



US00D393388S

**United States Patent** [19]  
**Chen**

[11] **Patent Number: Des. 393,388**  
[45] **Date of Patent: \*\*Apr. 14, 1998**

[54] **COMBINED WINE AND GLASS RACK**

4,401,221 8/1983 Suttles ..... 211/59.2  
4,527,694 7/1985 Bolt et al. .... 211/162 X  
4,700,849 10/1987 Wagner ..... D6/514 X

[76] **Inventor: Chih-Hong Chen, No. 120, Tai Kang Tsun, Liu Ying Hsiang, Tainan Hsien, Taiwan**

*Primary Examiner*—Pamela J. Burgess  
*Attorney, Agent, or Firm*—Bacon & Thomas

[\*\*] **Term: 14 Years**

[57] **CLAIM**

[21] **Appl. No.: 71,811**

The ornamental design for a combined wine and glass rack, as shown and described.

[22] **Filed: Jun. 6, 1997**

**DESCRIPTION**

[51] **LOC (6) Cl. .... 06-04**

[52] **U.S. Cl. .... D6/513; D6/468**

[58] **Field of Search .... D6/513, 512, 515, D6/514, 468, 467; 211/71, 86, 94.5, 113, 162, 60.1, 74, 13.1; D7/616, 618**

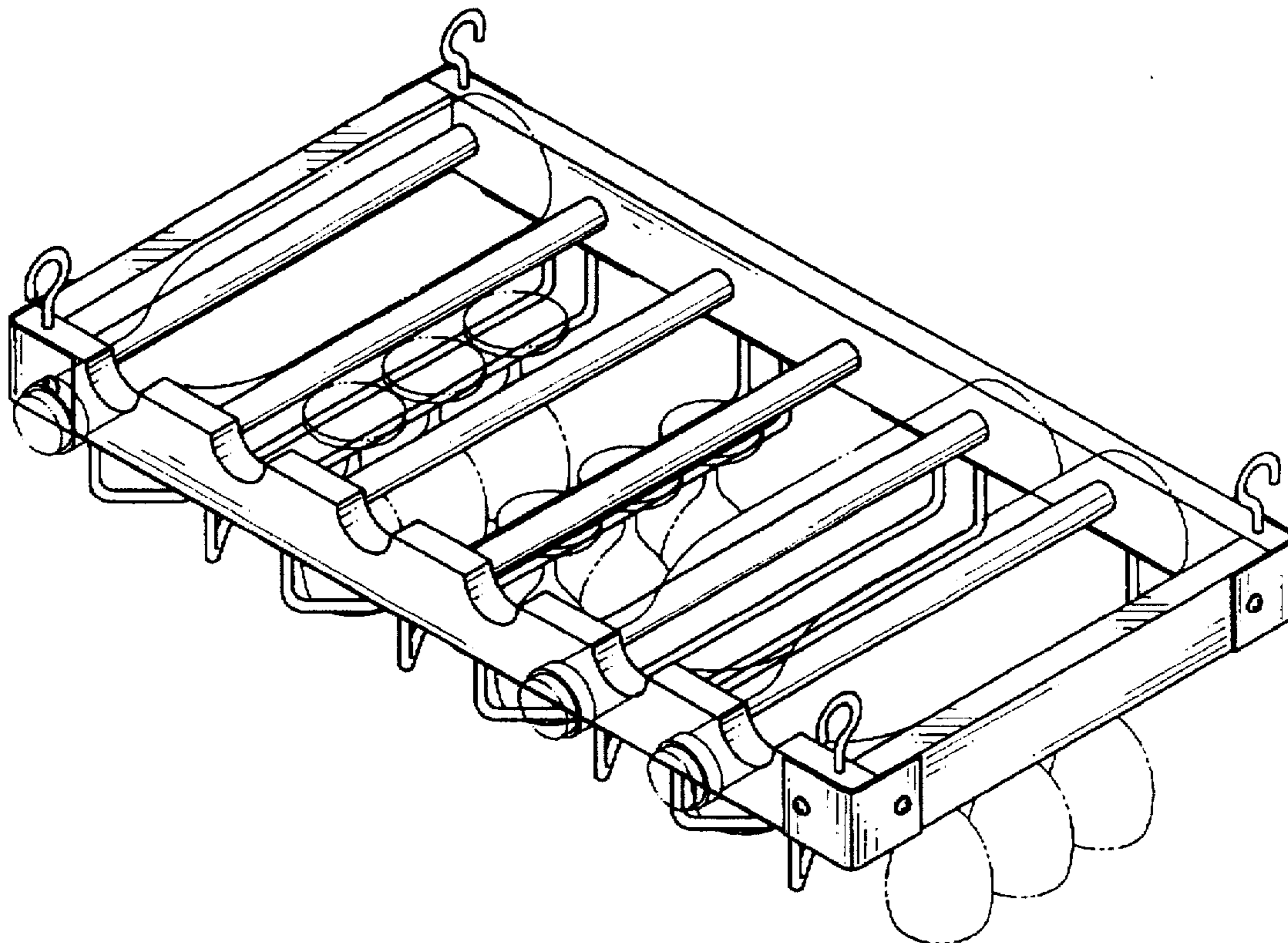
FIG. 1 is a front view of a combined wine and glass rack showing my new design;  
FIG. 2 is a left side view thereof;  
FIG. 3 is a right side view thereof;  
FIG. 4 is a top view thereof;  
FIG. 5 is a bottom view thereof;  
FIG. 6 is a rear view thereof;  
FIG. 7 is a top perspective view thereof; and,  
FIG. 8 is a top perspective view thereof, the broken lines representing wine bottles and glasses are for illustrative purposes only and form no part of the claimed design.

[56] **References Cited**

**U.S. PATENT DOCUMENTS**

- D. 288,156 2/1987 Nuncio ..... D6/468
- D. 307,990 5/1990 Funk ..... D6/513
- D. 308,924 7/1990 Van Noord ..... D6/513
- 2,772,787 12/1956 Lee ..... 211/75
- 3,214,031 10/1965 McCauley ..... D7/704
- 3,606,023 9/1971 Edmunds ..... D6/468 X

**1 Claim, 4 Drawing Sheets**



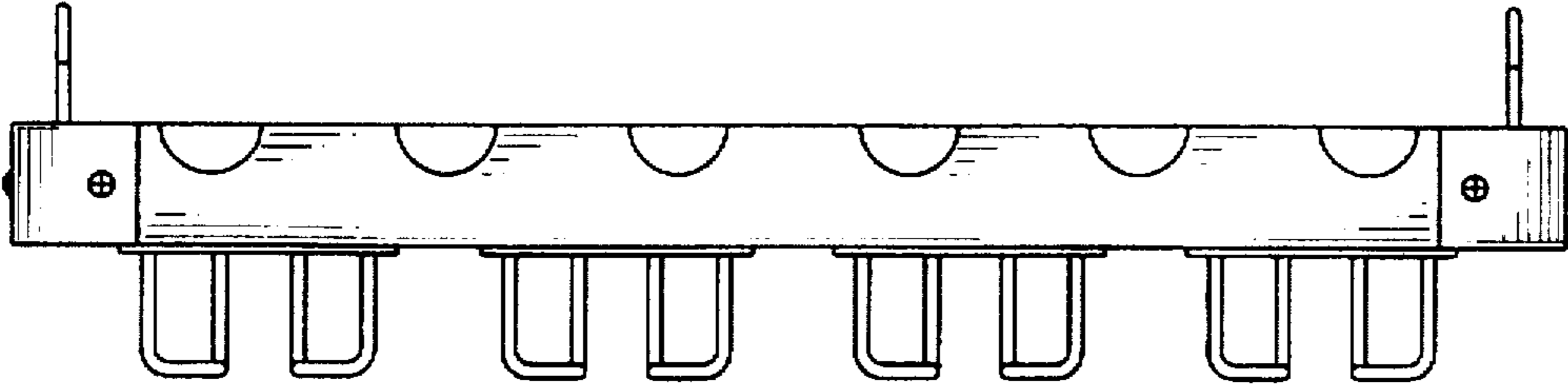


FIG. 1

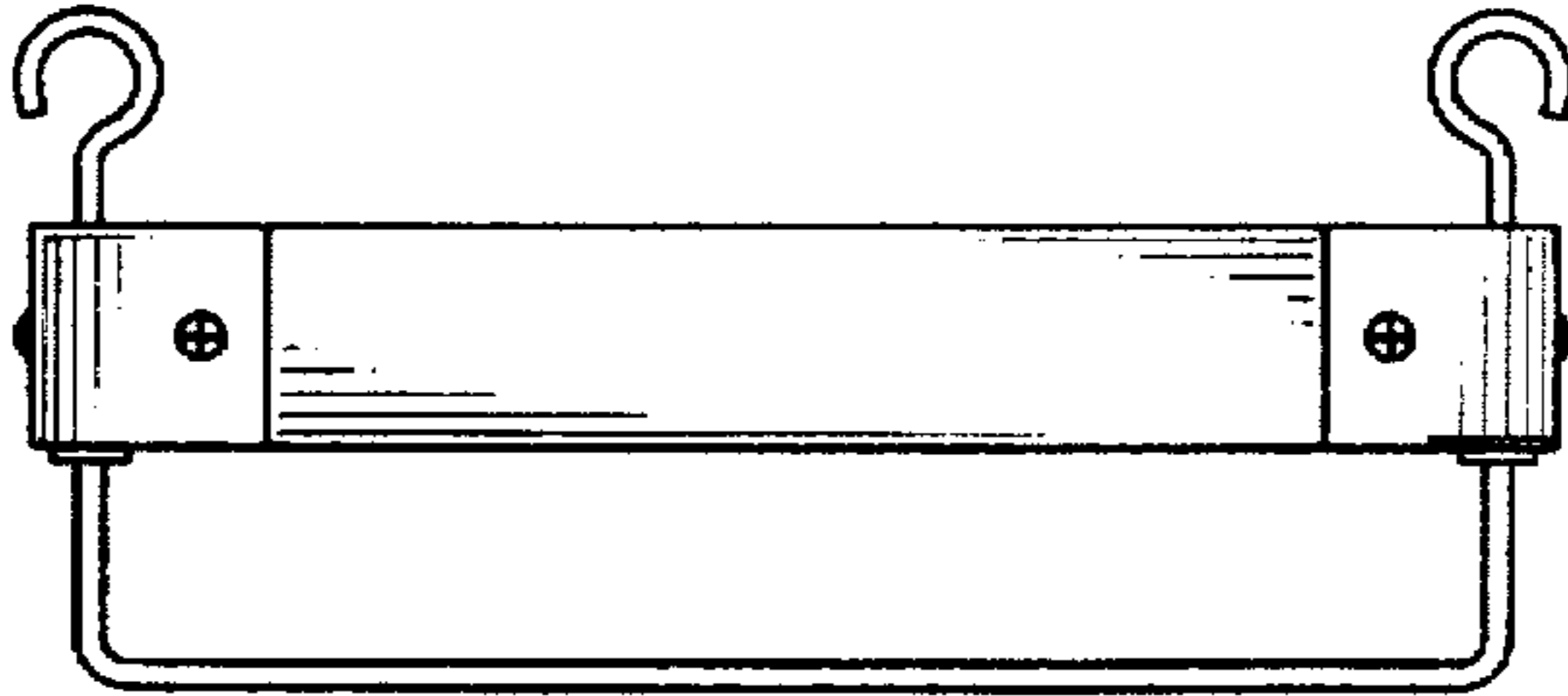


FIG. 2

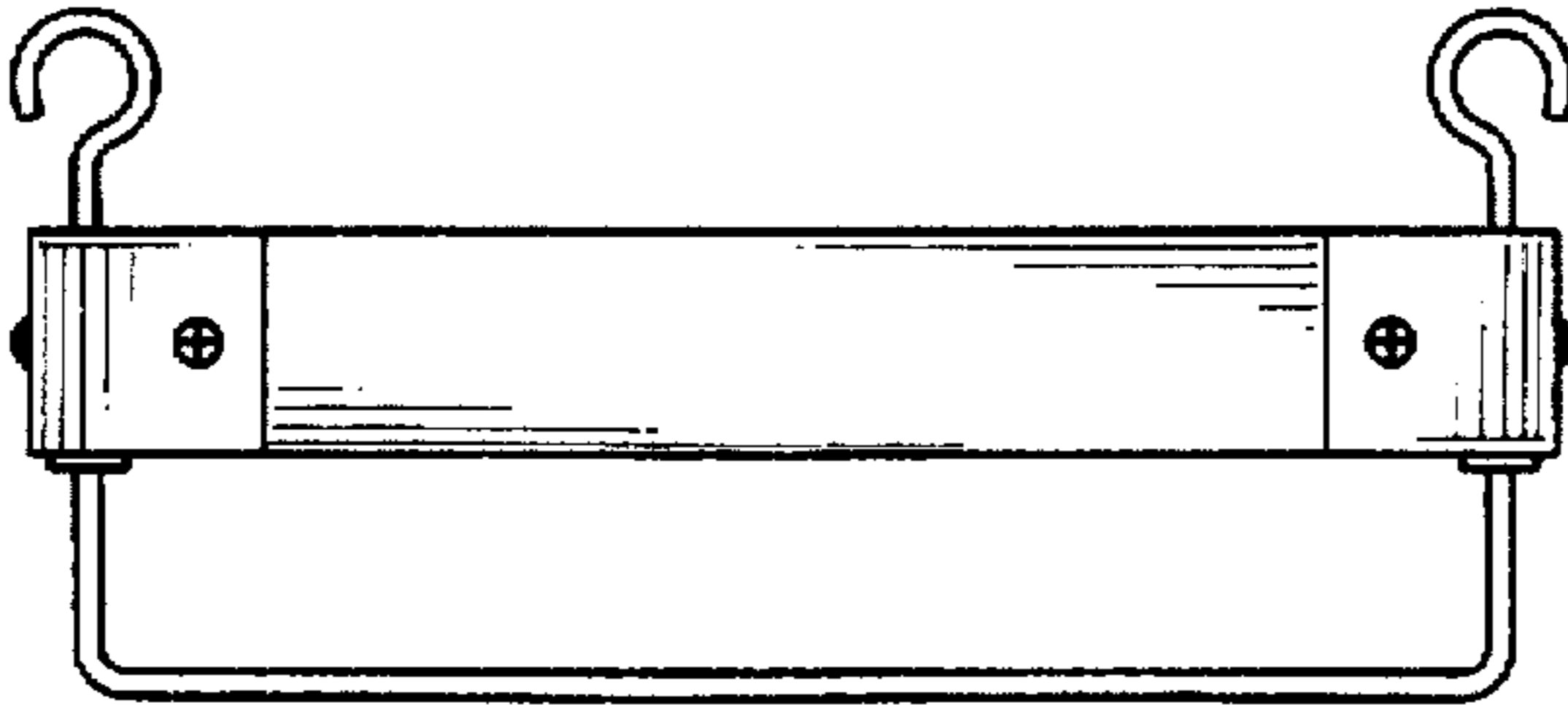


FIG. 3

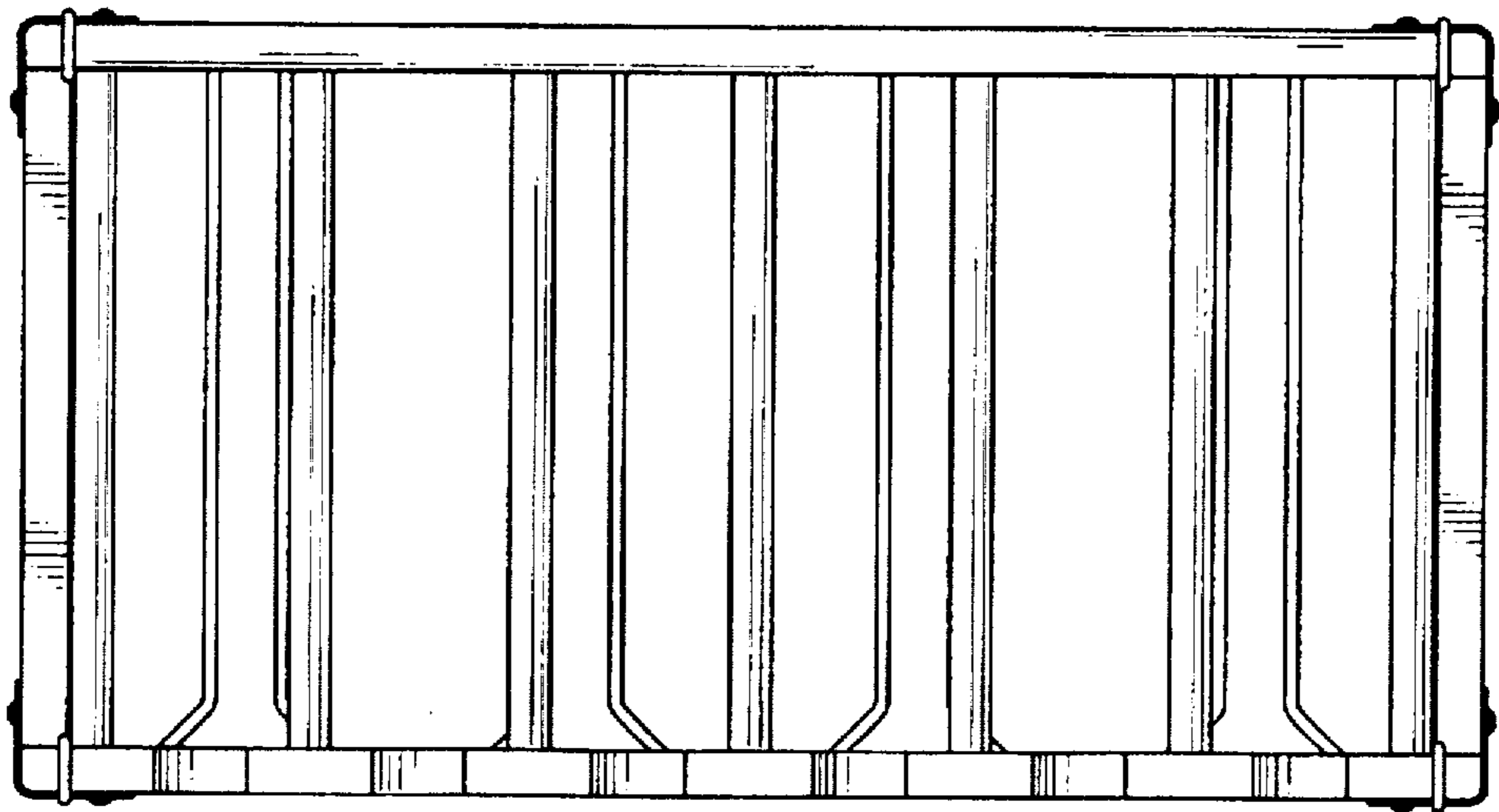


FIG. 4

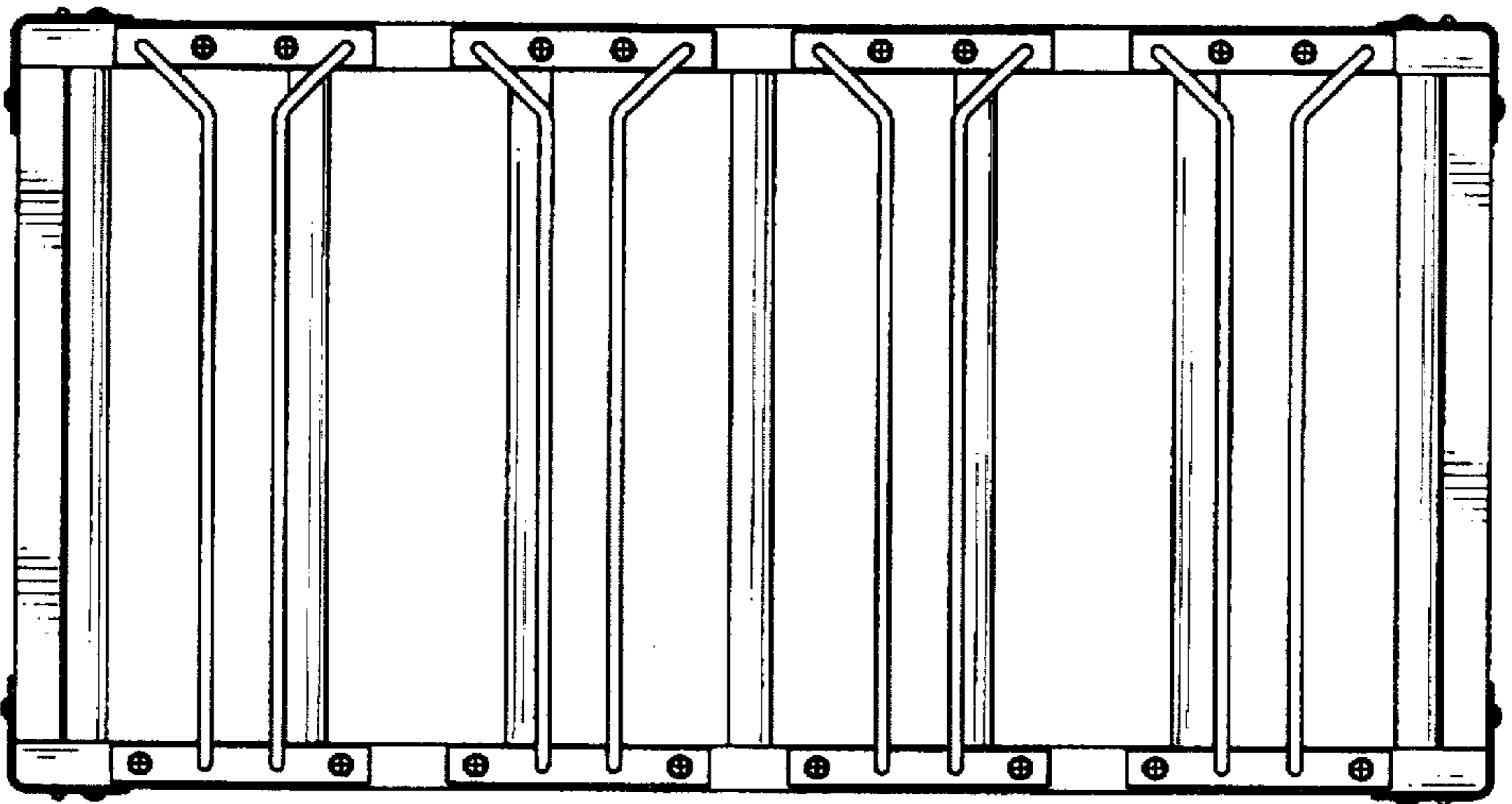


FIG. 5

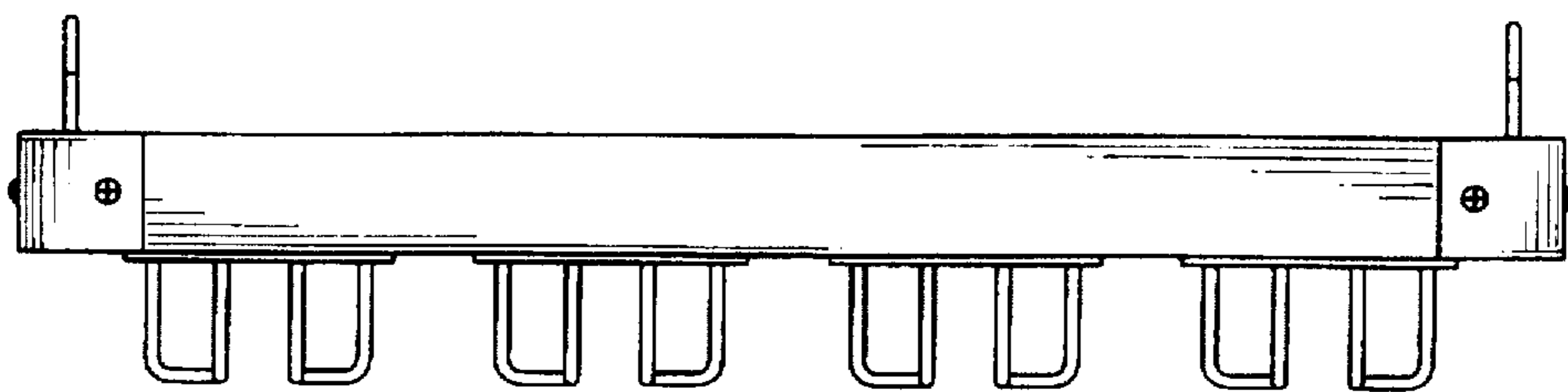


FIG. 6

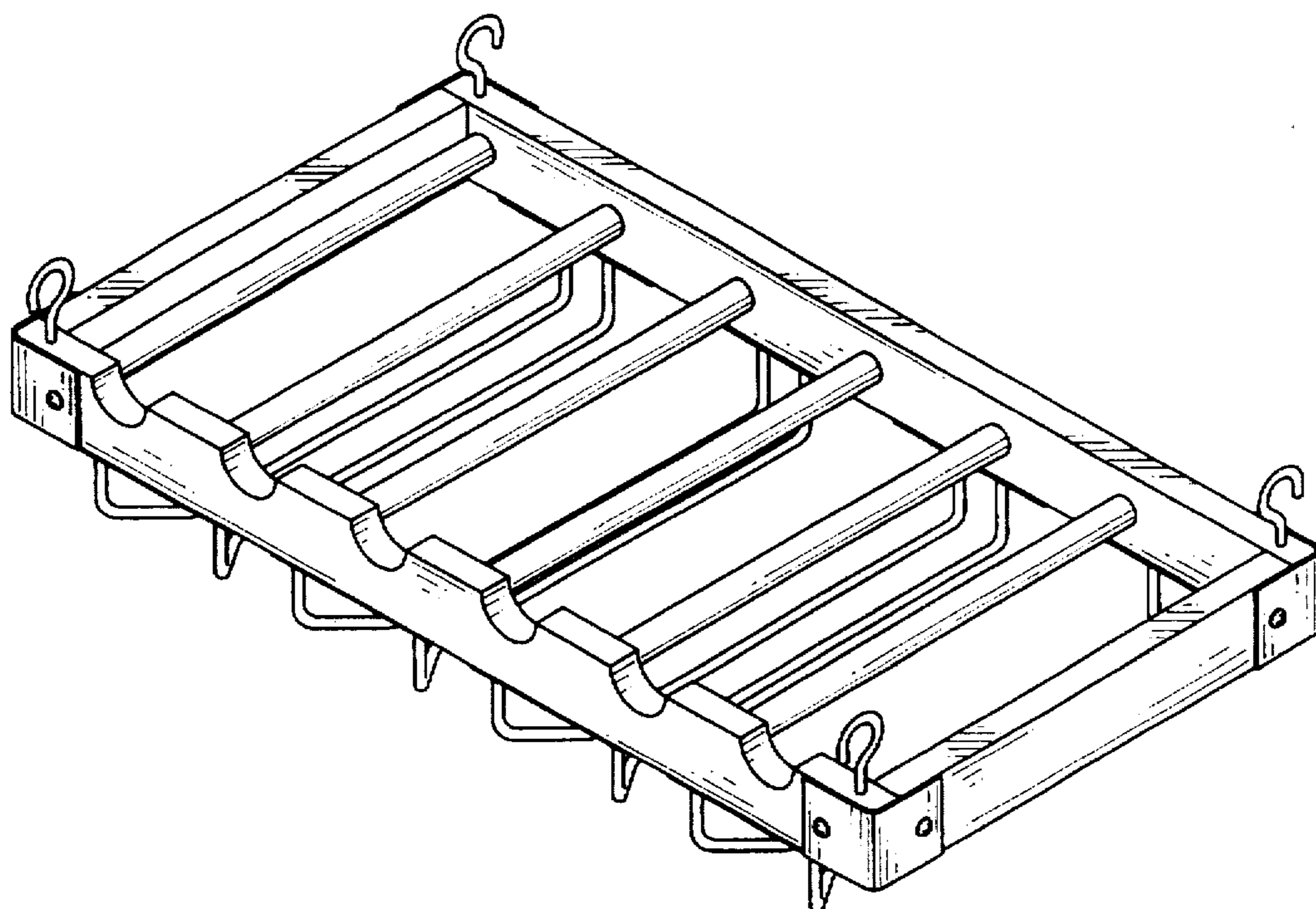


FIG. 7

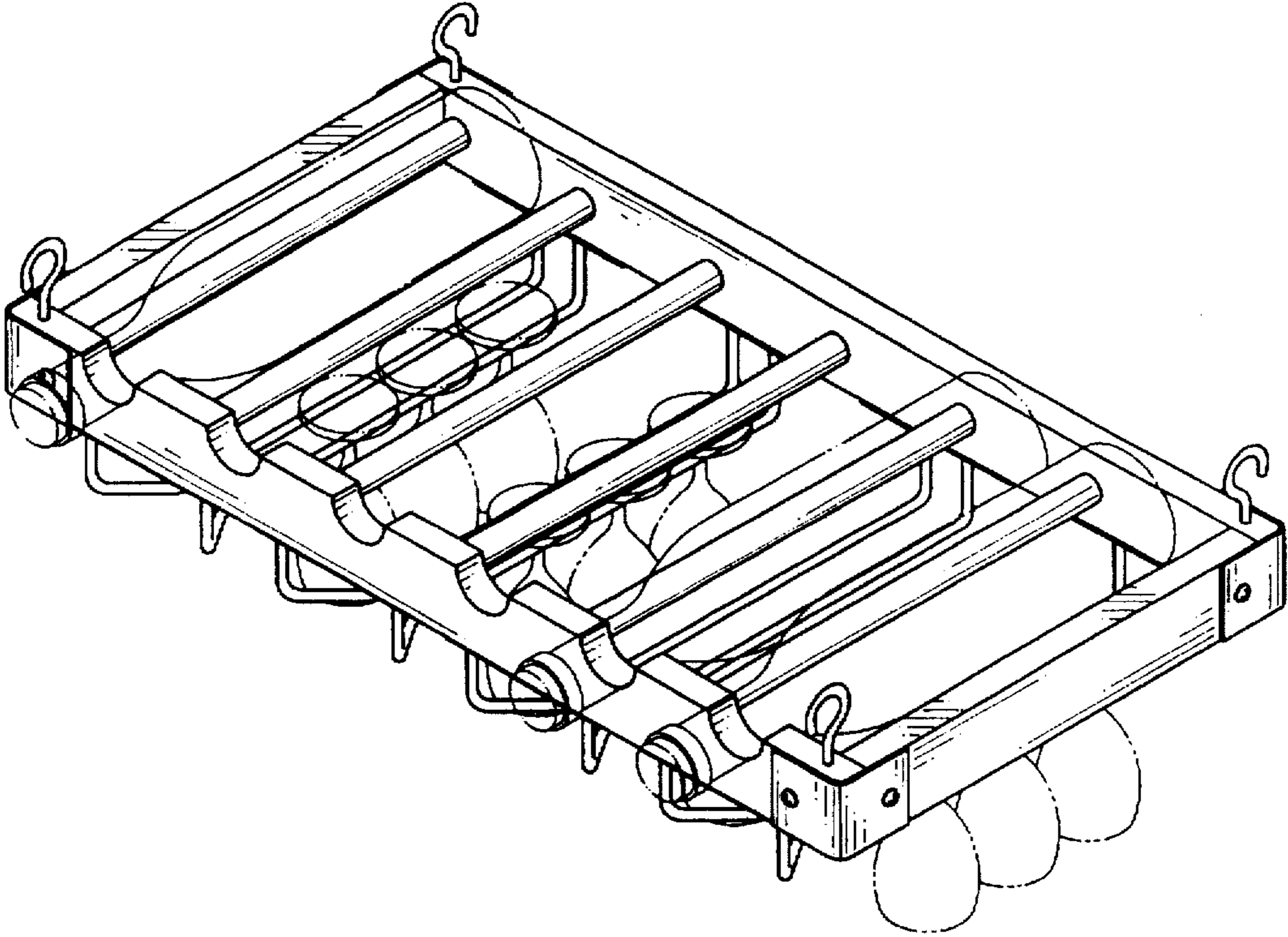


FIG. 8