



US00D393387S

# United States Patent [19]

[11] Patent Number: **Des. 393,387**

Gregor et al.

[45] Date of Patent: **\*\*Apr. 14, 1998**

[54] **TOILET TANK MOUNTED MULTIPURPOSE CADDY**

[75] Inventors: **Joan C. Gregor**, Woodland Hills;  
**Maureen A. Thurston-Chartraw**,  
Sierra Madre, both of Calif.

[73] Assignee: **Practical Products, LLC**, Pasadena,  
Calif.

[\*\*] Term: **14 Years**

[21] Appl. No.: **68,896**

[22] Filed: **Apr. 9, 1997**

[51] LOC (6) Cl. .... **08-08**

[52] U.S. Cl. .... **D6/513; D6/566; D6/525**

[58] Field of Search ..... D6/513, 514, 524,  
D6/525, 553, 566, 574; 211/13, 49.1, 60.1,  
70.6, 71, 74-75, 86-88, 90, 119, 128, 134,  
181; 248/108-109, 175-176

D. 351,750	10/1994	Sweeney	.....	D6/525
D. 360,759	8/1995	Emery	.	
D. 362,780	10/1995	Hampshire	.	
D. 367,790	3/1996	Munoz et al.	.....	D6/566 X
D. 376,941	12/1996	Munoz et al.	.....	D6/525
D. 376,942	12/1996	Munoz	.....	D6/525
2,672,988	3/1954	Johnson	.	
3,789,996	2/1974	Stroh	.....	211/119 X
3,986,649	10/1976	Heimstra	.	
4,040,522	8/1977	Vickery	.	
4,146,138	3/1979	Davis	.	
4,385,733	5/1983	O'keefe	.	
4,711,419	12/1987	Polosky	.	
4,848,620	7/1989	Chap	.	
5,348,168	9/1994	Emery	.	
5,526,943	6/1996	Thompson	.	

Primary Examiner—Brian N. Vinson

### [57] CLAIM

The ornamental design for a toilet tank mounted multipurpose caddy, as shown.

### DESCRIPTION

FIG. 1 is a perspective view of the top, front and left side of a toilet tank mounted multipurpose caddy showing my new design;

FIG. 2 is a top plan view;

FIG. 3 is a front elevational view thereof;

FIG. 4 is a right side elevational view thereof;

FIG. 5 is a rear elevation view thereof; and,

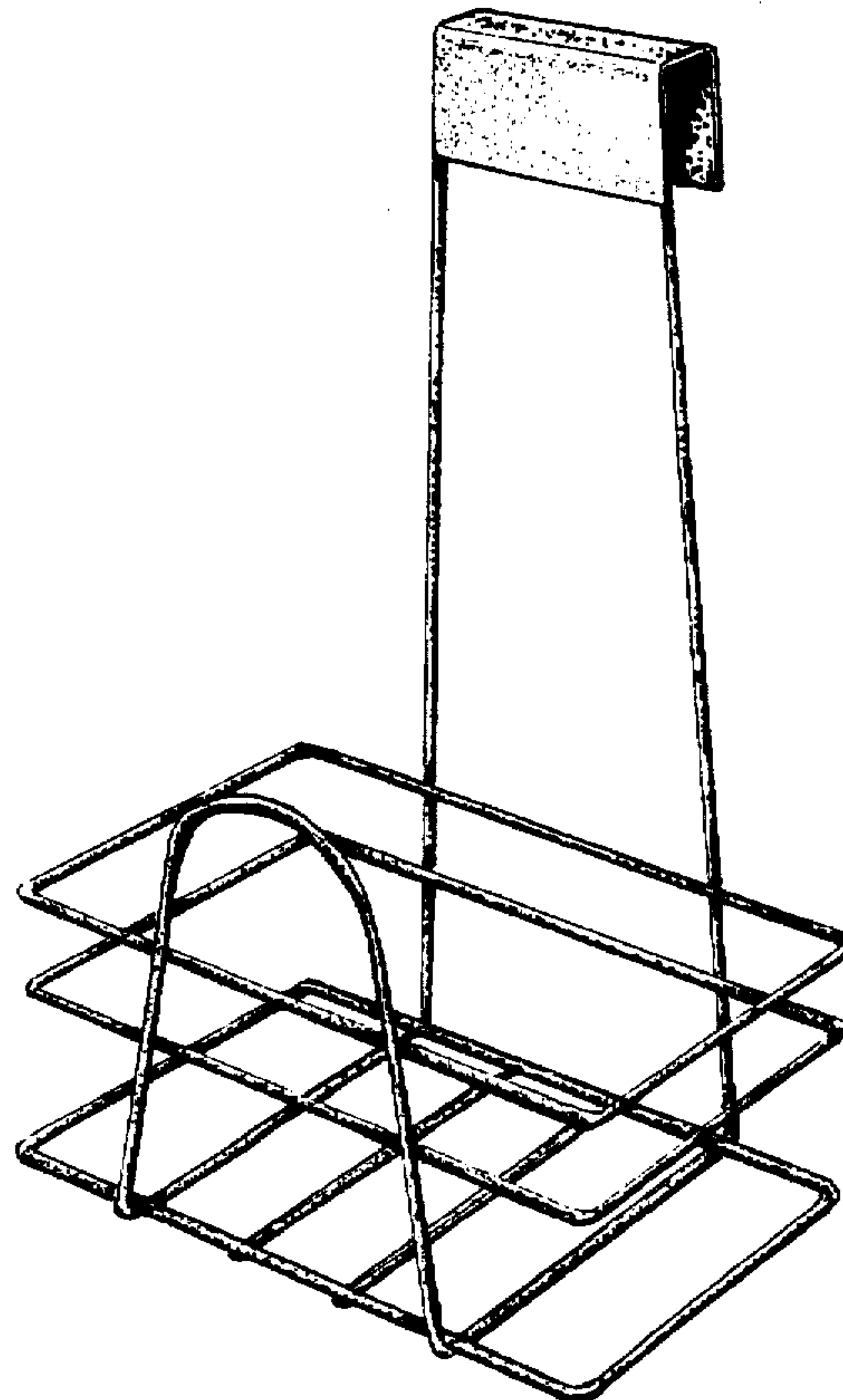
FIG. 6 is a bottom plan view thereof.

**1 Claim, 3 Drawing Sheets**

### References Cited

#### U.S. PATENT DOCUMENTS

D. 284,721	7/1986	Carter	.	
D. 285,509	9/1986	Sussman	.....	D6/525
D. 293,182	12/1987	Carter	.	
D. 302,223	7/1989	Joss et al.	.	
D. 309,178	7/1990	Lowder	.	
D. 322,002	12/1991	Emery	.	
D. 332,340	1/1993	Schumacher	.	
D. 347,512	5/1994	Yoshikawa et al.	.	
D. 347,513	5/1994	Yoshikawa et al.	.	



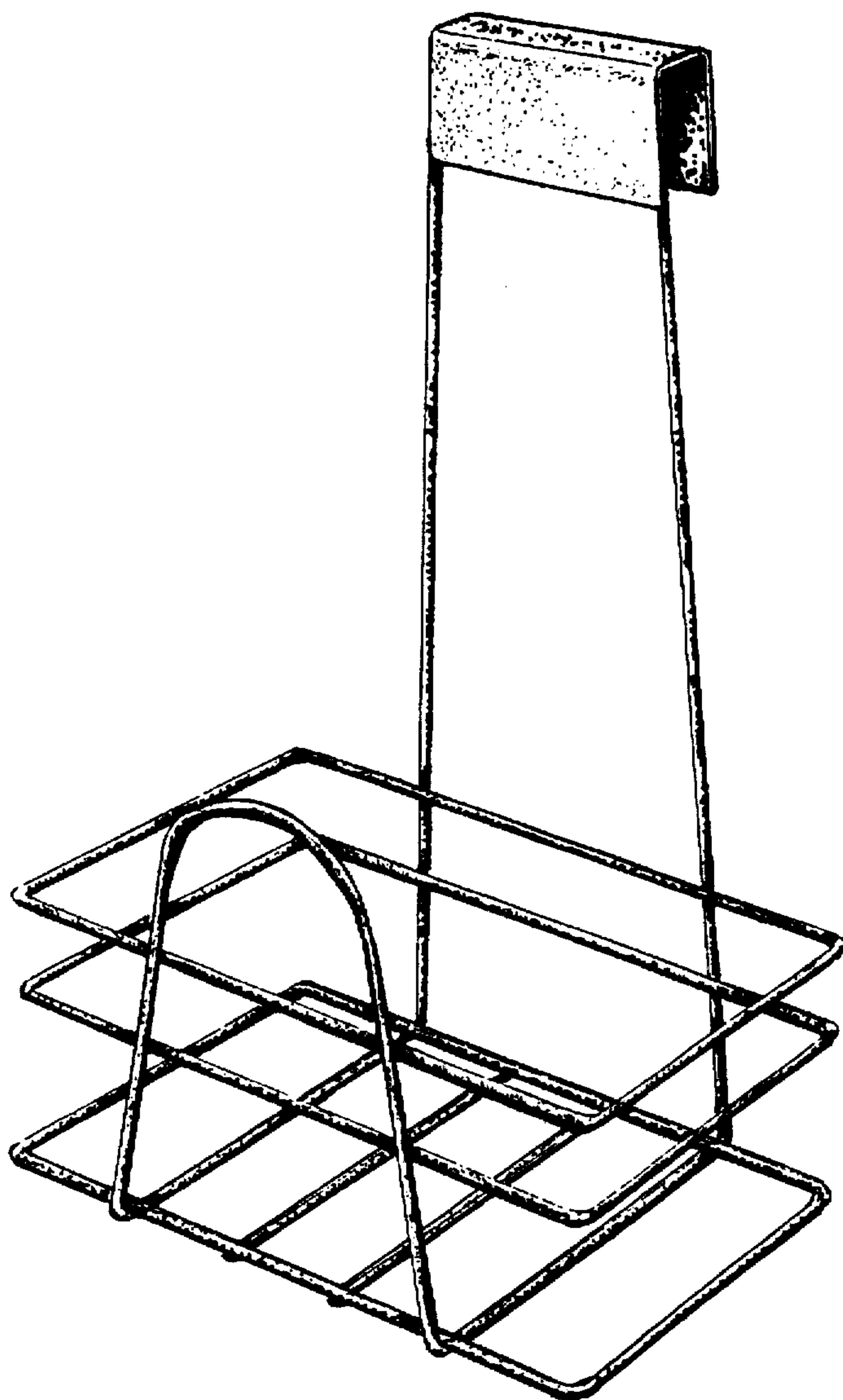


FIG. 1

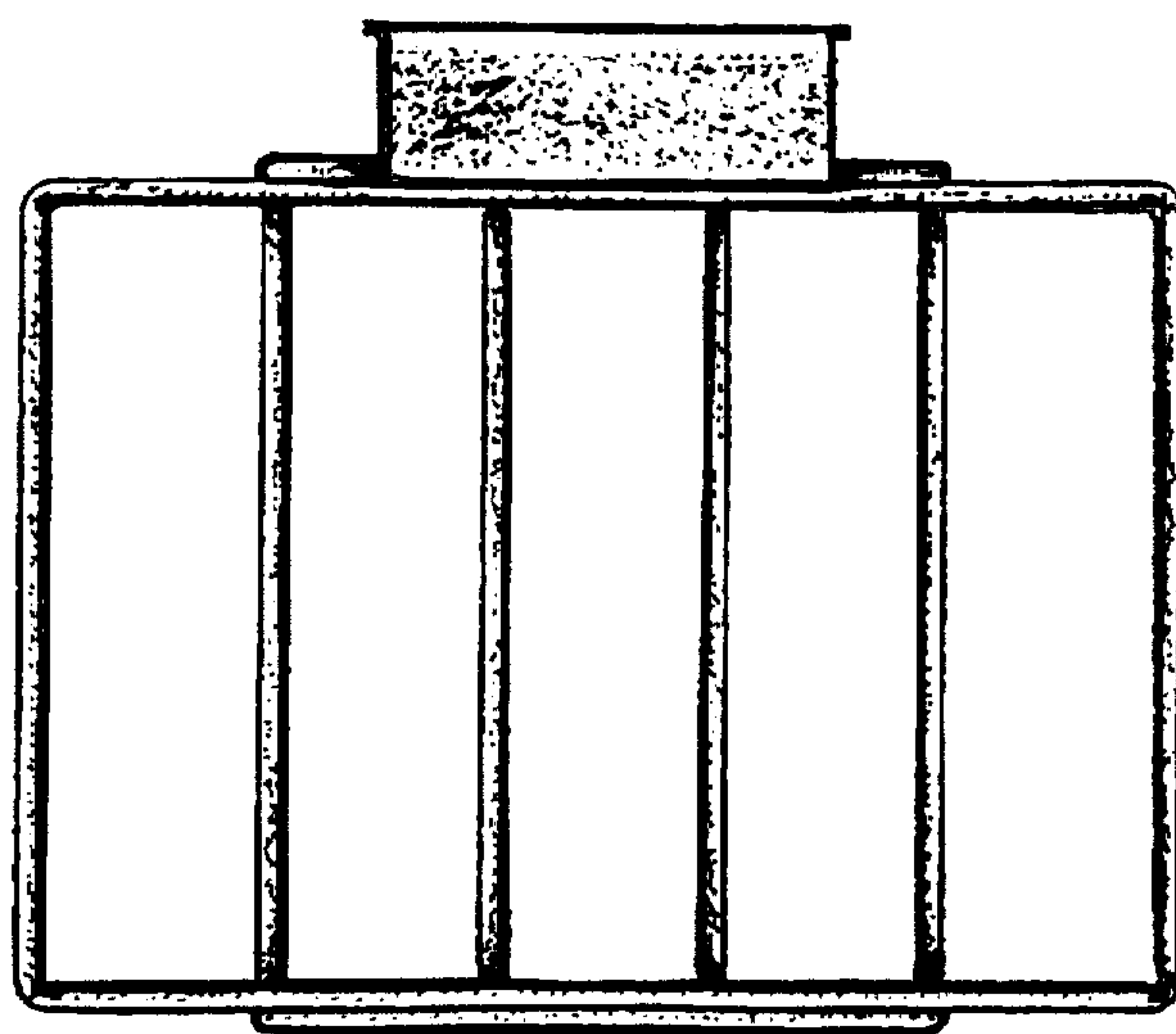


FIG. 2

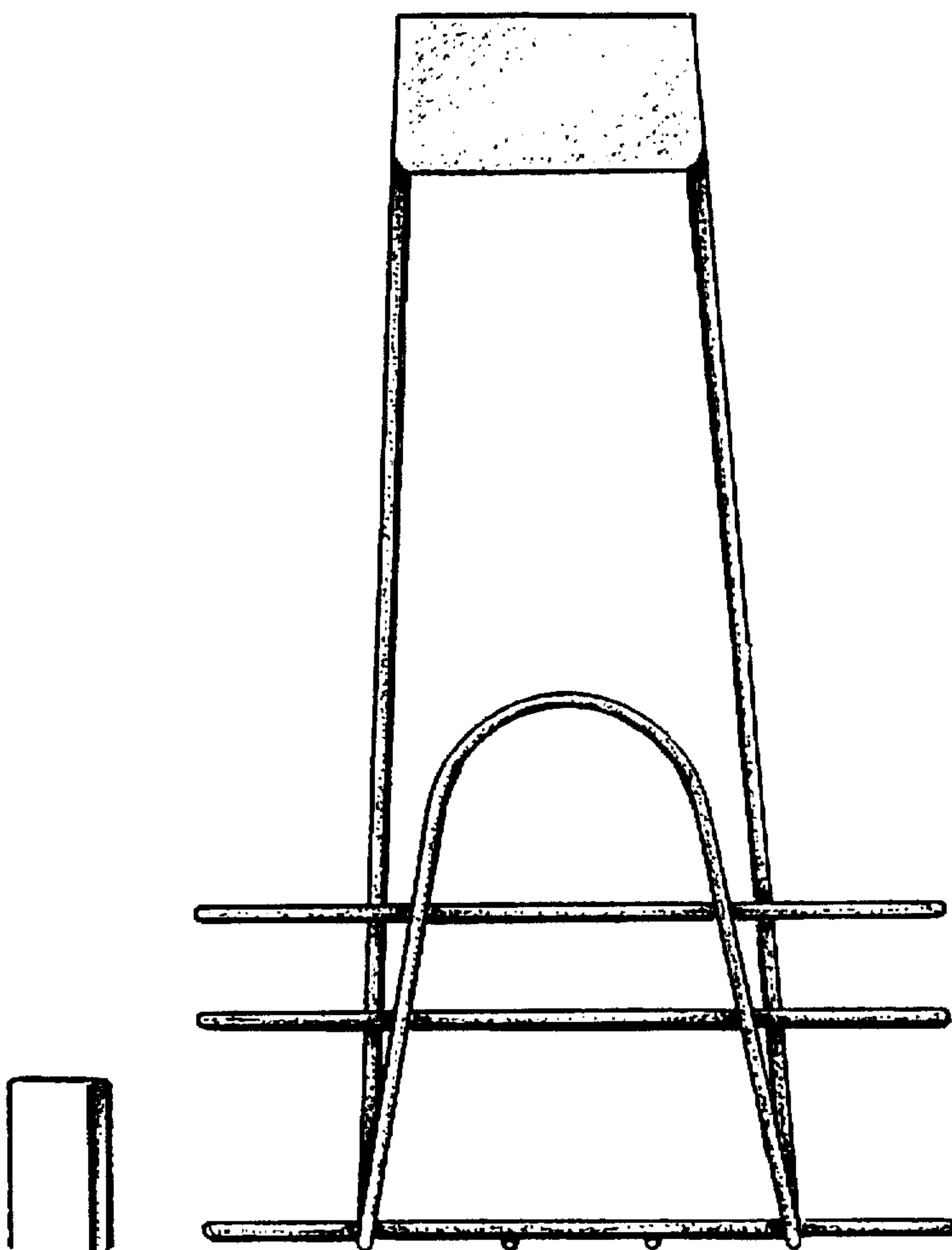


FIG. 3

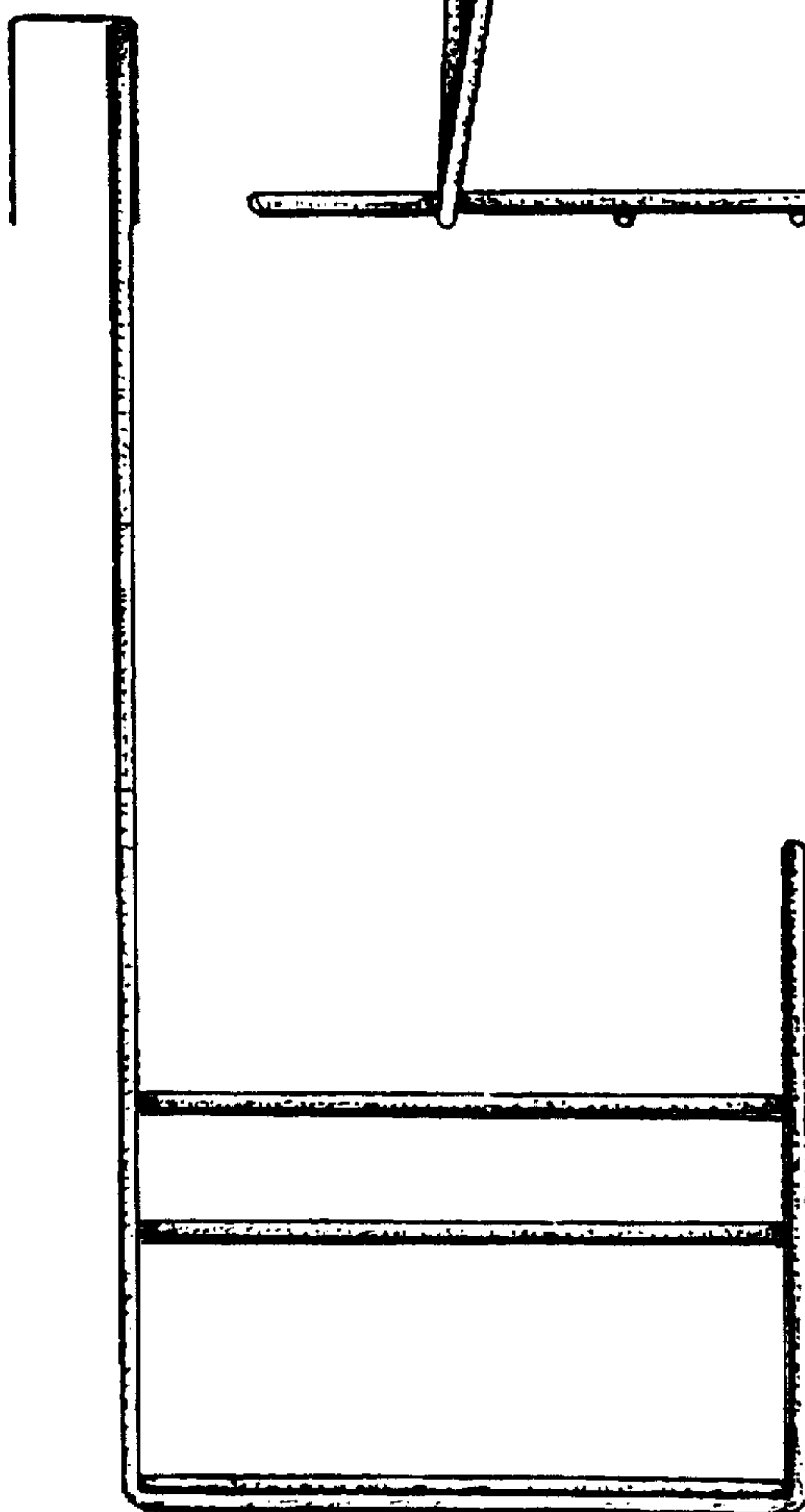


FIG. 4

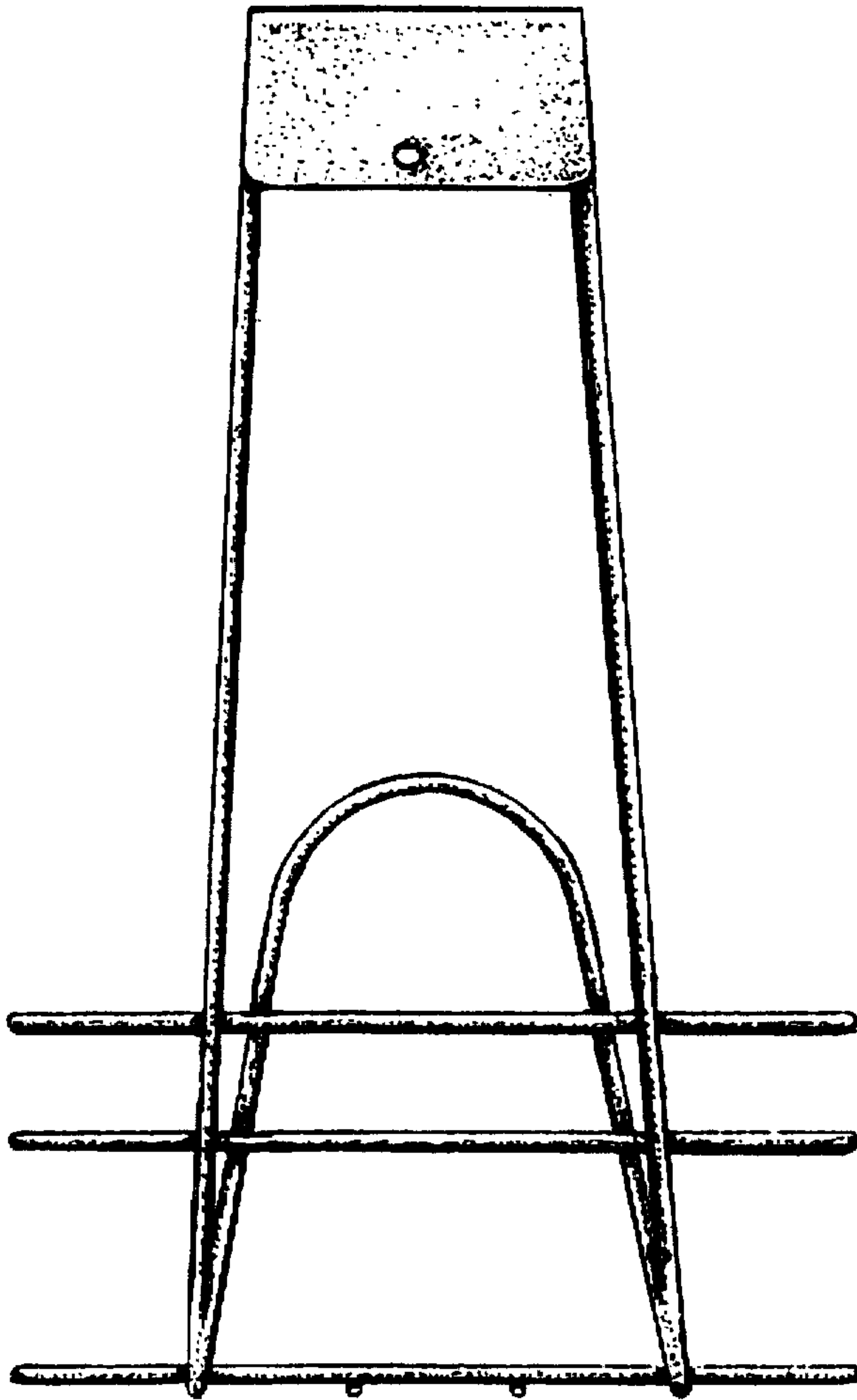


FIG. 5

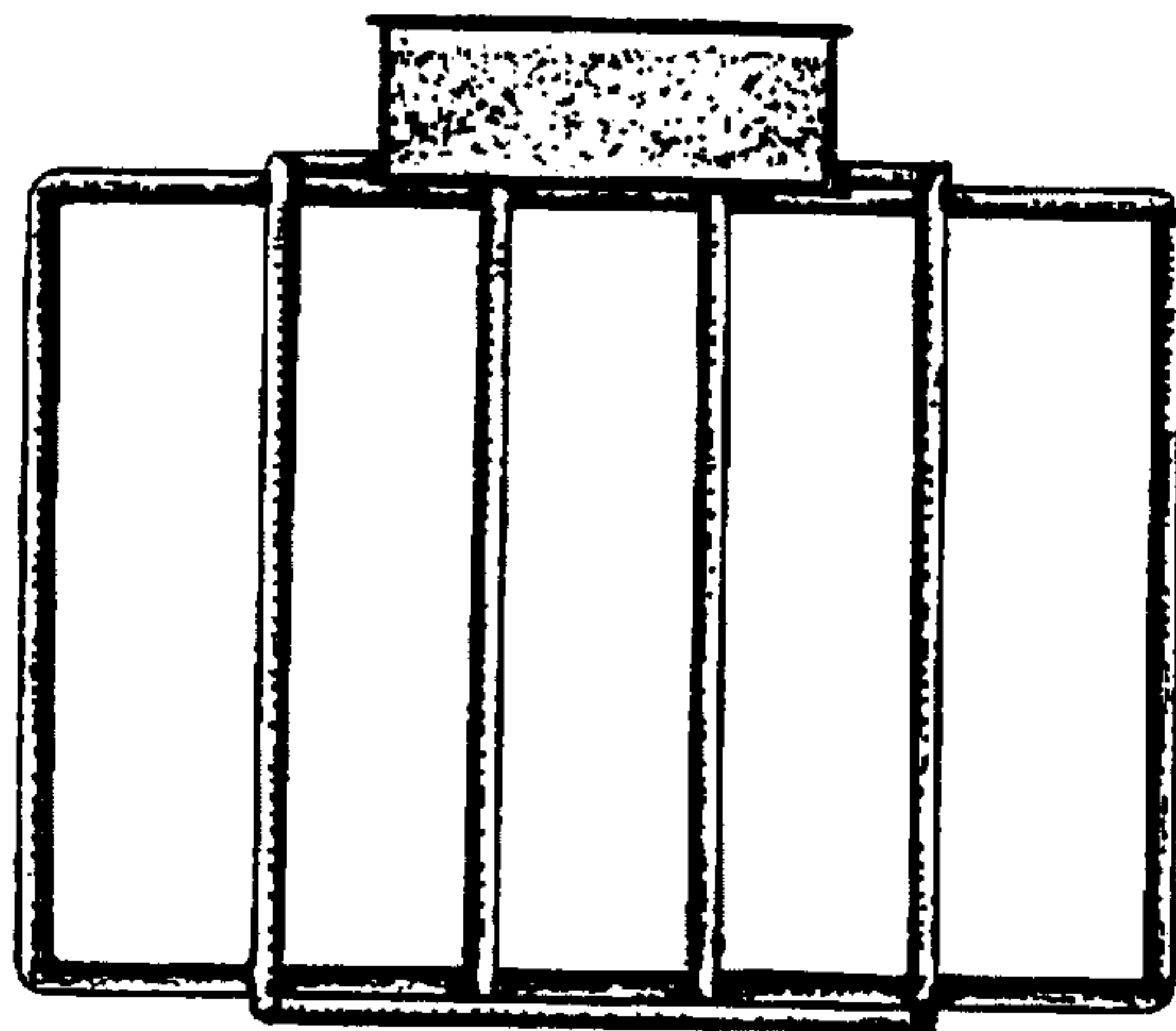


FIG. 6