



US00D393384S

# United States Patent [19]

Tedesco et al.

[11] Patent Number: **Des. 393,384**

[45] Date of Patent: **\*\*Apr. 14, 1998**

[54] **PAIR OF CHAIR ARMS**

[75] Inventors: **Romeo Tedesco, Weston; Jocelyn Beaulieu**, Newmarket, both of Canada

[73] Assignee: **Global Upholstery Company**, Downsview, Canada

[\*\*] Term: **14 Years**

[21] Appl. No.: **50,893**

[22] Filed: **Feb. 29, 1996**

D. 269,743 7/1983 Müller-Deisig ..... D6/366  
 D. 274,769 7/1984 Klier ..... D6/366  
 D. 289,236 4/1987 Bräuning ..... D6/366  
 D. 312,002 11/1990 Carter et al. .... D6/366  
 D. 345,874 4/1994 Muller ..... D6/501  
 D. 366,582 1/1996 Wingerter ..... D6/501  
 D. 368,608 4/1996 Stirling et al. .... D6/500  
 D. 371,475 7/1996 Tedesco ..... D6/501

*Primary Examiner*—Gary D. Watson  
*Attorney, Agent, or Firm*—Philip Mendes da Costa; Bereskin & Parr

### Related U.S. Application Data

[63] Continuation-in-part of Ser. No. 518,344, Aug. 23, 1995.

[51] **LOC (6) Cl.** ..... **06-06**

[52] **U.S. Cl.** ..... **D6/501; D6/366**

[58] **Field of Search** ..... D6/334, 364, 365, D6/366, 367, 371, 372, 373, 379, 500, 501, 502; 297/471.2

### References Cited

#### U.S. PATENT DOCUMENTS

D. 239,792 5/1976 Alessandri ..... D6/366

### [57] CLAIM

The ornamental design for a pair of chair arms, as shown and described.

### DESCRIPTION

FIG. 1 is a prospective view from the front and to one side of the arms of a chair. The chair is shown in dotted outline and does not form part of the design; FIG. 2 is a front elevational view of the arms of FIG. 1; FIG. 3 is a side elevational view of an arm of FIG. 1, the opposite arm being a mirror image thereof; FIG. 4 is a rear elevational view of the arms of FIG. 1; and FIG. 5 is a top plan view of the arms of FIG. 1.

**1 Claim, 2 Drawing Sheets**

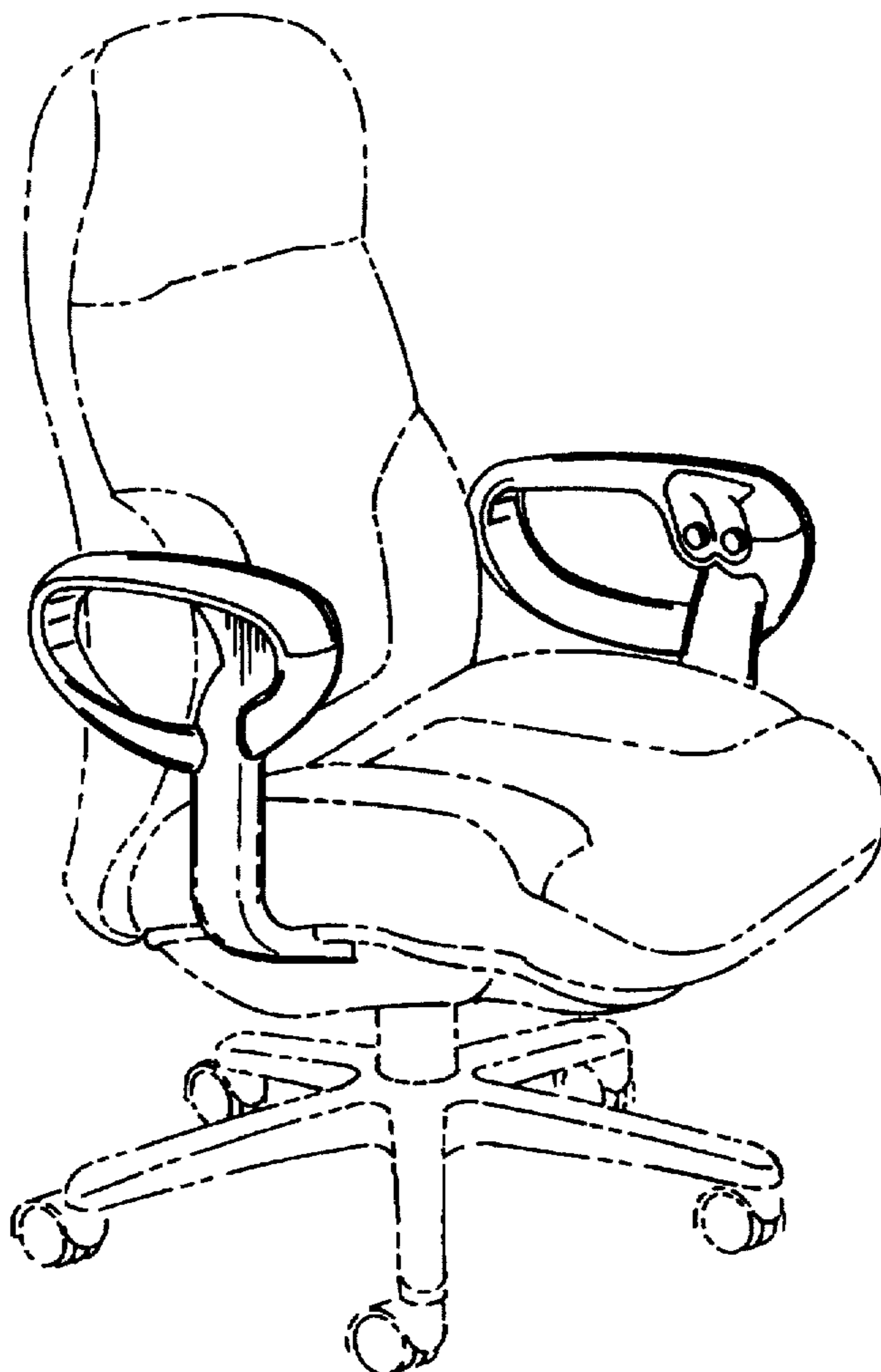




FIG. 1.

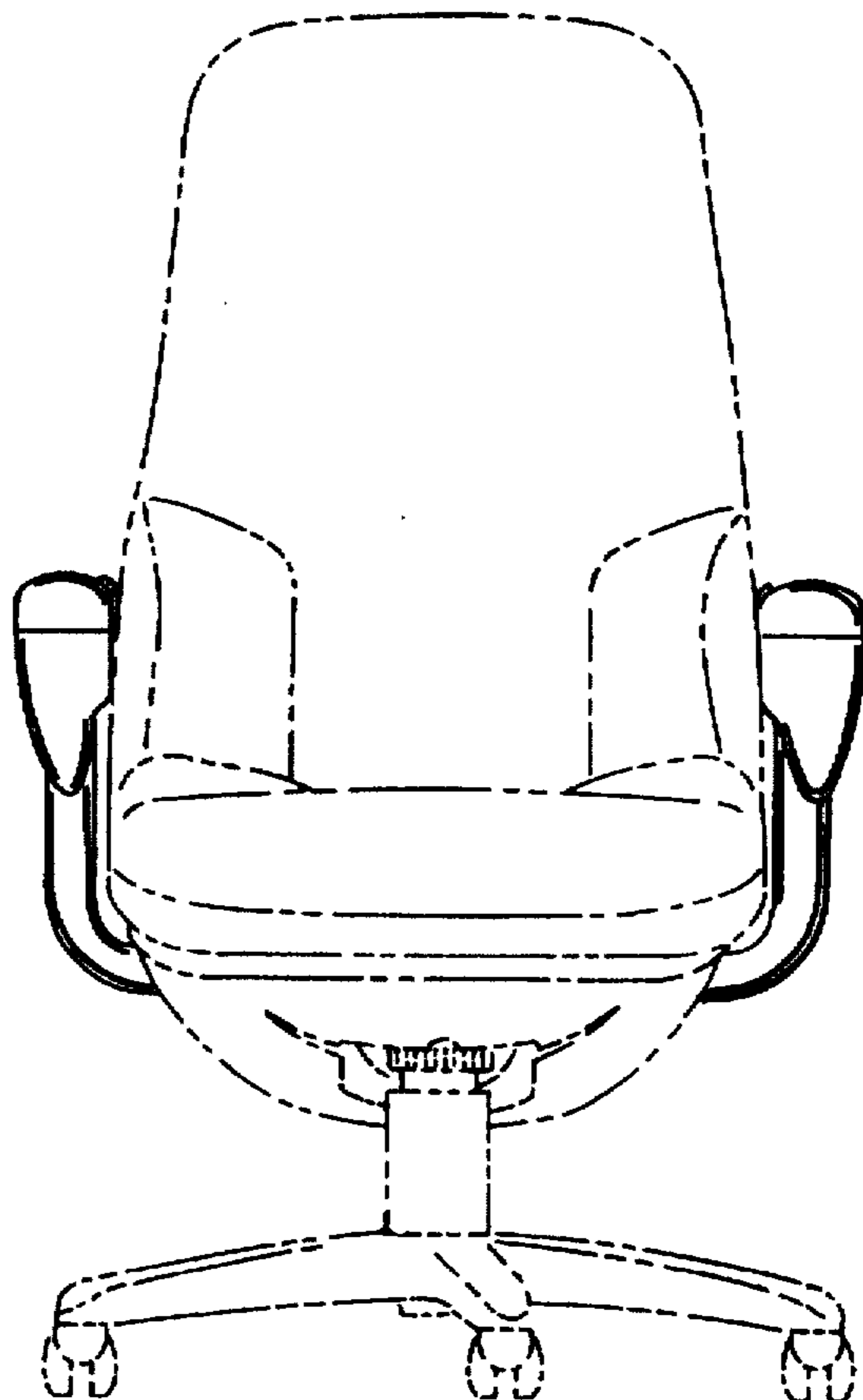


FIG. 2.

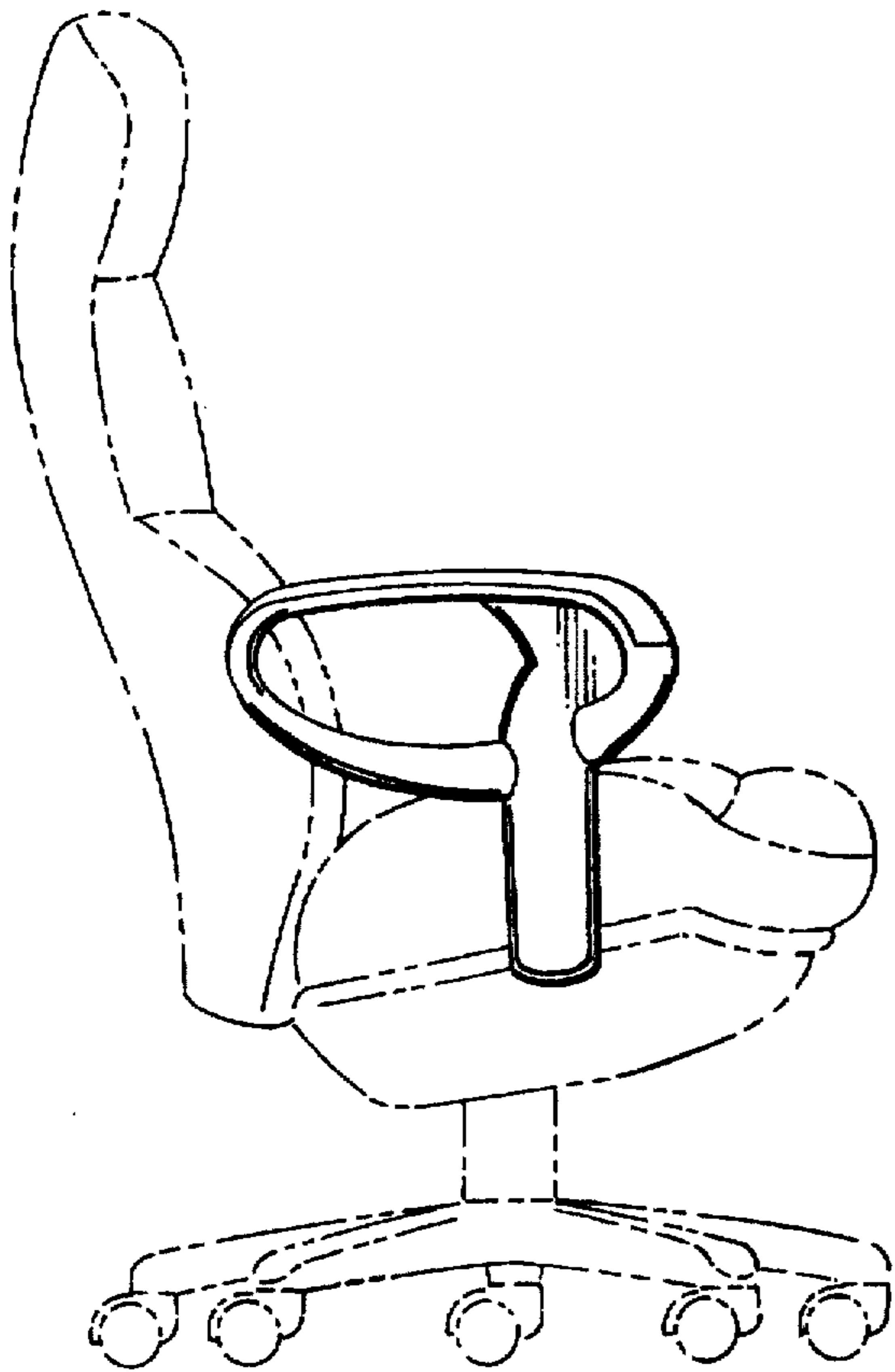


FIG. 3.

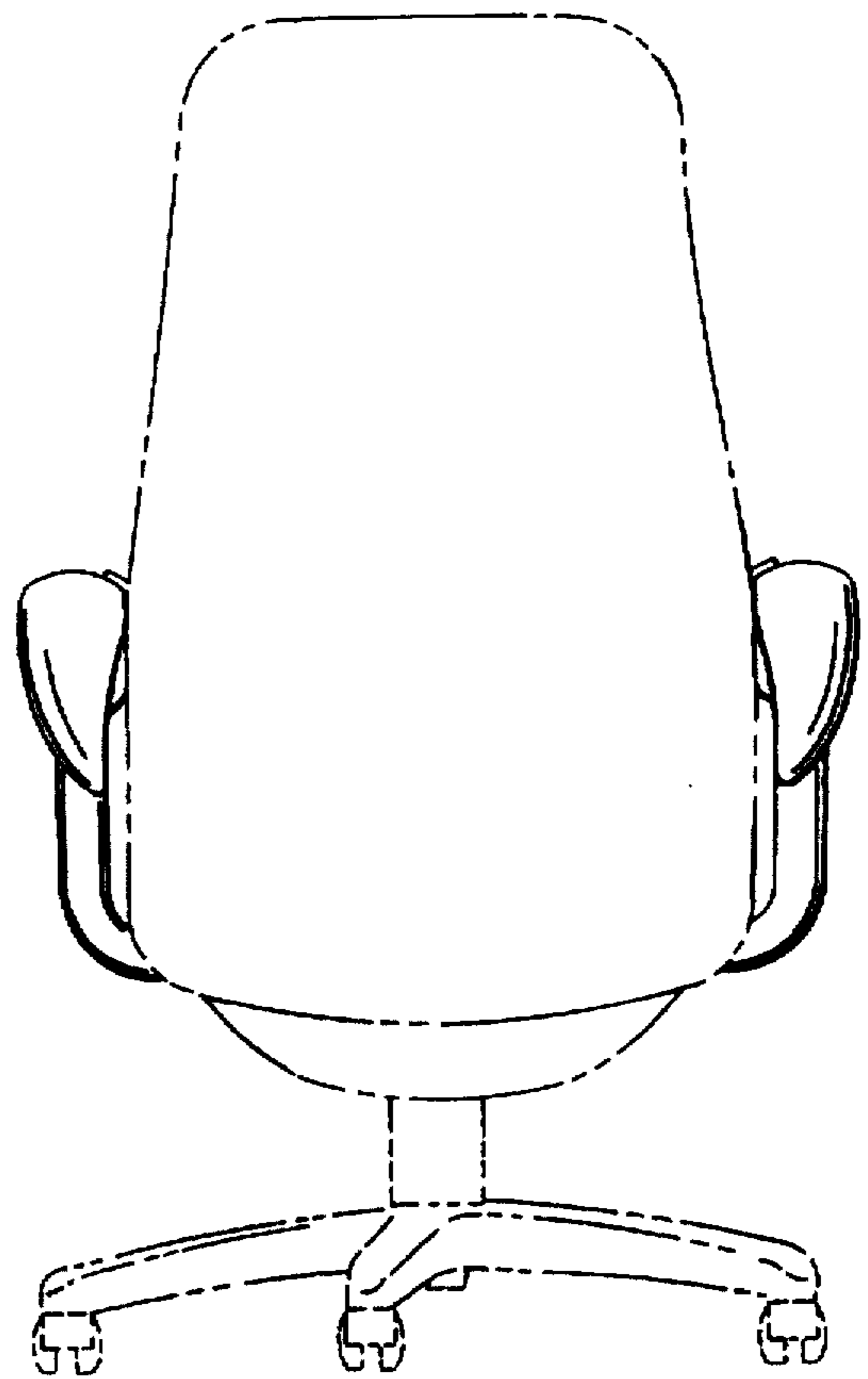


FIG. 4.

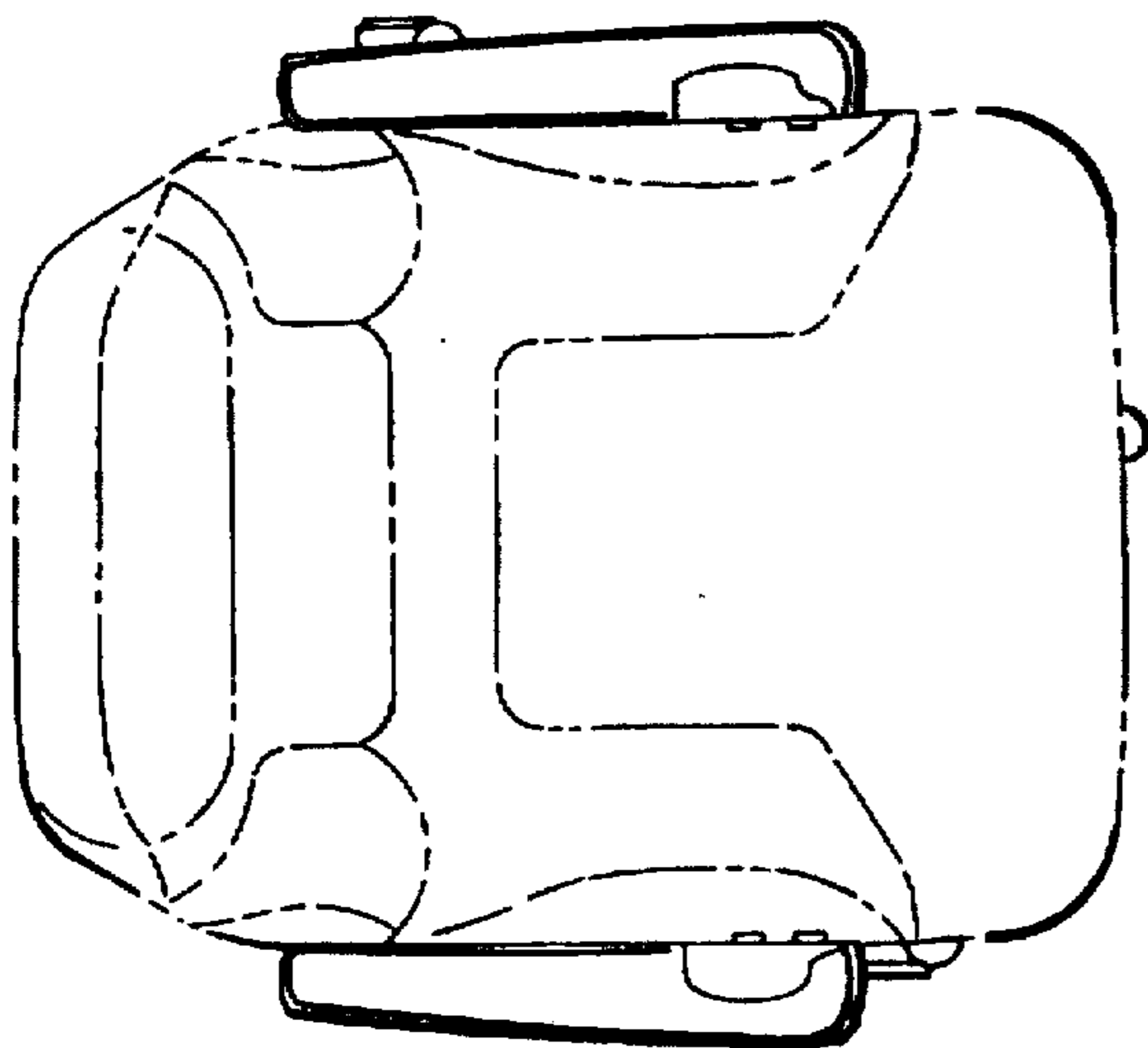


FIG. 5.