



US00D393382S

United States Patent [19]
Rutter et al.

[11] **Patent Number: Des. 393,382**
[45] **Date of Patent: **Apr. 14, 1998**

[54] **ADJUSTABLE HEIGHT COMPUTER WORKSTATION**

[75] **Inventors: Bryce Rutter, St. Louis; Eric Justin Price, Webster Groves; Randall B. Kahn, St. Louis, all of Mo.; David Dickey, Conway, Ark.**

[73] **Assignee: Tiffany Industries, Inc., St. Louis, Mo.**

[**] **Term: 14 Years**

[21] **Appl. No.: 55,241**

[22] **Filed: Jun. 3, 1996**

[51] **LOC (6) Cl. 06-04**

[52] **U.S. Cl. D6/474**

[58] **Field of Search D6/474, 429, 430, D6/431, 486; D14/102, 103; 108/5, 6, 7, 10, 59, 92, 102, 150, 106, 108; 248/917, 919-923**

[56] **References Cited**

U.S. PATENT DOCUMENTS

D. 280,478	9/1985	Stephens	D6/477
D. 323,436	1/1992	Harrison	D6/430 X
D. 343,305	1/1994	Ng et al.	D6/430
D. 344,420	2/1994	Rodriquez	D6/474
4,365,561	12/1982	Tellier et al.	108/7
4,567,835	2/1986	Reese et al.	108/7

OTHER PUBLICATIONS

Advertising brochures entitled "Tiffany Sit/Stand Workstation" copyright **** undated.

Primary Examiner—James Gandy
Assistant Examiner—Linda Brooks
Attorney, Agent, or Firm—Cohn, Powell & Hind, P.C.

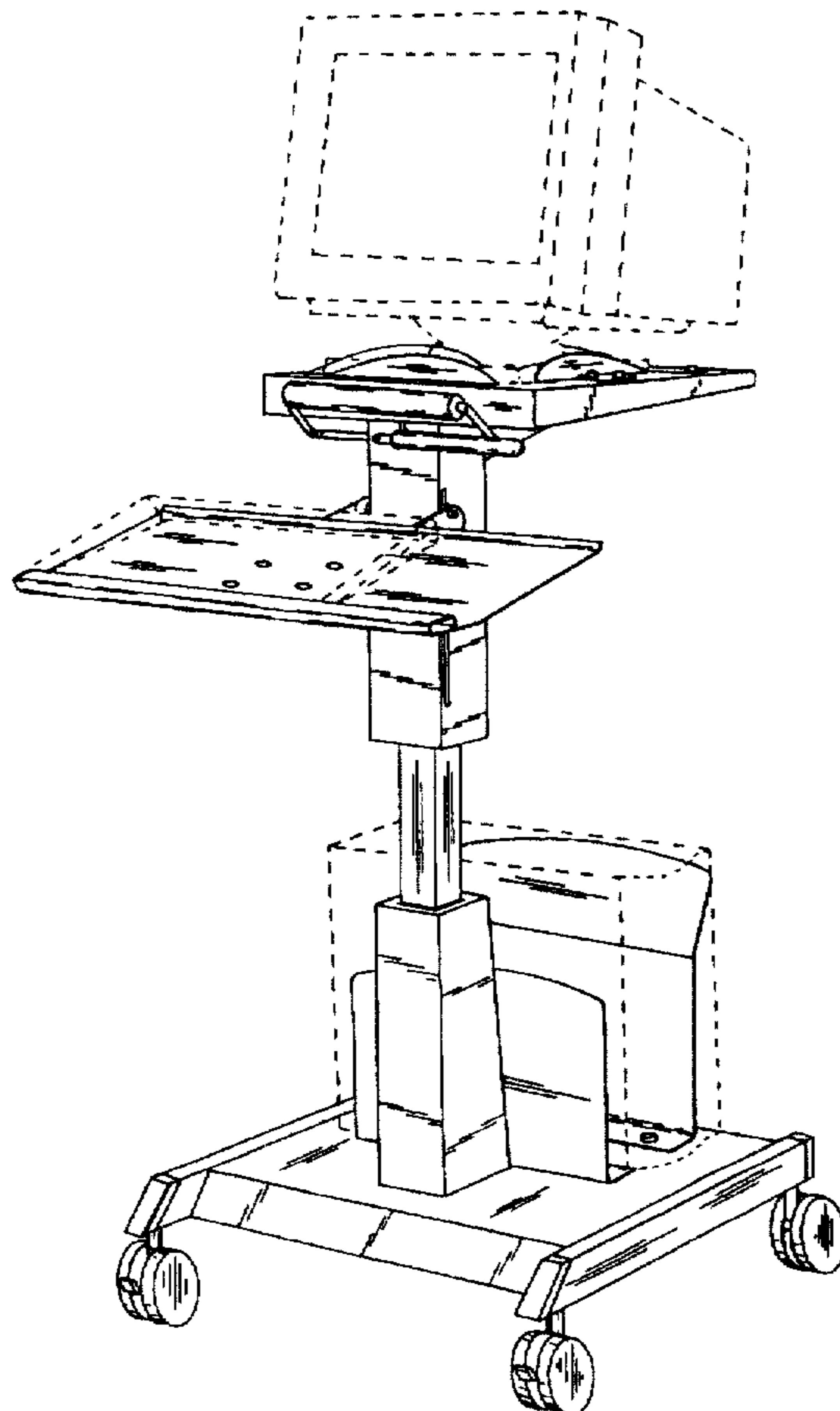
[57] **CLAIM**

The ornamental design for an adjustable height computer workstation, as shown and described.

DESCRIPTION

FIG. 1 is a rear elevational view of the adjustable height computer workstation showing my new design; FIG. 2 is a front elevational view thereof; FIG. 3 is a left side elevational view thereof; FIG. 4 is a right side elevational view thereof; FIG. 5 is a top plan view thereof; FIG. 6 is a bottom plan view thereof; FIG. 7 is a left side elevational view of the adjustable height computer workstation showing the computer hard drive, monitor, and keyboard in broken lines for purposes of illustration only and forming no part of the claimed design; and, FIG. 8 is a perspective view of FIG. 7.

1 Claim, 5 Drawing Sheets



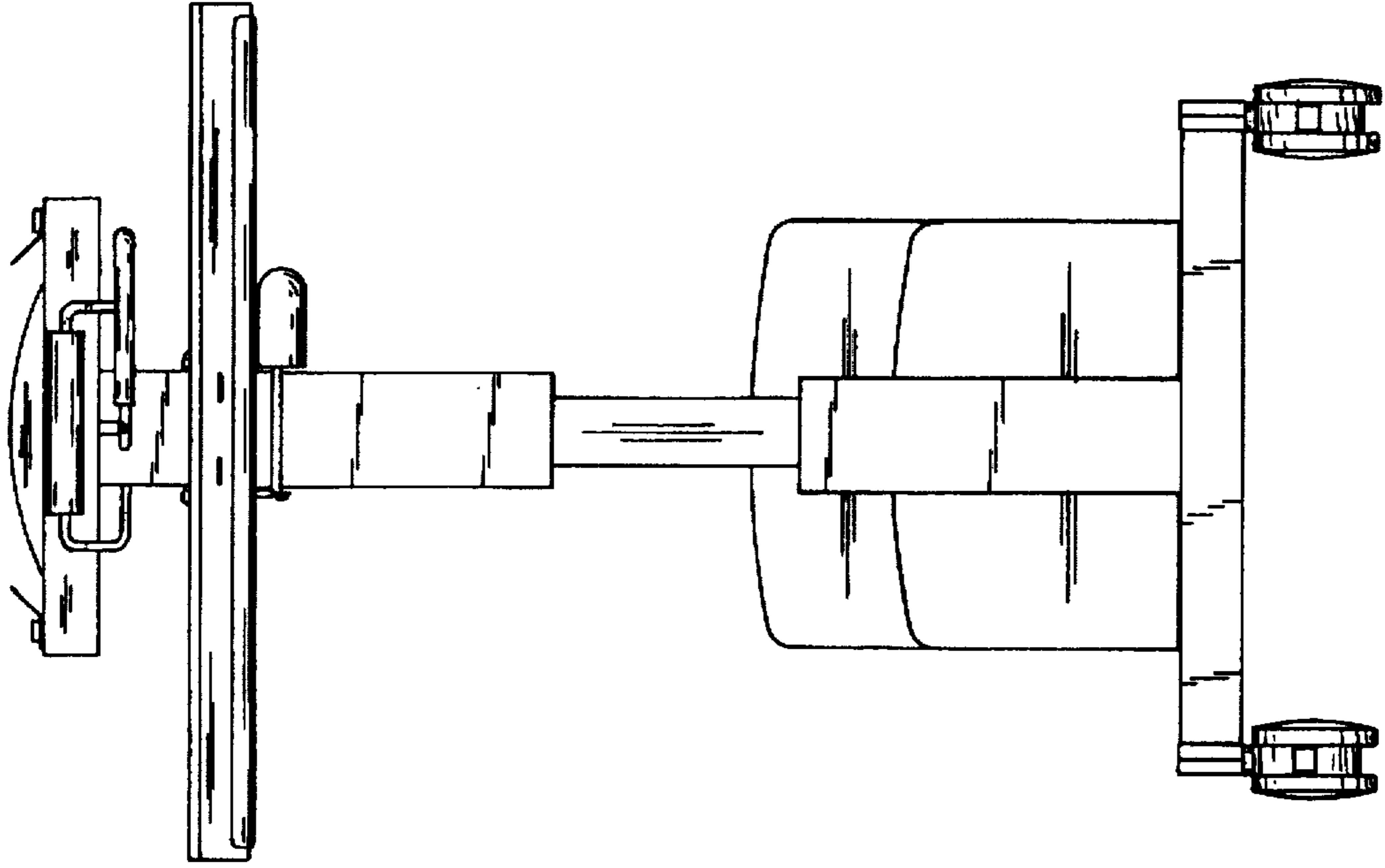


Fig. 2

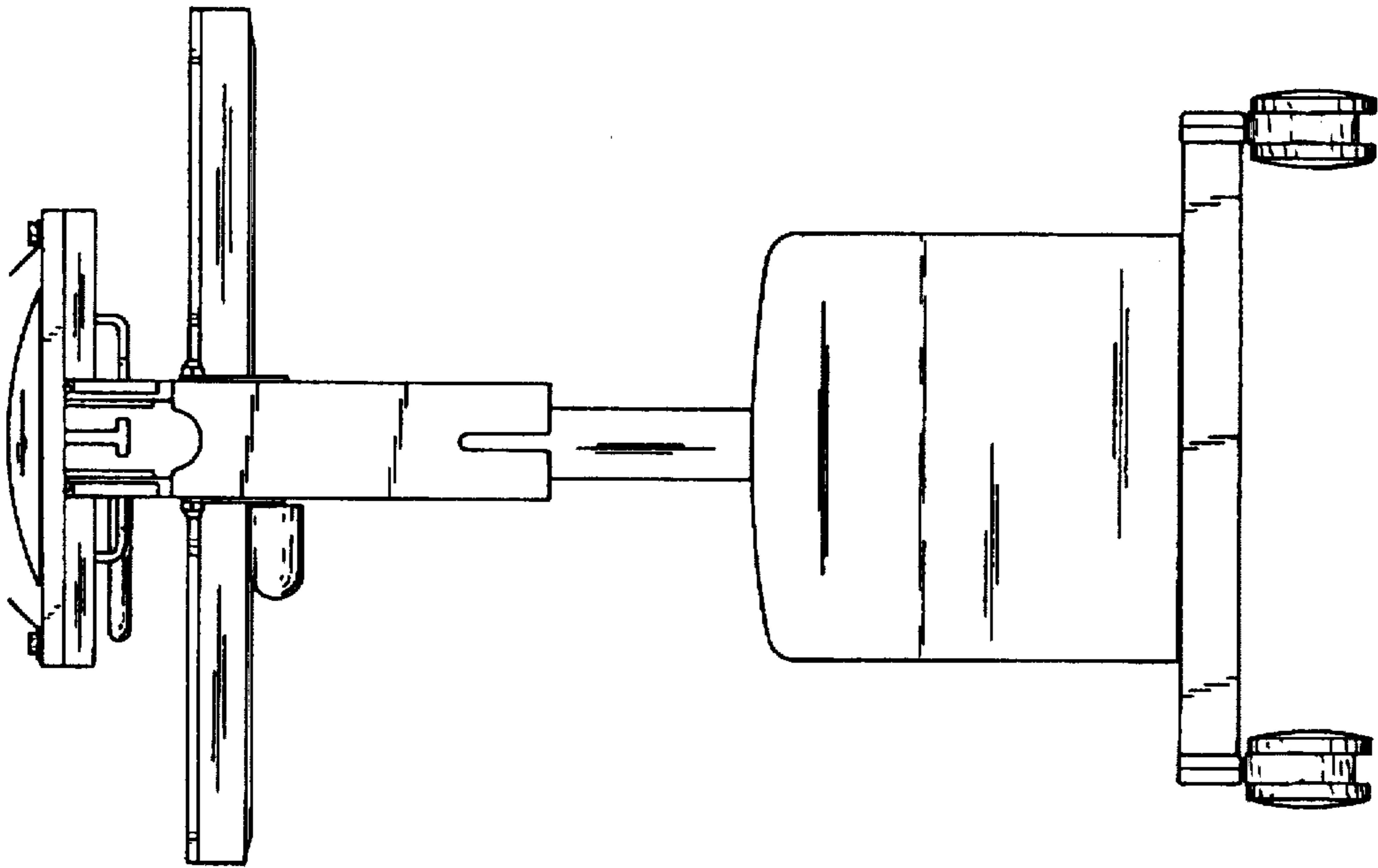


Fig. 1

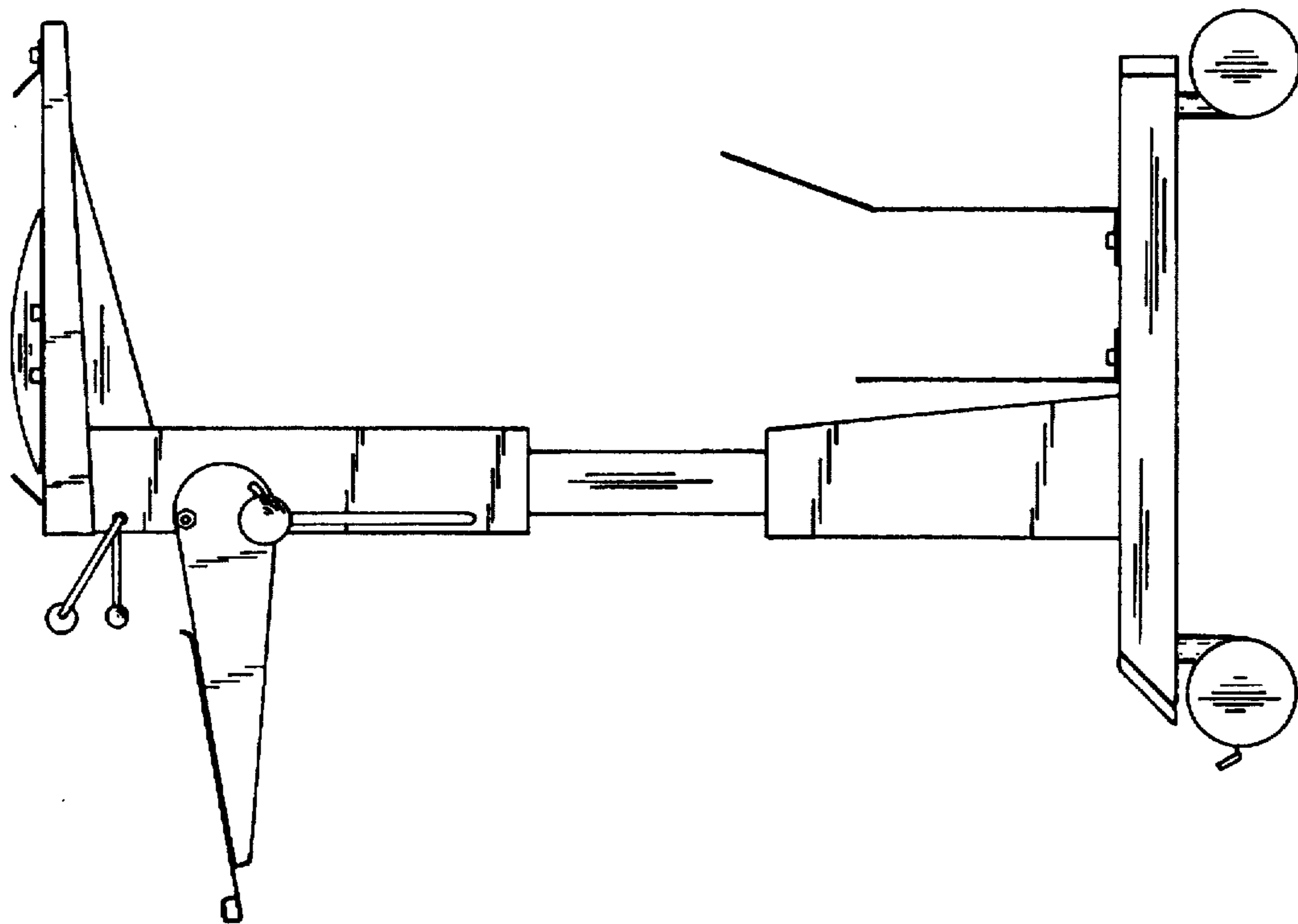


Fig. 4

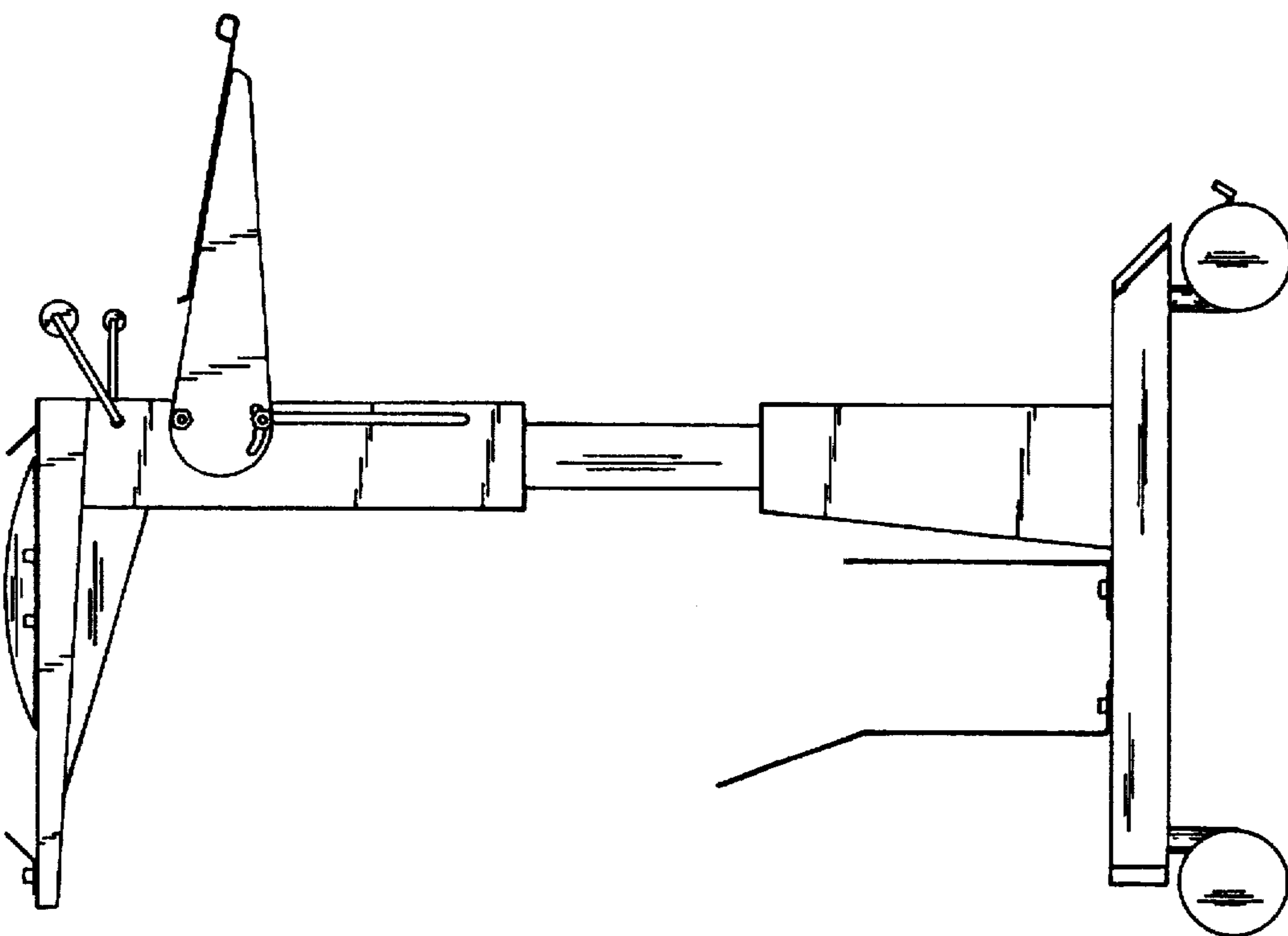


Fig. 3

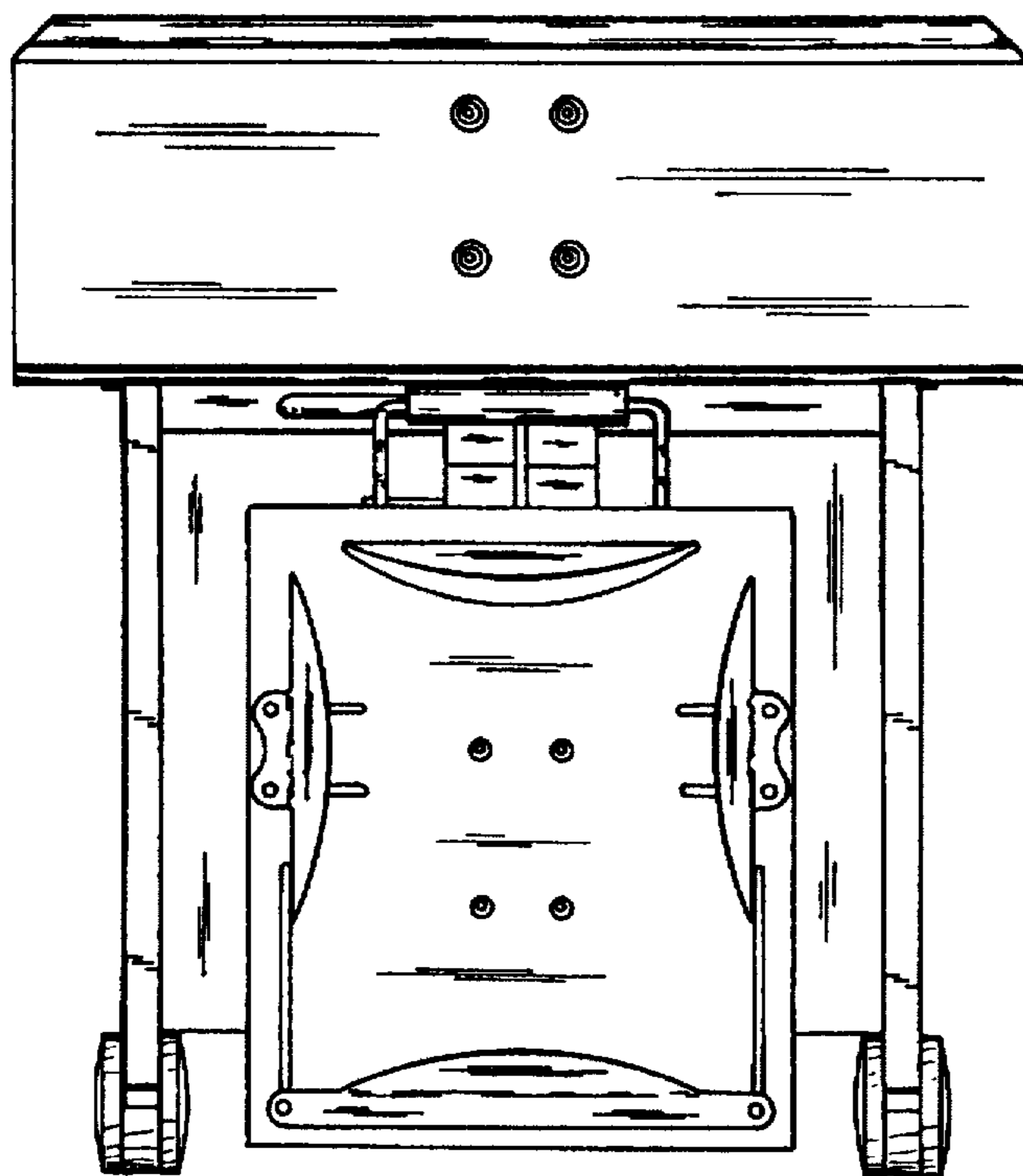


Fig. 5

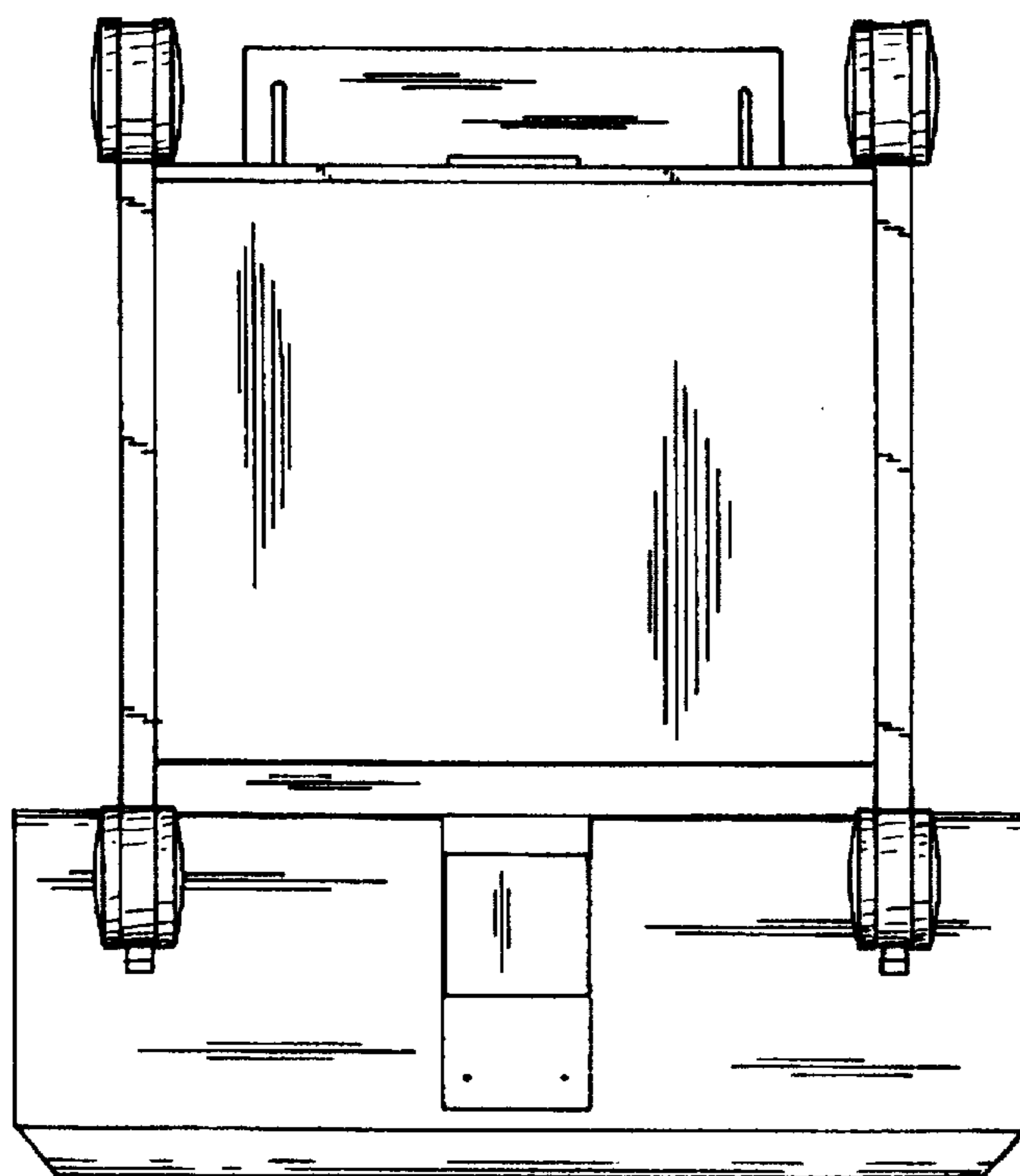


Fig. 6

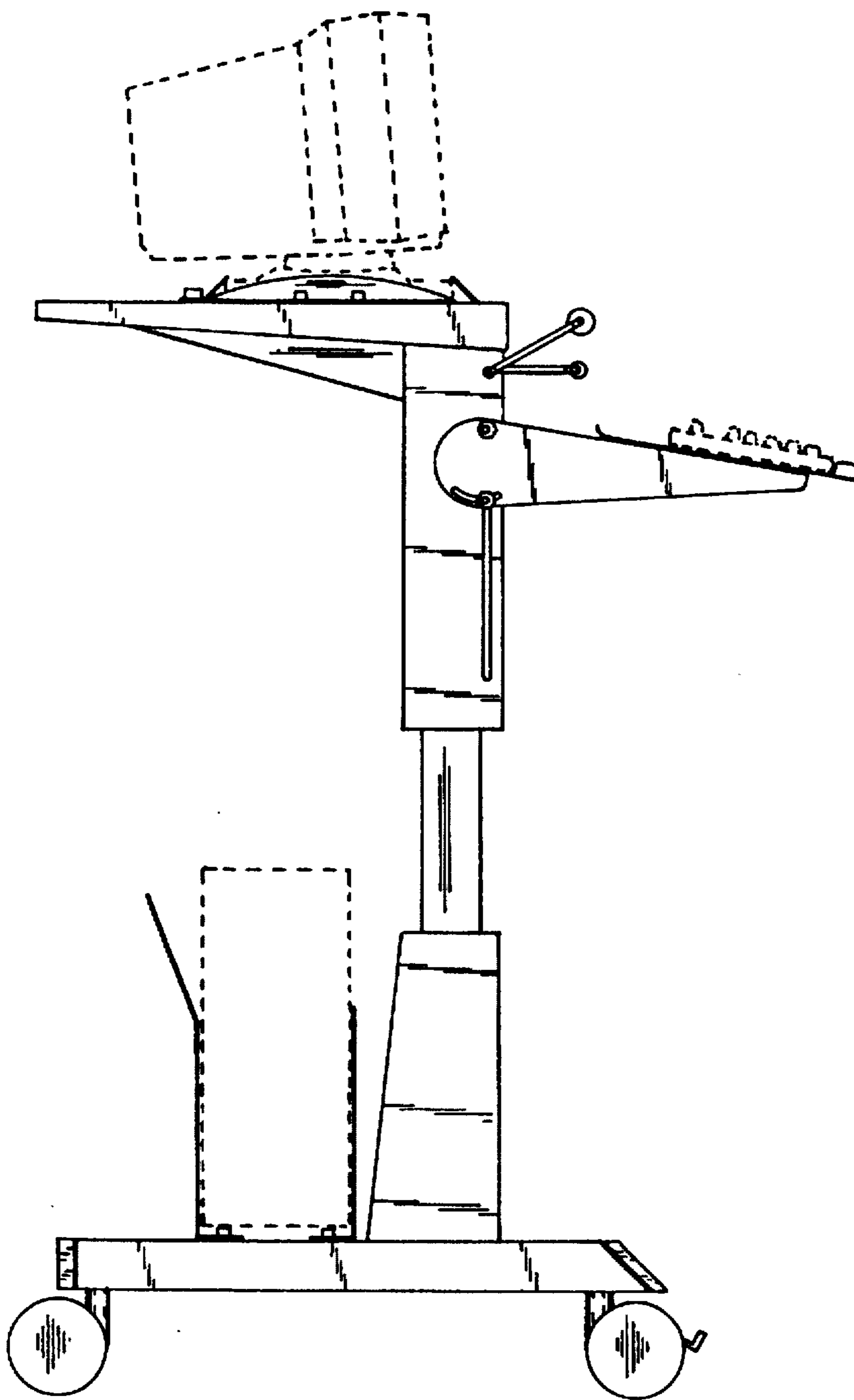


Fig. 7

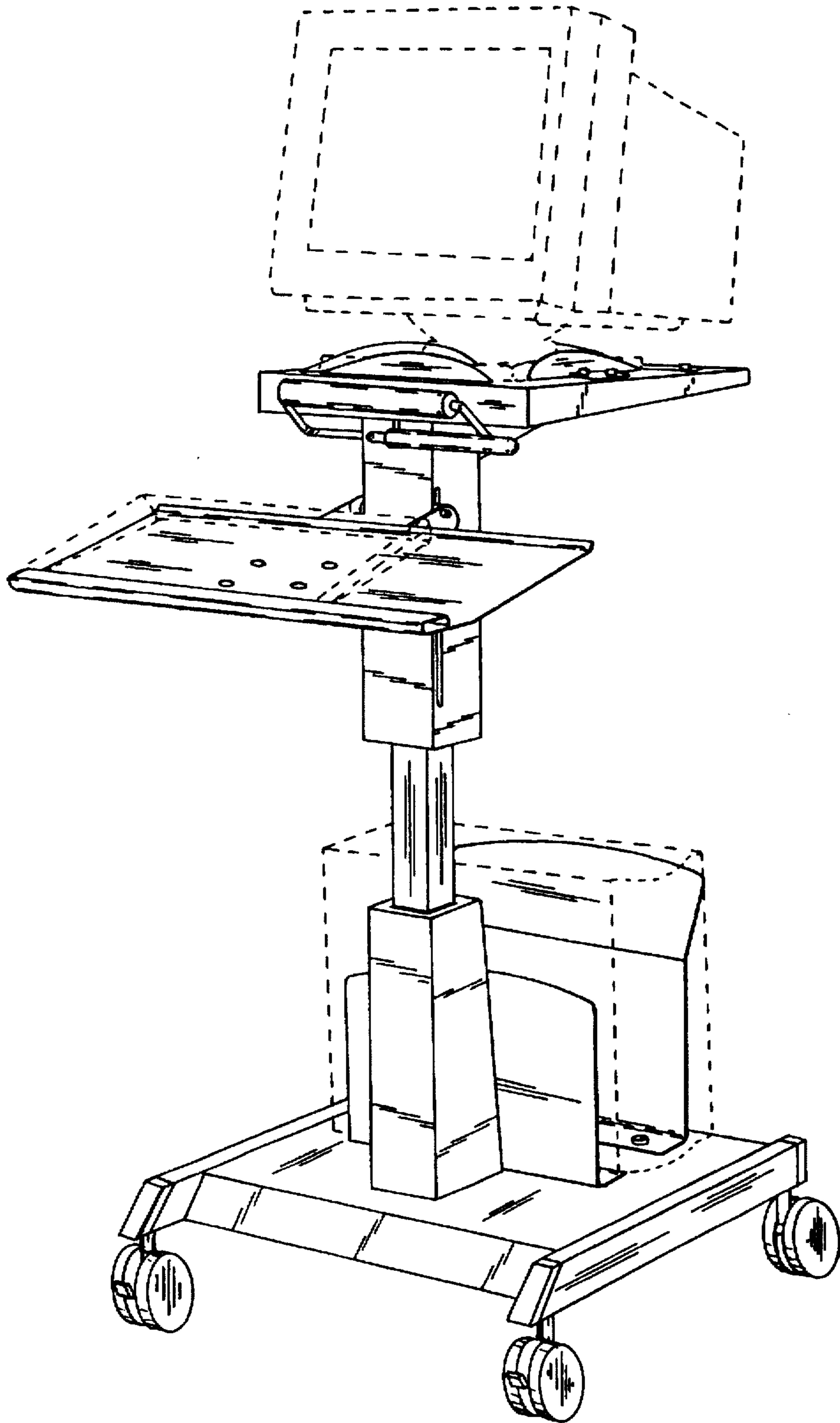


Fig. 8