

US00D393381S

United States Patent [19]

Santoro

[11] Patent Number: Des. 393,381

[45] Date of Patent: **Apr. 14, 1998

[54] MEDIA STORAGE UNIT

[76] Inventor: Charles R. Santoro, 3 Chip Dr.,
Wading River, N.Y. 11792-9541

[**] Term: 14 Years

[21] Appl. No.: 47,459

[22] Filed: Dec. 4, 1995

[51] LOC (6) Cl. 06-04

[52] U.S. Cl. D6/465; D6/479

[58] Field of Search D6/449, 455, 465,
D6/407, 484, 411-415, 457-461, 462, 396,
470, 477, 479, 487; 211/13, 153, 134, 182,
186, 181, 189, 195; 312/9.1, 107, 108,
257.1, 265.1, 265.4; 40/790; 108/59, 91;
248/174, 175, 188; 220/4.28

[56] References Cited

U.S. PATENT DOCUMENTS

D. 232,405	8/1974	Leikarts et al.	D6/455
D. 262,249	12/1981	Smith, III	D6/407
D. 279,440	7/1985	Evenson	D6/462
D. 297,988	10/1988	Maurer et al.	D6/411 X
D. 340,369	10/1993	Dokoupil et al.	D6/411 X
2,956,705	10/1960	Clingman	220/683
2,992,055	7/1961	Kass	312/195
3,044,656	7/1962	Combs et al.	220/4.28
3,220,557	11/1965	Brandes	211/134 X
3,430,588	3/1969	Heyer	108/91
3,661,434	5/1972	Alster	312/108 X
3,736,035	5/1973	Brown et al.	312/107
4,053,192	10/1977	Spetner	312/107

4,556,148	12/1985	Koller	211/182 X
4,572,597	2/1986	Voigt et al.	312/257.1
4,814,942	3/1989	Robirds et al.	312/257.1 X
4,937,958	7/1990	Stein et al.	40/790 X
4,941,717	7/1990	Beaulieu	312/265.4 X
4,988,008	1/1991	Blum et al.	211/182 X

FOREIGN PATENT DOCUMENTS

9000684	7/1989	WIPO	312/265.4 X
---------	--------	------------	-------------

Primary Examiner—James Gandy

Assistant Examiner—Linda Brooks

[57] CLAIM

The ornamental design for a media storage unit, as shown and described.

DESCRIPTION

FIG. 1 is a front, bottom, and side isometric view of a media storage unit showing my new design, it being understood that the opposite side view is substantially a mirror image thereof, the only difference being the screws on the rear and not on the front;

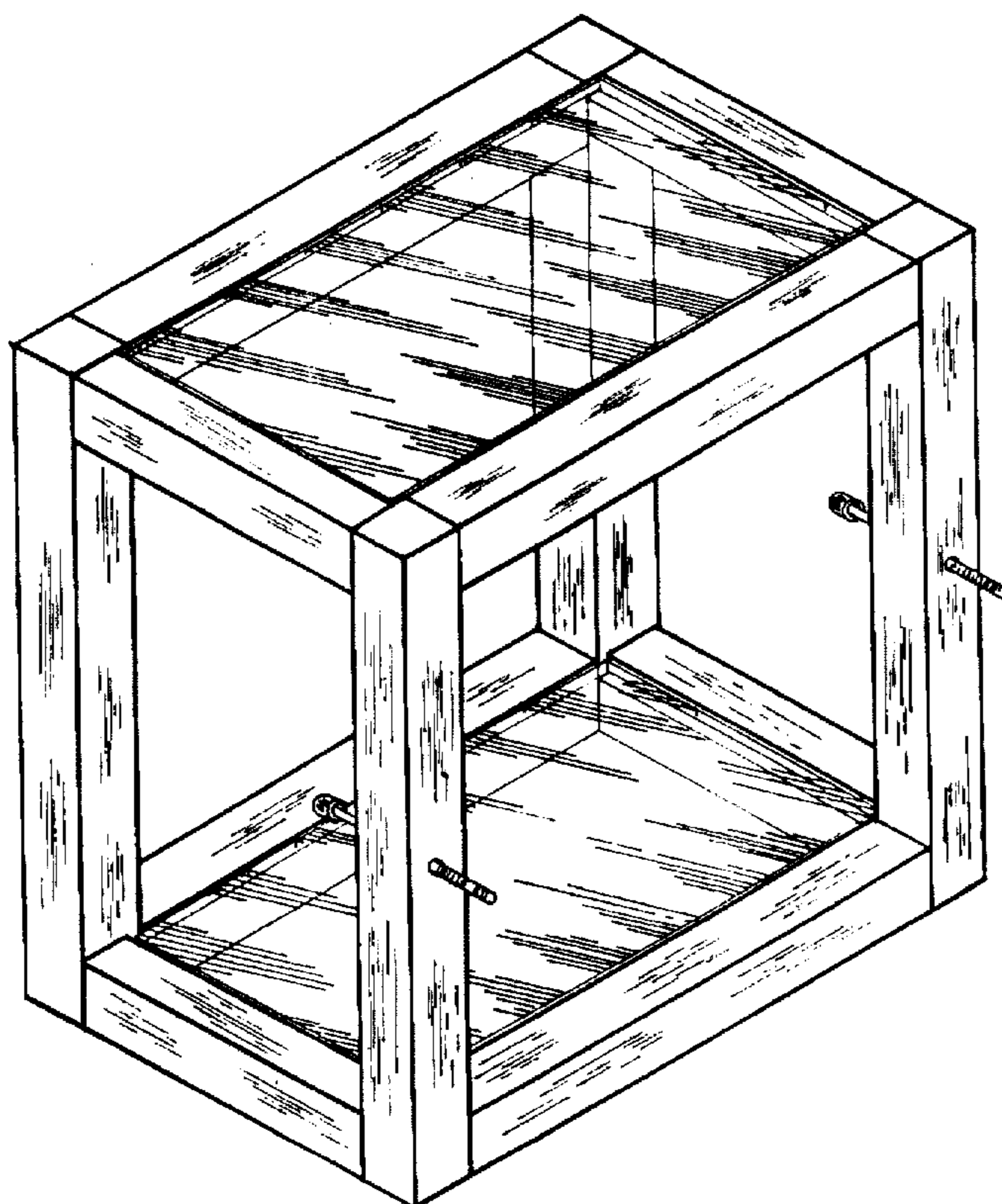
FIG. 2 is a rear, top, and side isometric view of FIG. 1, it being understood that the opposite side view is substantially a mirror image thereof, the only difference being the screws on the rear and not on the front;

FIG. 3 is a fragmentary sectional view taken along line 3—3 in FIG. 1;

FIG. 4 is a fragmentary sectional view taken along line 4—4 in FIG. 1; and,

FIG. 5 is a fragmentary sectional view taken along line 5—5 in FIG. 1.

1 Claim, 2 Drawing Sheets



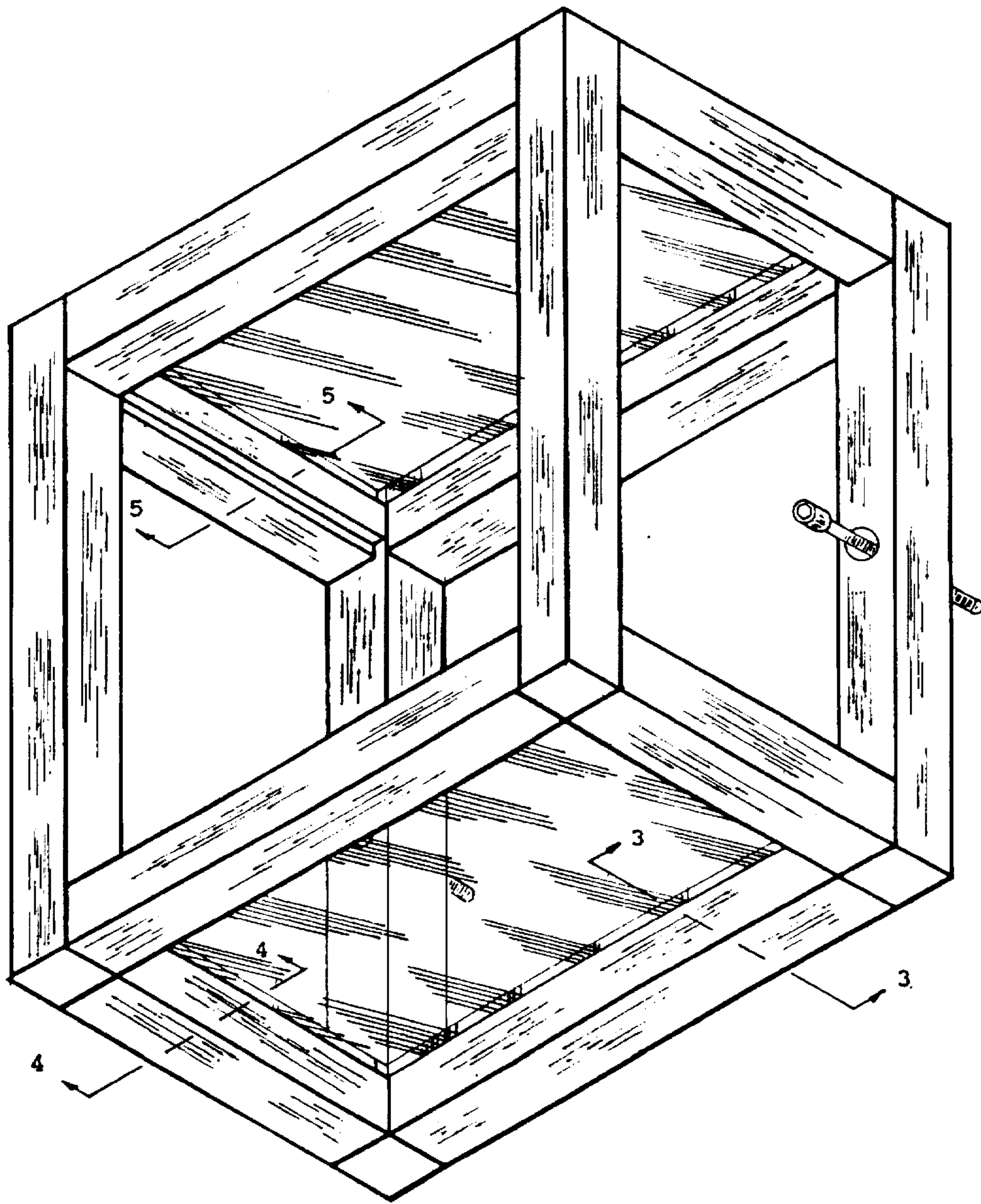


FIG. 1

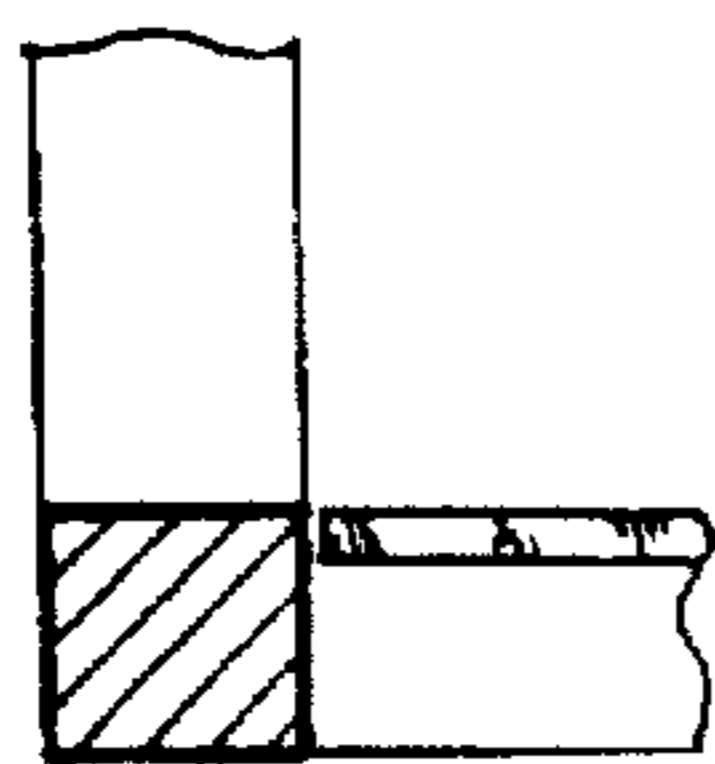


FIG. 3

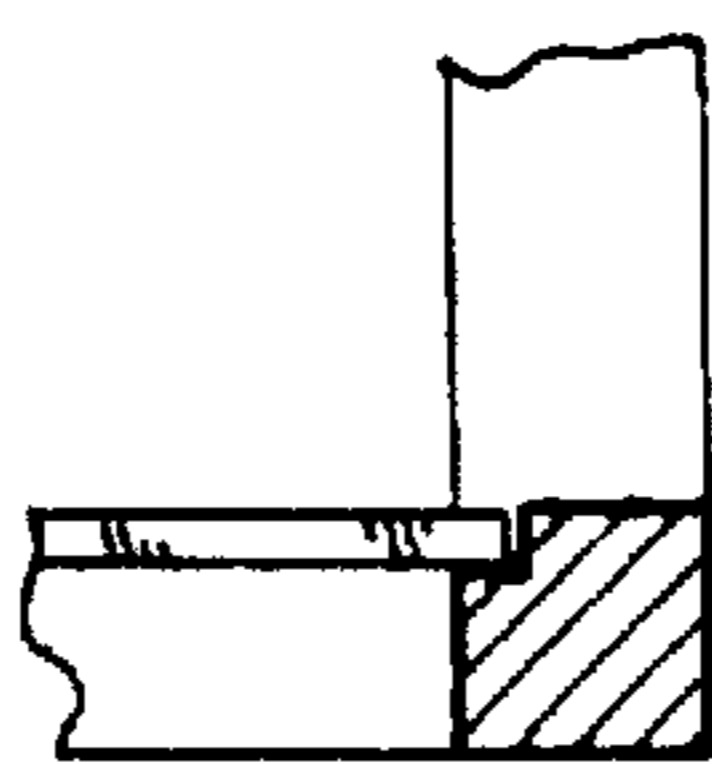


FIG. 4

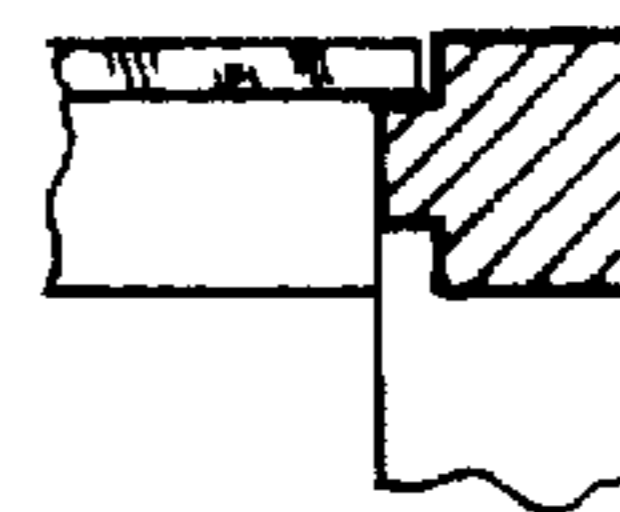


FIG. 5

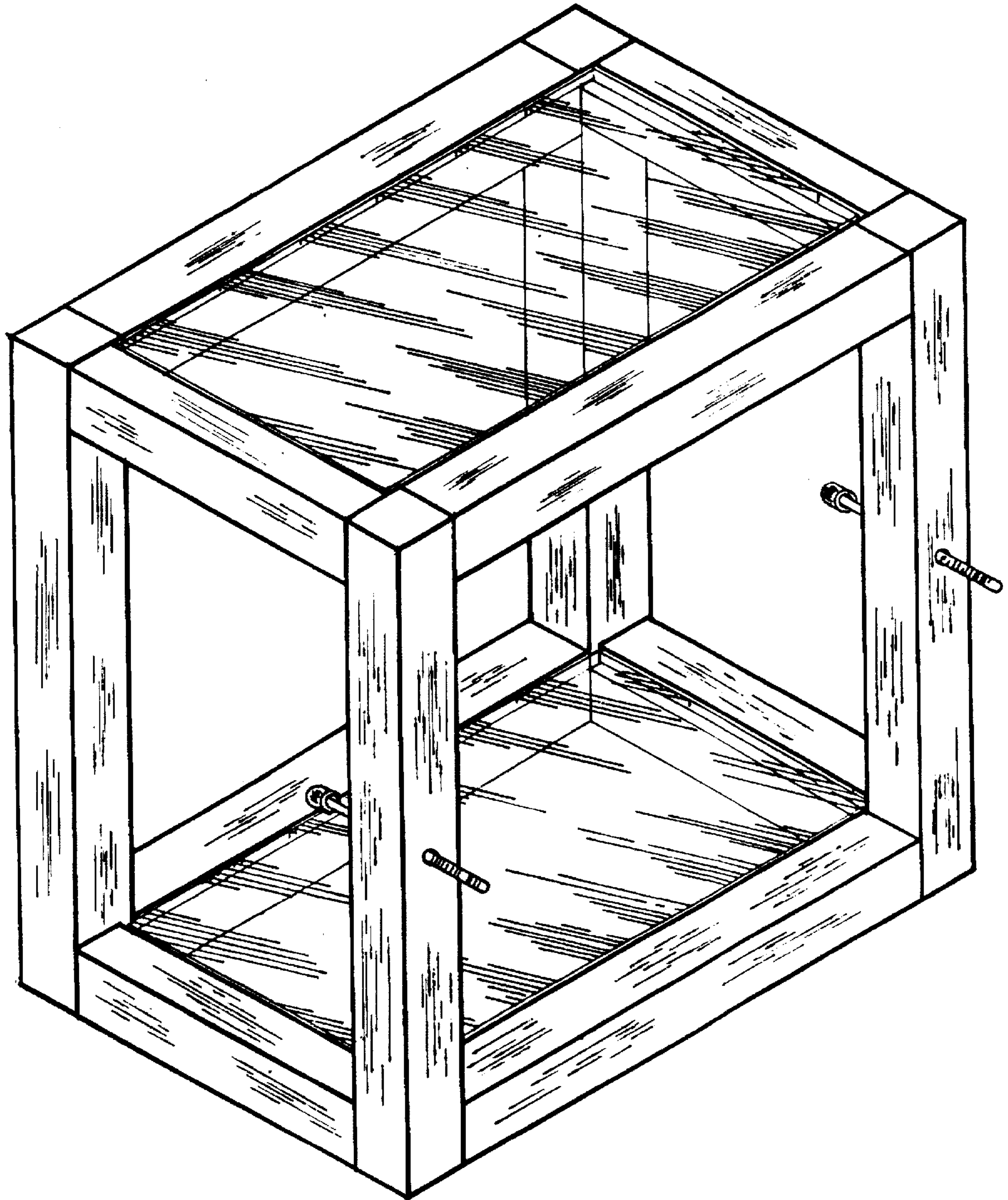


FIG. 2