



US00D393380S

# United States Patent [19] White

[11] Patent Number: **Des. 393,380**  
[45] Date of Patent: **\*\*Apr. 14, 1998**

[54] **PORTABLE DART BOARD STAND**  
[75] Inventor: **Michael S. White**, Middletown, Pa.  
[73] Assignees: **Charles Wilson**, Philadelphia, Pa.; **Bill A. Kraynik**, Sicklerville, N.J.  
[\*\*] Term: **14 Years**  
[21] Appl. No.: **65,402**  
[22] Filed: **Jan. 28, 1997**  
[51] LOC (6) Cl. .... **21-02**  
[52] U.S. Cl. .... **D6/462**  
[58] Field of Search ..... D6/462, 411, 465, D6/429, 313; D17/9; D21/49, 48; 211/181, 1, 13, 41, 86-90, 182, 189, 195, 184; 248/146, 455, 166, 170, 176.1, 175, 439, 163.1, 163.2; D32/58; D20/17, 19, 39, 41; 40/606, 610; 273/407, 404

3,415,519 12/1968 Hand ..... 40/606  
5,503,356 4/1996 Shelby ..... 40/610

### FOREIGN PATENT DOCUMENTS

2645186 10/1990 France ..... 40/606  
2079164 1/1982 United Kingdom ..... 273/407

*Primary Examiner*—James Gandy  
*Assistant Examiner*—Linda Brooks  
*Attorney, Agent, or Firm*—Norman E. Lehrer

### [57] CLAIM

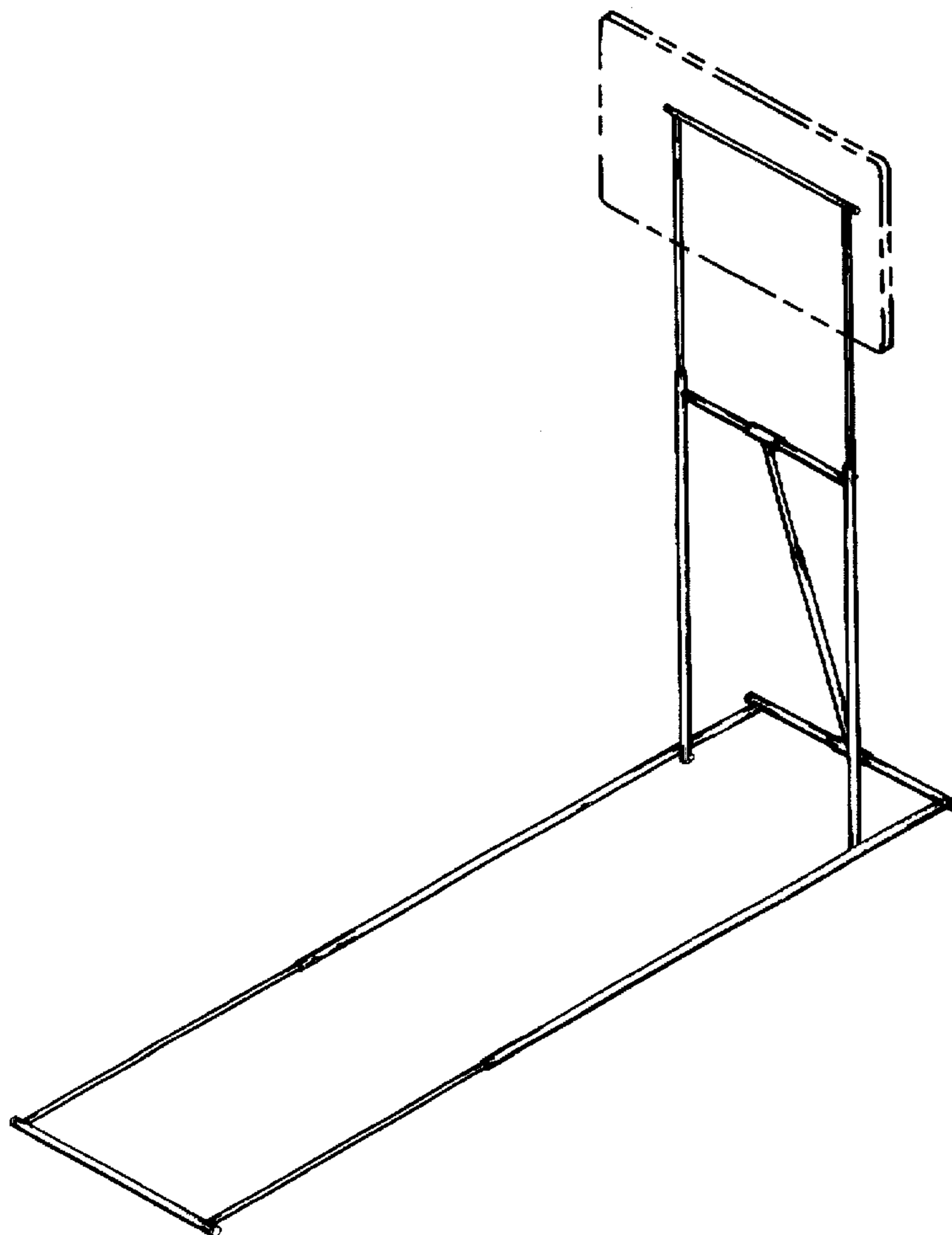
The ornamental design for a portable dart board stand, as shown and described.

### DESCRIPTION

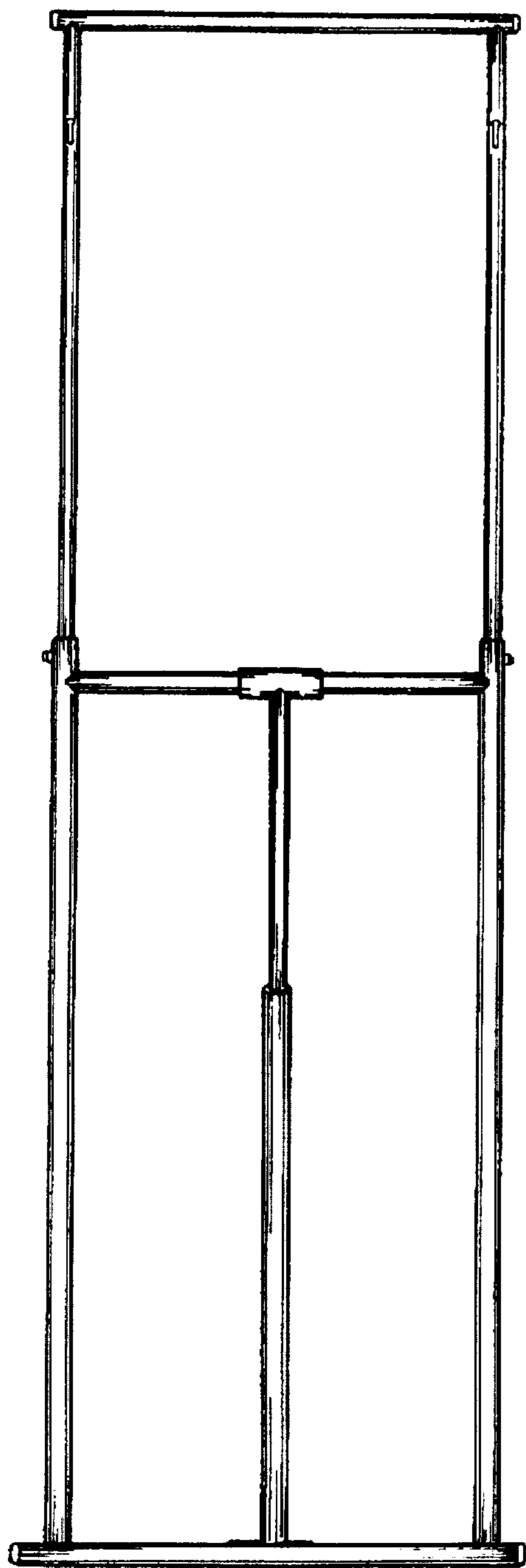
FIG. 1 is a front elevational view of a portable dart board stand showing my new design;  
FIG. 2 is a rear elevational view thereof;  
FIG. 3 is a top plan view thereof;  
FIG. 4 is a bottom plan view thereof;  
FIG. 5 is a right side elevational view thereof, the left side elevational view being a mirror image thereof; and,  
FIG. 6 is a top right side perspective view of FIG. 1 shown on a reduced scale, with environmental structure shown in broken lines for purposes of illustration only and forming no part of the claimed design.

[56] **References Cited**  
U.S. PATENT DOCUMENTS  
D. 149,941 6/1948 Haney ..... D6/462  
D. 346,081 4/1994 Turner ..... D6/465  
D. 346,653 5/1994 Chiu et al. .... D23/411  
3,355,174 11/1967 Hutson ..... 40/606

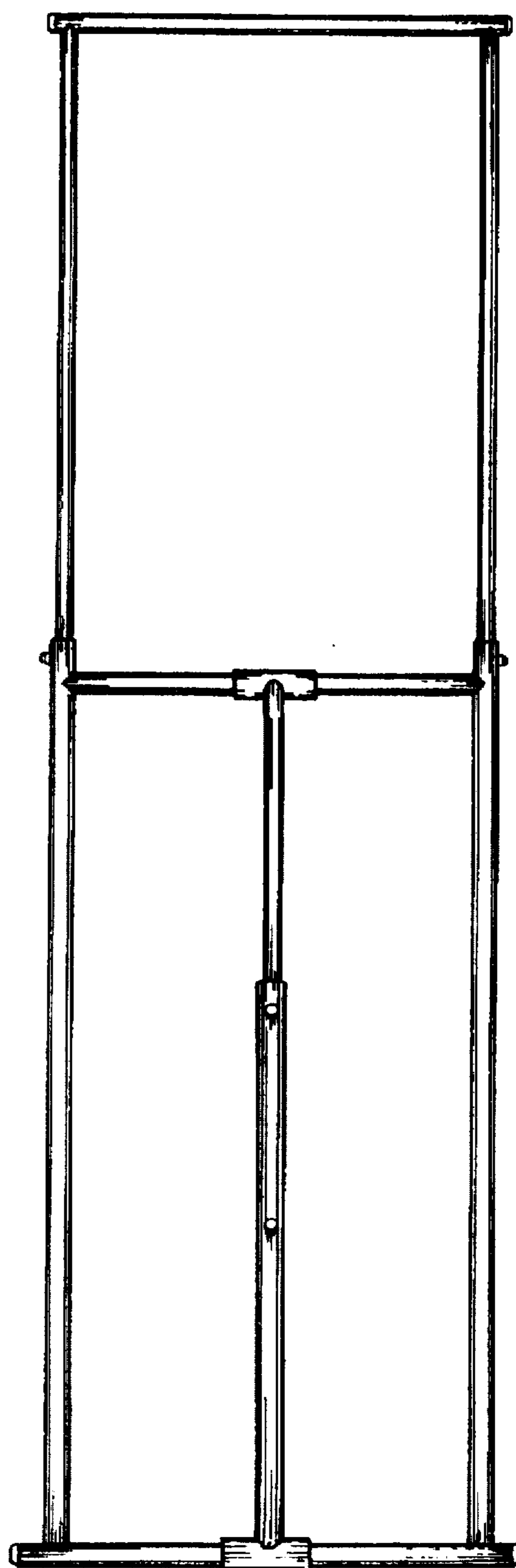
**1 Claim, 4 Drawing Sheets**



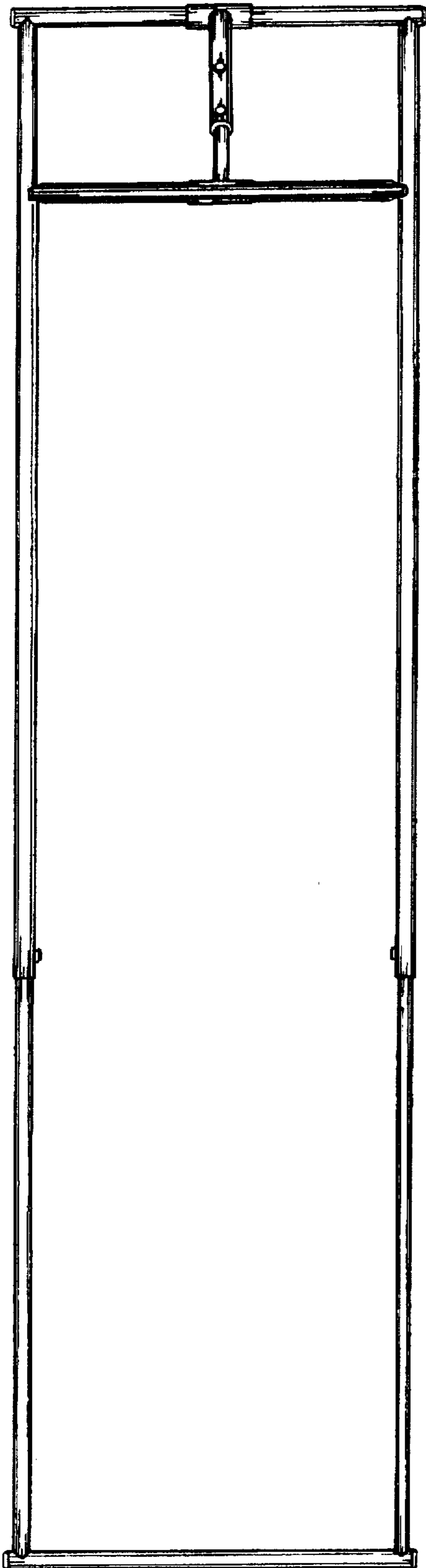
*Fig. 1*



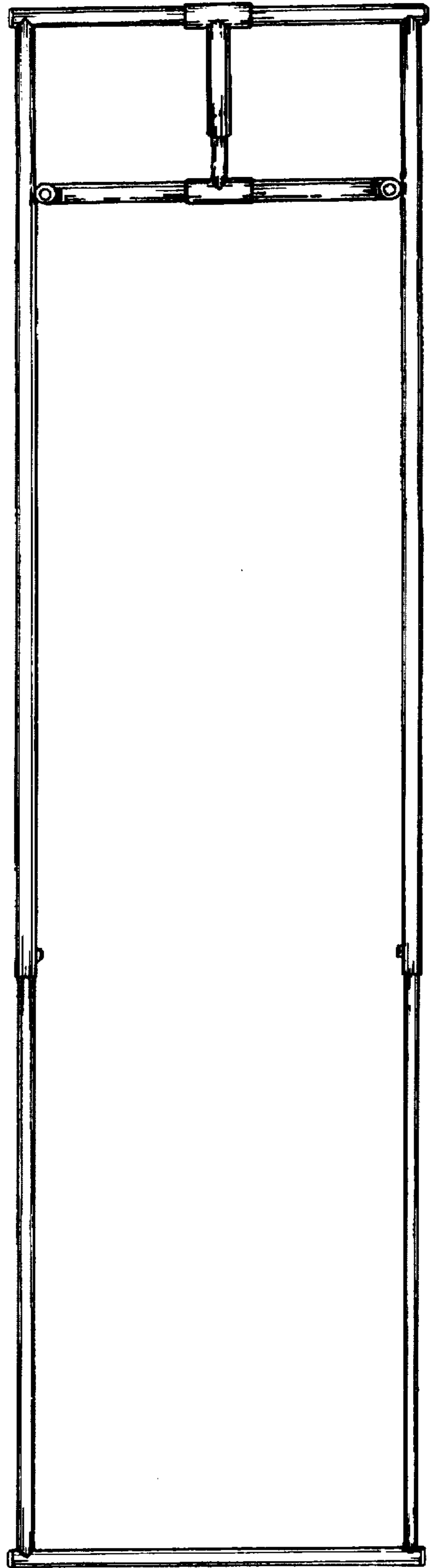
*Fig. 2*

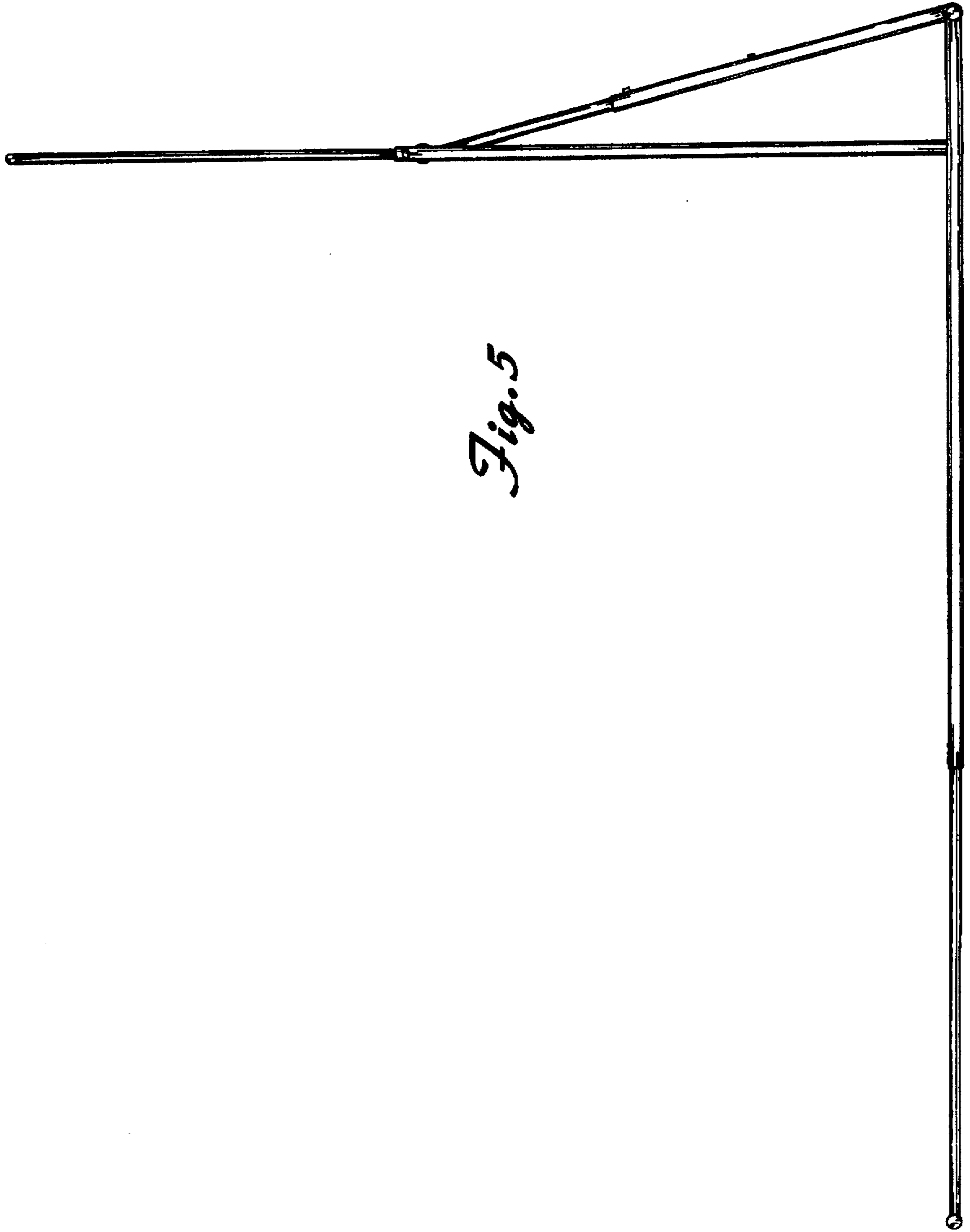


*Fig. 3*



*Fig. 4*





*Fig. 5*

*Fig. 6*

