



US00D393378S

United States Patent [19]
Hutton

[11] **Patent Number: Des. 393,378**

[45] **Date of Patent: ***Apr. 14, 1998**

[54] **BED**

[75] **Inventor: John Hutton, New York, N.Y.**

[73] **Assignee: Donghia Furniture Company, Ltd.,
New York, N.Y.**

[*] **Notice: The portion of the term of this patent
subsequent to Feb. 10, 2012, has been
disclaimed.**

[**] **Term: 14 Years**

[21] **Appl. No.: 54,657**

[22] **Filed: May 17, 1996**

[51] **LOC (6) Cl. 06-01**

[52] **U.S. Cl. D6/393; D6/382**

[58] **Field of Search D6/382-384, 387-395,
D6/505-508; 5/53.1, 279.1, 280, 281, 907,
908**

[56] **References Cited**

U.S. PATENT DOCUMENTS

D. 152,894 3/1949 Lubberts et al. D6/394
D. 164,058 7/1951 Peery D6/393
D. 361,872 8/1995 McMahon et al. D6/393 X

*Primary Examiner—Janice E. Seeger
Attorney, Agent, or Firm—Kenyon & Kenyon*

[57] **CLAIM**

The ornamental design for the bed, as shown and described.

DESCRIPTION

FIG. 1 is a front elevational view of a bed, showing my new design;

FIG. 2 is a right side elevational view thereof the left side being a mirror image thereof; and,

FIG. 3 is a top perspective view thereof.

1 Claim, 3 Drawing Sheets

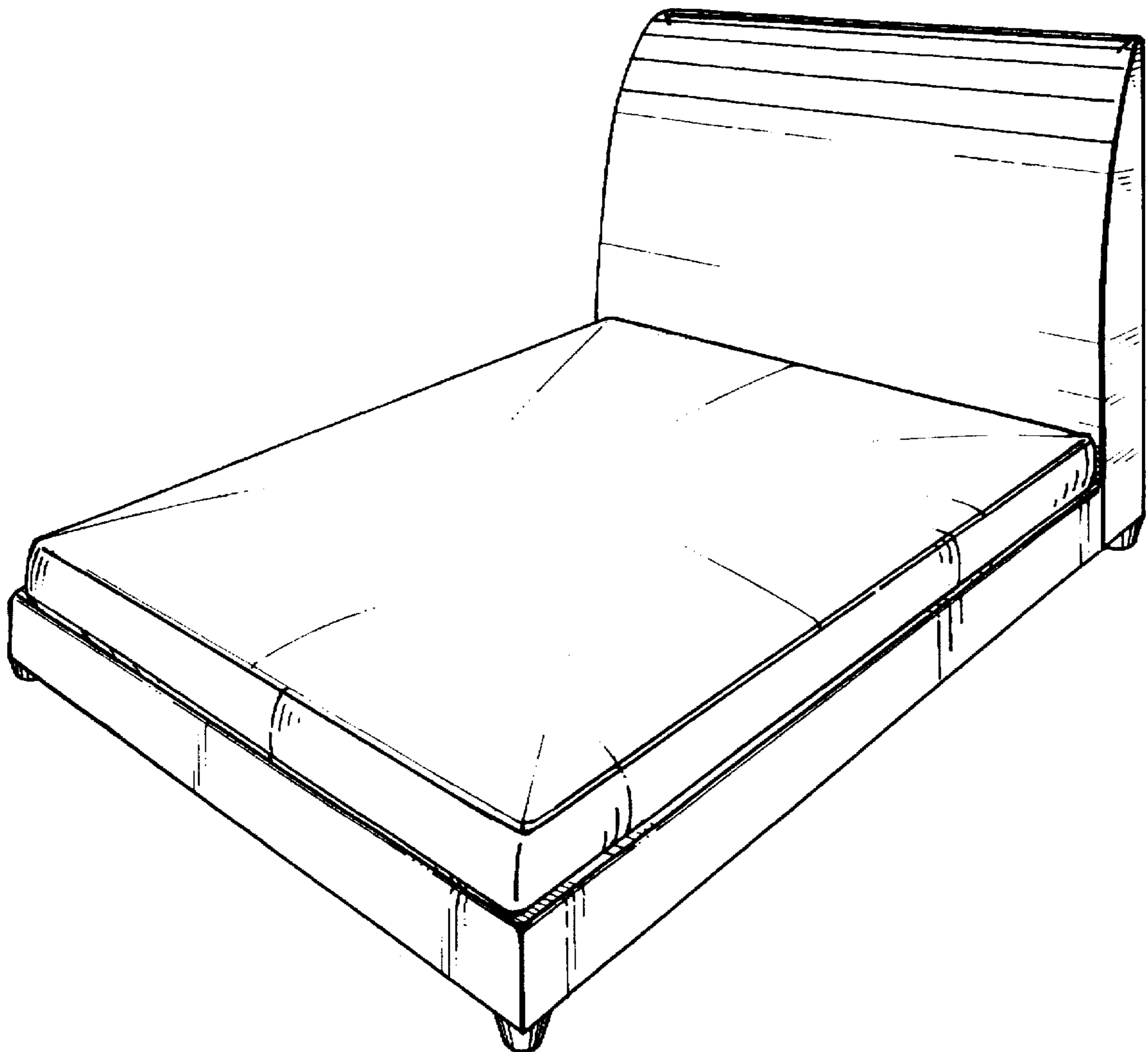




FIG. 1

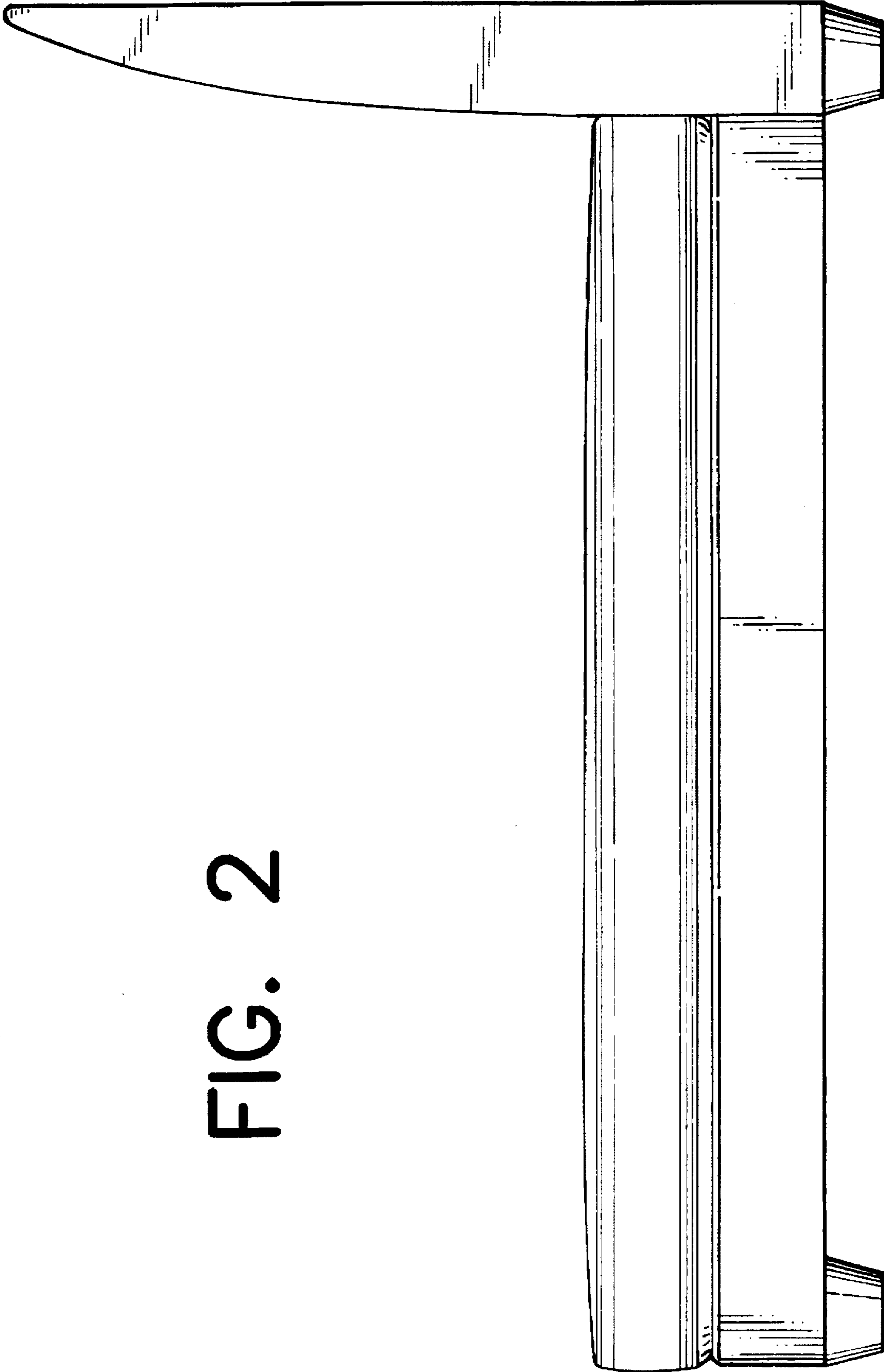


FIG. 2

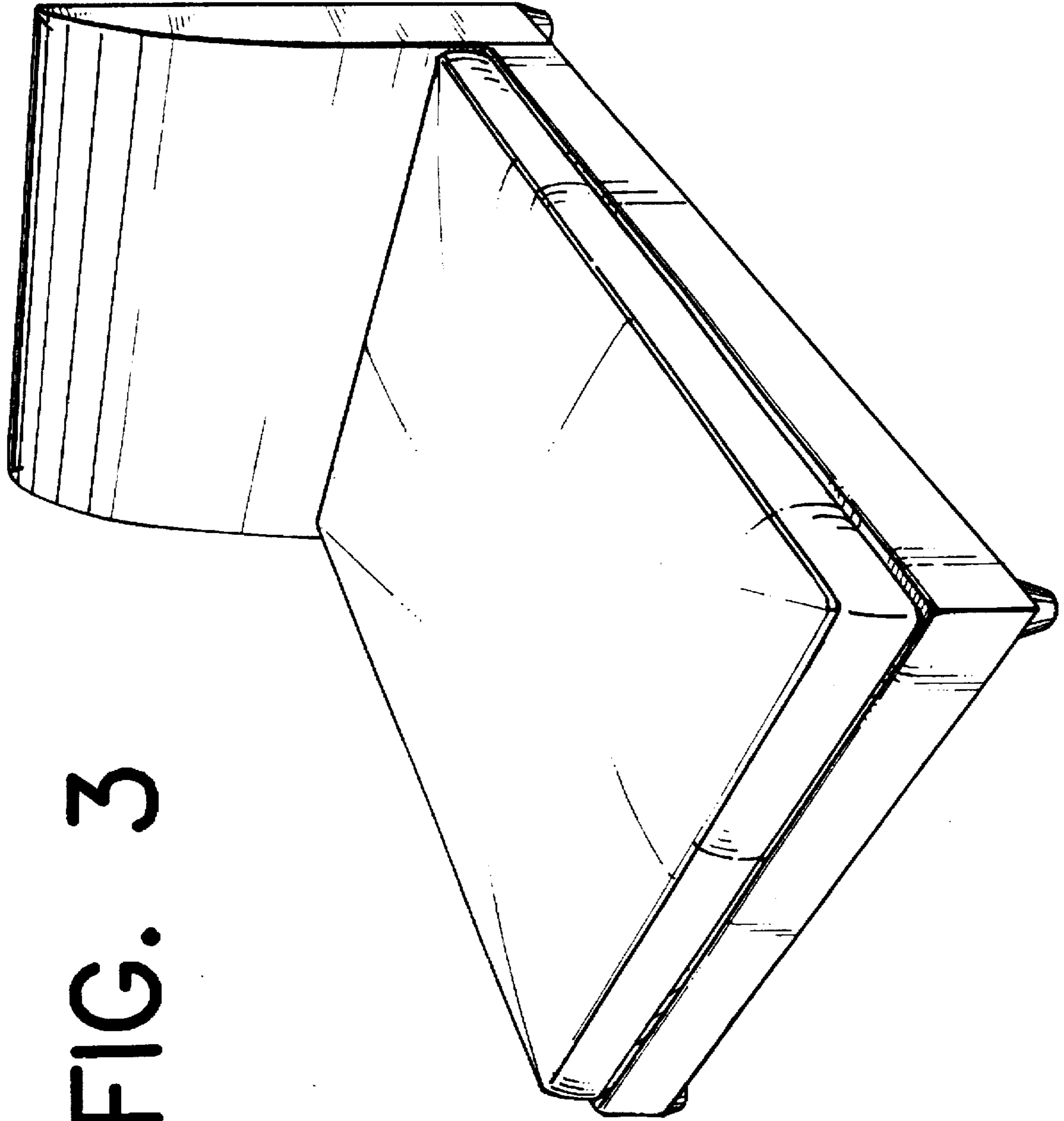


FIG. 3