

US00D393364S

United States Patent [19] John

[11] Patent Number: Des. 393,364

[45] Date of Patent: **Apr. 14, 1998

[54] TENNIS BALL CADDY

[76] Inventor: Nigel H. John, 115-46 209th St., New York, N.Y. 11411

[**] Term: 14 Years

[21] Appl. No.: 61,290

[22] Filed: Oct. 21, 1996

[51] LOC (6) Cl. 03-01

[52] U.S. Cl. D3/221; D3/257

[58] Field of Search D3/221, 232, 246, D3/257; 224/250, 251, 257, 600, 607, 919; 383/117

[56] References Cited

U.S. PATENT DOCUMENTS

D. 366,143	1/1996	Guzman	D3/221
2,552,443	5/1951	Molinari	D3/303
5,186,374	2/1993	Buxton	224/919 X
5,259,541	11/1993	Reese	224/919 X
5,289,960	3/1994	Kelly et al.	224/919 X
5,490,619	2/1996	Boyar	383/6 X

Primary Examiner—Doris V. Coles
Assistant Examiner—Catherine R. Oliver

[57] CLAIM

The ornamental design for the tennis ball caddy, as shown and described.

DESCRIPTION

FIG. 1 is a perspective view of a first embodiment having an open-mesh fabric panel of the tennis ball caddy showing my new design;

FIG. 2 is front elevational view thereof;

FIG. 3 is a rear elevational view thereof;

FIG. 4 is a left side elevational view thereof, the right side elevational view being identical;

FIG. 5 is a top plan view thereof;

FIG. 6 is a bottom plan view thereof;

FIG. 7 is a perspective view of a second embodiment thereof having a transparent plastic window in lieu of the open-mesh panel of the first embodiment; and,

FIG. 8 is a left side elevational view thereof, the right side elevational view being identical.

The rear elevational view, the top plan view and the bottom plan view of the second embodiment are identical to the corresponding views of the first embodiment (e.g. FIGS. 3, 5 and 6).

The broken away portion of the strap in FIGS. 1, 3, 4, 7 and 8 indicates indeterminate length.

1 Claim, 5 Drawing Sheets

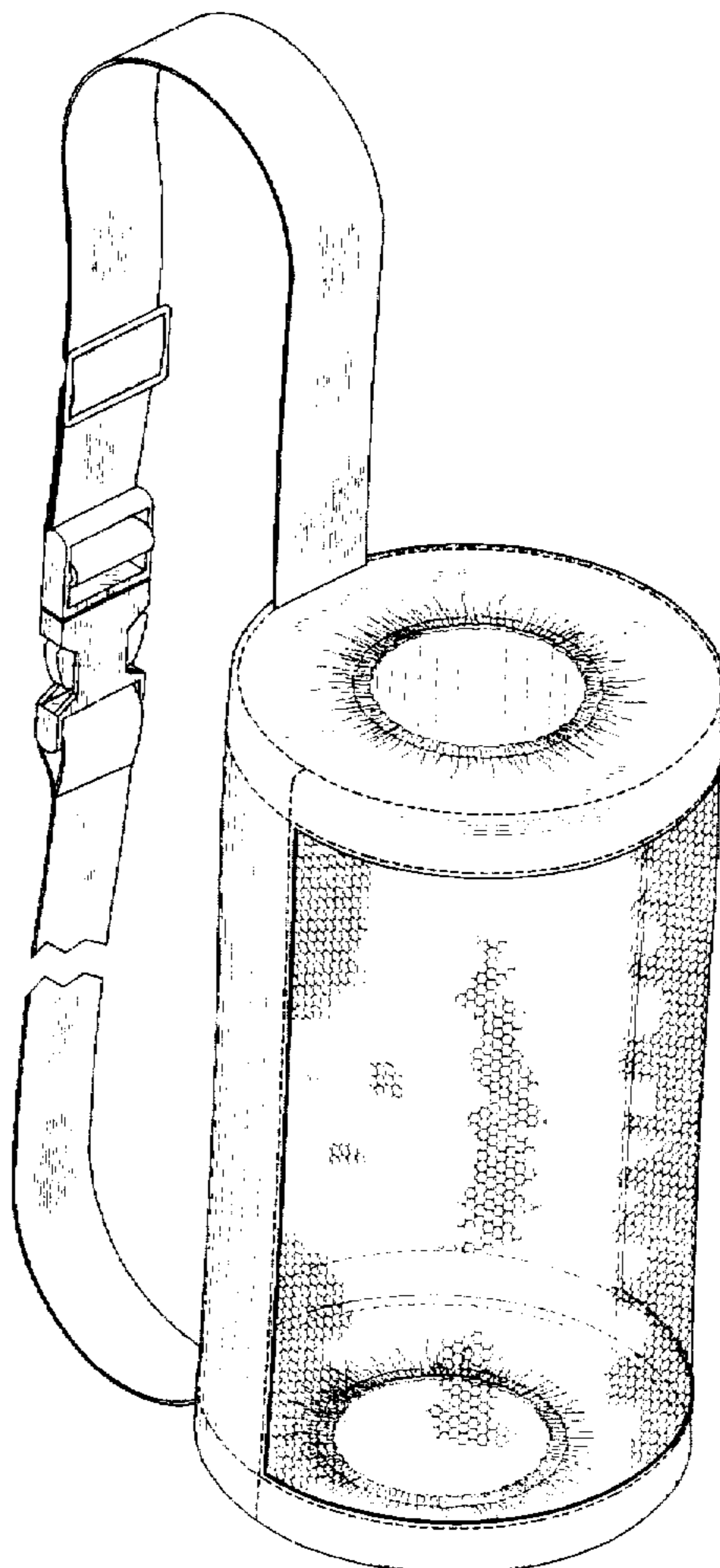


FIG. 1

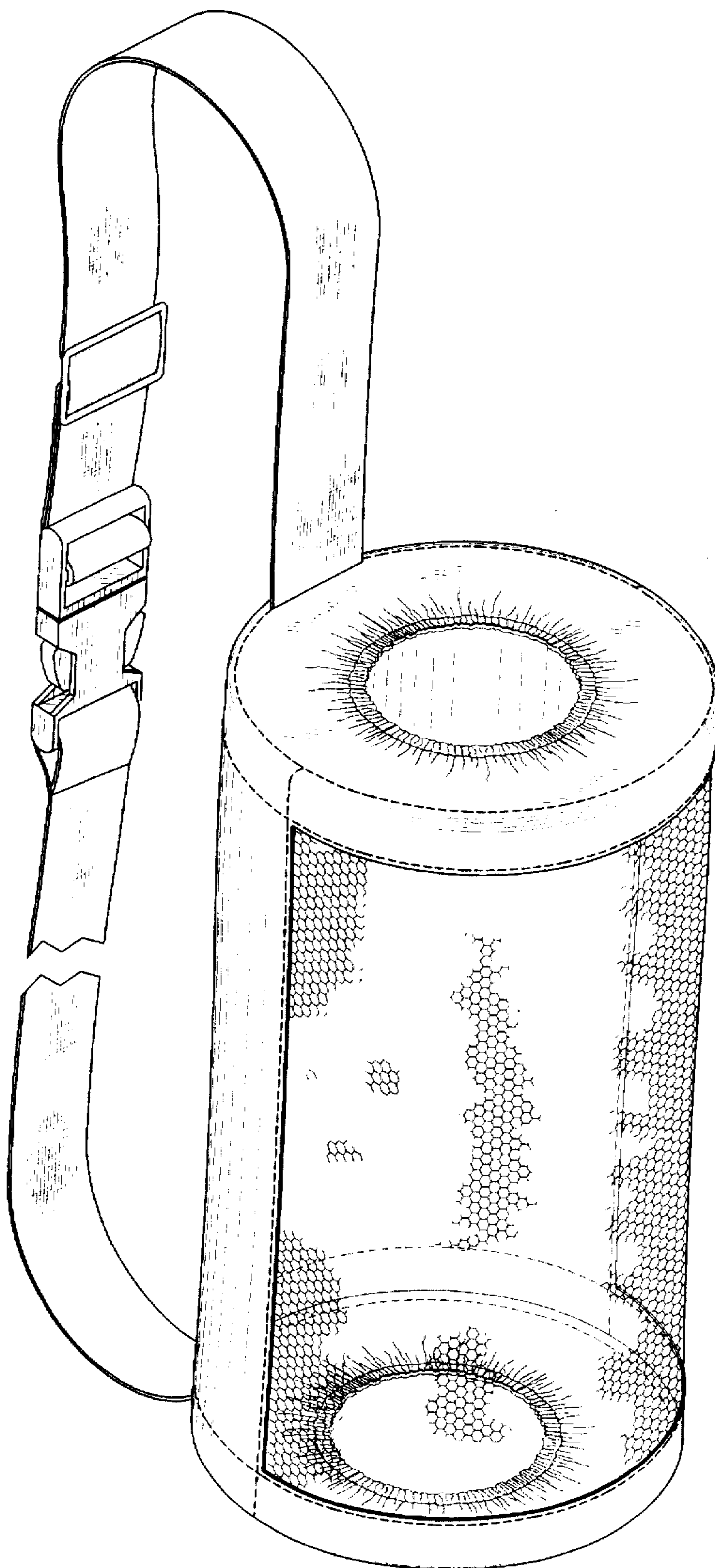


FIG. 2

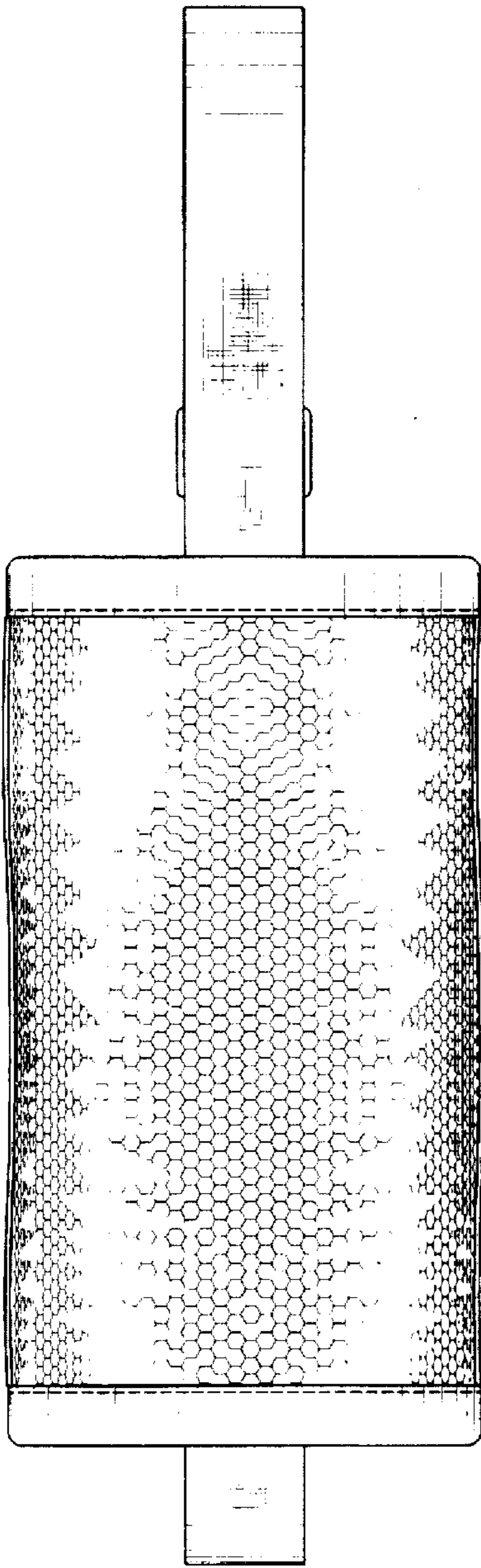
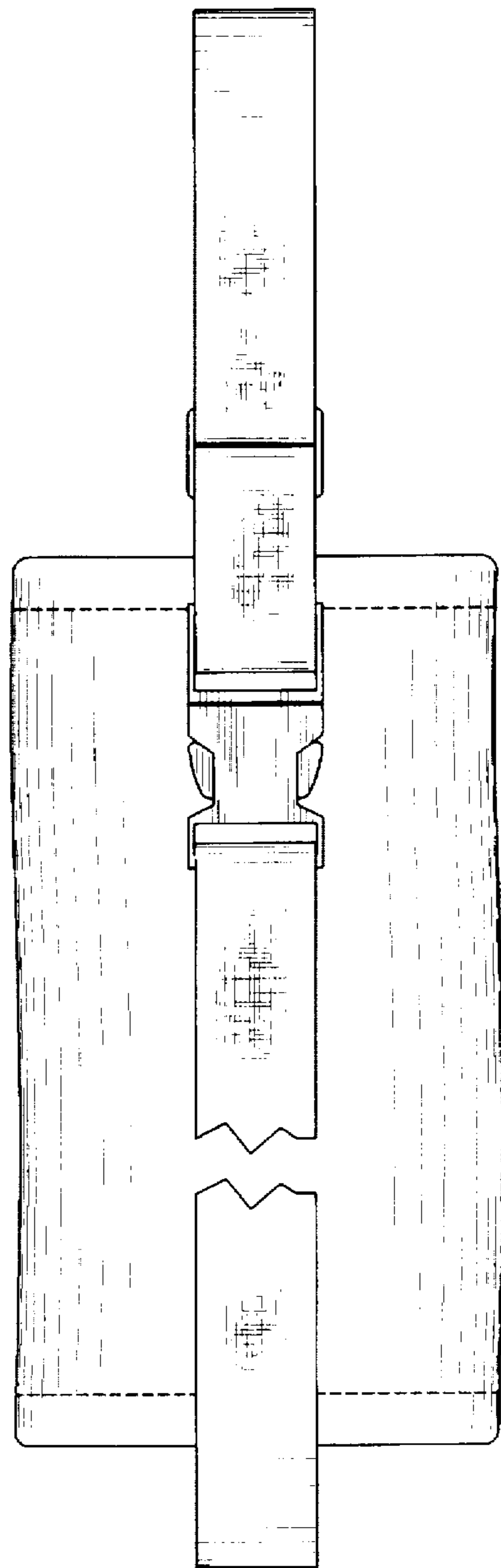


FIG. 3



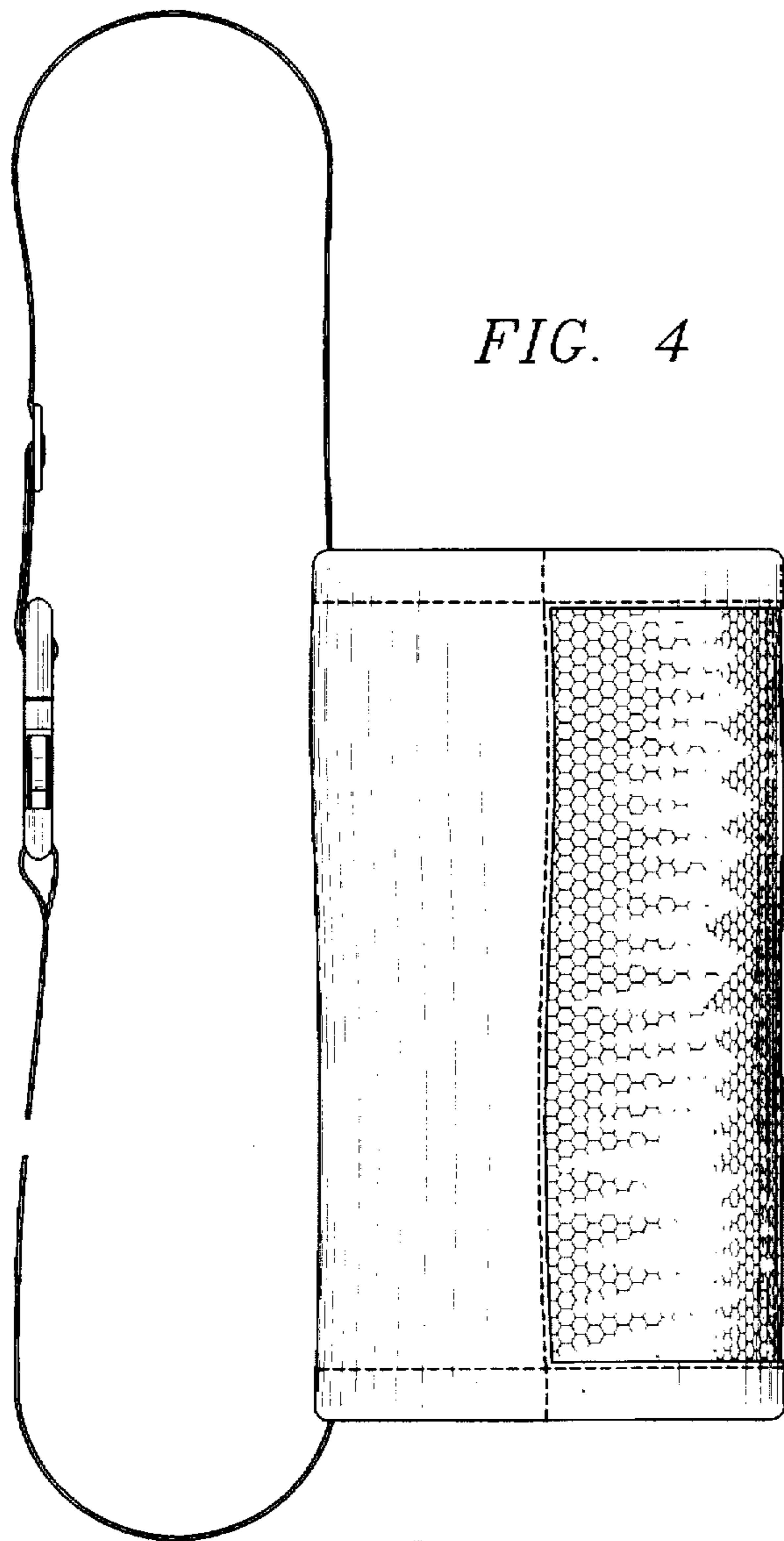


FIG. 4

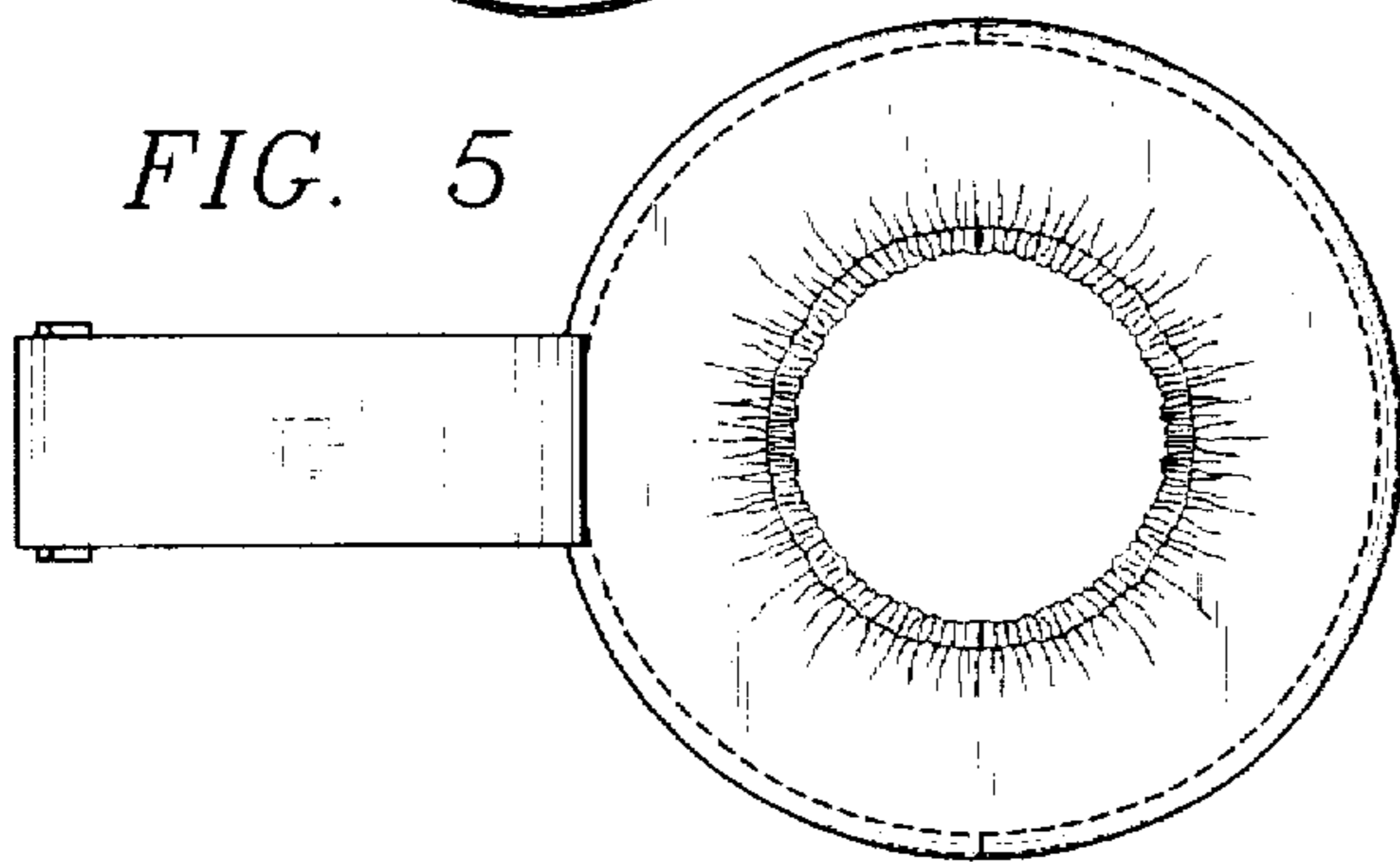


FIG. 5

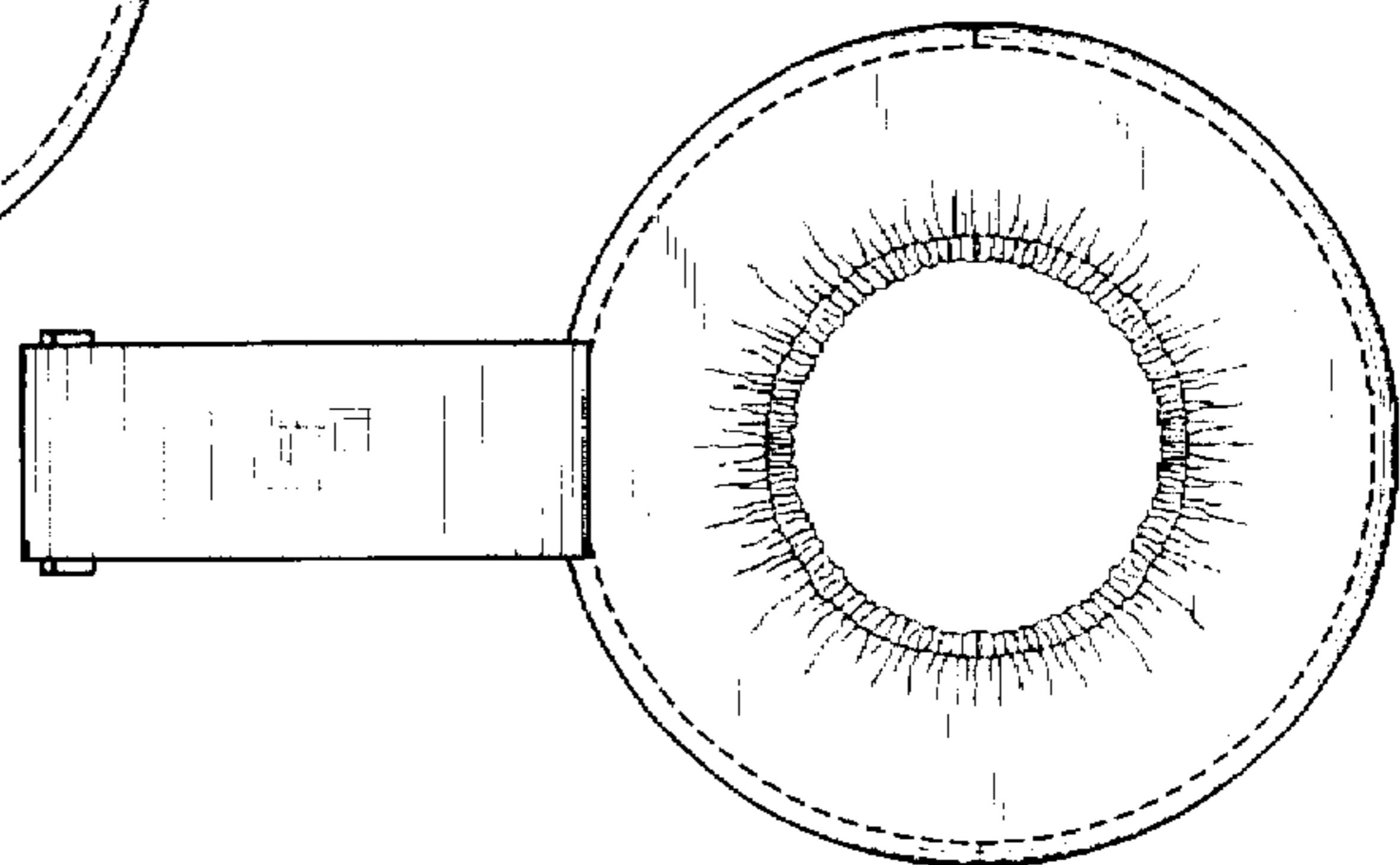


FIG. 6

FIG. 7

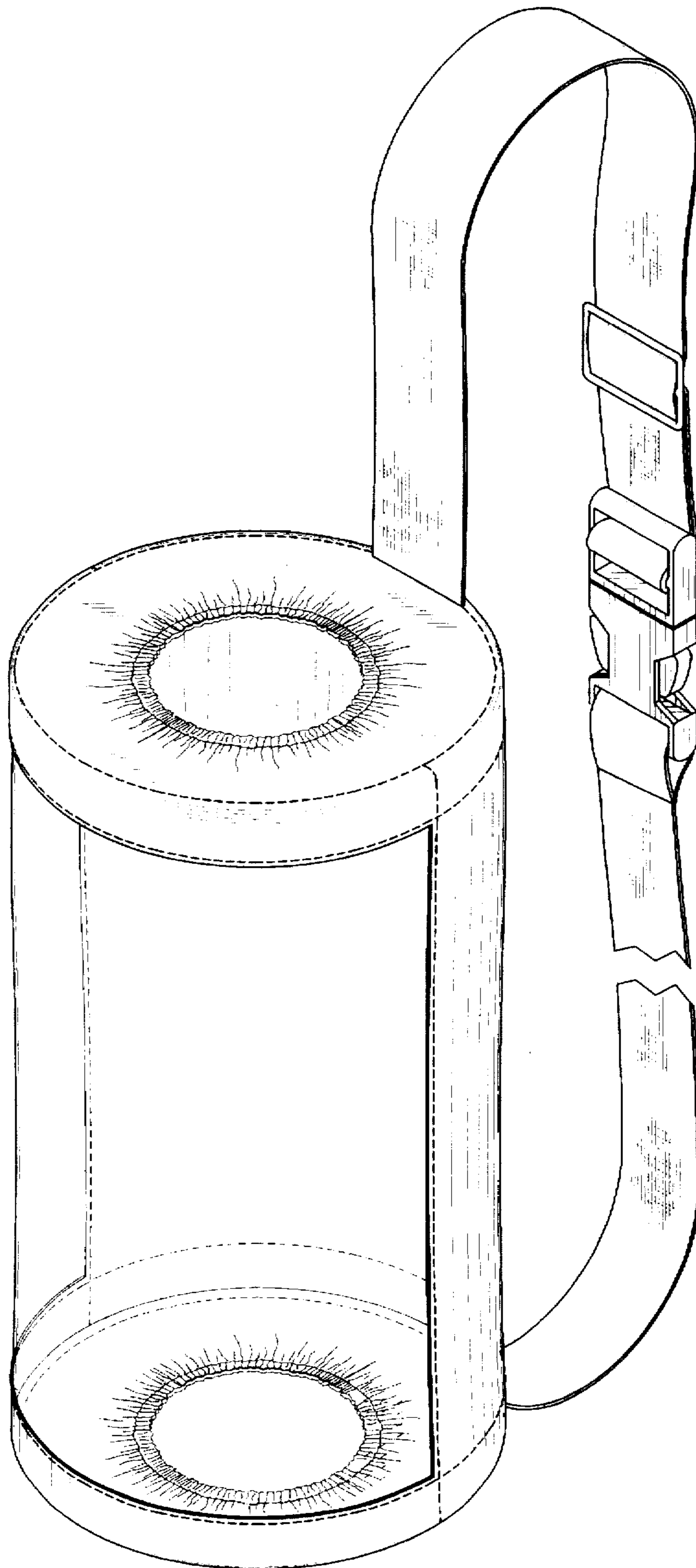


FIG. 8

