

US00D393363S

United States Patent [19]
Kataoka

[11] **Patent Number: Des. 393,363**
[45] **Date of Patent: **Apr. 14, 1998**

- [54] **BABY HOLDER**
- [75] **Inventor: Sachiyo Kataoka, Osaka, Japan**
- [73] **Assignee: Aprica Kassai Kabushikikaisha, Osaka, Japan**
- [**] **Term: 14 Years**
- [21] **Appl. No.: 62,656**
- [22] **Filed: Nov. 21, 1996**
- [30] **Foreign Application Priority Data**
 - Jun. 26, 1996 [JP] Japan 8-19062
- [51] **LOC (6) Cl. 03-01**
- [52] **U.S. Cl. D3/215**
- [58] **Field of Search D3/213, 214, 215;**
 - 224/157, 158, 159, 161, 270

- 5,011,056 4/1991 Larreategui 224/159
- 5,195,666 3/1993 Yamaguchi et al. 224/159
- 5,224,637 7/1993 Colombo 224/159
- 5,492,256 2/1996 Ive 224/681 X

Primary Examiner—Doris V. Coles
Assistant Examiner—Catherine R. Oliver
Attorney, Agent, or Firm—W. G. Fasse; W. F. Fasse

[57] **CLAIM**

The ornamental design for a baby holder, as shown and described.

DESCRIPTION

FIG. 1 is a front view of a baby holder showing my new design;
FIG. 2 is a rear view thereof;
FIG. 3 is a top plan view thereof;
FIG. 4 is a bottom plan view thereof;
FIG. 5 is a left side view thereof;
FIG. 6 is a right side view thereof;
FIG. 7 is a perspective view thereof; and,
FIG. 8 is a right side view thereof, with the backrest shown in a position of non-use.

[56] **References Cited**

U.S. PATENT DOCUMENTS

- D. 363,598 10/1995 Walters et al. D3/215
- 4,901,898 2/1990 Colombo et al. D3/213 X

1 Claim, 8 Drawing Sheets

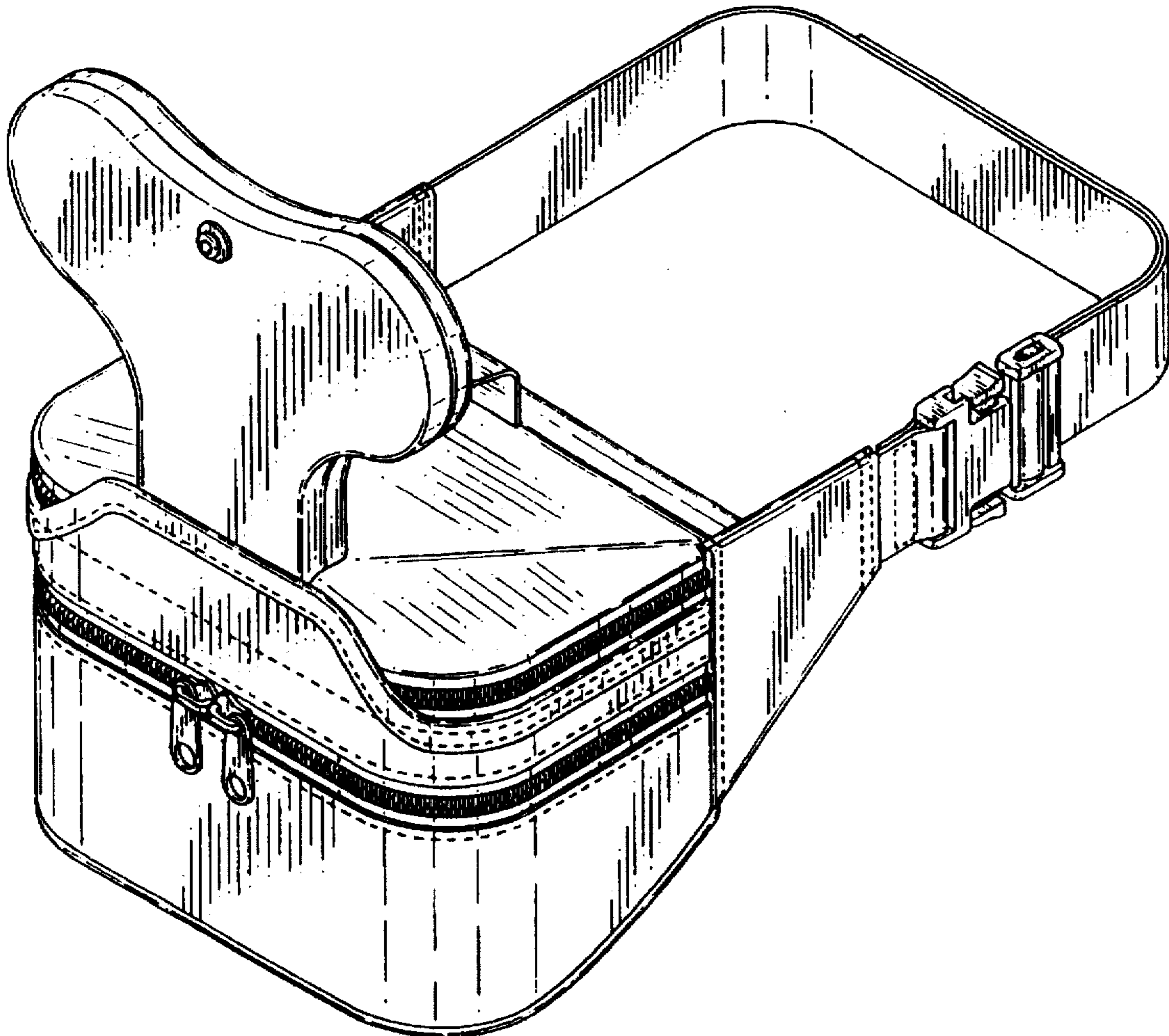


FIG. 1

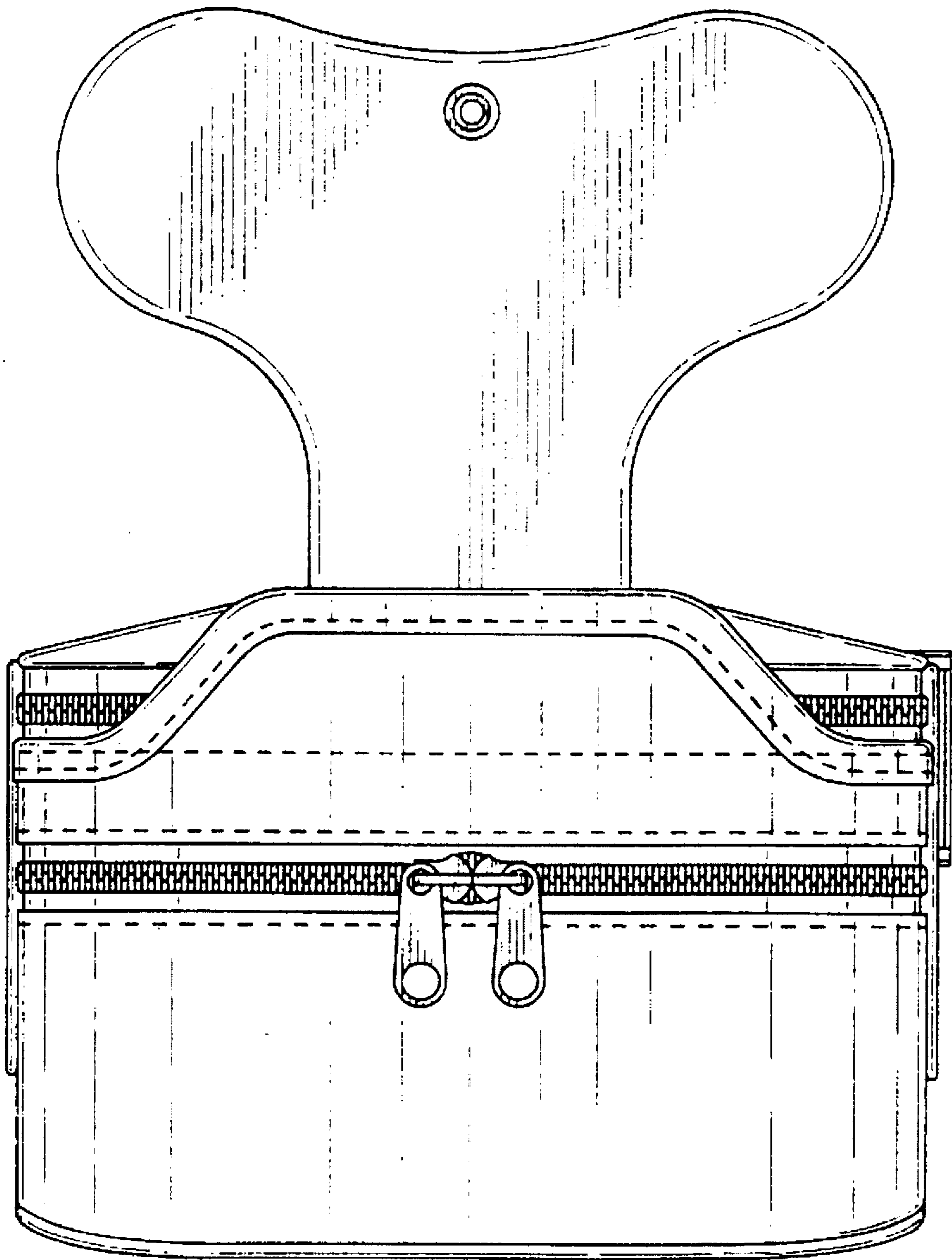


FIG. 2

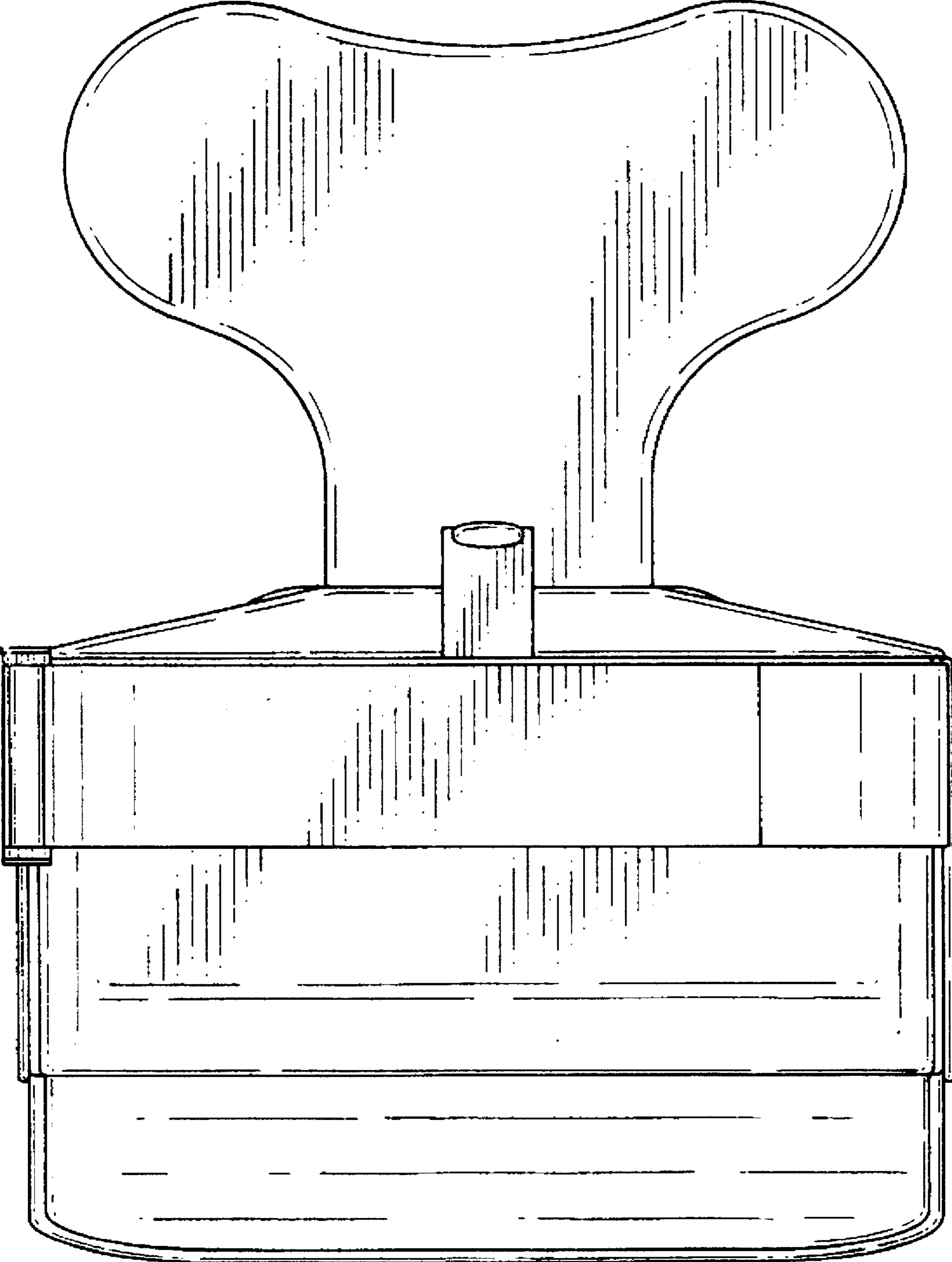


FIG. 3

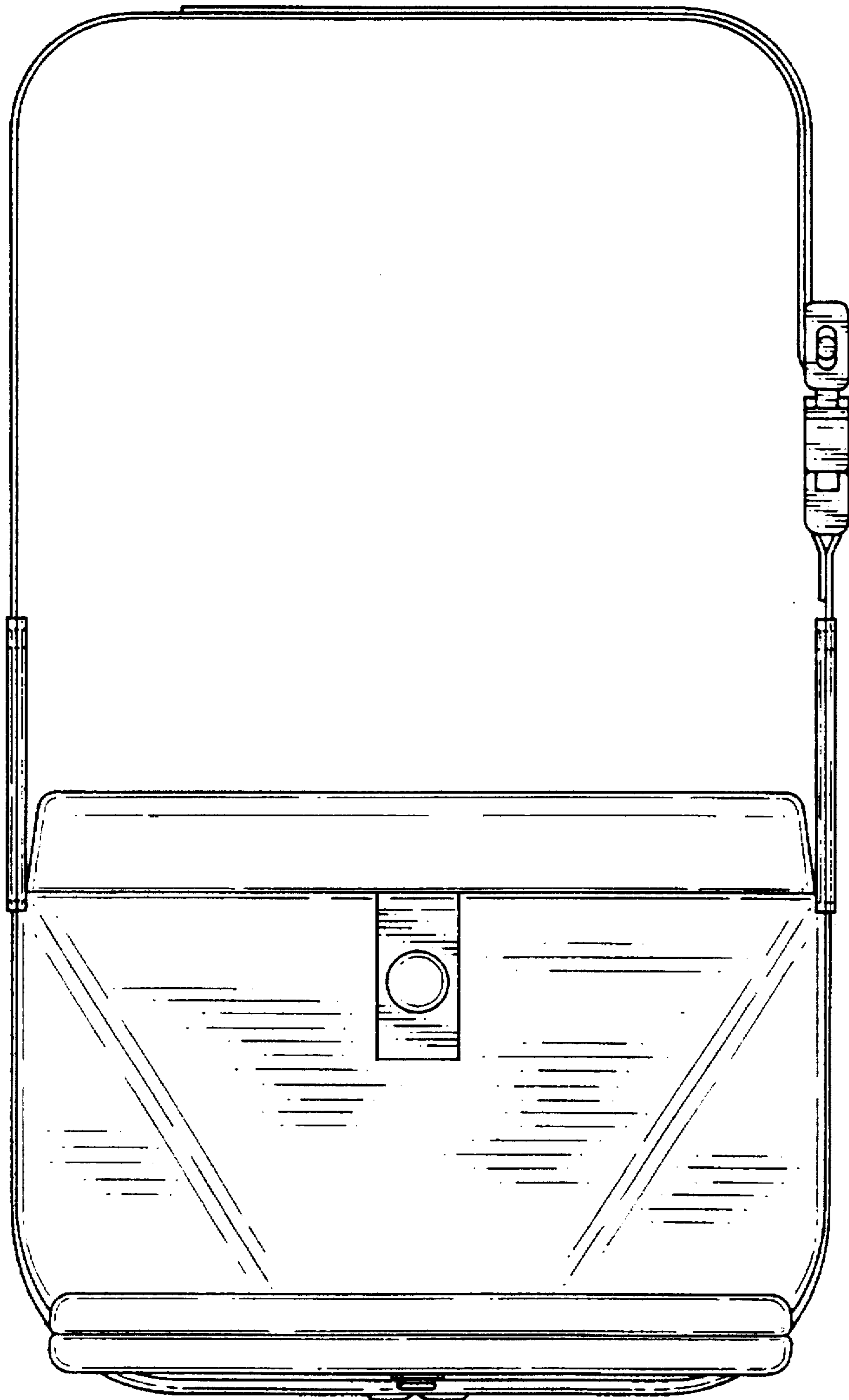
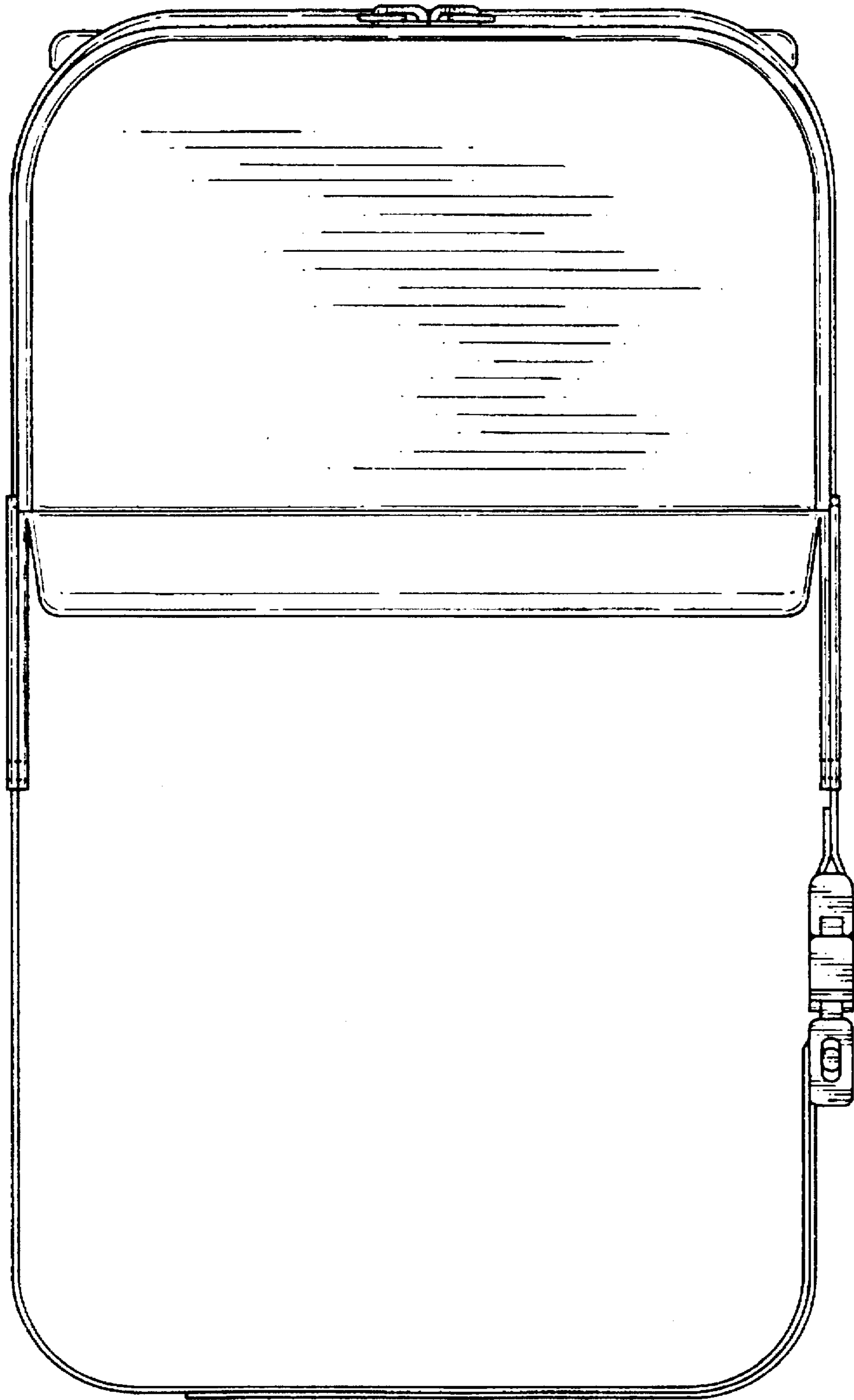


FIG. 4



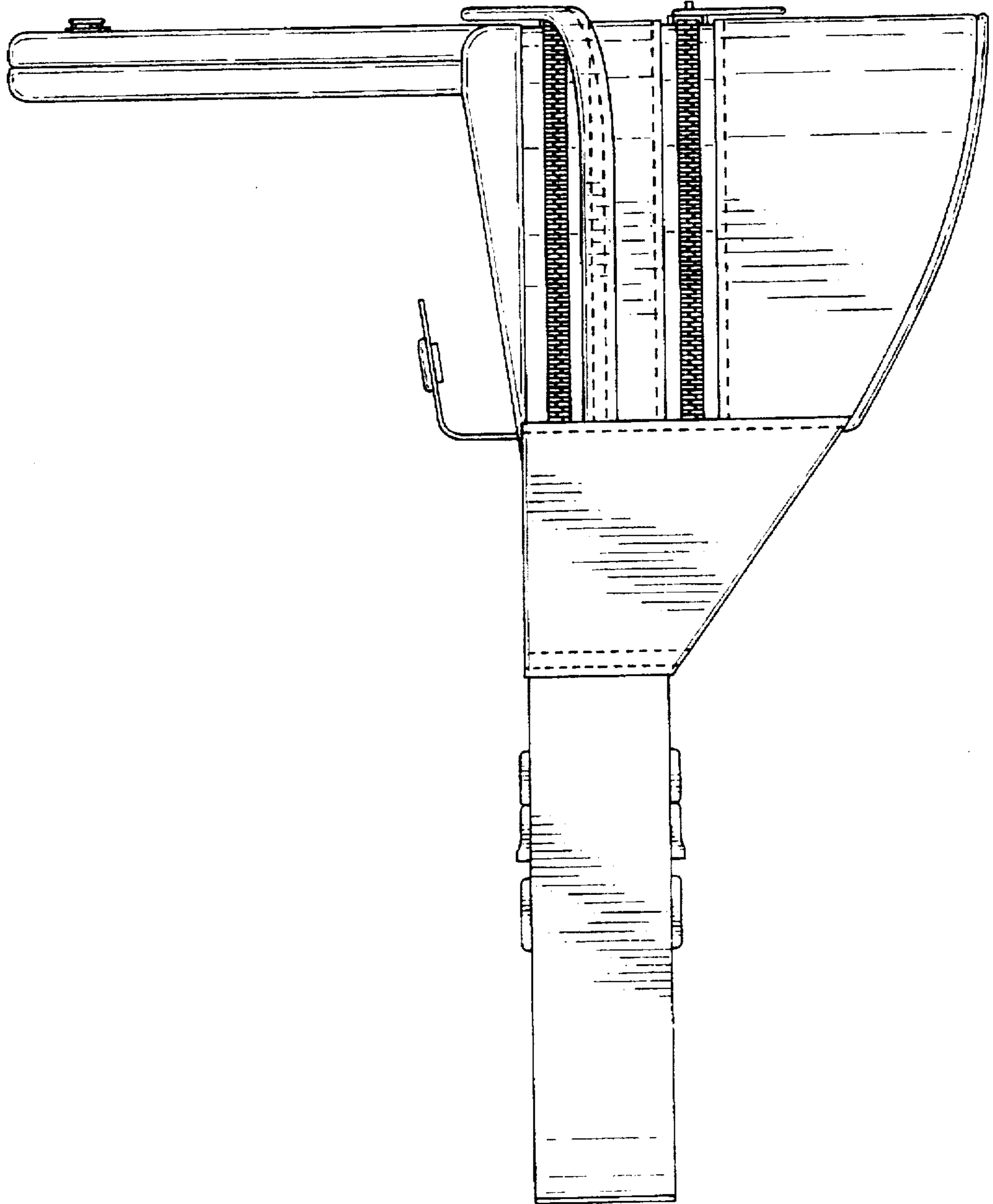


FIG. 5

FIG. 6

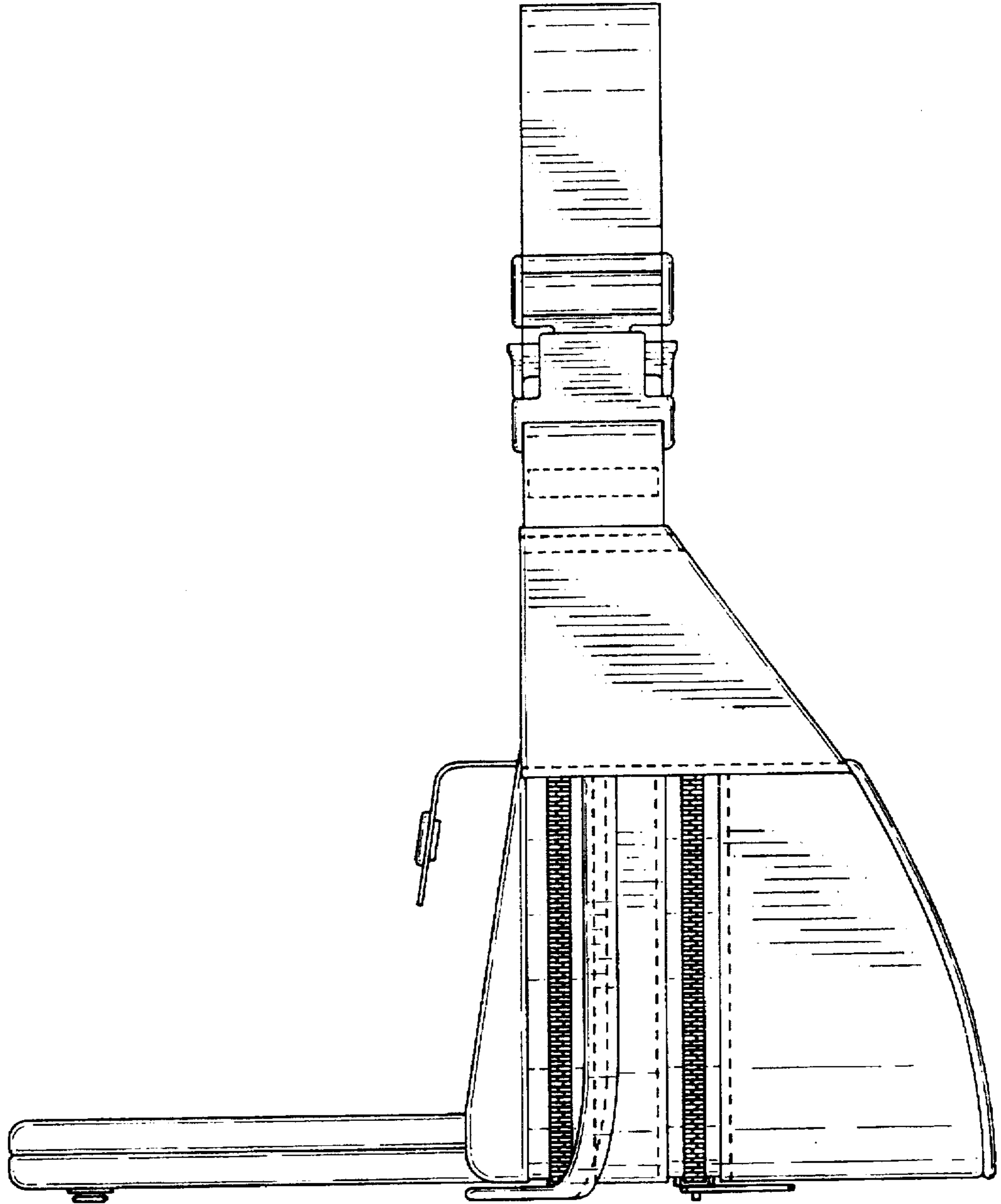


FIG. 7

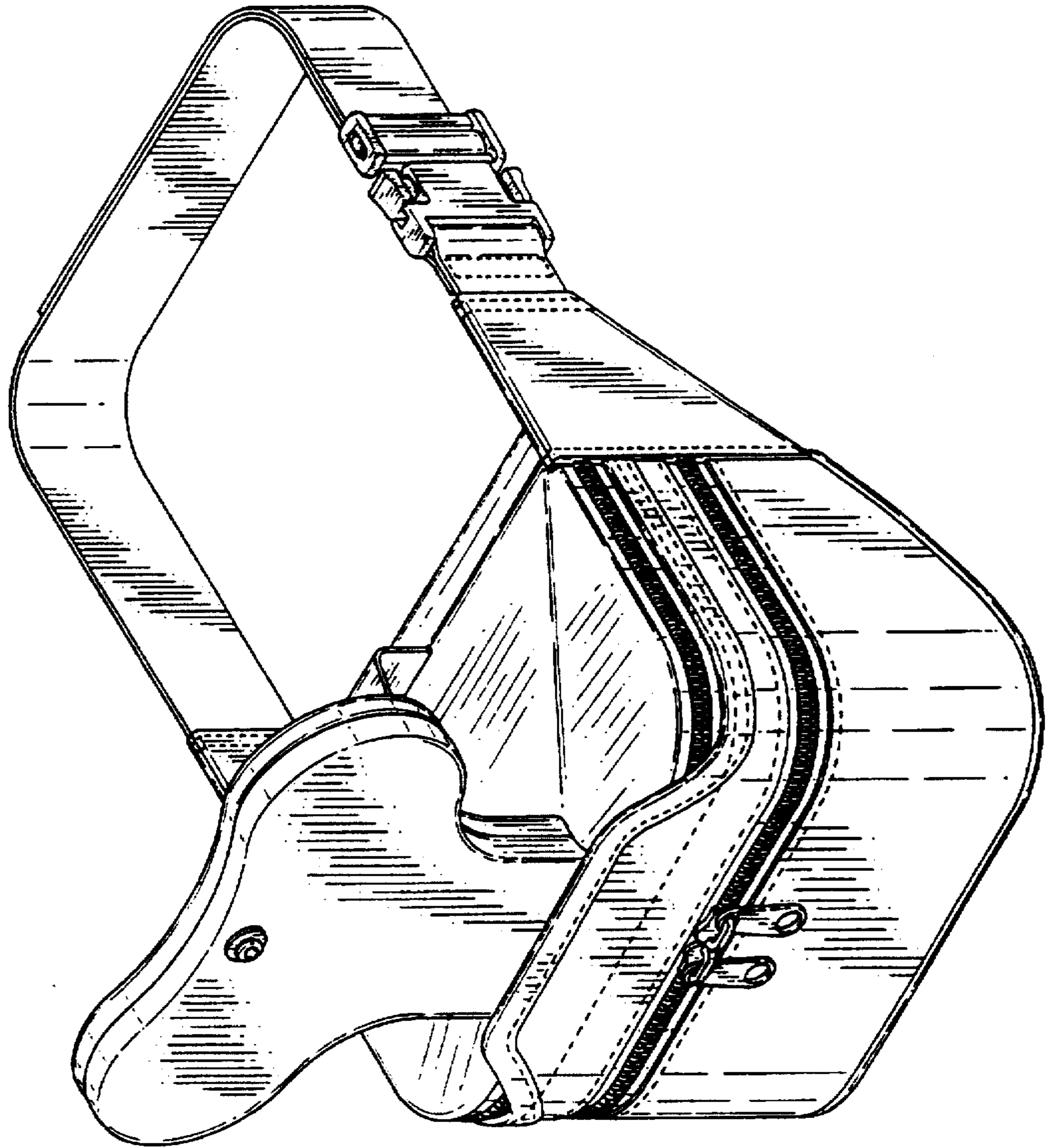
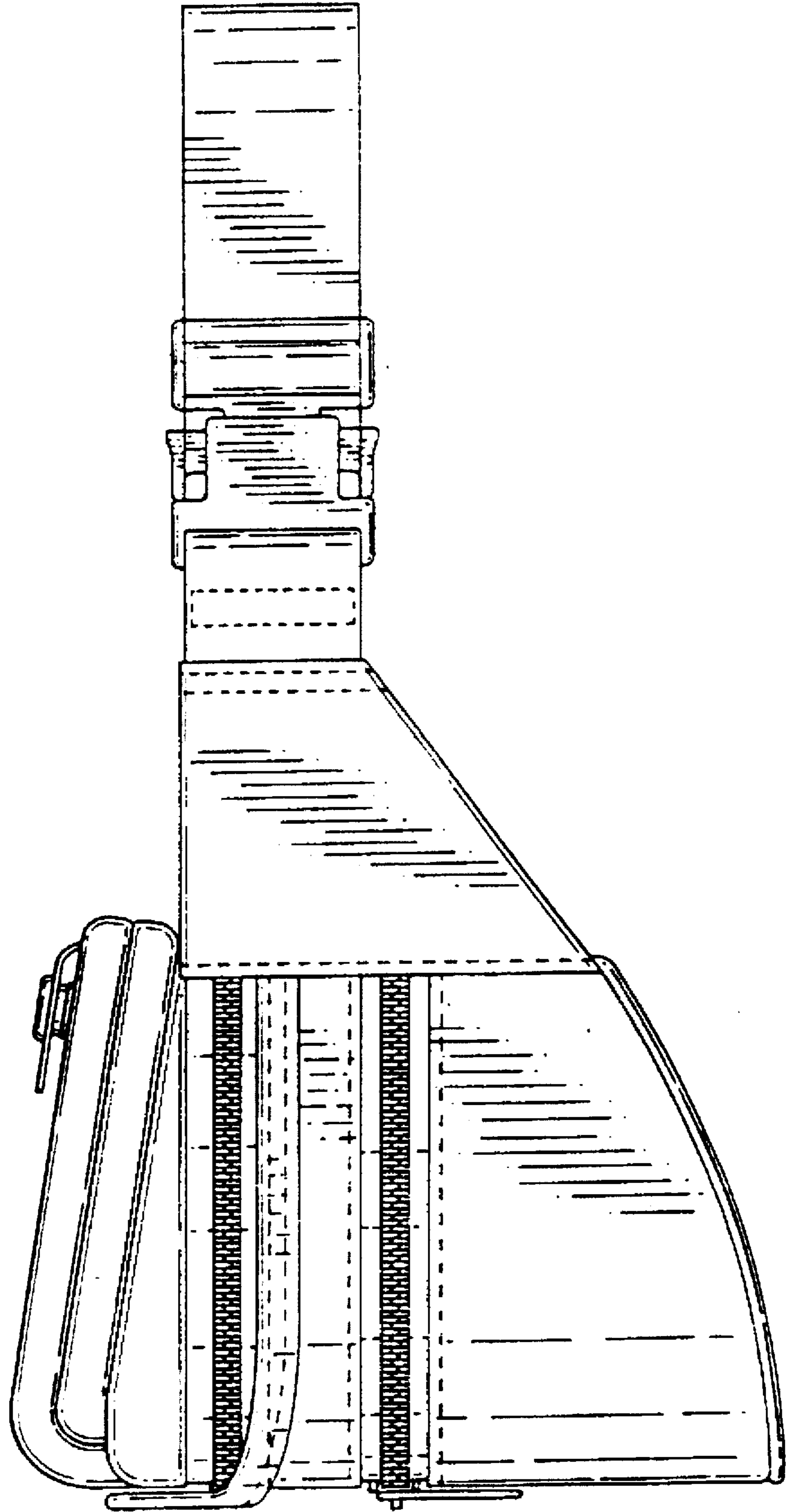


FIG. 8



**UNITED STATES PATENT AND TRADEMARK OFFICE
CERTIFICATE OF CORRECTION**

PATENT NO. : Des. 393,363

DATED : Apr. 14, 1998

INVENTOR(S) : Kataoka

It is certified that error appears in the above-identified patent and that said Letters Patent is hereby corrected as shown below.

On the title page, under [56] References Cited, U.S. PATENT DOCUMENTS, following line 6, insert the following Reference:

5,292,042 3/1994 Yamaguchi et al. 224/159.

Signed and Sealed this
Sixteenth Day of June, 1998

Attest:



BRUCE LEHMAN

Attesting Officer

Commissioner of Patents and Trademarks