



US00D393333S

United States Patent [19]

Kibler et al.

[11] Patent Number: **Des. 393,333**

[45] Date of Patent: ****Apr. 7, 1998**

[54] **DETERGENT DISPENSER**

[75] Inventors: **Lawrence R. Kibler; David W. Carr; Kenneth Todd Shelley**, all of St. Joseph, Mich.

[73] Assignee: **Whirlpool Corporation**, Benton Harbor, Mich.

[**] Term: **14 Years**

[21] Appl. No.: **62,632**

[22] Filed: **Nov. 20, 1996**

[51] LOC (6) Cl. **15-05**

[52] U.S. Cl. **D32/3**

[58] Field of Search D32/1, 2, 3, 5, D32/6, 25, 28; 68/139, 140, 142, 172, 173; 134/56 D, 57 D, 57 DL, 60, 93, 58 DL, 58 R; 312/109

[56] References Cited

U.S. PATENT DOCUMENTS

- D. 174,022 2/1955 Combs D32/28
- D. 320,487 10/1991 Marks et al. D32/3

- D. 320,488 10/1991 Marks et al. D32/3
- D. 352,578 11/1994 Mooney et al. D32/3
- D. 377,853 2/1997 Sparks D32/3
- D. 385,069 10/1997 Hughes et al. D32/3
- D. 385,071 10/1997 Hughes et al. D32/3

Primary Examiner—Sandra L. Morris
Assistant Examiner—Mitchell I. Siegel
Attorney, Agent, or Firm—Thomas J. Roth; Robert O. Rice; Stephen D. Krefman

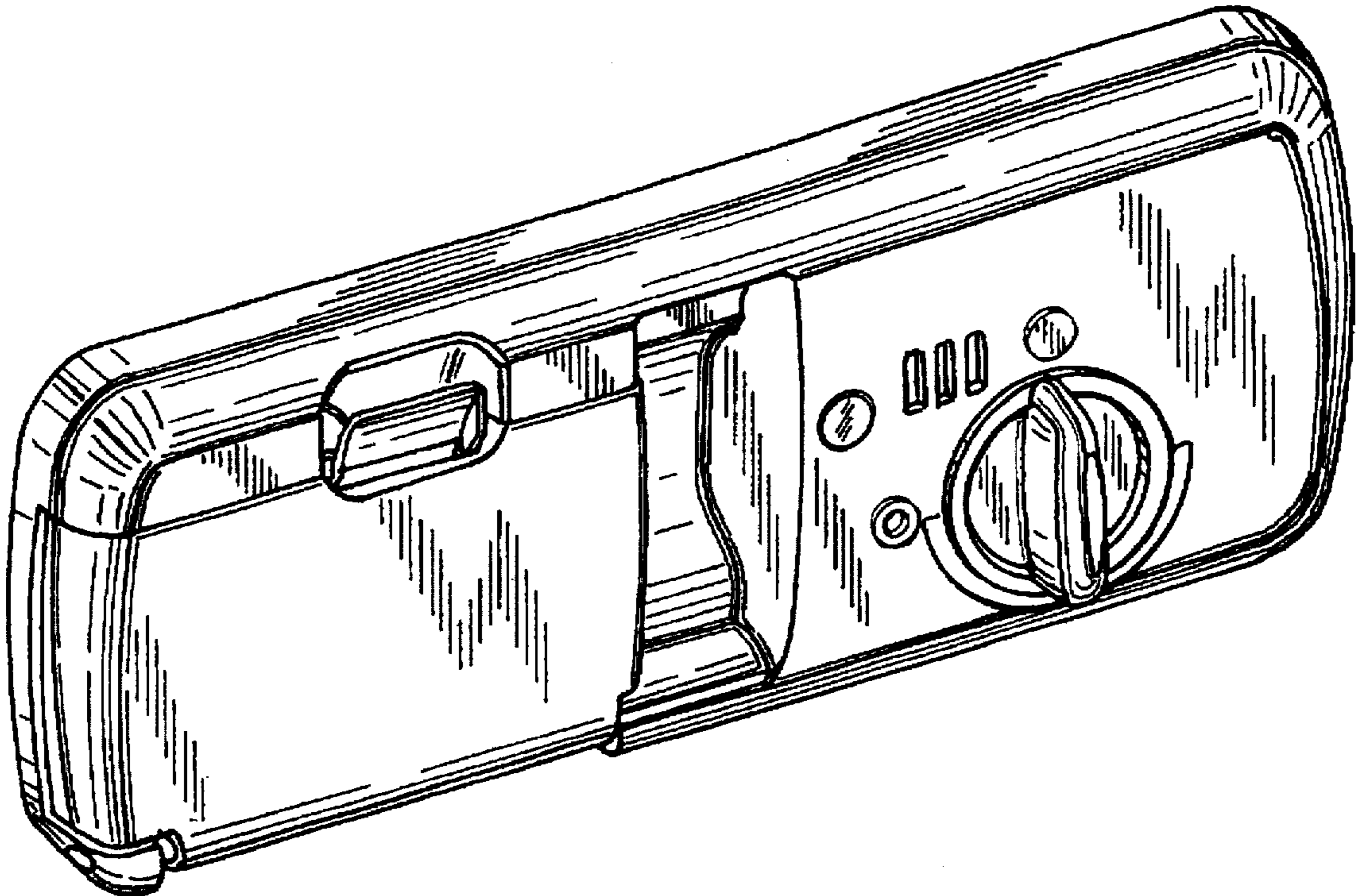
[57] CLAIM

The ornamental design for a detergent dispenser, as shown and described.

DESCRIPTION

FIG. 1 is a perspective view of a detergent dispenser showing our new design;
FIG. 2 is a front elevational view of the detergent dispenser of FIG. 1;
FIG. 3 is a slightly enlarged left end view;
FIG. 4 is a slightly enlarged right end view;
FIG. 5 is a top plan view; and,
FIG. 6 is a bottom plan view.

1 Claim, 2 Drawing Sheets



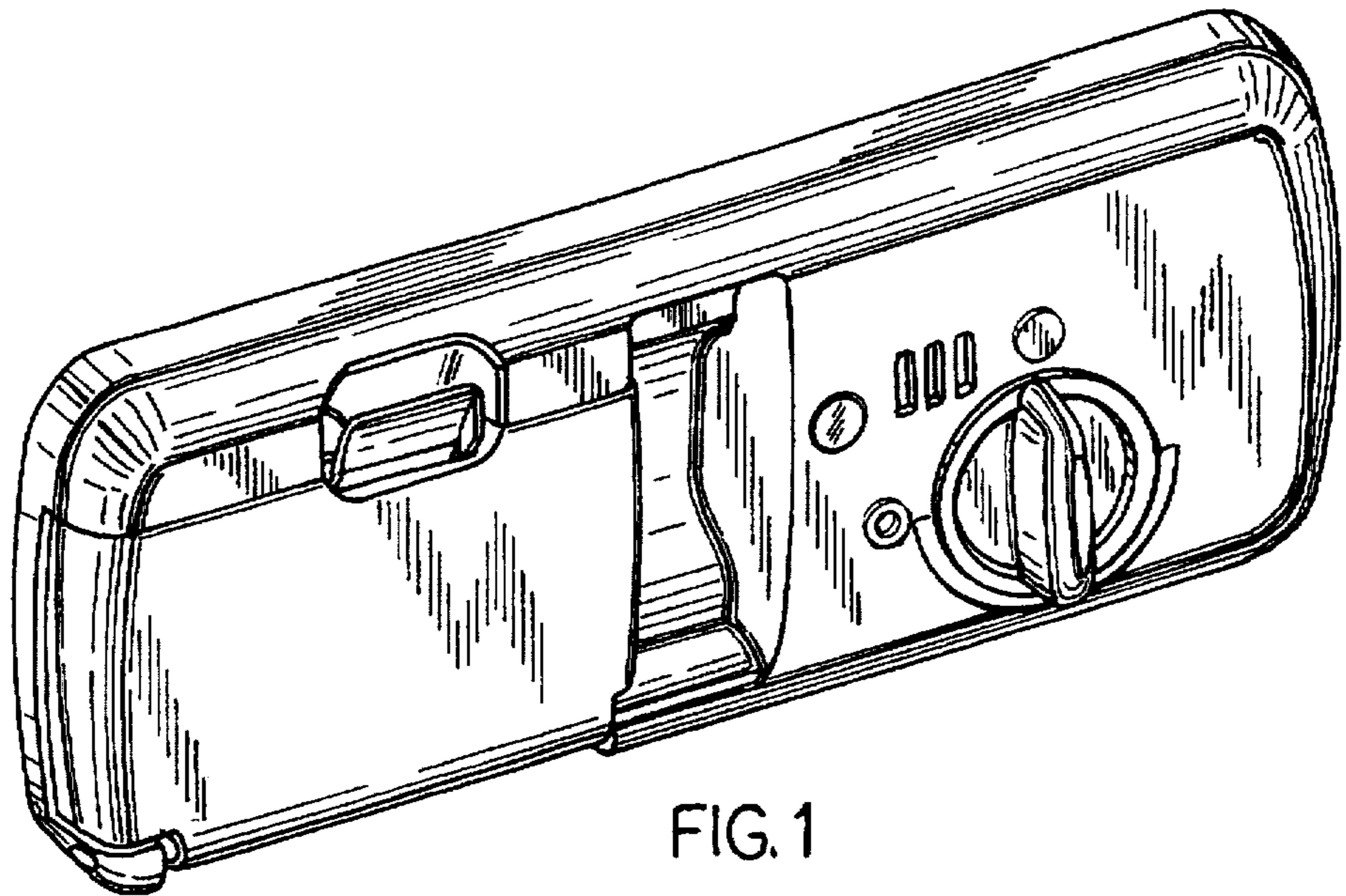


FIG. 1

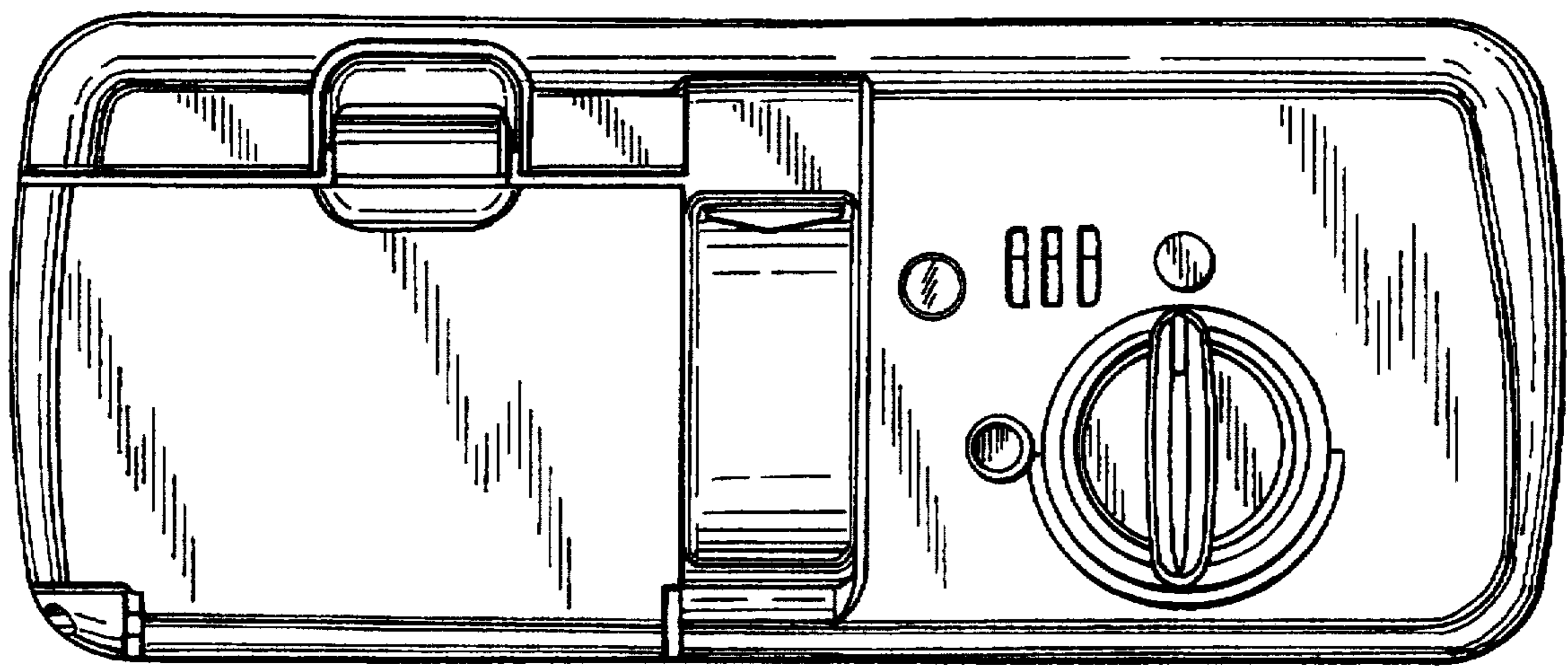


FIG. 2

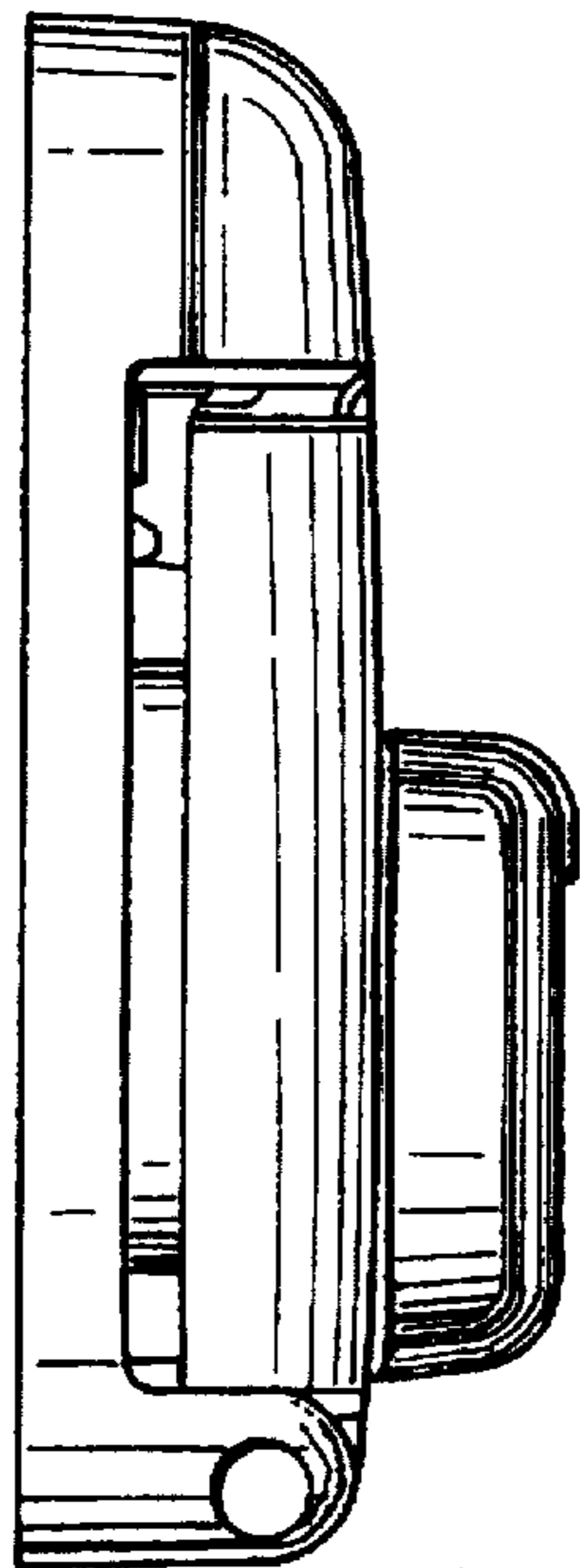


FIG. 3

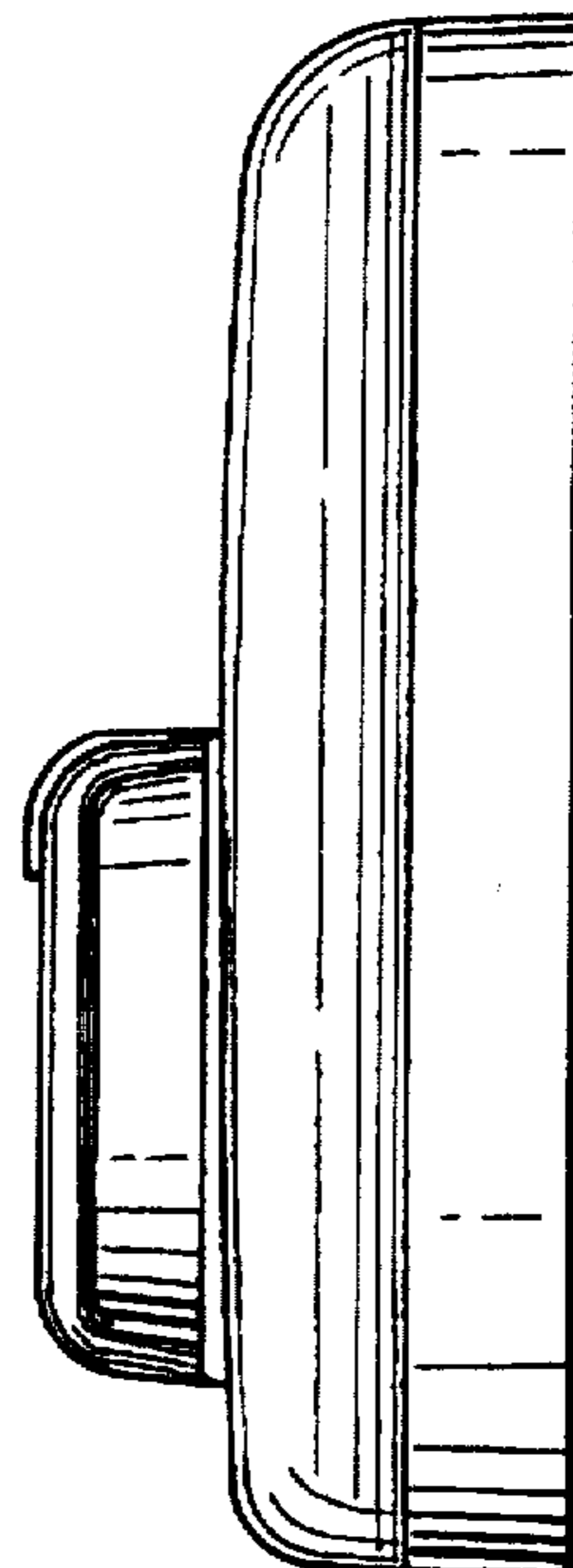


FIG. 4

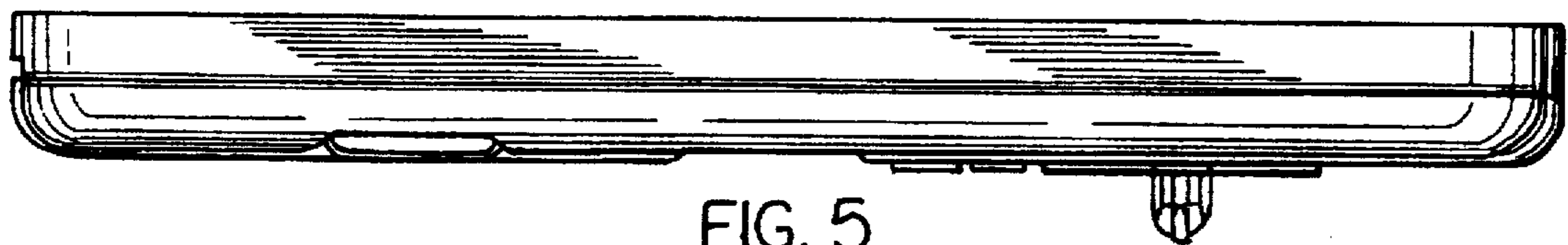


FIG. 5

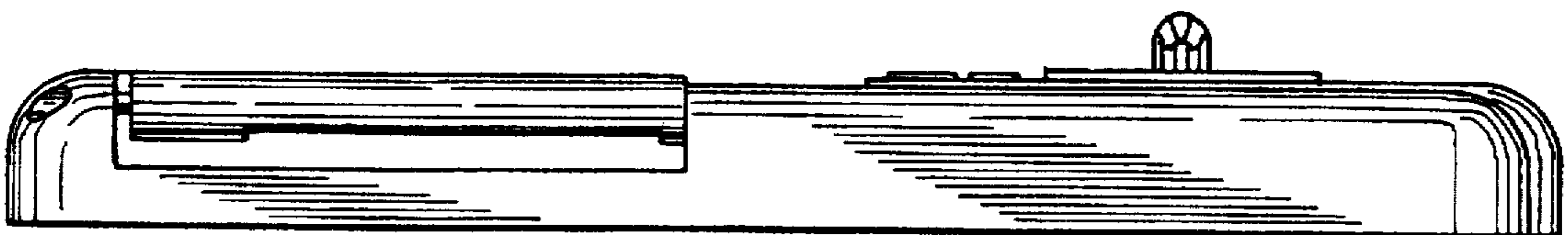


FIG. 6