

US00D393329S

United States Patent [19]

Ido et al.

[11] Patent Number: Des. 393,329

[45] Date of Patent: **Apr. 7, 1998

- [54] RAZOR HOLDER
- [75] Inventors: **Kiyoshi Ido; Shigeru Goto**, both of Sheki, Japan
- [73] Assignee: **Feather Safety Razor Co., Ltd.**, Osaka, Japan
- [**] Term: 14 Years
- [21] Appl. No.: 48,749
- [22] Filed: Jan. 6, 1995

395526	8/1923	Germany	30/346.5
11216	6/1890	United Kingdom	30/88
13977	1/1912	United Kingdom	30/32
317623	8/1929	United Kingdom	30/32

OTHER PUBLICATIONS

“La Coiffure de Paris 8583”, Mar. 1, 1983, p. 50 bottom advertisement and photograph of the product shown.

Primary Examiner—Ted Shooman
Assistant Examiner—C. Tuttle
Attorney, Agent, or Firm—Ladas & Parry

[57] CLAIM

The ornamental design for a “razor holder”, as shown and described.

Related U.S. Application Data

- [63] Continuation of Ser. No. 16,296, Dec. 13, 1993, abandoned.

[30] Foreign Application Priority Data

Jun. 15, 1993 [JP] Japan 5-17605

- [51] LOC (6) Cl. 28-03
- [52] U.S. Cl. D28/45; D8/99
- [58] Field of Search D28/44, 45; D8/99, D8/107, DIG. 7; 30/32, 47, 53-55, 87, 88

DESCRIPTION

FIG. 1 is a perspective view of a “razor holder” showing our new design;
 FIG. 2 is a right side elevational view shown in combination with a razor for illustrative purposes;
 FIG. 3 is a right side elevational view;
 FIG. 4 is a front end elevational view thereof;
 FIG. 5 is a rear end elevational view thereof;
 FIG. 6 is a sectional view thereof taken along the line 6—6 of FIG. 3;
 FIG. 7 is a sectional view thereof taken along the line 7—7 of FIG. 3;
 FIG. 8 is a sectional view thereof taken along the line 8—8 of FIG. 3;
 FIG. 9 is a top plan view thereof;
 FIG. 10 is a bottom plan view thereof;
 FIG. 11 is a side elevational view shown in a partially folded position; and
 FIG. 12 is a side elevational view shown in a fully folded position.
 The broken line showing of the razor is for illustrative purposes only and forms no part of the claimed design.

[56] References Cited

U.S. PATENT DOCUMENTS

D. 302,344	7/1989	Baker	D28/45
D. 344,155	2/1994	Ueno et al.	D28/45
610,770	9/1898	Schnabel	30/346.61 X
1,269,497	6/1918	Orr et al.	30/346.61 X
3,255,523	6/1966	Robertson et al.	30/53 X
3,983,627	10/1976	Montrasi et al.	30/53
4,665,615	5/1987	Martinez	30/53

FOREIGN PATENT DOCUMENTS

985884	2/1951	France	30/32
--------	--------	--------------	-------

1 Claim, 3 Drawing Sheets

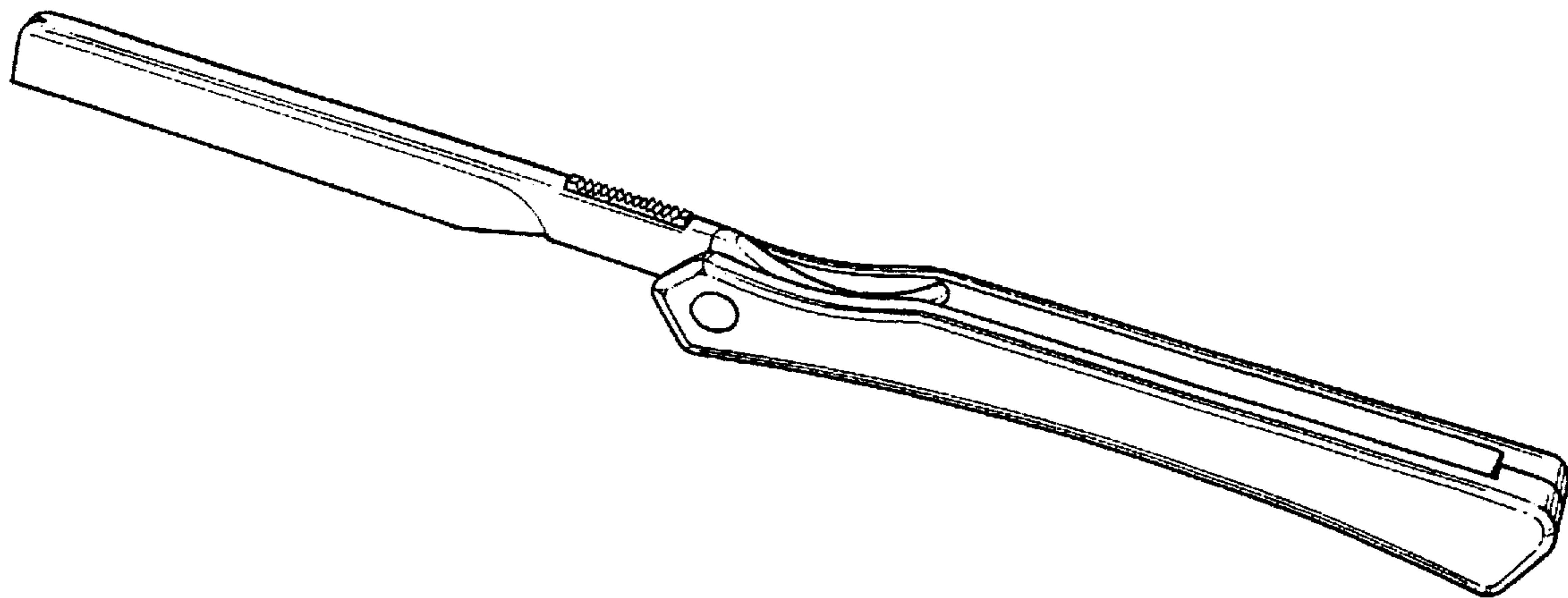


FIG.2

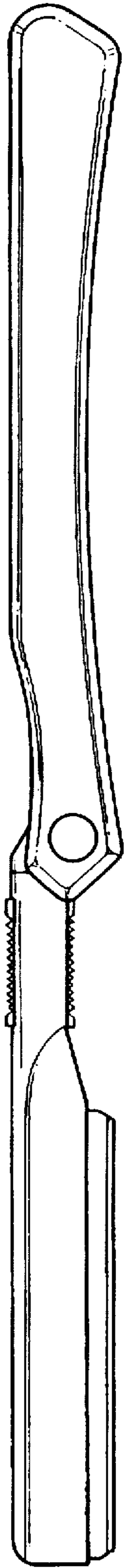


FIG.1

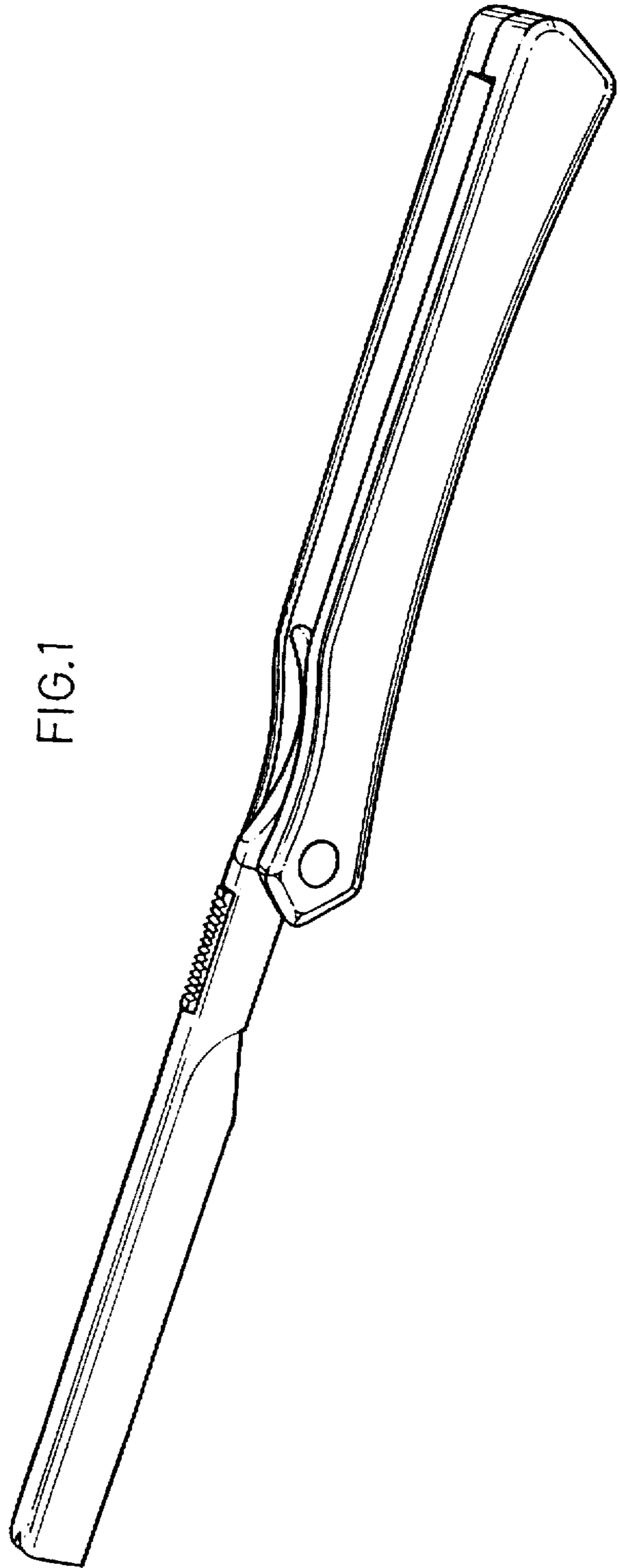


FIG.3

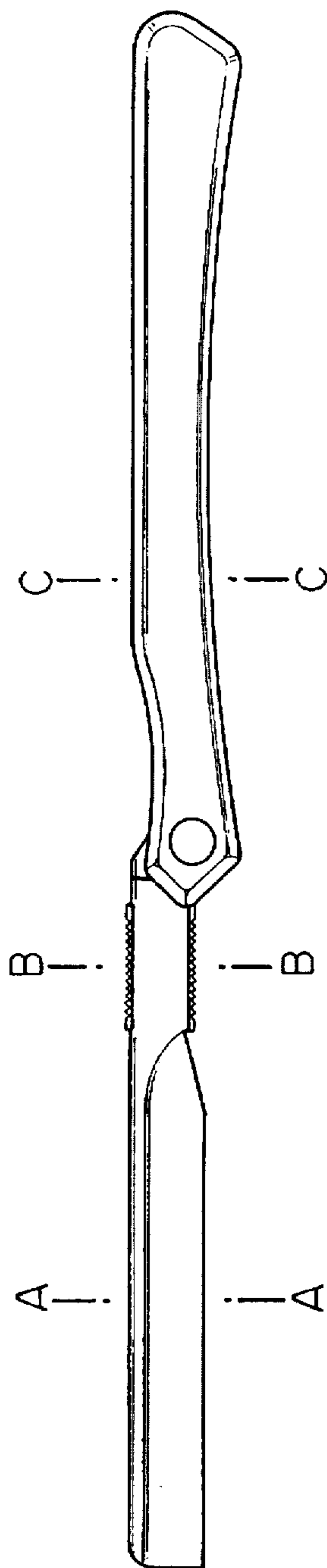


FIG.4

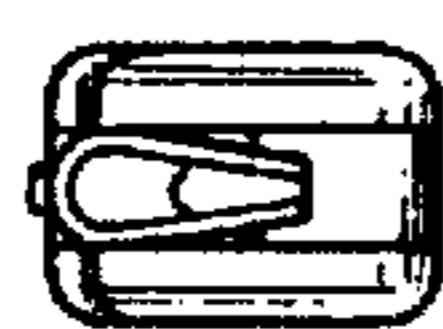


FIG.5



FIG.6

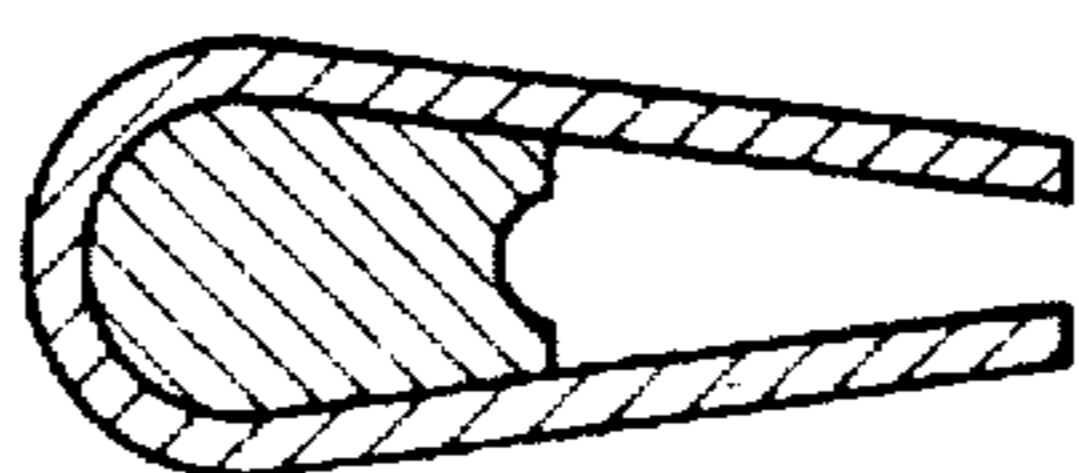


FIG.7

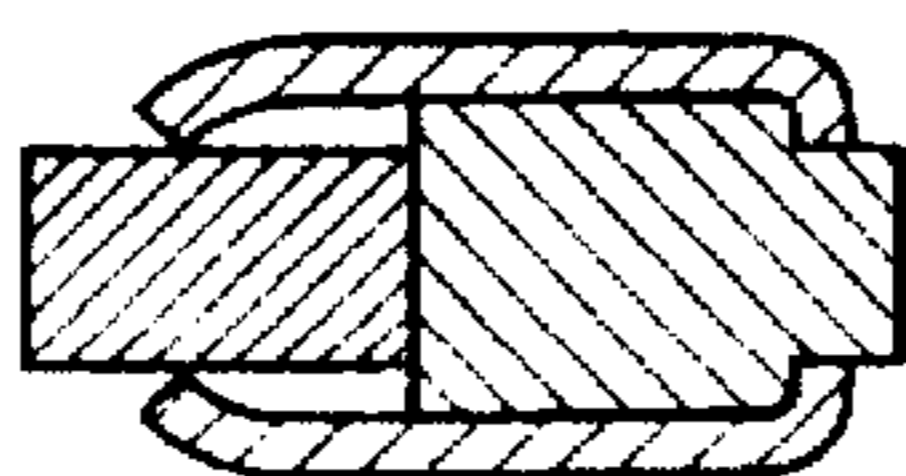


FIG.8

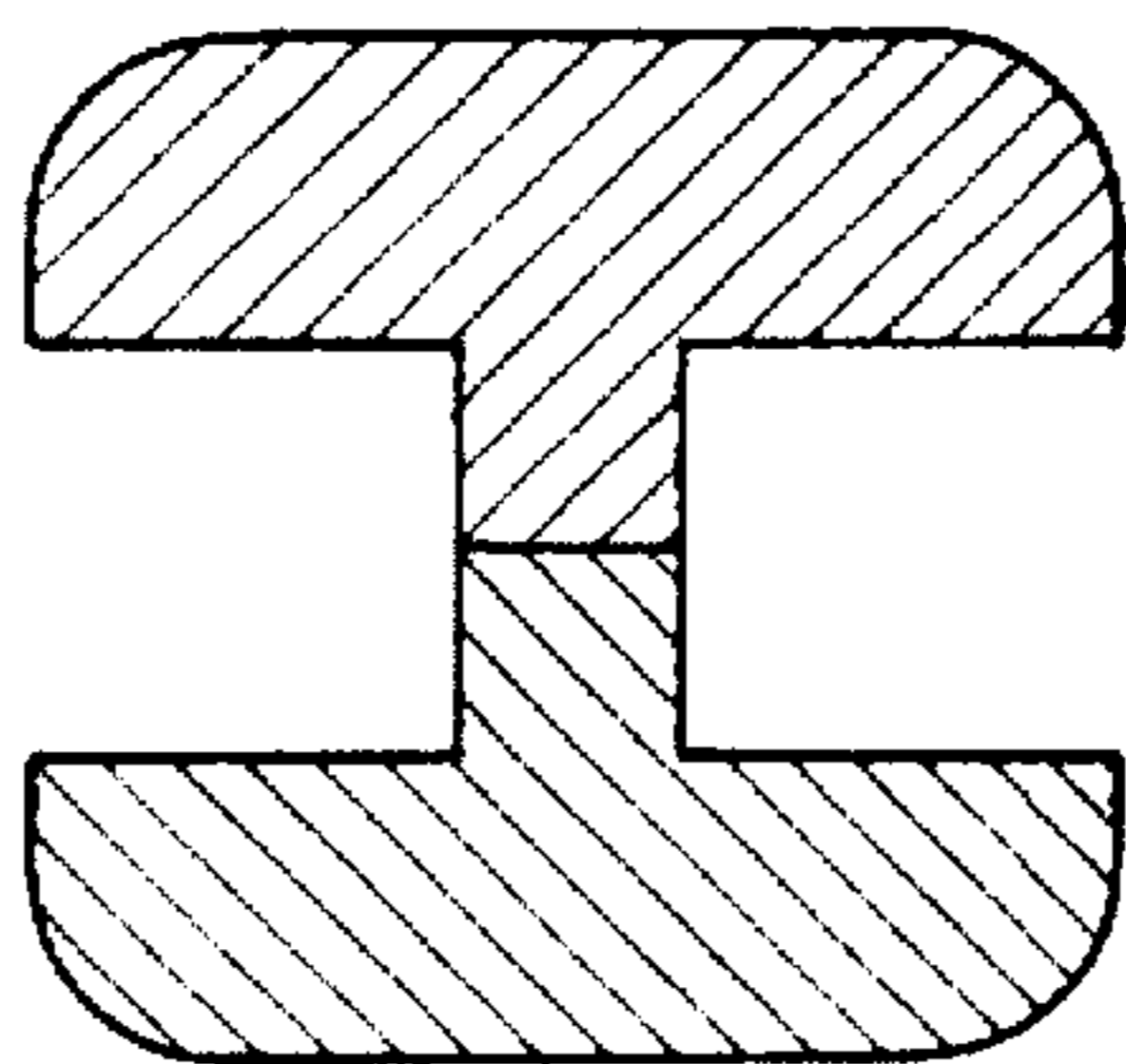


FIG.9



FIG.10

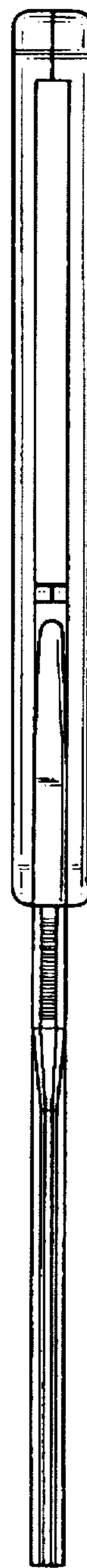


FIG. 11

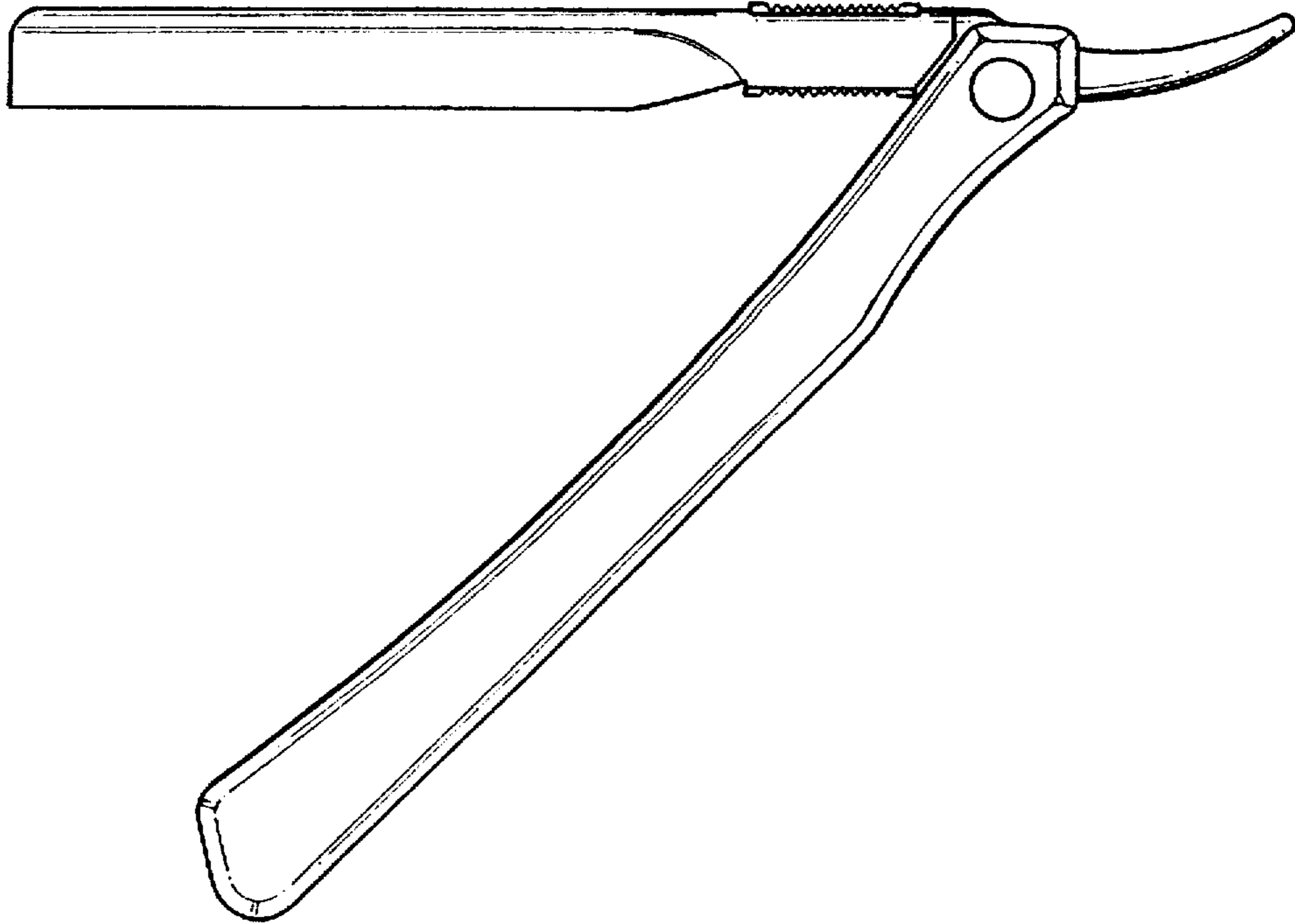


FIG. 12

