



US00D393323S

# United States Patent [19]

[11] Patent Number: Des. 393,323

Howard et al.

[45] Date of Patent: \*\*Apr. 7, 1998

[54] LANTERN

[75] Inventors: **John Donaldson Howard**, Brewster, N.Y.; **Gary Evan van Deursen**, Evergreen, Colo.

[73] Assignee: **The Coleman Company, Inc.**, Wichita, Kans.

[\*\*] Term: **14 Years**

[21] Appl. No.: **71,568**

[22] Filed: **Jun. 2, 1997**

[51] LOC (6) Cl. .... **26-02**

[52] U.S. Cl. .... **D26/41**

[58] Field of Search ..... D26/37-50; 362/157, 362/158, 159, 171, 172, 173, 174, 177, 178, 183-208

### [56] References Cited

#### U.S. PATENT DOCUMENTS

- D. 282,211 1/1986 Jang ..... D26/41
- D. 342,800 12/1993 Petterson et al. .... D26/41
- D. 374,099 9/1996 Bamber ..... D26/41

*Primary Examiner*—Marcus A. Jackson  
*Attorney, Agent, or Firm*—Fitzpatrick, Cella, Harper & Scinto

### [57] CLAIM

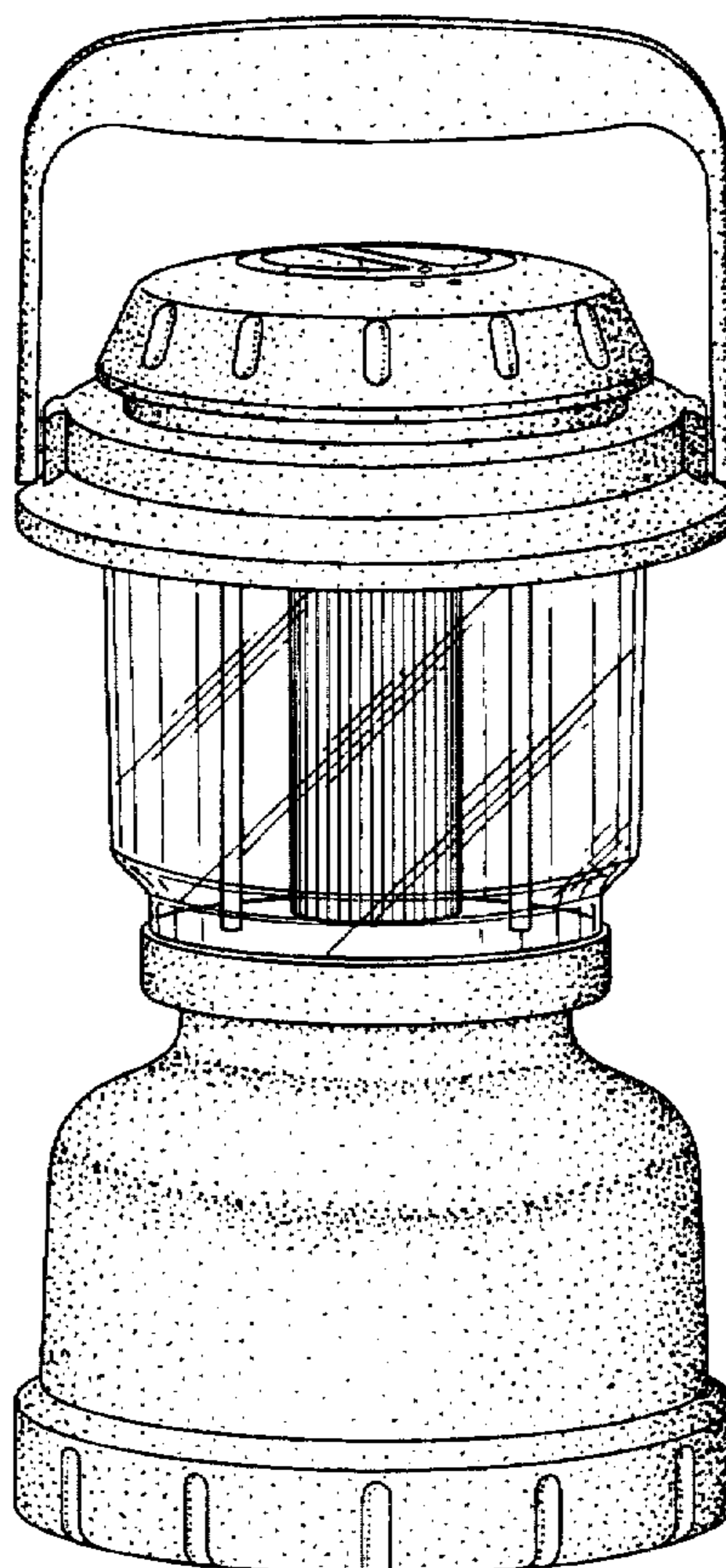
The ornamental design for a lantern, as shown and described.

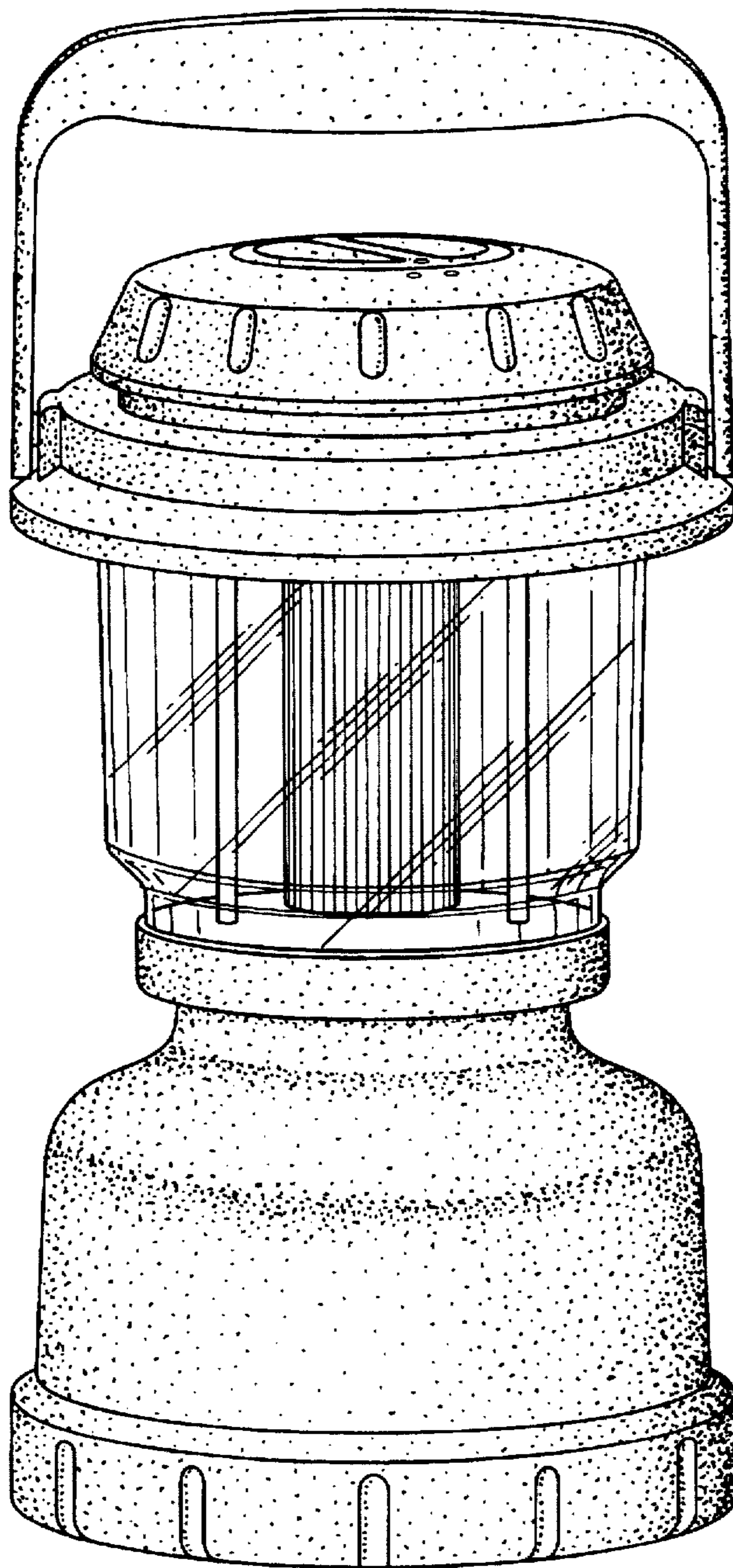
### DESCRIPTION

FIG. 1 is a perspective view thereof with a handle in a first position;  
 FIG. 2 is a front elevational view thereof with the handle in the first position;  
 FIG. 3 is a right side elevational view thereof with the handle in the first position;  
 FIG. 4 is a rear elevational view thereof with the handle in the first position;  
 FIG. 5 is a left side elevational view thereof with the handle in the first position;  
 FIG. 6 is a top plan view thereof with the handle in the first position;  
 FIG. 7 is a bottom plan view thereof with the handle in the first position;  
 FIG. 8 is a top plan view thereof with the handle in a second position; and  
 FIG. 9 is a left side elevational view thereof with the handle in the second position.

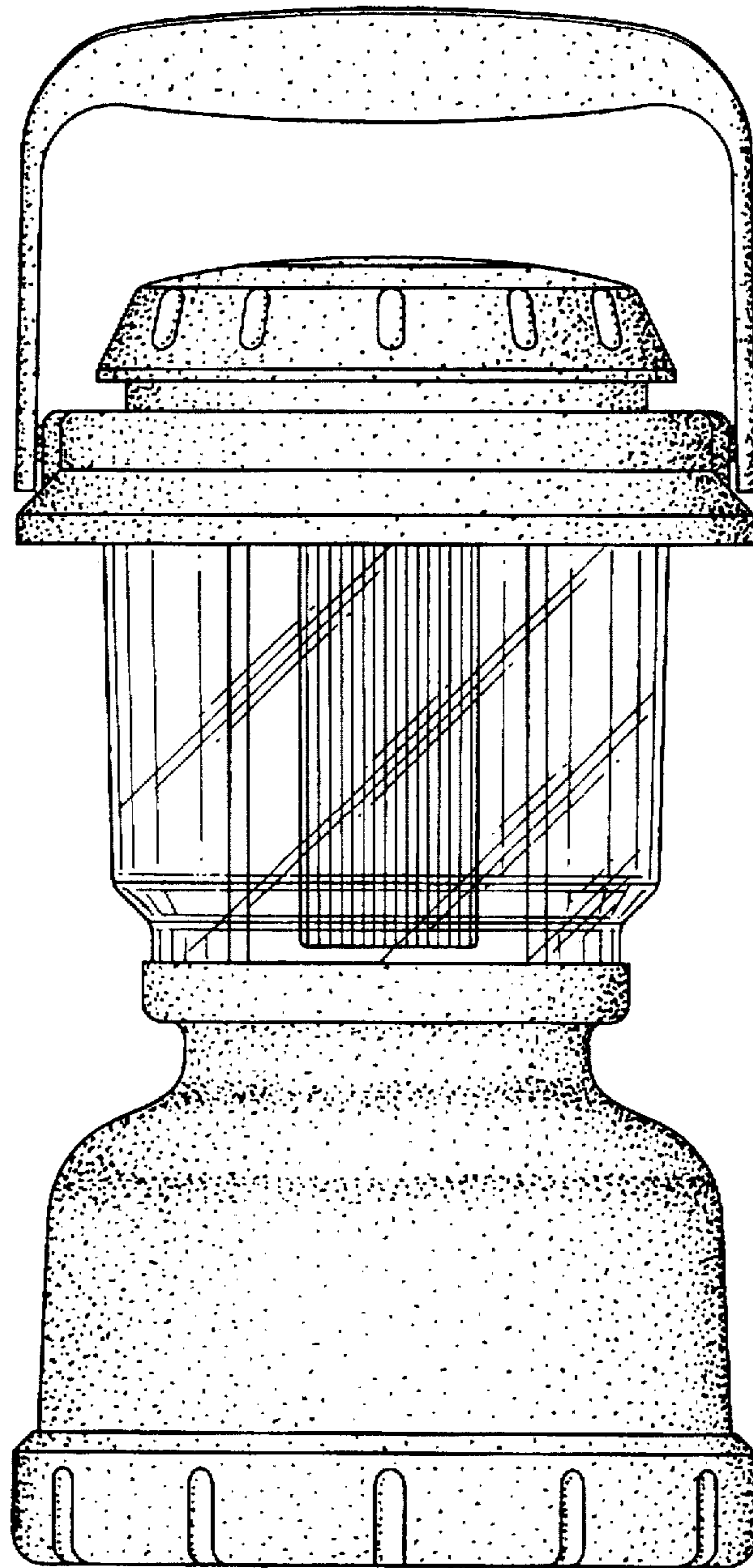
The perspective view, front elevational view, rear elevational view, right side elevational view and bottom plan view of the lantern with the handle in the second position have been omitted because these views are readily apparent from the views illustrated in FIGS. 8 and 9.

**1 Claim, 9 Drawing Sheets**



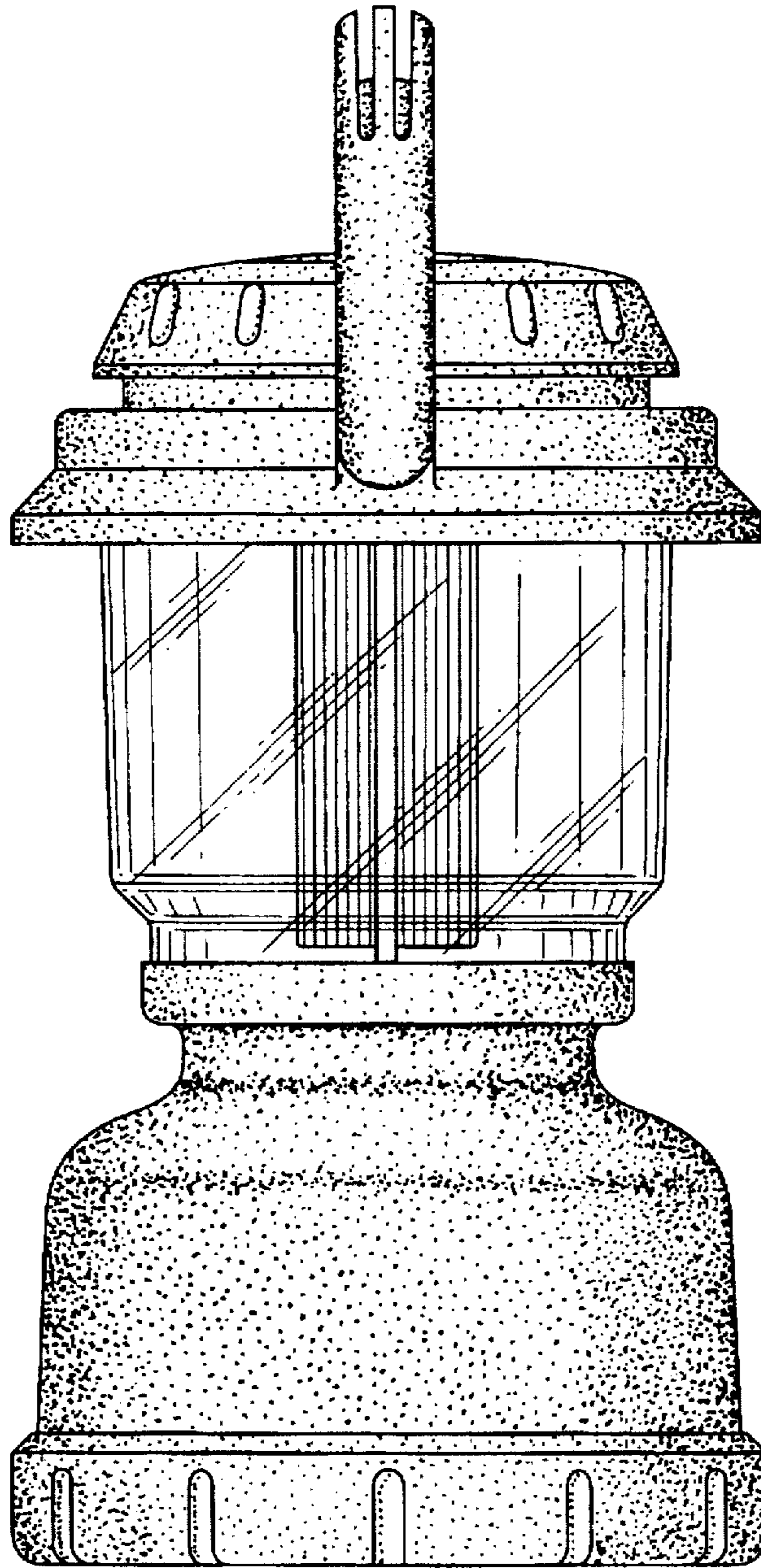


**FIG. 1**

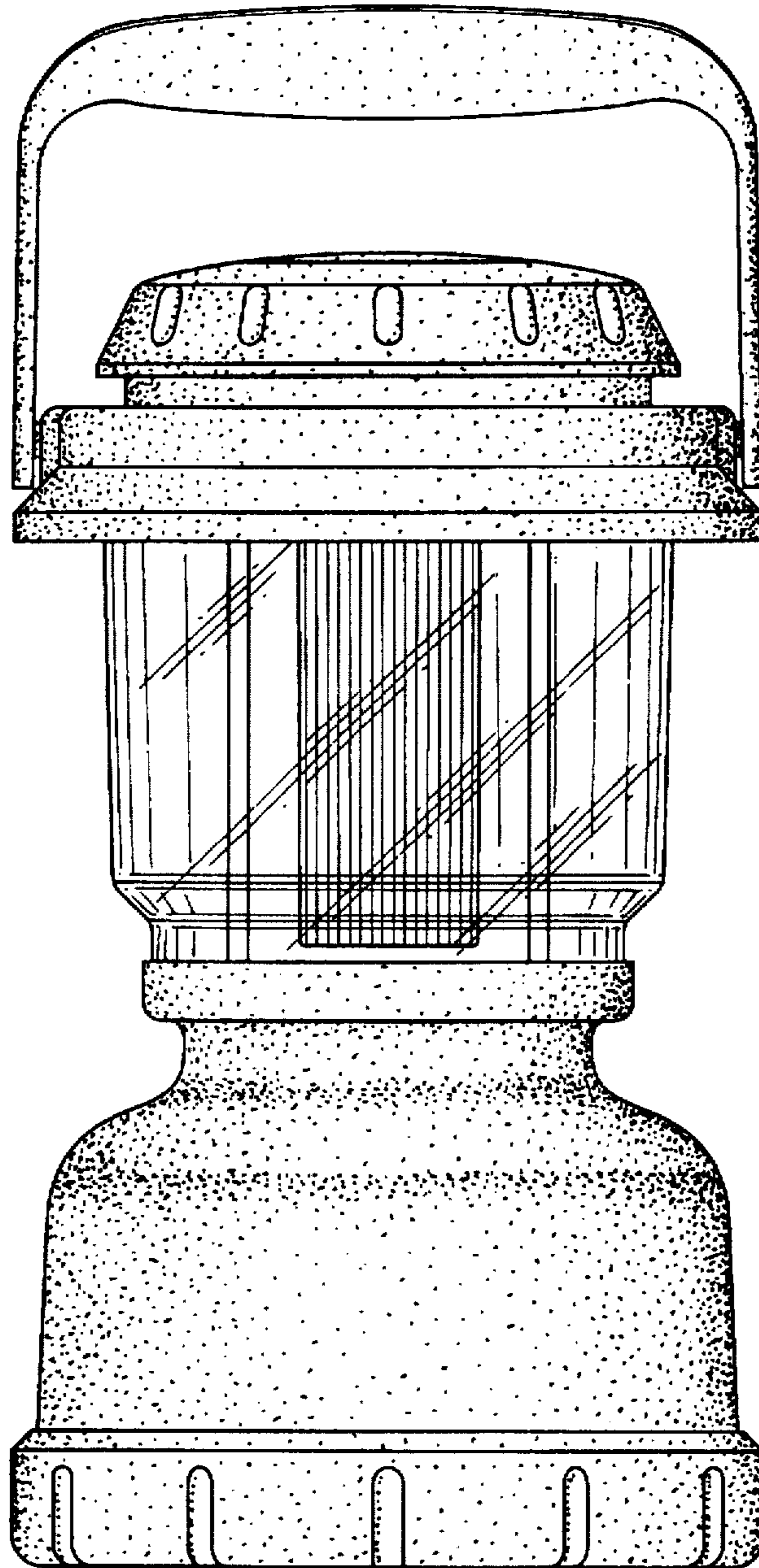


**FIG. 2**

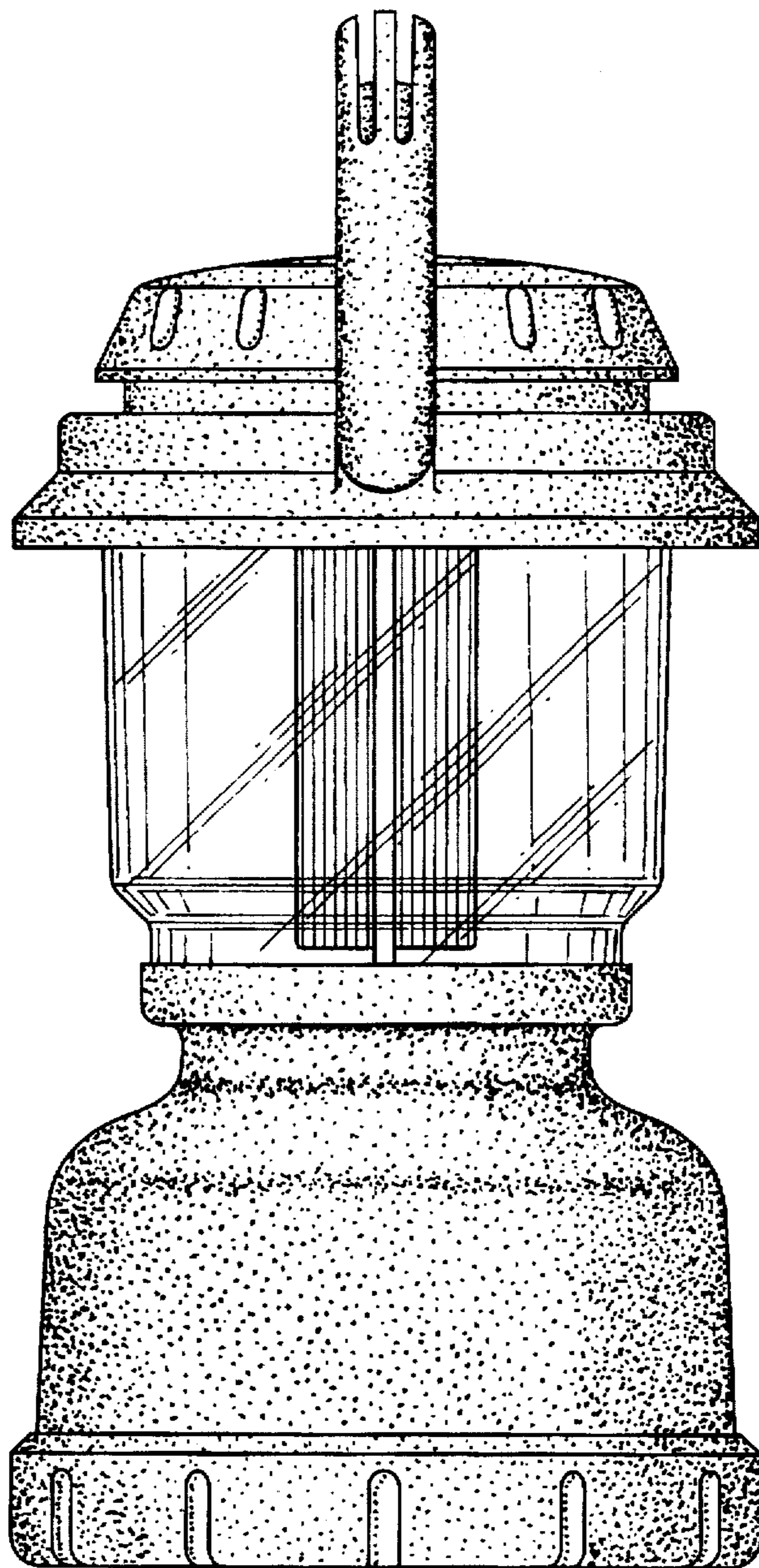




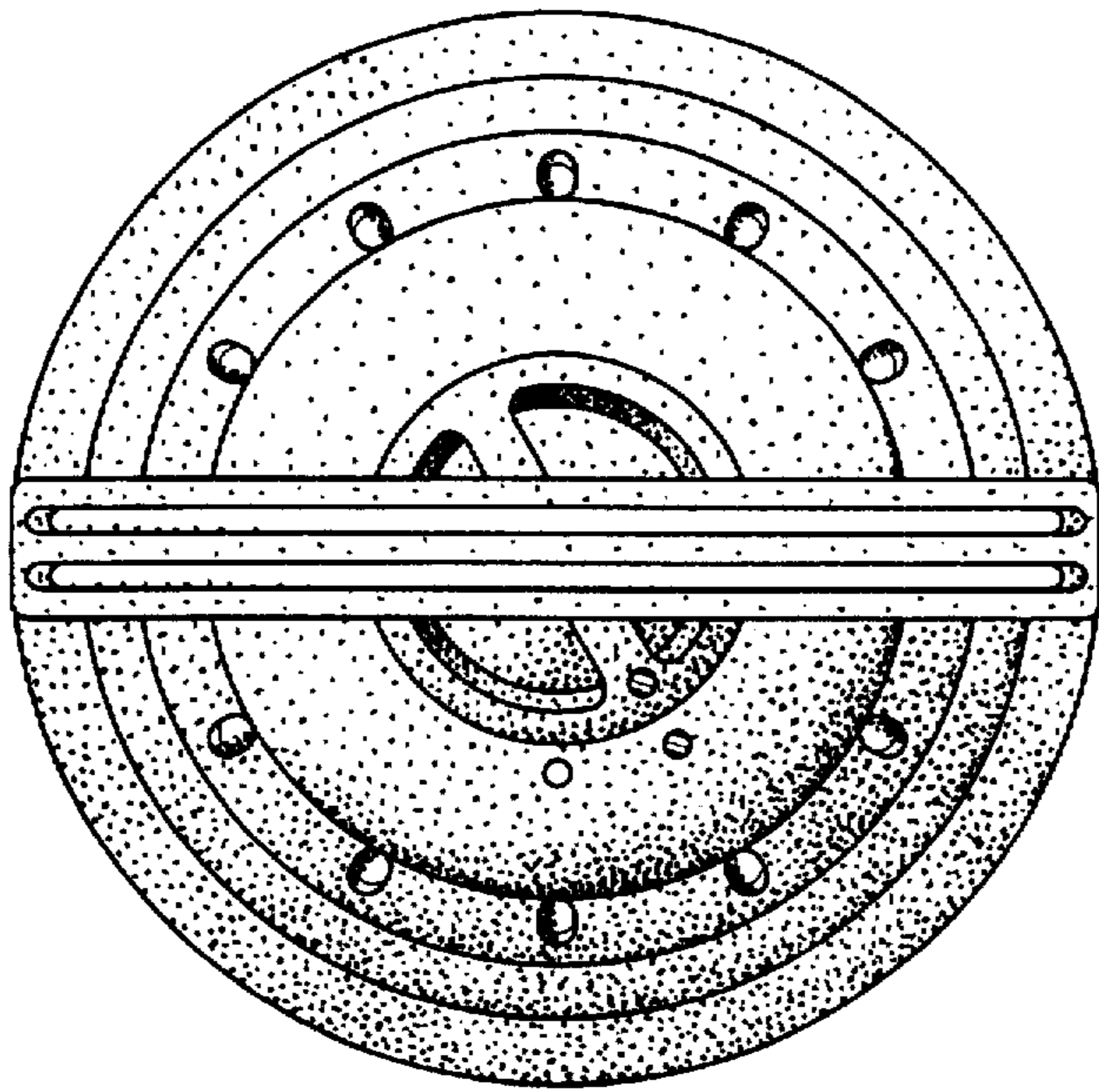
**FIG. 3**



**FIG. 4**

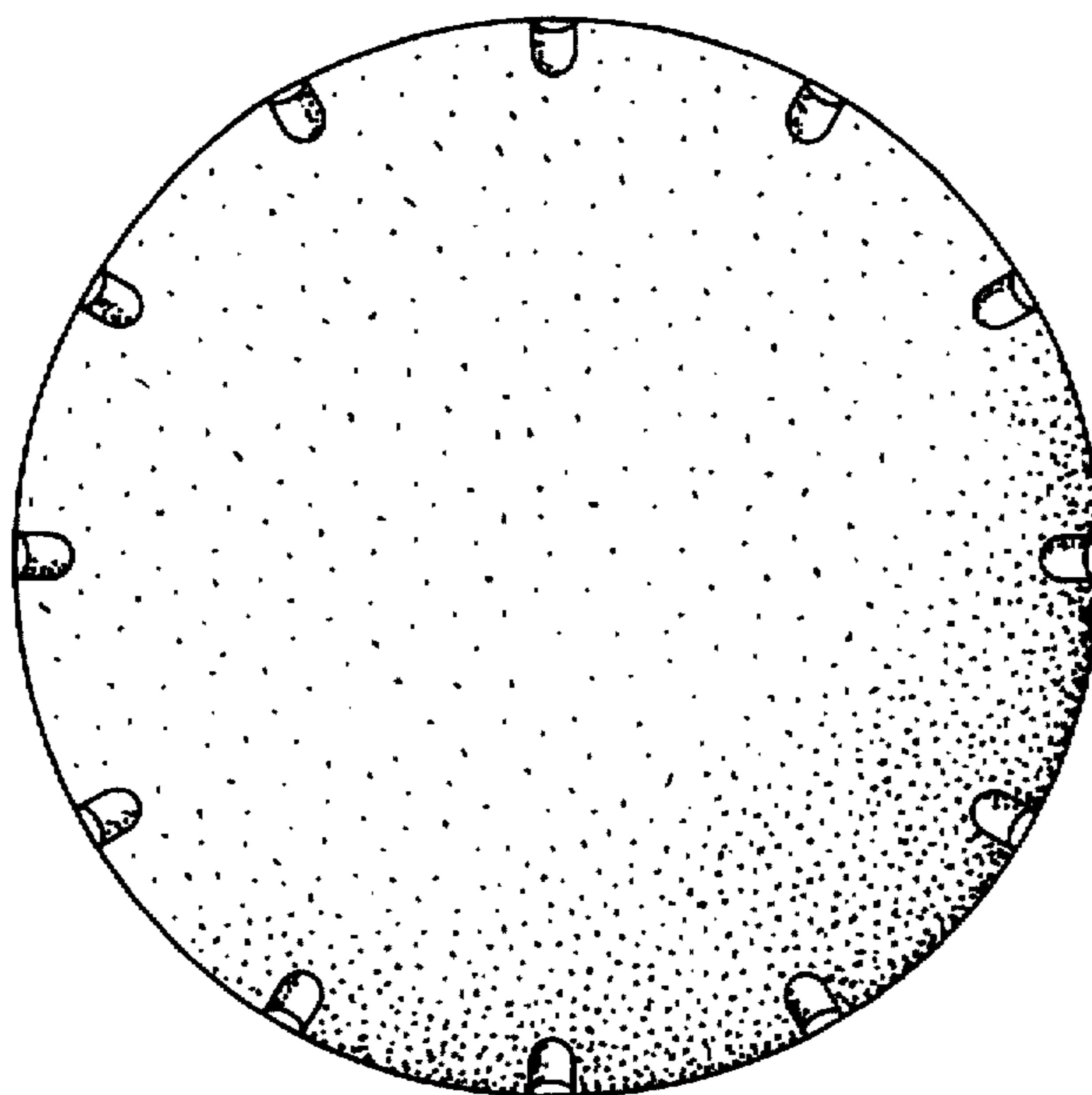


**FIG. 5**



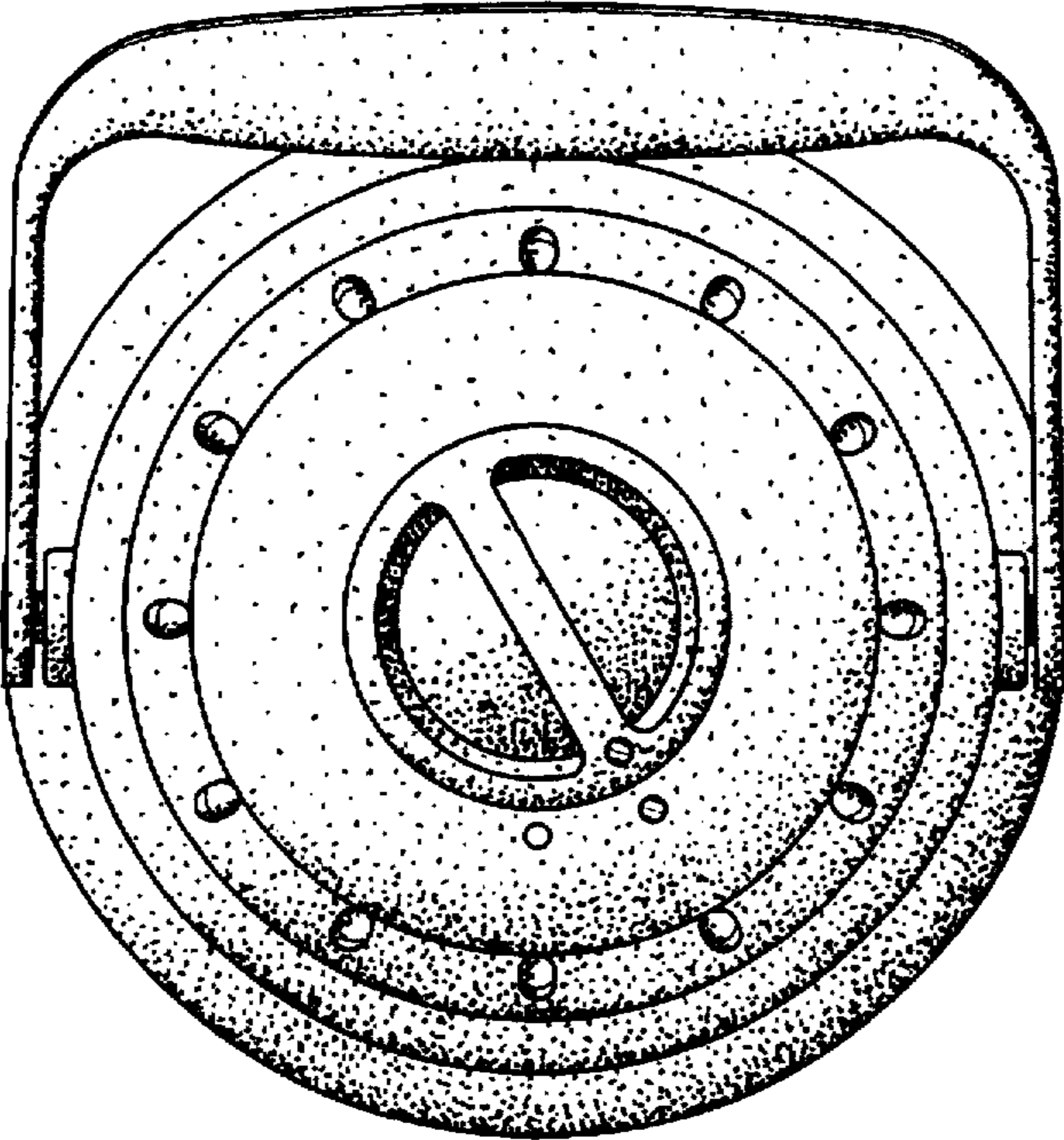
**FIG. 6**



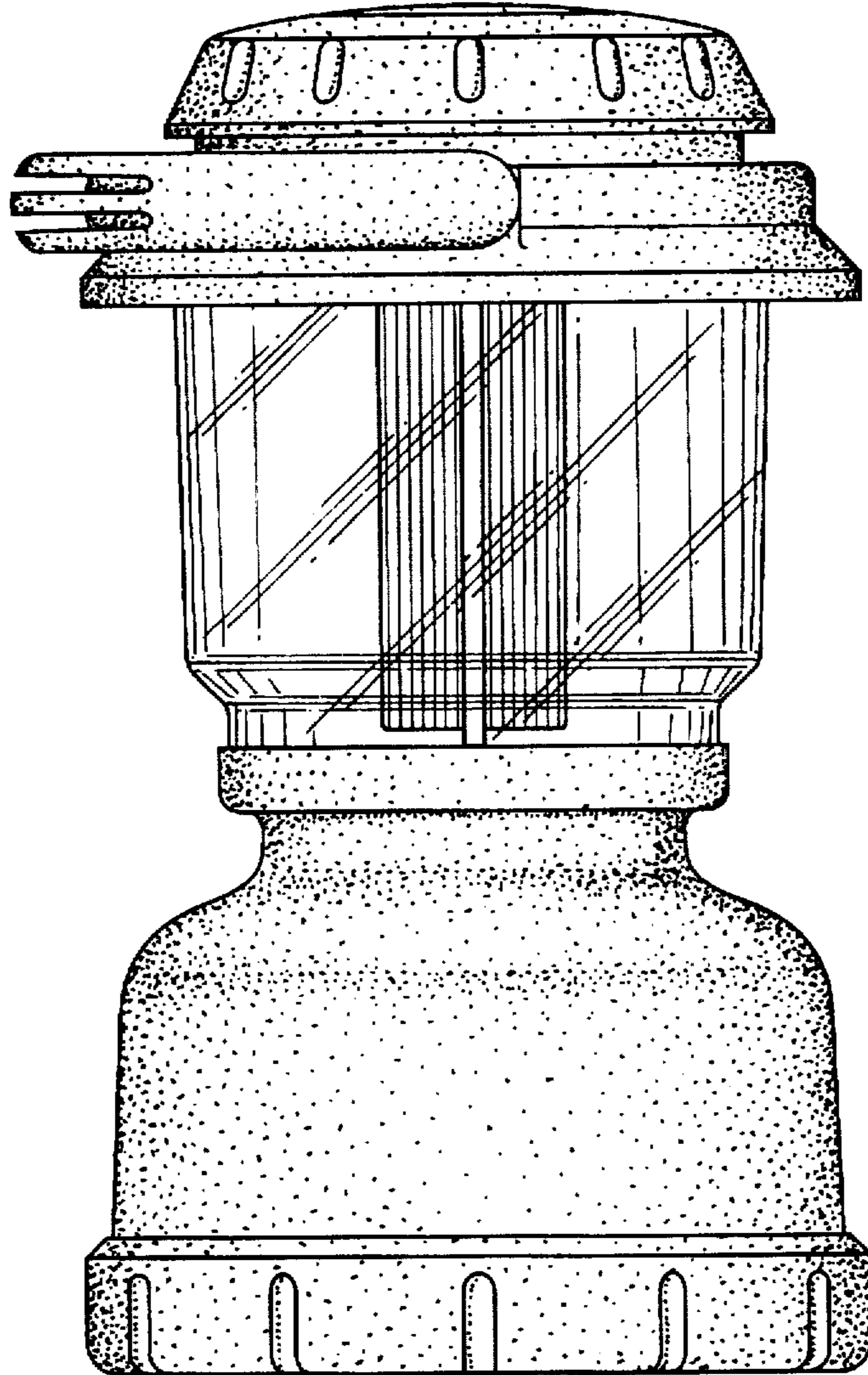


**FIG. 7**





**FIG. 8**



**FIG. 9**