



US00D393309S

# United States Patent [19]

[11] Patent Number: **Des. 393,309**

**Tani**

[45] Date of Patent: **\*\*Apr. 7, 1998**

[54] **WATER CLOSET**

[75] Inventor: **Minoru Tani**, Kitakyushu, Japan

[73] Assignee: **Toto Ltd.**, Japan

[\*\*] Term: **14 Years**

[21] Appl. No.: **73,575**

[22] Filed: **Jul. 11, 1997**

[51] LOC (6) Cl. .... **23-02**

[52] U.S. Cl. .... **D23/301**

[58] Field of Search ..... D23/295, 298,  
D23/299, 300, 301; 4/353, 421, 424, 428,  
430, 300, DIG. 12

[56] **References Cited**

**U.S. PATENT DOCUMENTS**

D. 275,417	9/1984	Stairs, Jr. ....	D23/301
D. 296,817	7/1988	Holscher ....	D23/301
D. 323,551	1/1992	Boit ....	D23/301
D. 346,854	5/1994	Reid ....	D23/301
D. 379,496	5/1997	Kowsmurd et al. ....	D23/301

**FOREIGN PATENT DOCUMENTS**

716930 6/1987 Japan .

*Primary Examiner*—Louis S. Zarfes  
*Assistant Examiner*—Eric Watterson  
*Attorney, Agent, or Firm*—Finnegan, Henderson, Farabow,  
Garrett & Dunner, L.L.P.

[57] **CLAIM**

The ornamental design for a water closet, as shown and described.

**DESCRIPTION**

FIG. 1 is a front view of the first embodiment of a water closet embodying my design;

FIG. 2 is a top view thereof;

FIG. 3 is a right side view thereof, the left side being a mirror image of the right side;

FIG. 4 is a perspective view thereof;

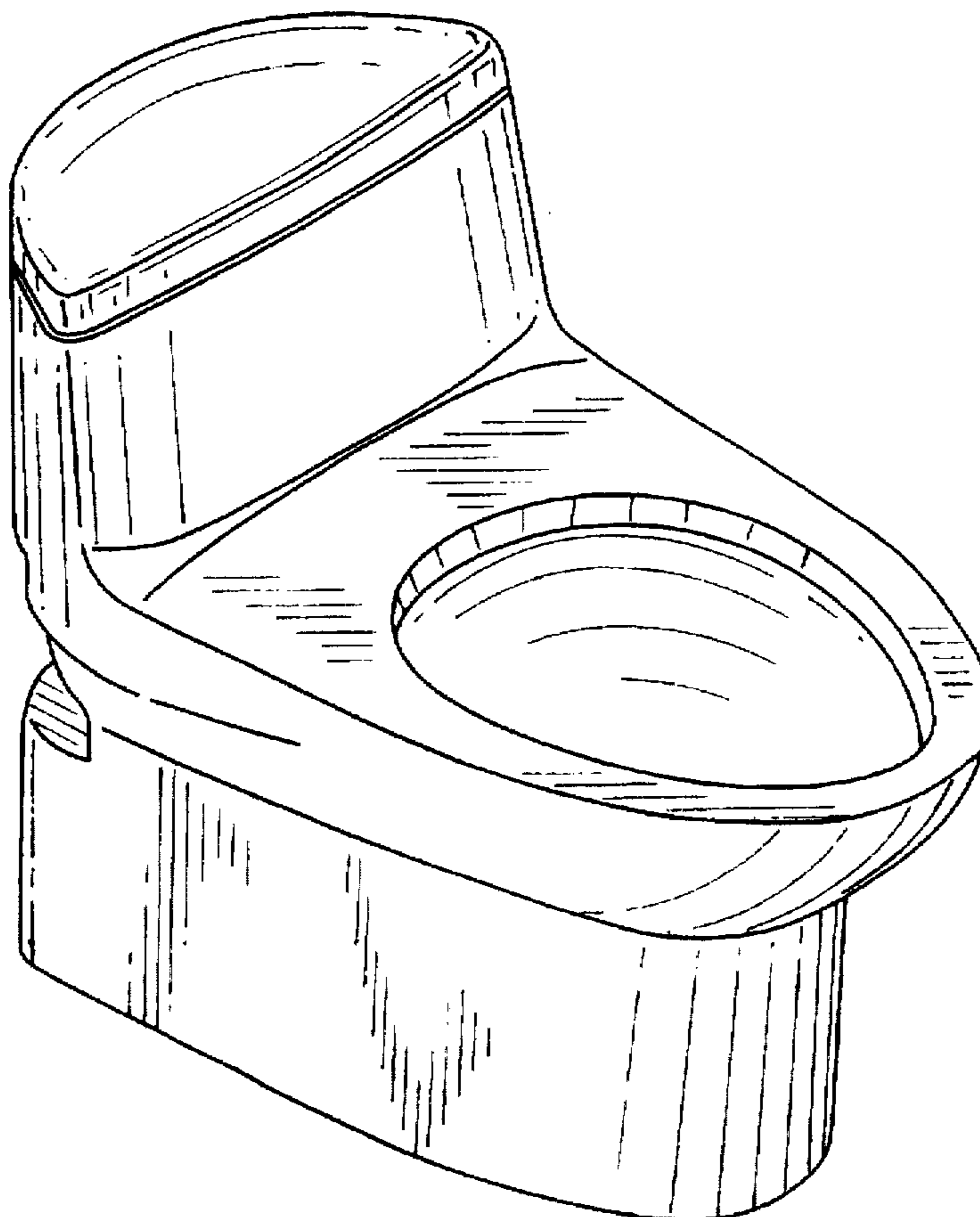
FIG. 5 is a front view of the second embodiment of a water closet embodying my design;

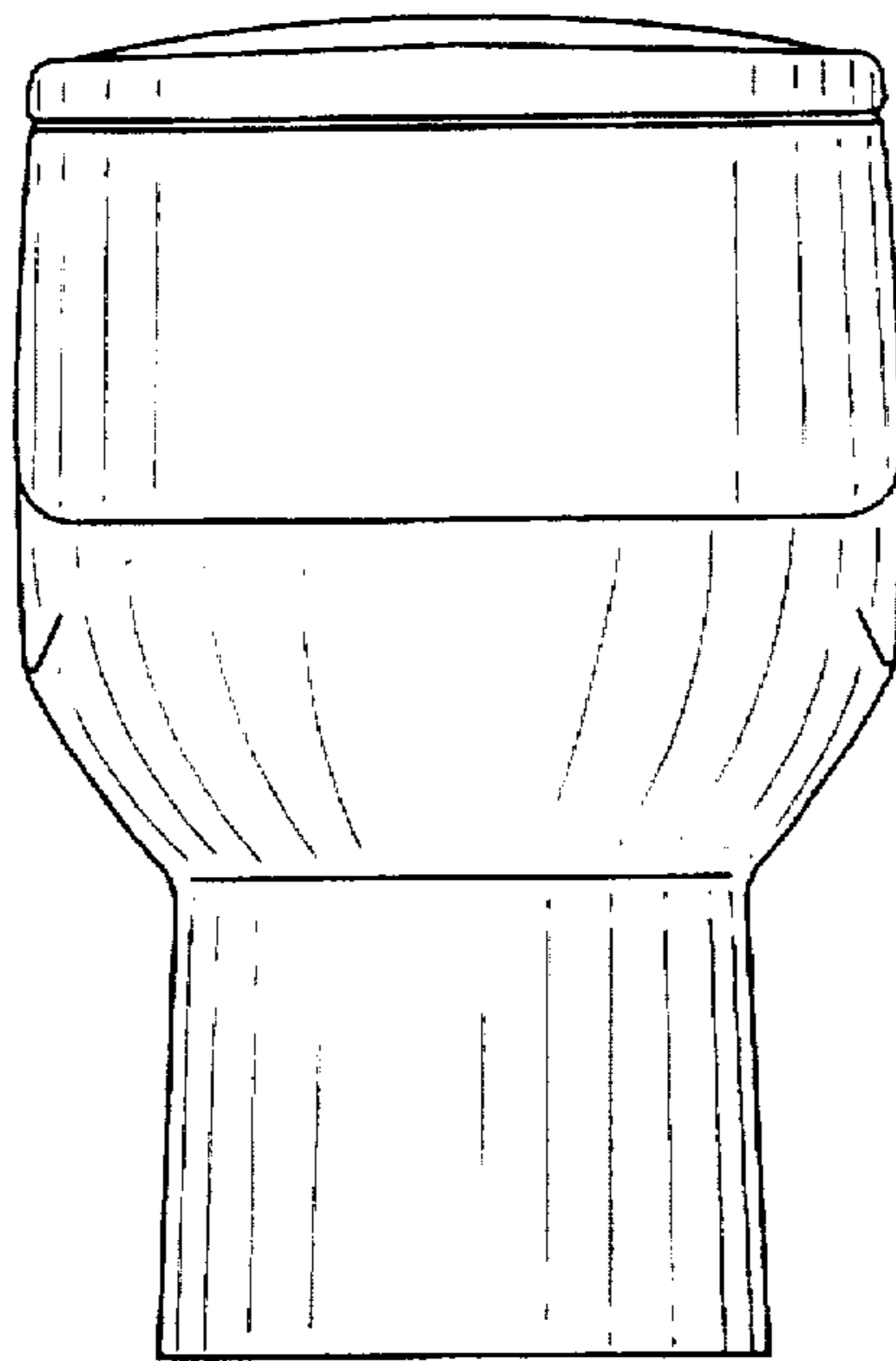
FIG. 6 is a top view thereof;

FIG. 7 is a left side view thereof, the right side being a mirror image of the left side; and,

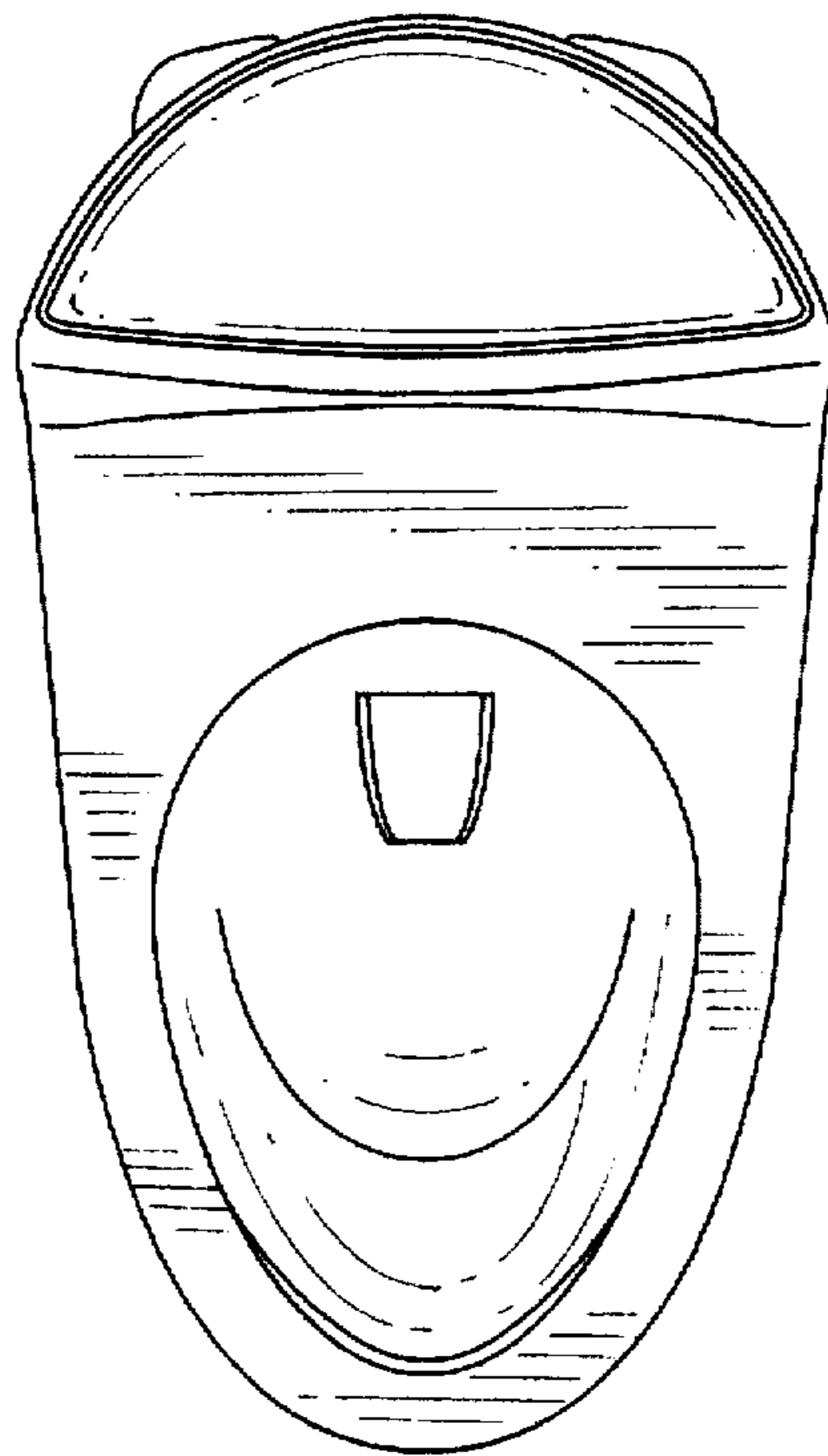
FIG. 8 is a perspective view thereof.

**1 Claim, 4 Drawing Sheets**

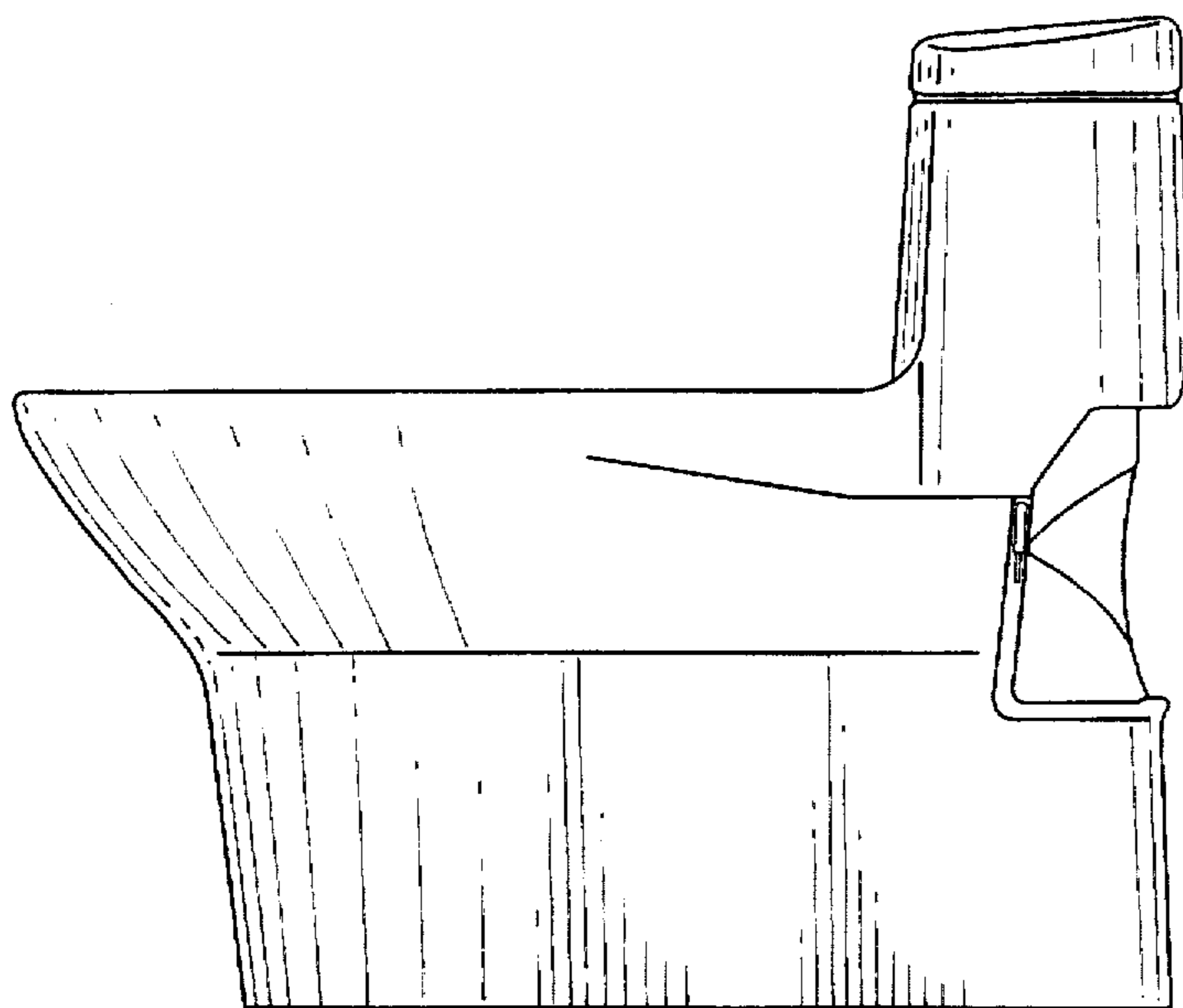




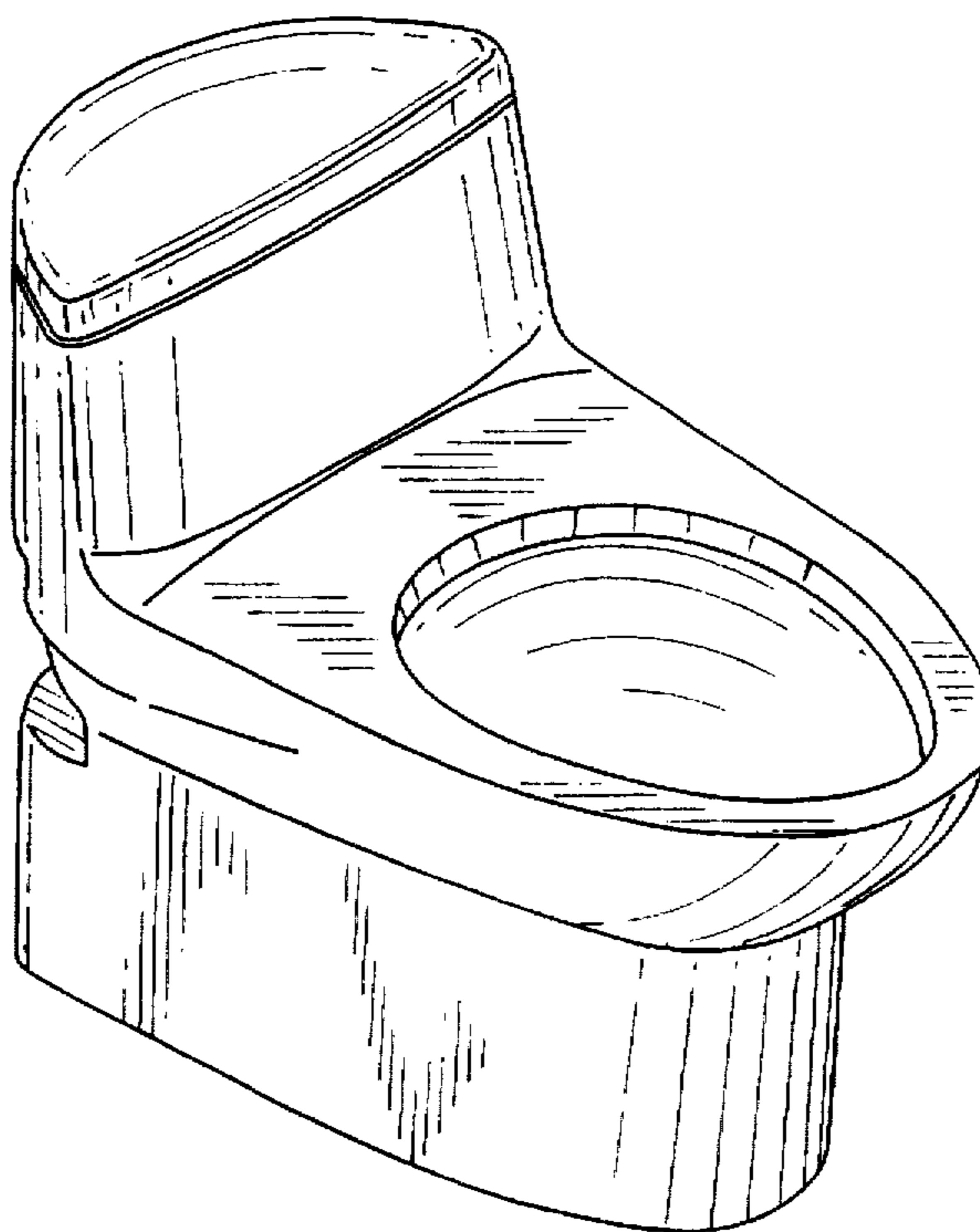
**FIG. 1**



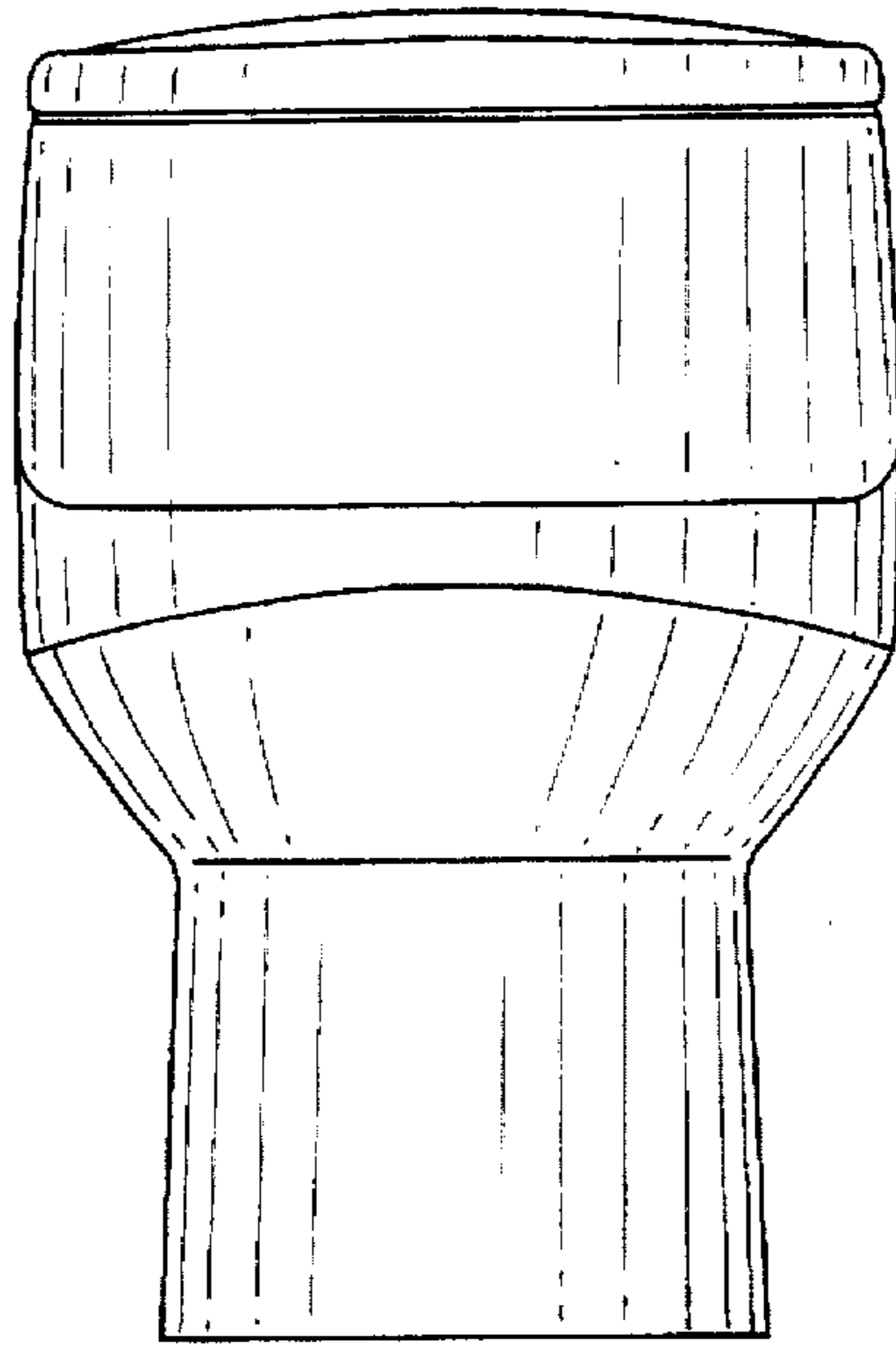
**FIG. 2**



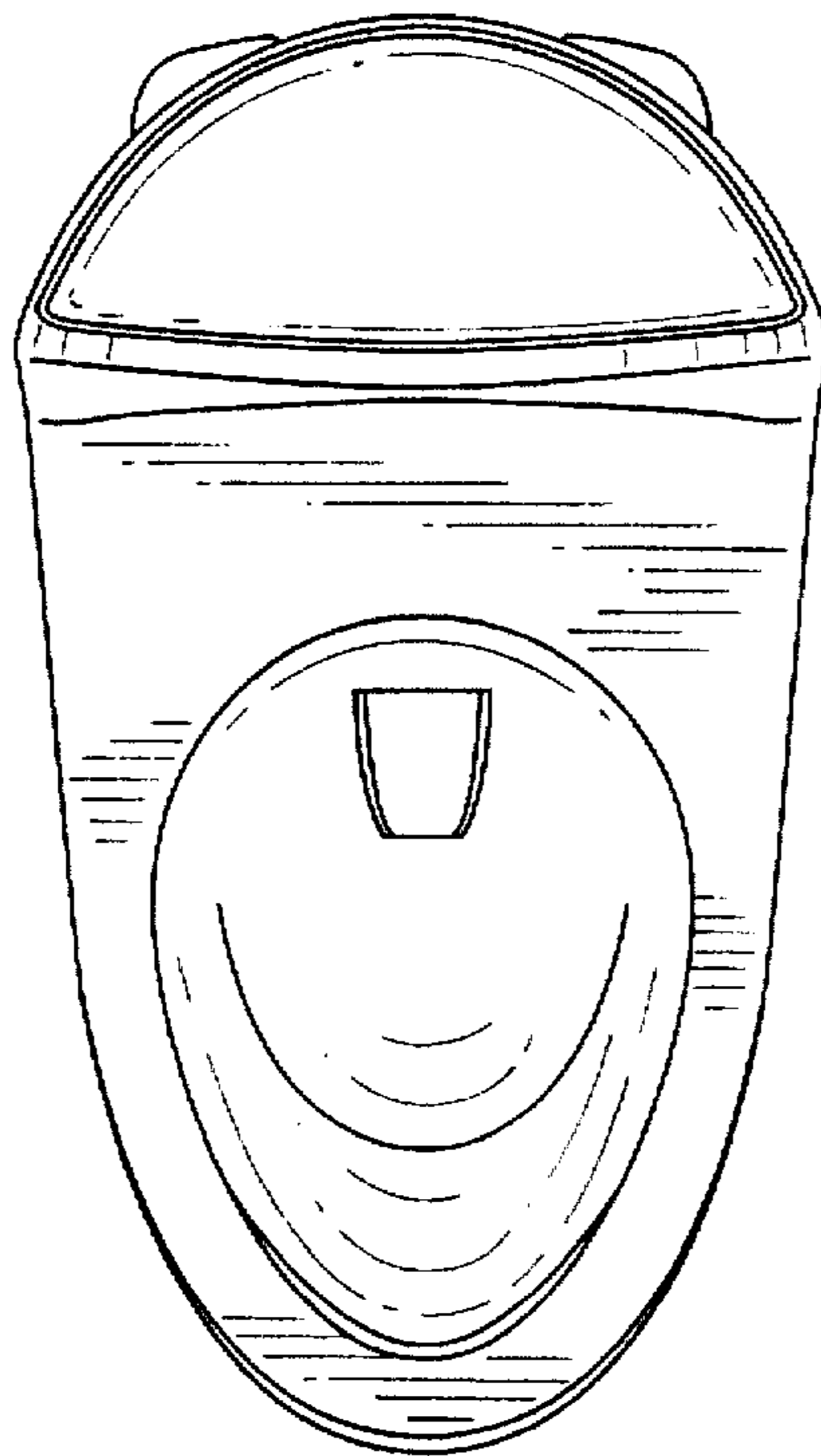
**FIG. 3**



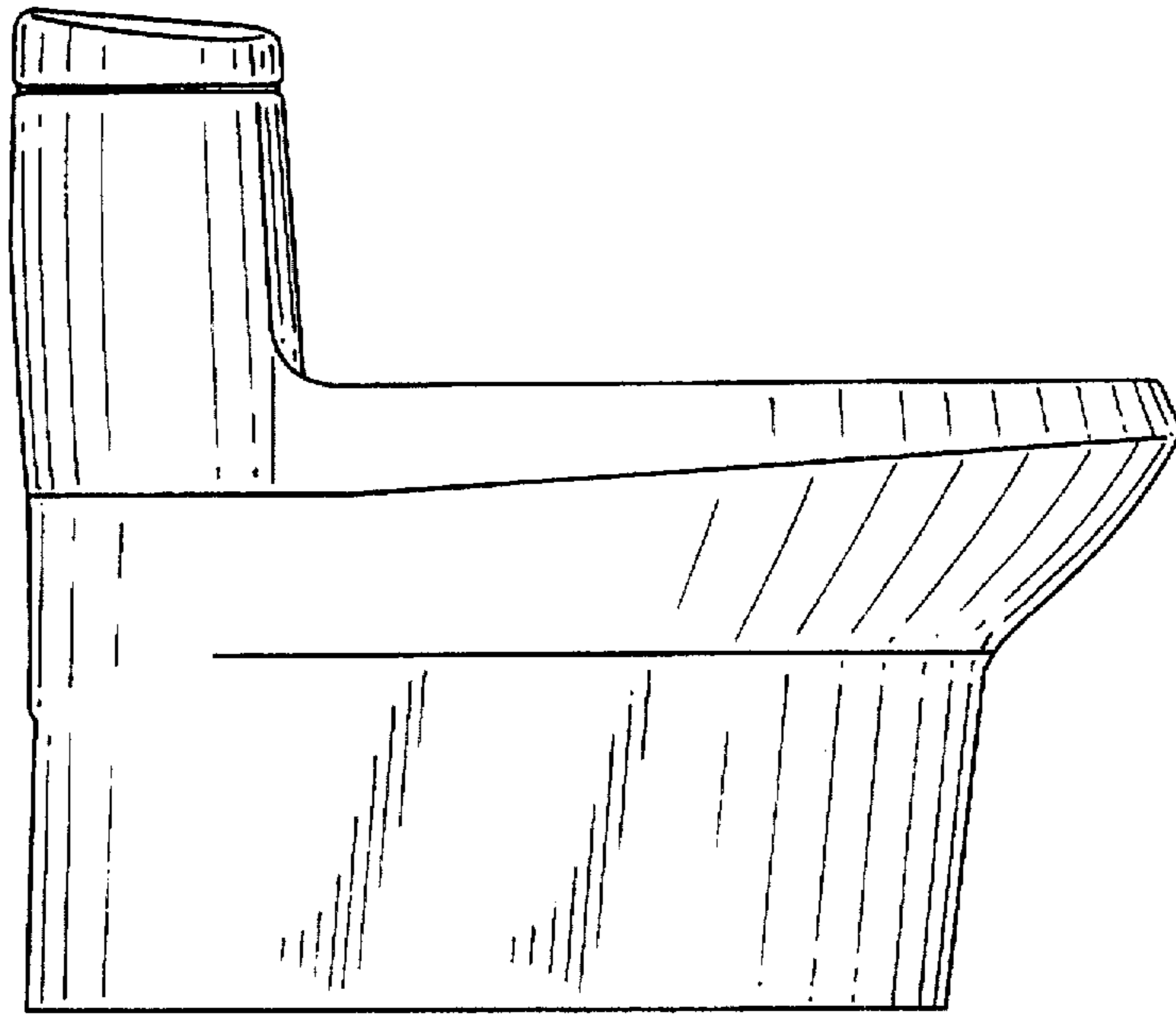
**FIG. 4**



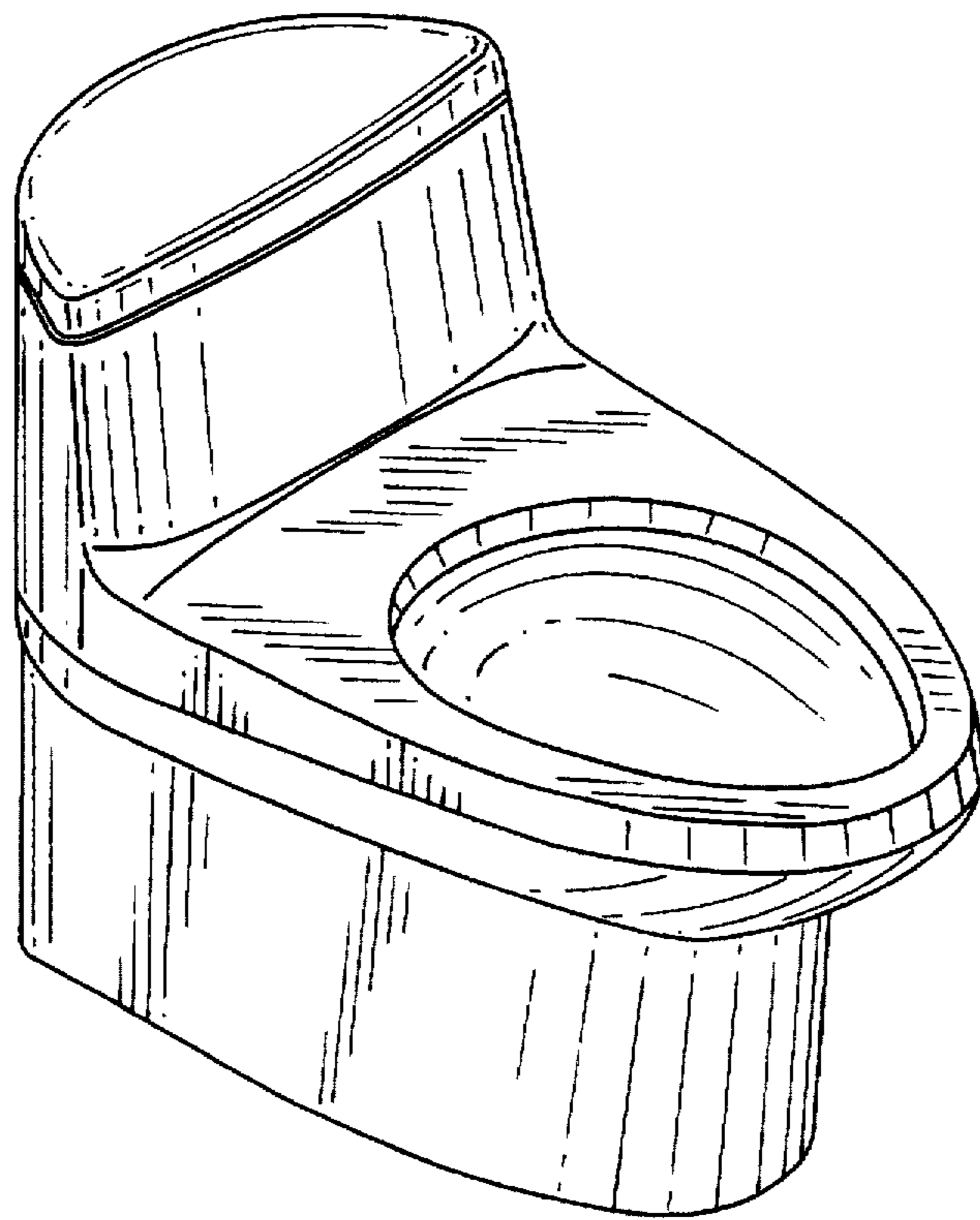
**FIG. 5**



**FIG. 6**



**FIG. 7**



**FIG. 8**