

US00D393308S

# United States Patent [19]

[11] Patent Number: Des. 393,308

Nagato

[45] Date of Patent: \*\*Apr. 7, 1998

[54] BASIN

[75] Inventor: Kenichi Nagato, Kitakyushu, Japan

[73] Assignee: Toto Ltd., Japan

[\*\*] Term: 14 Years

[21] Appl. No.: 72,540

[22] Filed: Jun. 18, 1997

[30] Foreign Application Priority Data

Dec. 19, 1996 [JP] Japan ..... 8-038722

[51] LOC (6) Cl. .... 23-02

[52] U.S. Cl. .... D23/280.1

[58] Field of Search ..... D23/284, 286,  
D23/287, 289, 290; 4/619, 624, 626, 638-650

### [56] References Cited

#### U.S. PATENT DOCUMENTS

- D. 228,500 10/1973 Ritzentudler ..... D23/293.1
- D. 264,749 6/1982 Bengtson ..... D23/61
- D. 279,404 6/1985 Hiller ..... D23/290

- D. 289,792 5/1987 Hardion ..... D23/61
- D. 295,071 4/1988 Kohler, Jr. et al. .... D23/294
- D. 340,969 11/1993 Kohler, Jr. et al. .... D23/294
- D. 340,970 11/1993 Kohler, Jr. et al. .... D23/294
- D. 354,120 1/1995 Pajetta ..... D23/286
- D. 380,040 6/1997 Kohler, Jr. et al. .... D23/293.1

Primary Examiner—Louis S. Zarfes  
 Assistant Examiner—Eric Watterson  
 Attorney, Agent, or Firm—Finnegan, Henderson, Farabow,  
 Garrett & Dunner, L.L.P.

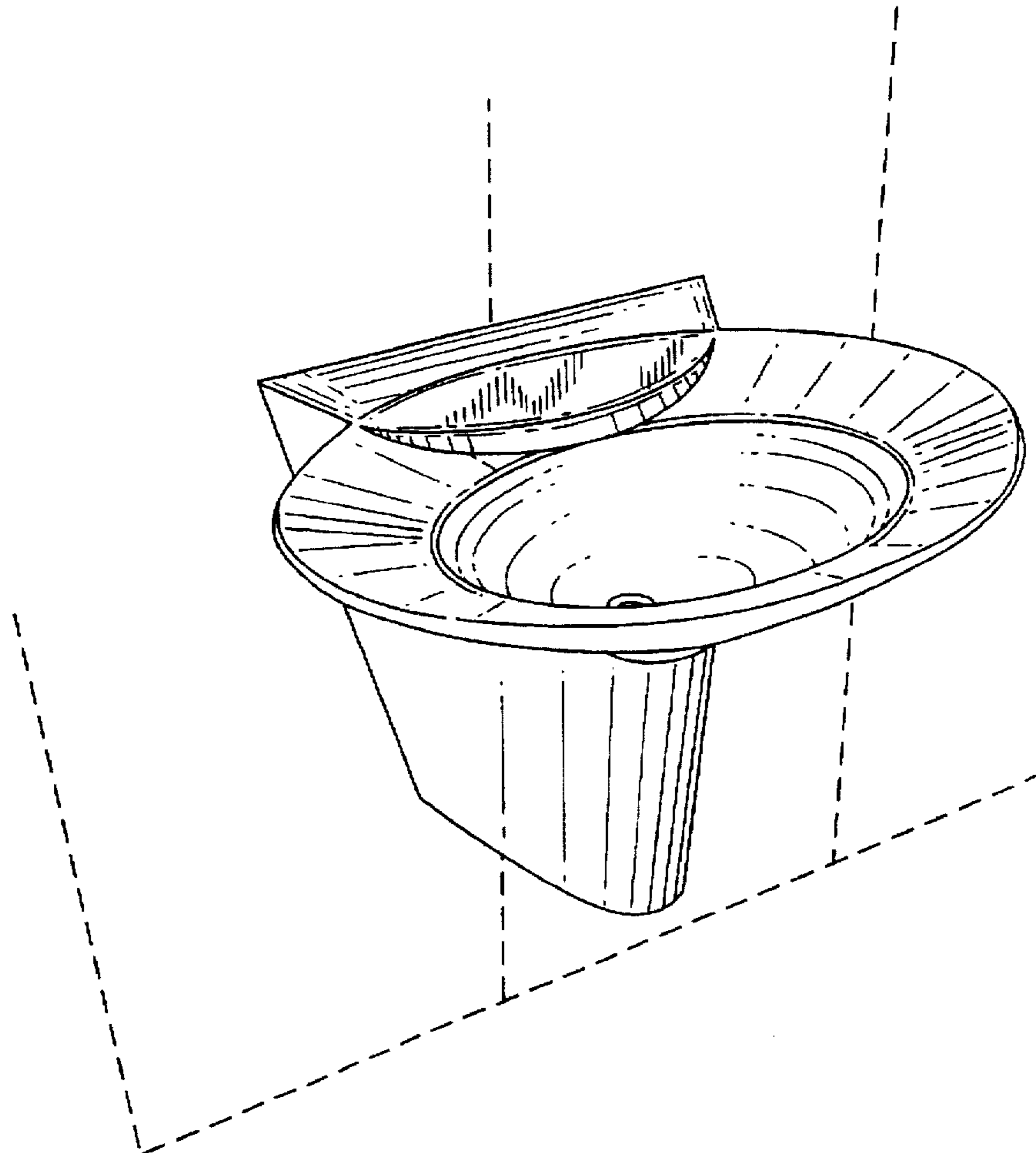
### [57] CLAIM

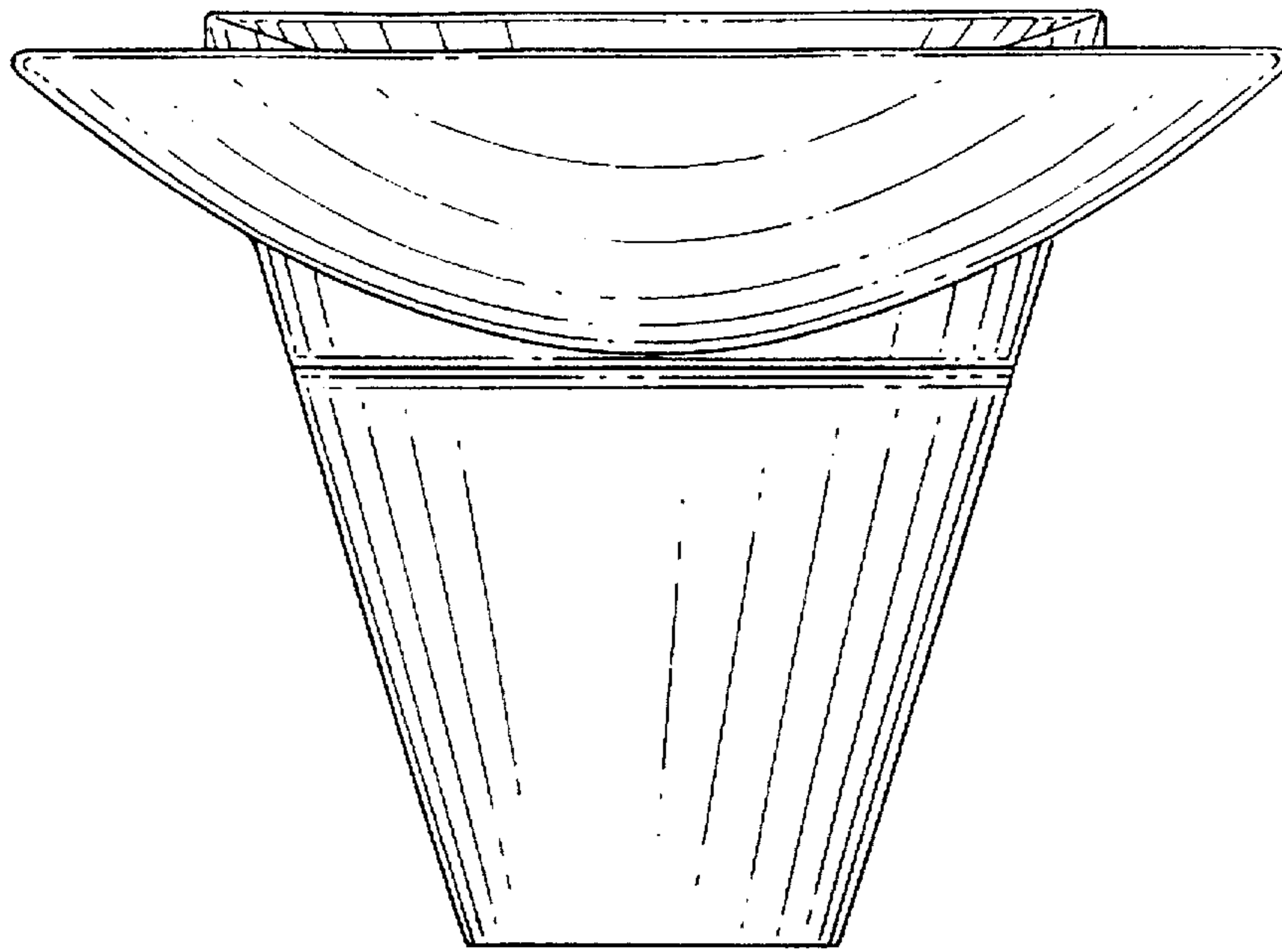
The ornamental design for a basin, as shown and described.

### DESCRIPTION

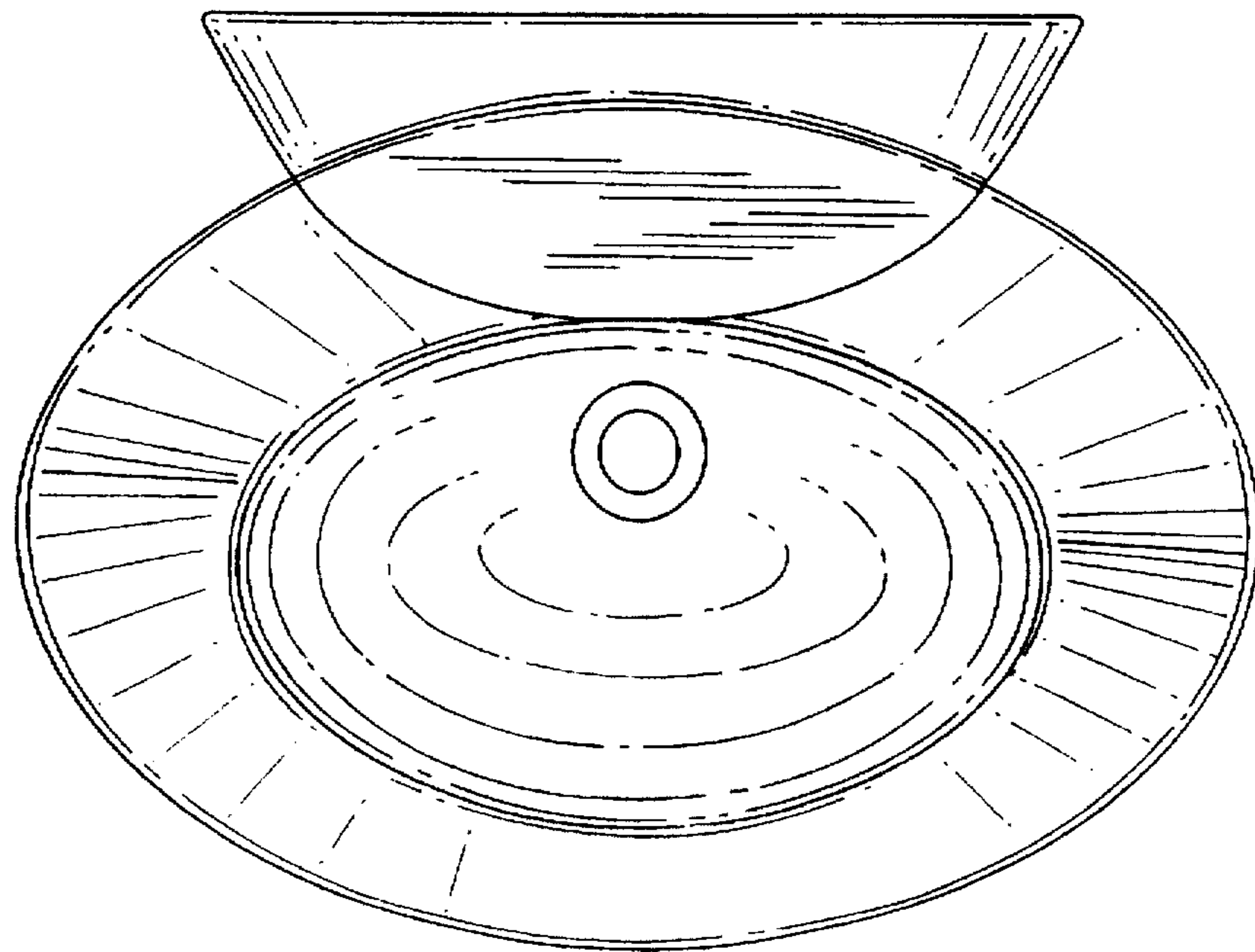
FIG. 1 is a front view of the basin embodying my design;  
 FIG. 2 is a top view thereof;  
 FIG. 3 is a bottom view thereof;  
 FIG. 4 is a right side view thereof, the left side being a mirror  
 image of the right side; and,  
 FIG. 5 is a perspective view thereof.  
 The broken line showing is for illustrative purposes only and  
 forms no part of the claimed design.

1 Claim, 3 Drawing Sheets

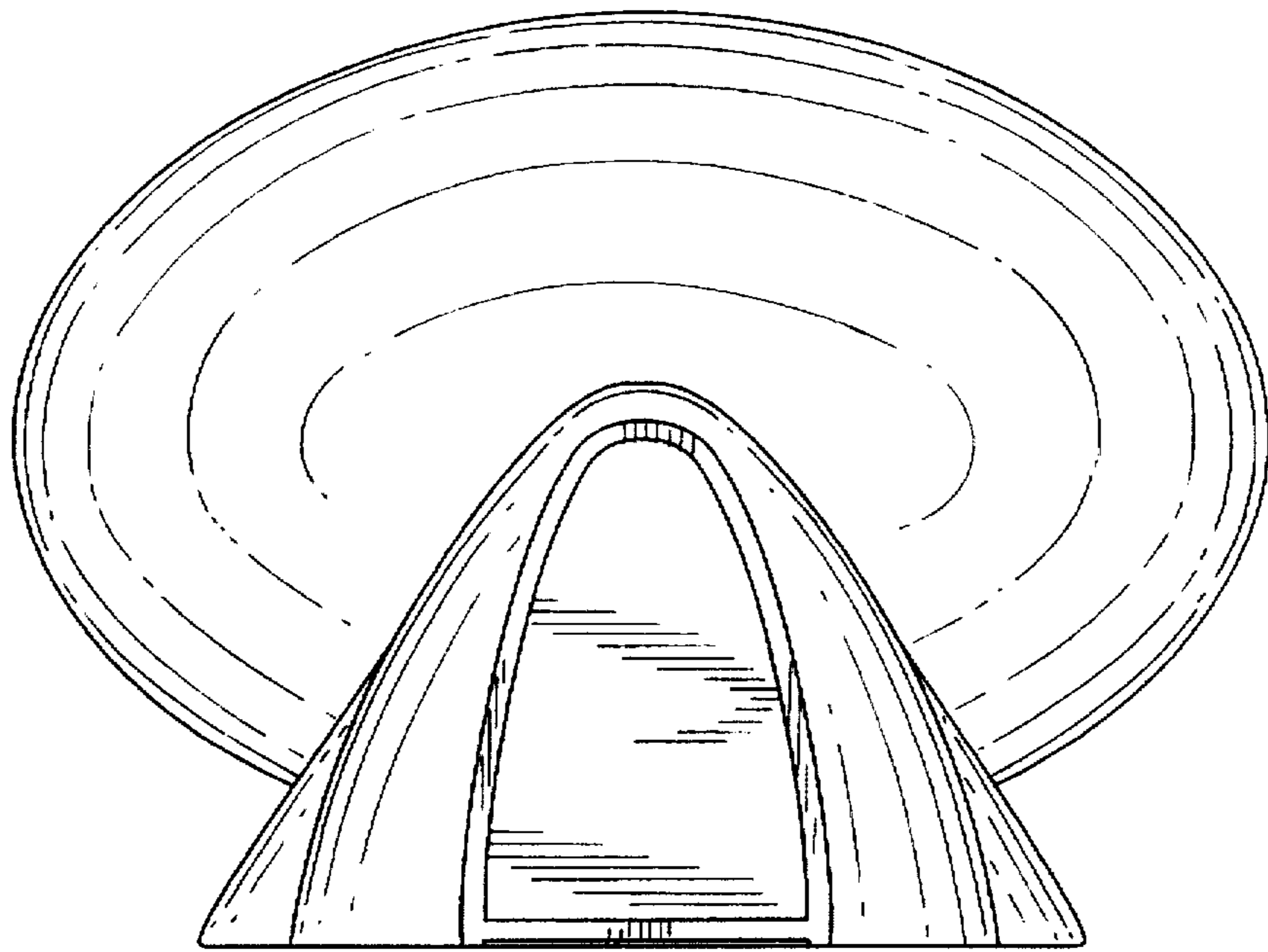




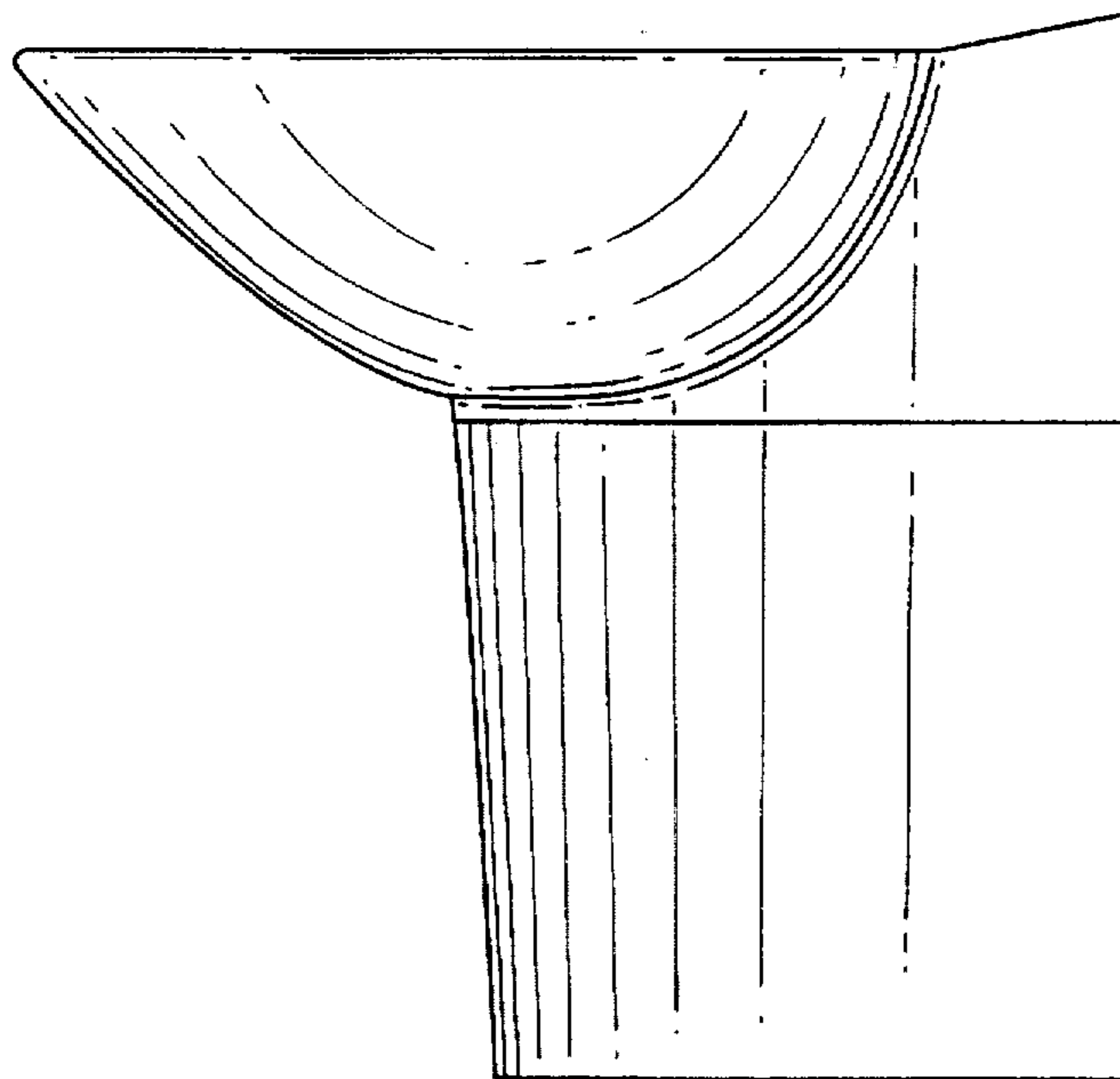
**FIG. 1**



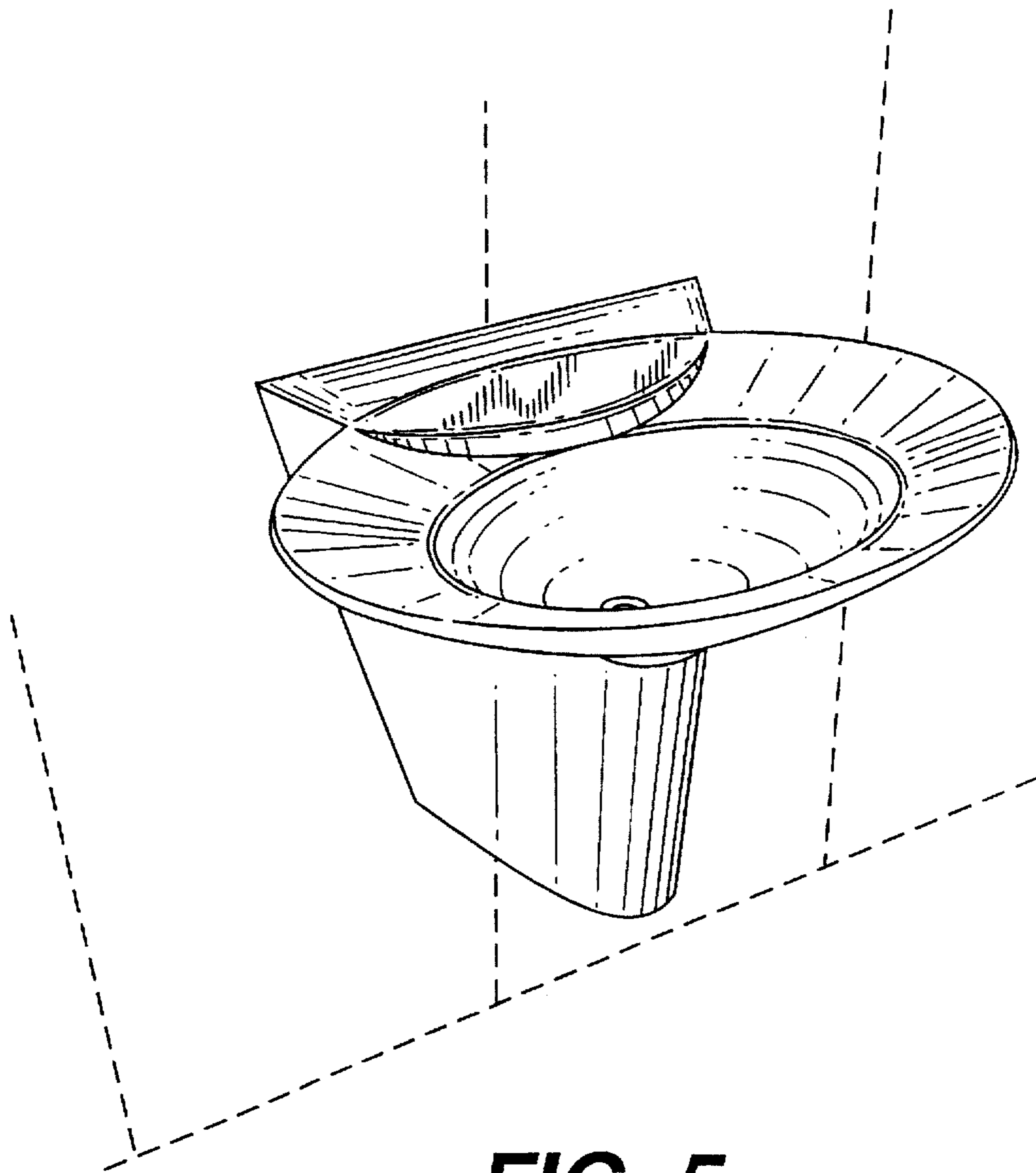
**FIG. 2**



**FIG. 3**



**FIG. 4**



**FIG. 5**