



US00D393306S

United States Patent [19]
Couper

[11] **Patent Number:** **Des. 393,306**
[45] **Date of Patent:** ****Apr. 7, 1998**

[54] **SHOTGUN SIGHT**
[75] **Inventor:** **John R. Couper**, Loveland, Colo.
[73] **Assignee:** **North Pass, Ltd.**, Longmont, Colo.
[**] **Term:** **14 Years**
[21] **Appl. No.:** **49,549**
[22] **Filed:** **May 6, 1996**
[51] **LOC (6) Cl.** **22-01**
[52] **U.S. Cl.** **D22/109; D22/108; 33/241**
[58] **Field of Search** **D22/100, 108,**
D22/109, 103; 33/241, 242, 245; 42/100,
102, 103

5,070,619 12/1991 Santiago 33/242
5,394,633 3/1995 Alessandri, Jr. 42/100 X

FOREIGN PATENT DOCUMENTS

7054 5/1887 United Kingdom 33/242

Primary Examiner—Louis S. Zarfaz
Assistant Examiner—Monica A. Weingart
Attorney, Agent, or Firm—Dean P. Edmundson

[57] **CLAIM**

The ornamental design for a shotgun sight, as shown and described.

DESCRIPTION

FIG. 1 is a perspective view of the front, top and one side of one embodiment of a shotgun sight of this invention; FIG. 2 is a top plan view of the shotgun sight of FIG. 1. FIG. 3 is a back elevation view of FIG. 2; FIG. 4 is a front elevation view of FIG. 2; FIG. 5 is a bottom plan view of FIG. 2; and, FIG. 6 is a side elevational view of FIG. 2.

1 Claim, 1 Drawing Sheet

[56] **References Cited**

U.S. PATENT DOCUMENTS

D. 242,796 12/1976 Ross D22/109
D. 374,474 10/1996 Persson D22/109
3,945,142 3/1976 Keppeler 42/100
4,945,667 8/1990 Rogalski et al. 33/241 X

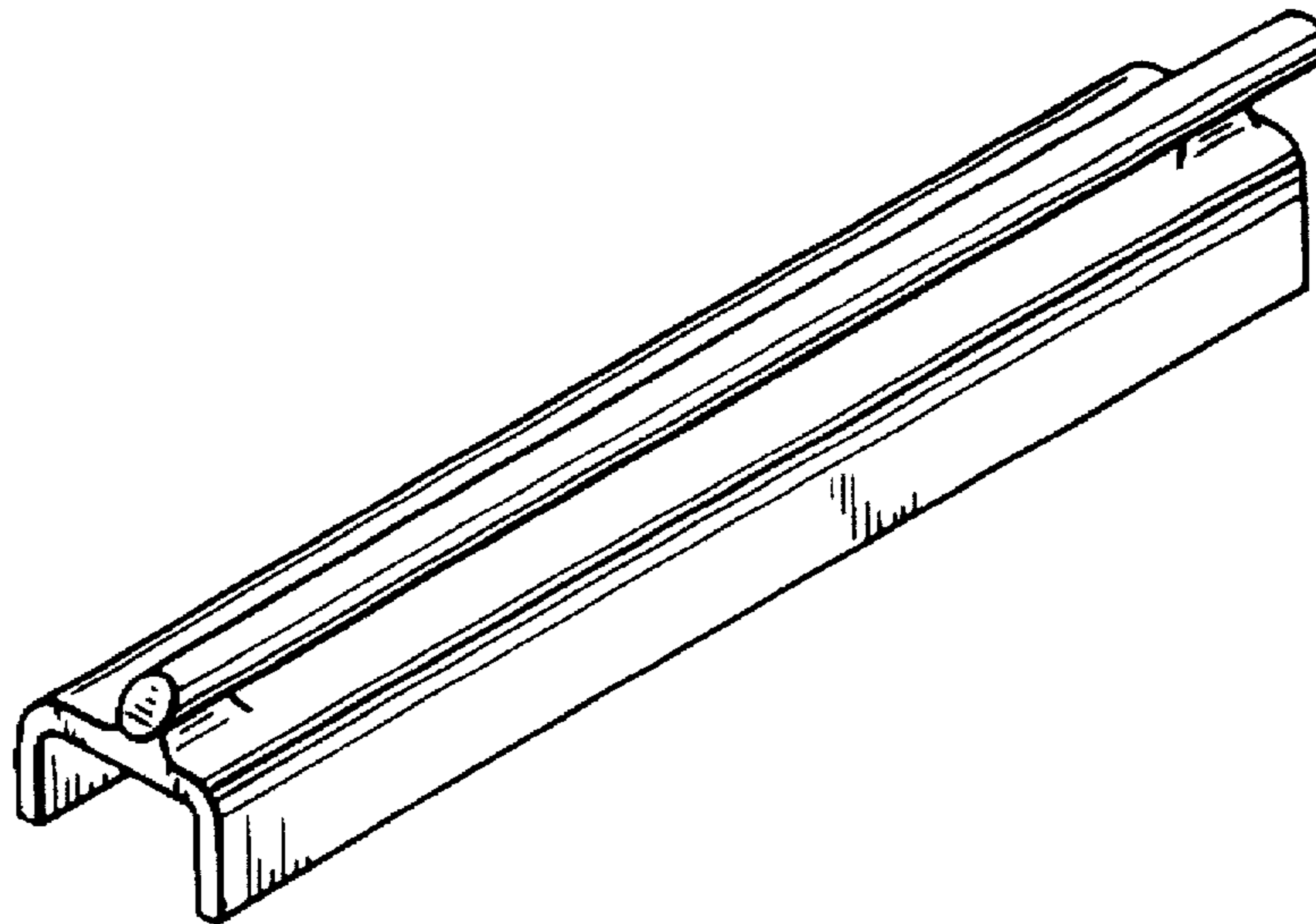


FIG. 1

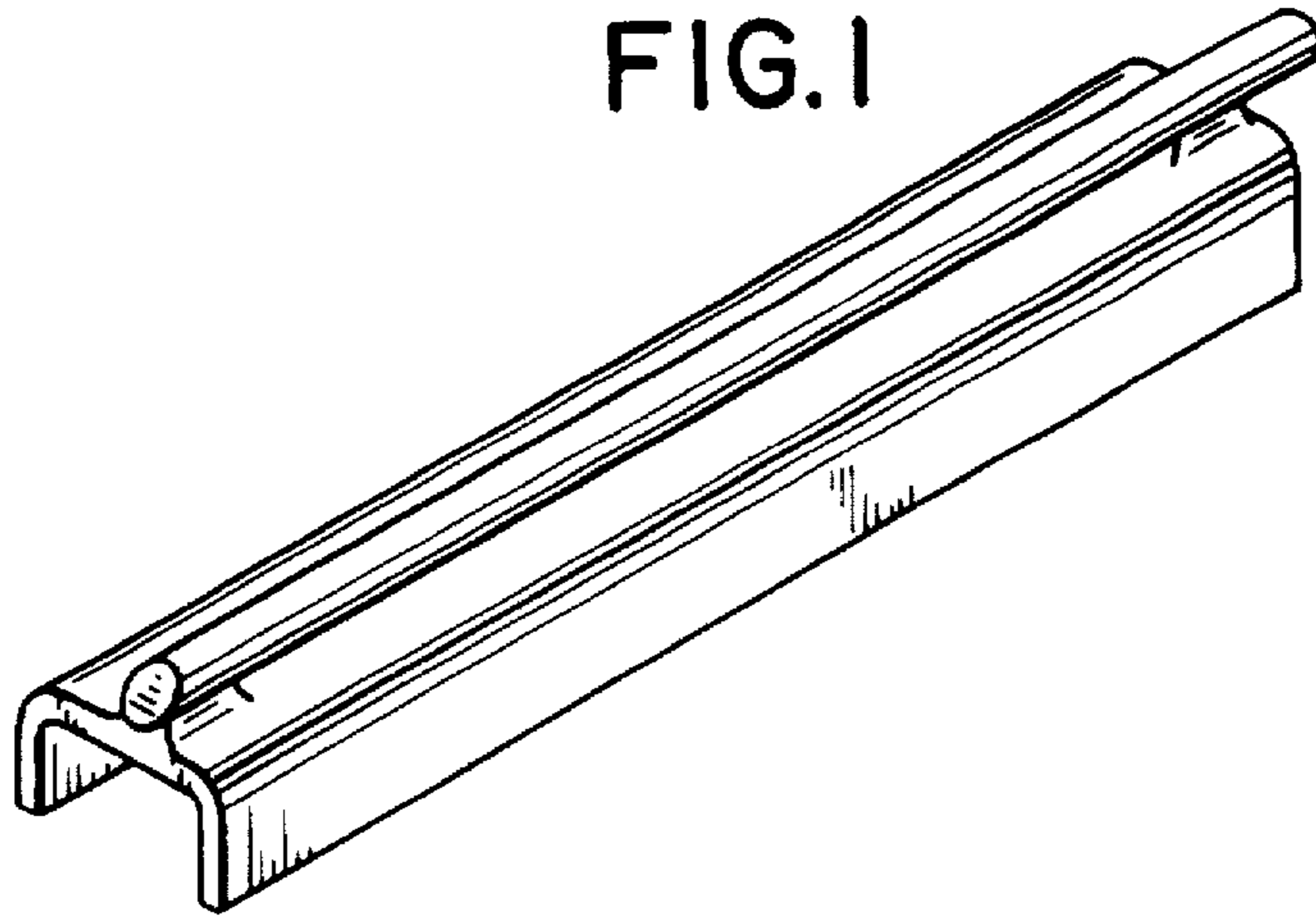


FIG. 2

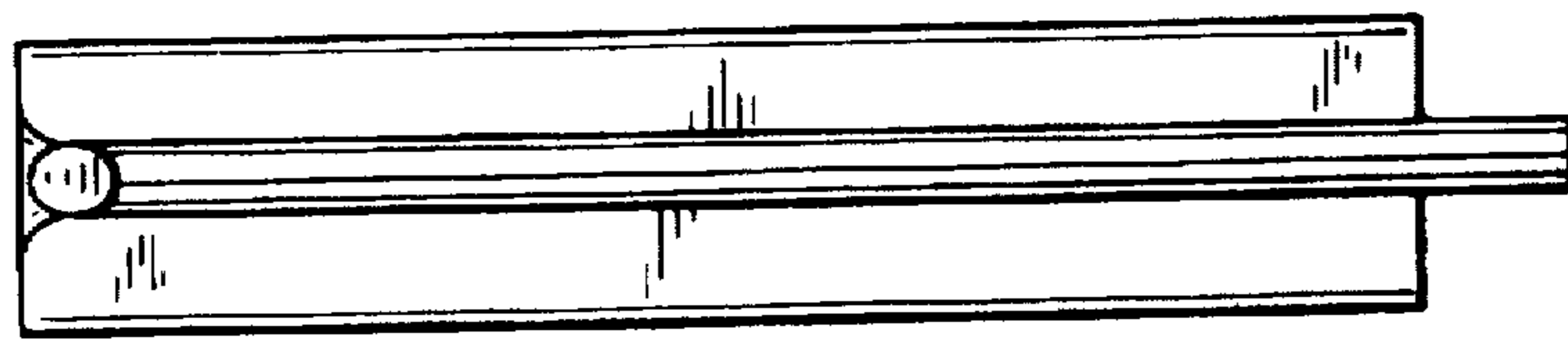


FIG. 4

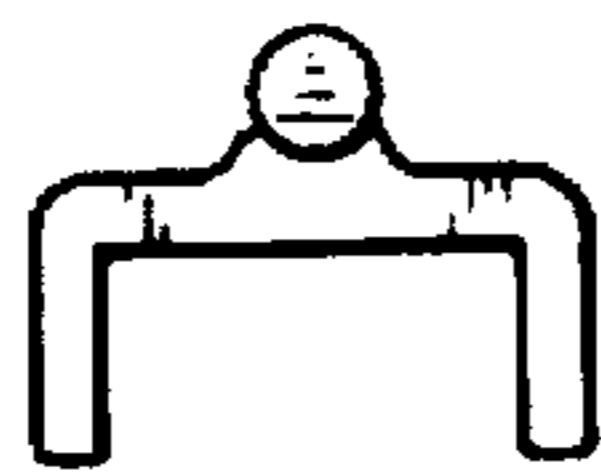


FIG. 3

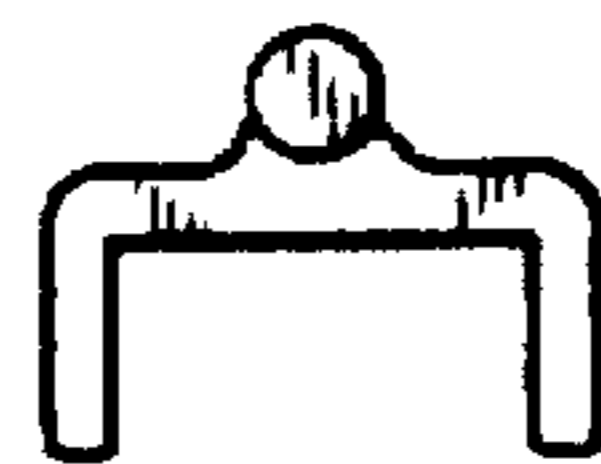


FIG. 5

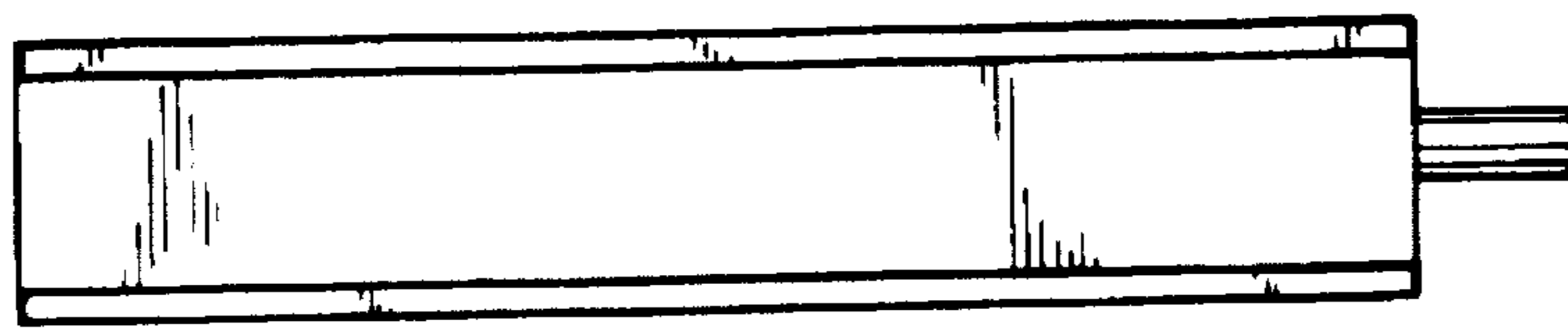


FIG. 6

