



US00D393305S

# United States Patent [19]

Misner et al.

[11] Patent Number: Des. 393,305

[45] Date of Patent: \*\*Apr. 7, 1998

[54] **COMBINATION OPERATED TRIGGER LOCK FOR FIREARMS**

[75] Inventors: **Michael O. Misner**, Lake Villa; **Elbert M. Spencer**, Wildwood, both of Ill.

[73] Assignee: **The Eastern Company**, New Britain, Conn.

[\*\*] Term: **14 Years**

4,358,942 11/1982 Mattson ..... 70/303  
 4,499,681 2/1985 Bako et al. .... 42/1  
 5,169,326 12/1992 Werner ..... 439/134  
 5,283,971 2/1994 Fuller et al. .... 42/70.11 X  
 5,392,552 2/1995 McCarthy et al. .... 42/70.06 X  
 5,400,538 3/1995 Shannon ..... 42/70.06 X  
 5,419,068 5/1995 Pages et al. .... 42/70.07  
 5,515,633 5/1996 Harris ..... 42/70.07

[21] Appl. No.: **48,524**

[22] Filed: **Jan. 2, 1996**

[51] LOC (6) Cl. .... **22-01**

[52] U.S. Cl. .... **D22/108; D22/100; D22/199**

[58] Field of Search ..... D22/100, 108, D22/199; 42/70.06, 70.07, 70.11; 70/19, 201, 202, 203

### FOREIGN PATENT DOCUMENTS

968669 9/1964 United Kingdom ..... 42/70

### OTHER PUBLICATIONS

"Sesamee Gun Blok" 1-Page Brochure, CCL Security Products Division of the Easter Co. New Britain, CT 06051, Published Jul. 1994.

Primary Examiner—Louis S. Zarfes  
Assistant Examiner—Monica A. Weingart  
Attorney, Agent, or Firm—David A. Burge

### [56] References Cited

#### U.S. PATENT DOCUMENTS

D. 196,842 11/1963 Schaefer ..... 42/70.07 X  
 1,569,553 1/1926 Lewis et al. .... 42/70  
 1,686,482 10/1928 Windle ..... 42/70  
 2,505,227 4/1950 Charters ..... 42/70  
 2,512,140 6/1950 Childs et al. .... 42/70  
 2,664,658 1/1954 Bjorklund ..... 42/70  
 2,742,726 4/1956 Feller ..... 42/70  
 2,859,551 11/1958 Buchanan ..... 42/1  
 2,882,636 4/1959 Shinaver ..... 42/70  
 2,893,152 7/1959 Peluso ..... 42/70  
 3,031,787 5/1962 Womble, Jr. .... 42/70  
 3,066,433 12/1962 Rogers et al. .... 42/70  
 3,139,694 7/1964 Schaefer ..... 42/70  
 3,164,919 1/1965 Hall ..... 42/70  
 3,368,297 2/1968 Lentz ..... 42/1  
 3,392,471 7/1968 Foote ..... 42/70  
 3,422,560 1/1969 Foote et al. .... 42/70  
 3,624,945 12/1971 Foote ..... 42/1  
 4,050,662 9/1977 Pickering ..... 248/291  
 4,084,341 4/1978 Cervantes ..... 42/1  
 4,198,026 4/1980 Capolupo ..... 248/552  
 4,299,045 11/1981 Cervantes ..... 42/1

### [57] CLAIM

The ornamental design for a combination operated trigger lock for firearms, as shown and described.

### DESCRIPTION

FIG. 1 is a perspective view of a combination operated trigger lock for firearms embodying our design, with the view showing principally front, bottom and right portions thereof;

FIG. 2 is a perspective view thereof showing principally rear, top and left portions thereof;

FIG. 3 is a front elevational view thereof;

FIG. 4 is a rear elevational view thereof;

FIG. 5 is a top plan view thereof;

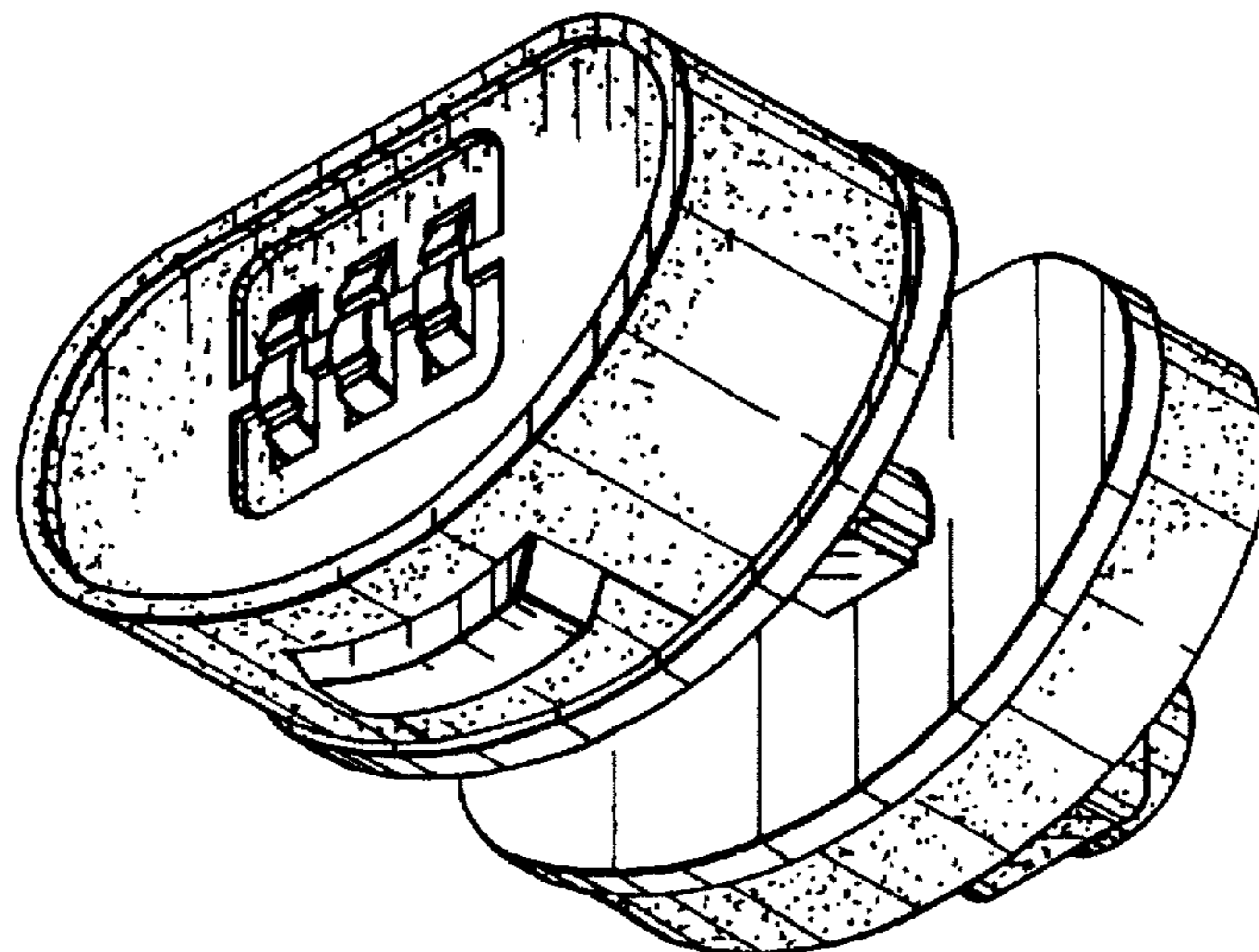
FIG. 6 is a bottom plan view thereof;

FIG. 7 is a right elevational view thereof;

FIG. 8 is a left elevational view thereof; and

FIG. 9 is an exploded perspective view that is similar to FIG. 1 but showing front and rear portions of the trigger lock separated.

1 Claim, 4 Drawing Sheets



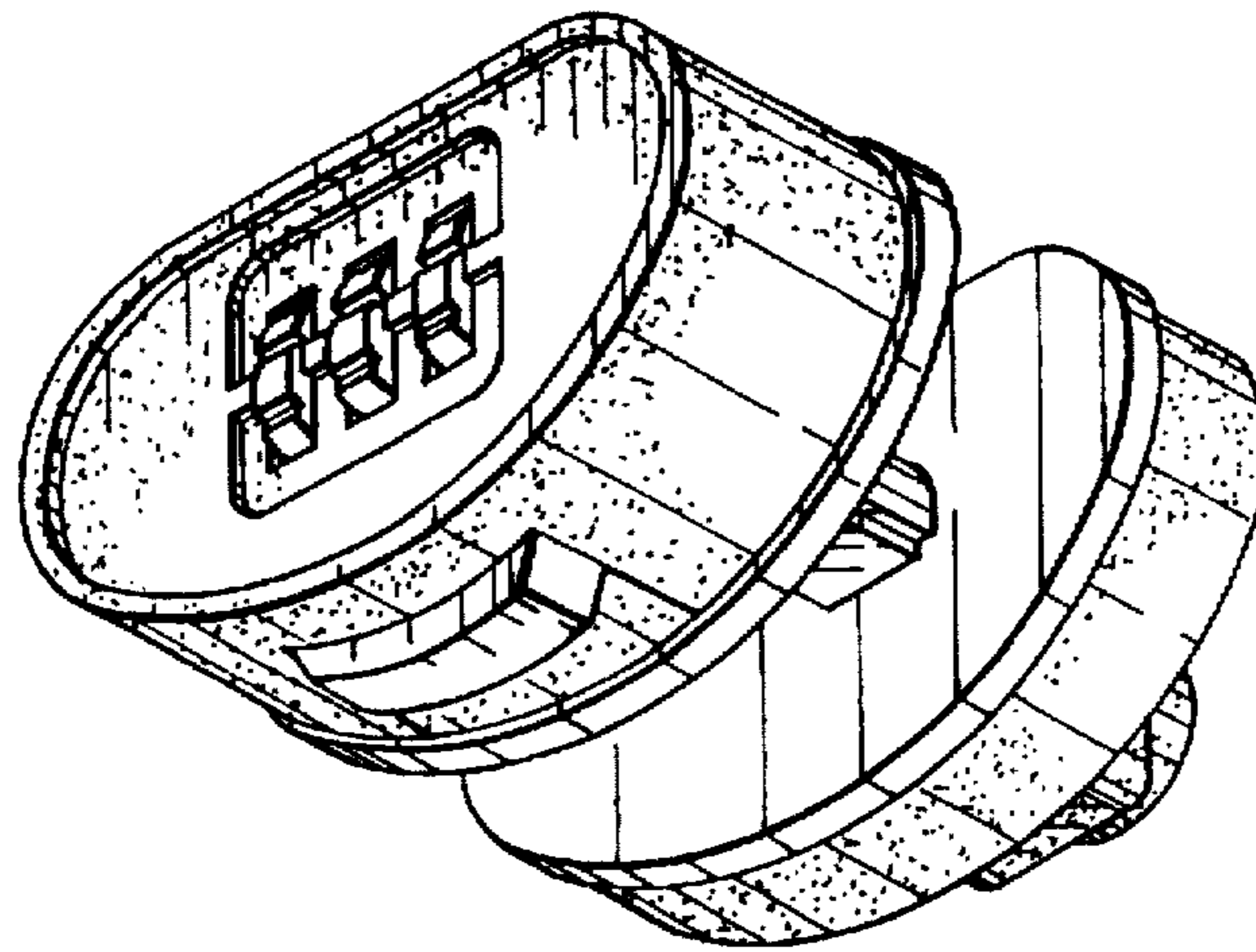


FIG. 1

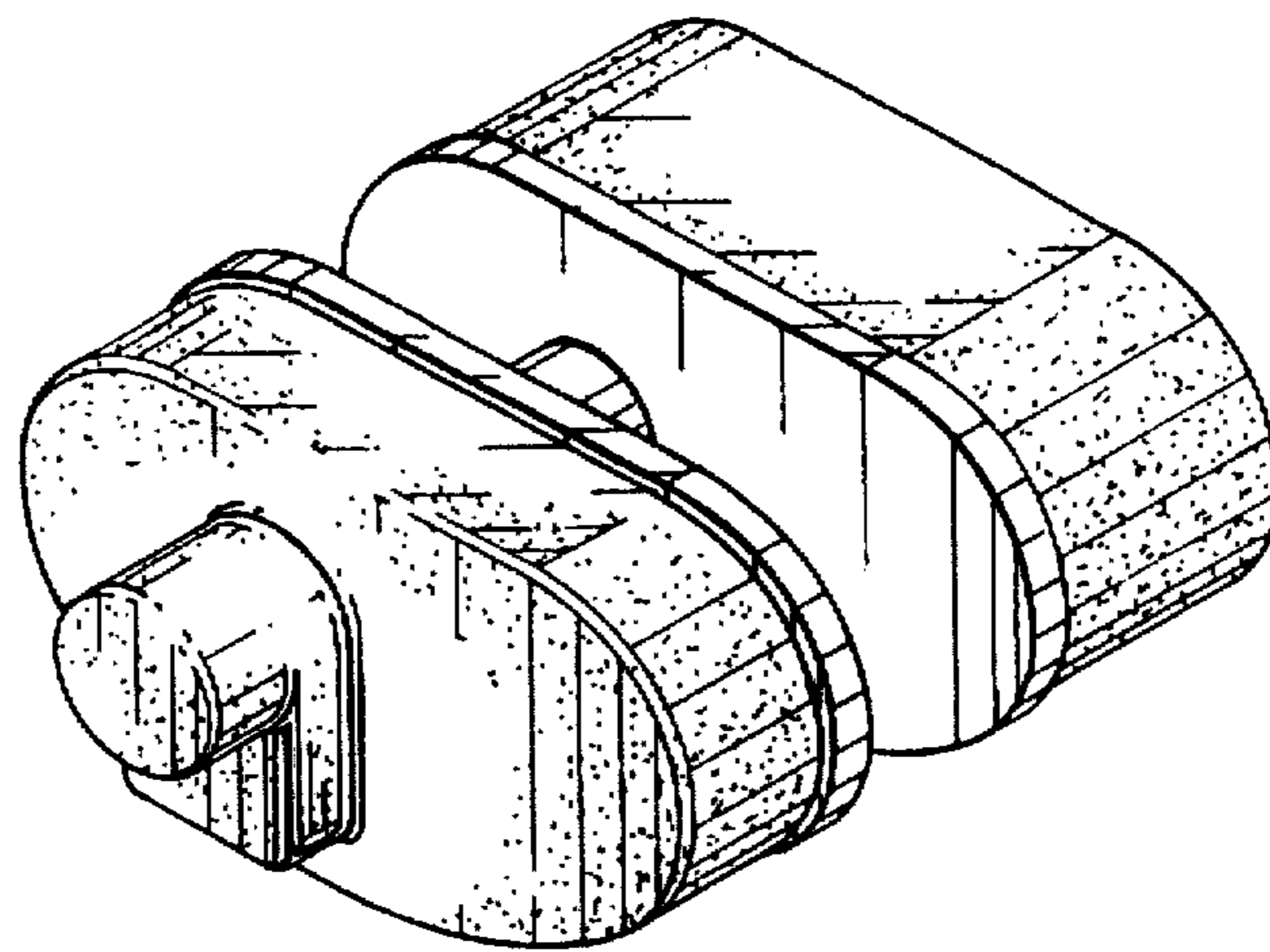


FIG. 2

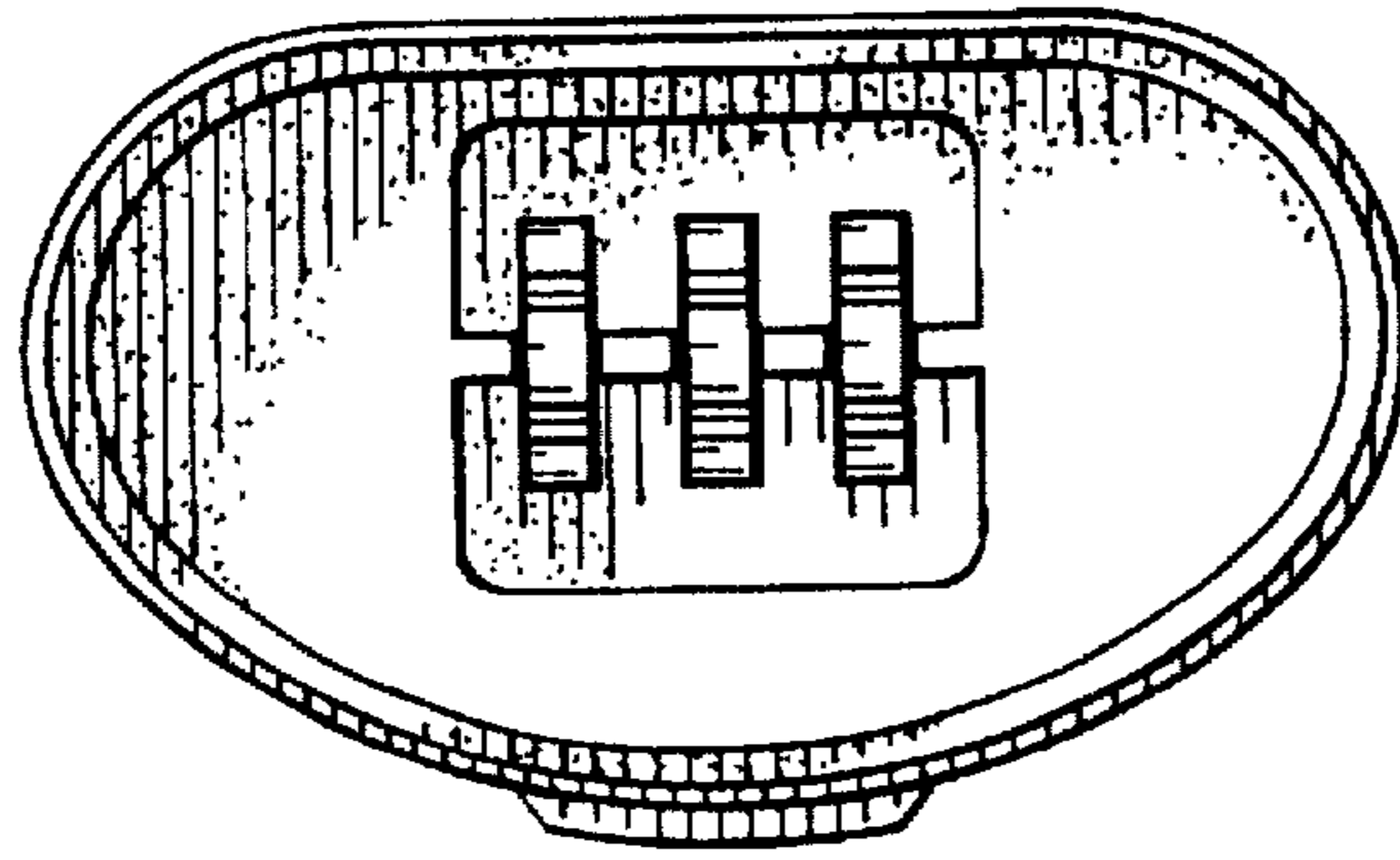


FIG. 3

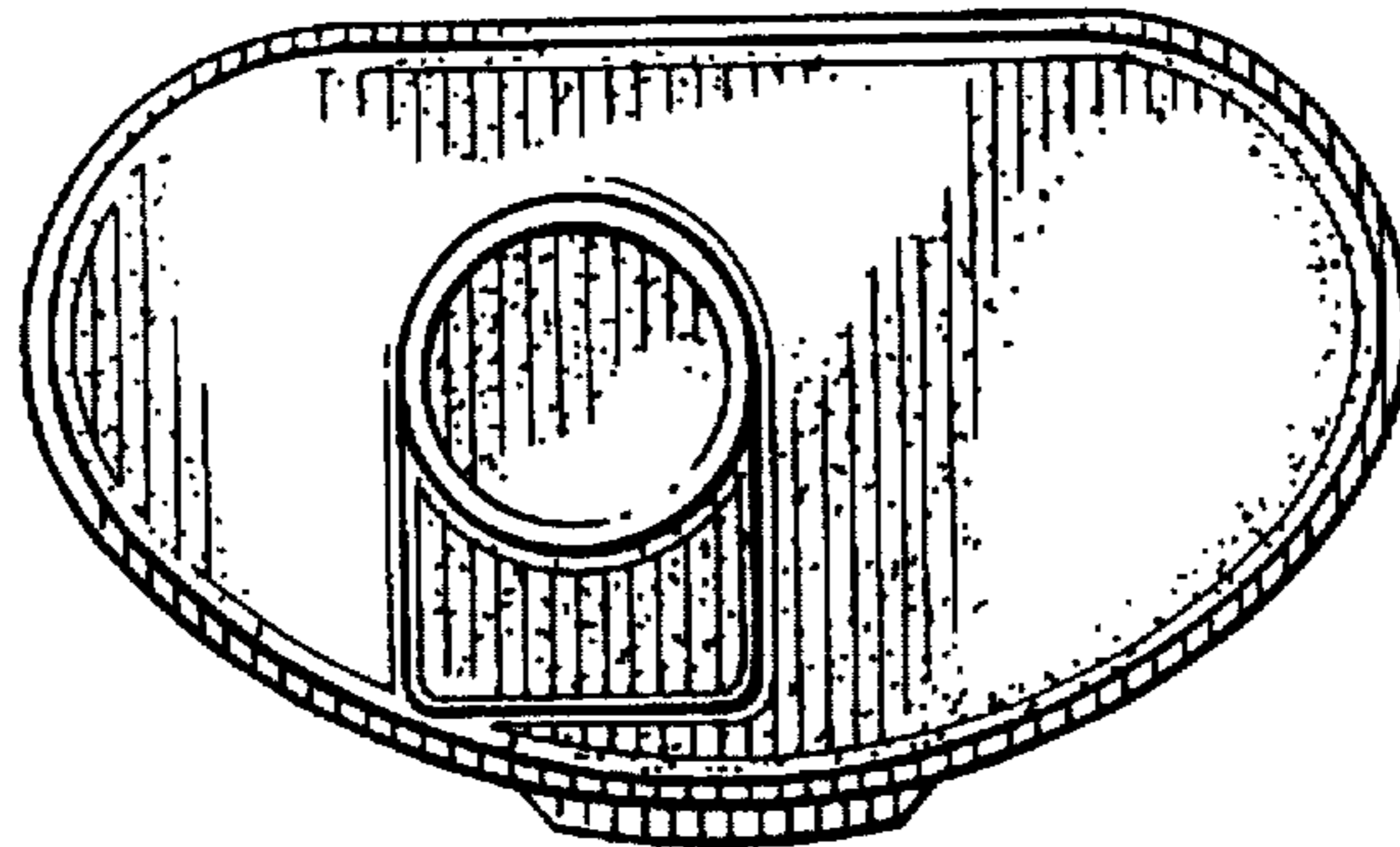


FIG. 4

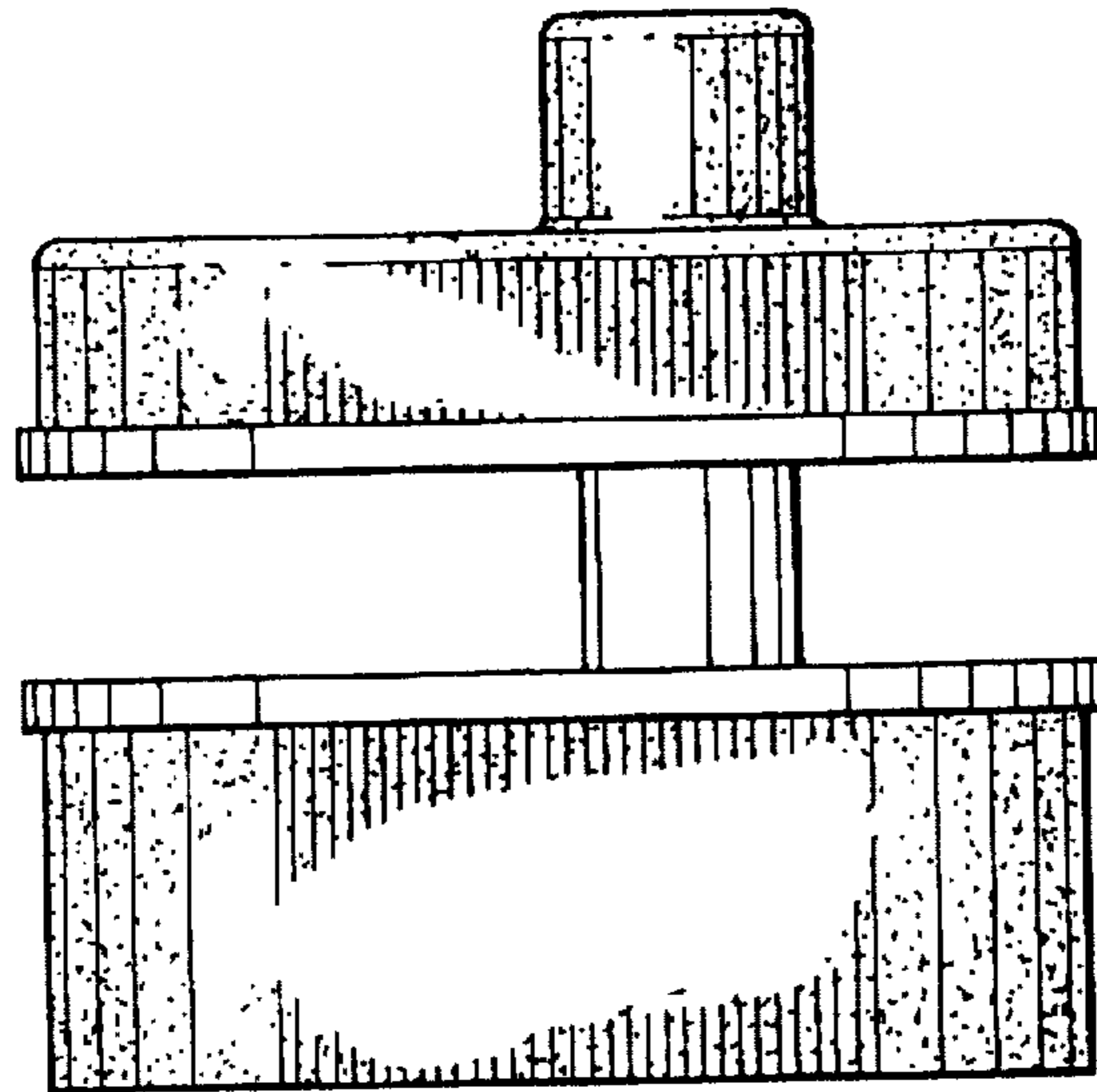


FIG. 5

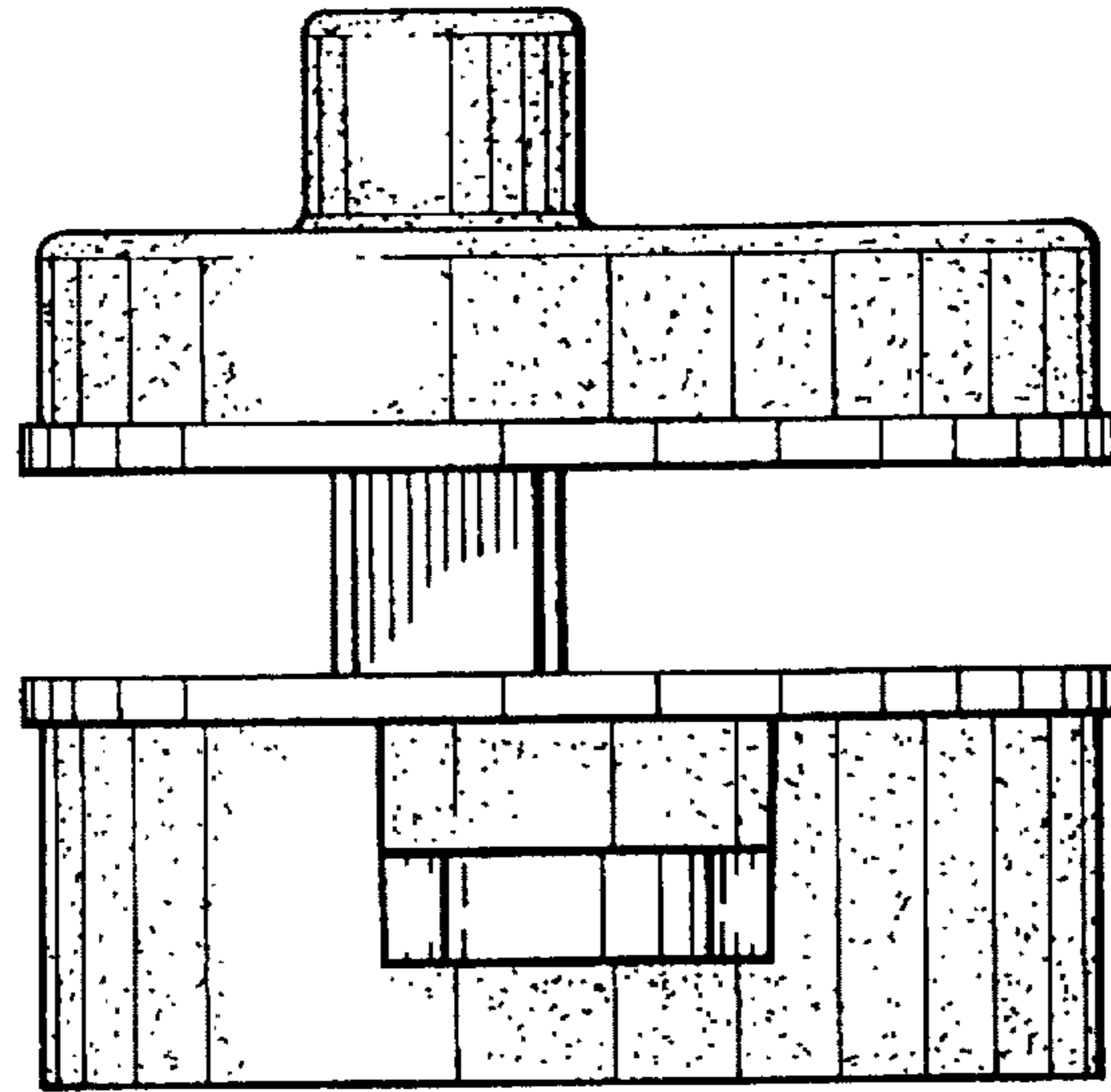


FIG. 6

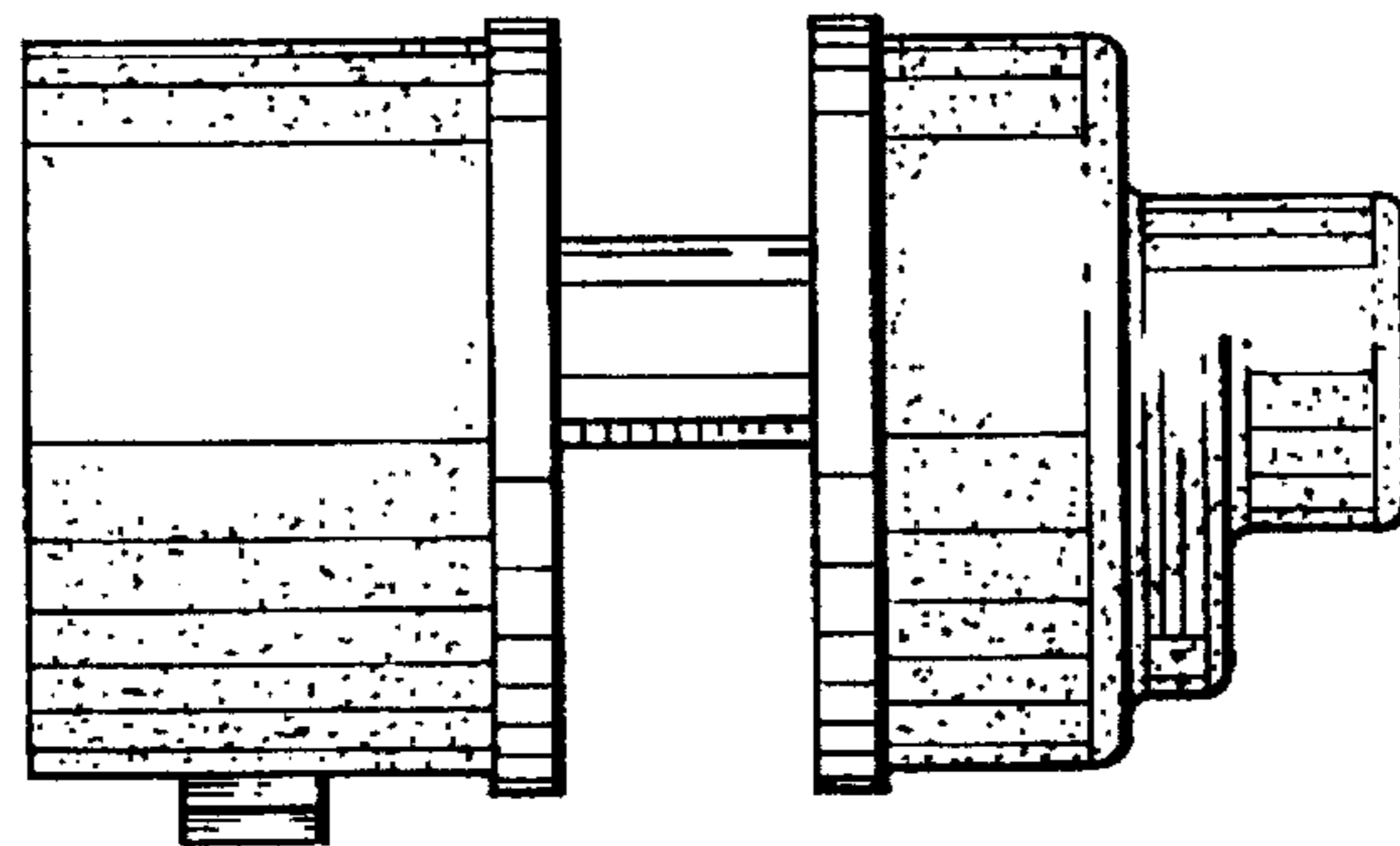


FIG. 7

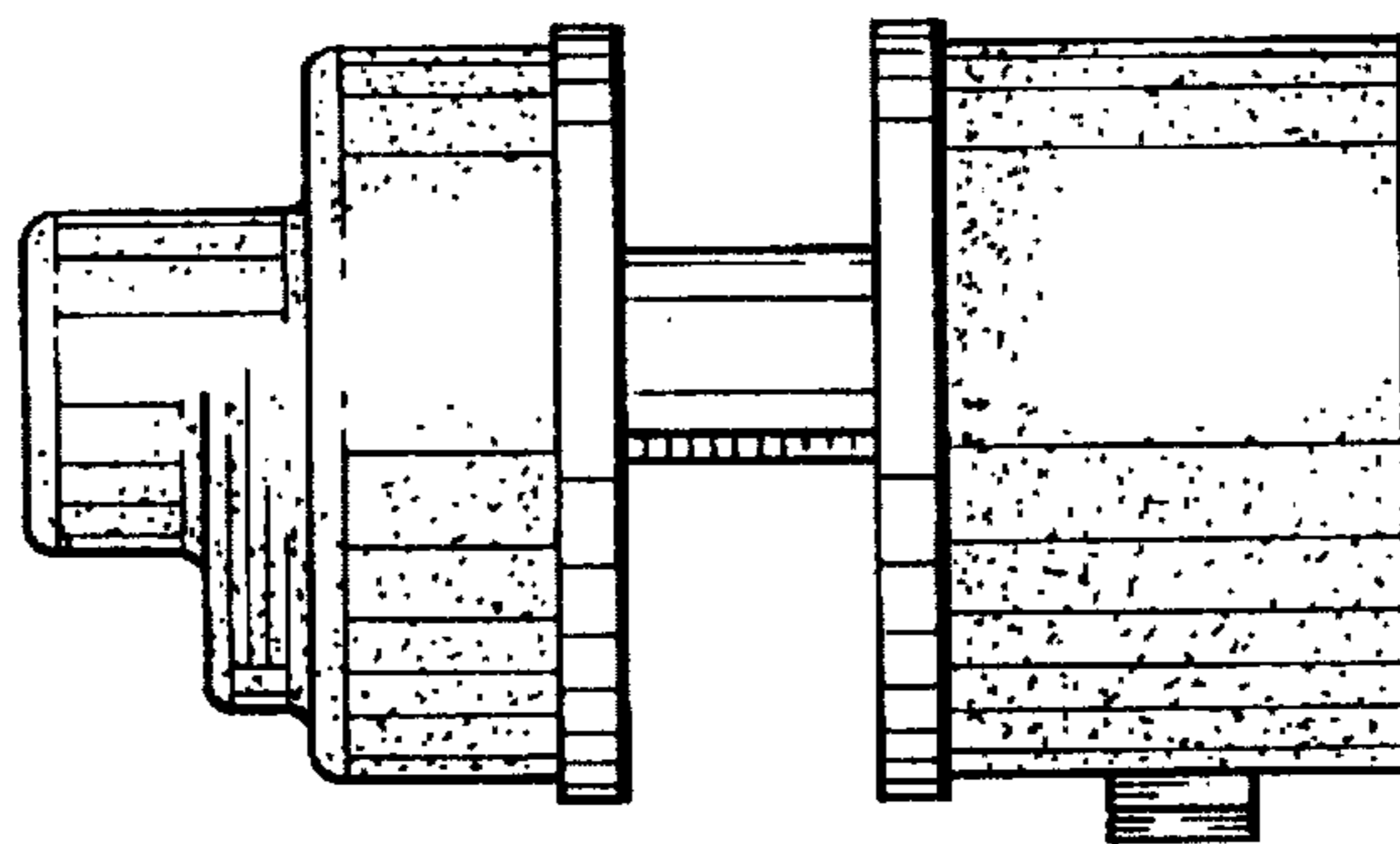


FIG. 8

