



US00D393303S

United States Patent [19]

[11] Patent Number: **Des. 393,303**

Van Wagenen

[45] Date of Patent: ****Apr. 7, 1998**

[54] **CYLINDRICAL CASTLE CLIMBING STRUCTURE**

[75] Inventor: **Gary B. Van Wagenen**, San Marino, Calif.

[73] Assignee: **Little Tikes Commercial Play Systems (OMNI) Inc.**, City of Industry, Calif.

[**] Term: **14 Years**

[21] Appl. No.: **66,074**

[22] Filed: **Feb. 3, 1997**

[51] LOC (6) Cl. **21-03**

[52] U.S. Cl. **D21/245**

[58] Field of Search **D21/240, 244, D21/245, 246; 482/35; 446/102, 487**

[56] **References Cited**

U.S. PATENT DOCUMENTS

D. 213,505	3/1969	Wormser	D21/244
D. 213,508	3/1969	Wormser	D21/244
D. 303,826	10/1989	Aker	D21/244
D. 333,328	2/1993	Aker et al.	D21/114
D. 334,610	4/1993	Aker	D21/244
D. 343,438	1/1994	Fish, Jr.	D21/244
D. 344,773	3/1994	Aker et al.	D21/244
D. 355,693	2/1995	Aker et al.	D21/244
D. 358,860	5/1995	Pipik	D21/245
D. 366,086	1/1996	Ziegler, Jr.	D21/245
D. 366,686	1/1996	Ziegler, Jr.	D21/244
D. 367,694	3/1996	Van Huystee	D21/244
D. 367,911	3/1996	Van Huystee	D21/244
D. 374,902	10/1996	Bookstaver et al.	D21/246
D. 377,075	12/1996	Temple et al.	D21/244
D. 377,203	1/1997	Jaeb	D21/244
D. 380,519	7/1997	Van Huystee	D21/240

OTHER PUBLICATIONS

P. 31, Cylindrical castle climbing structure; Burke Company, Inc., 660 Van Dyne Road, P. O. Box 549, Fond du Lac, Wisconsin 54936. Publication date 1992.

P. 30, Cylindrical castle climbing structure; Landscape Structures Inc., 601 7th Street South, Delano, Minnesota 55328. Publication date 1992.

P. 69, Cylindrical castle climbing structure; GameTime, Inc., P. O. Box 121, Fort Payne, Alabama 35967. Publication date 1995.

Catalog page, Cylindrical castle climbing structure; GameTime, Inc., P. O. Box 121, Fort Payne, Alabama 35967. Publication date 1993.

Pp. 4 and 12, Cylindrical castle climbing structures; Child-Life Inc., 55 Whitney Street, Holliston, Massachusetts 01746. Publication date 1995.

Pp. 4-7, 20 and 21, Cylindrical castle climbing structure; Consumer Buying Guide, address unknown. Publication date 1994.

Catalog page, Cylindrical castle climbing structure; Step 2 Corporation, 2200 Highland Road, P. O. Box 444, Twinsburg, Ohio 44087. Publication date 1993.

Primary Examiner—Ted Shooman

Assistant Examiner—Mitchell I. Siegel

Attorney, Agent, or Firm—Richard B. O'Planick; Lisa B. Riedesel

[57] **CLAIM**

The ornamental design for a cylindrical castle climbing structure, as shown and described.

DESCRIPTION

FIG. 1 is a top left front perspective view of a cylindrical castle climbing structure showing my new design;

FIG. 2 is a front elevational view thereof;

FIG. 3 is a left side elevational view thereof;

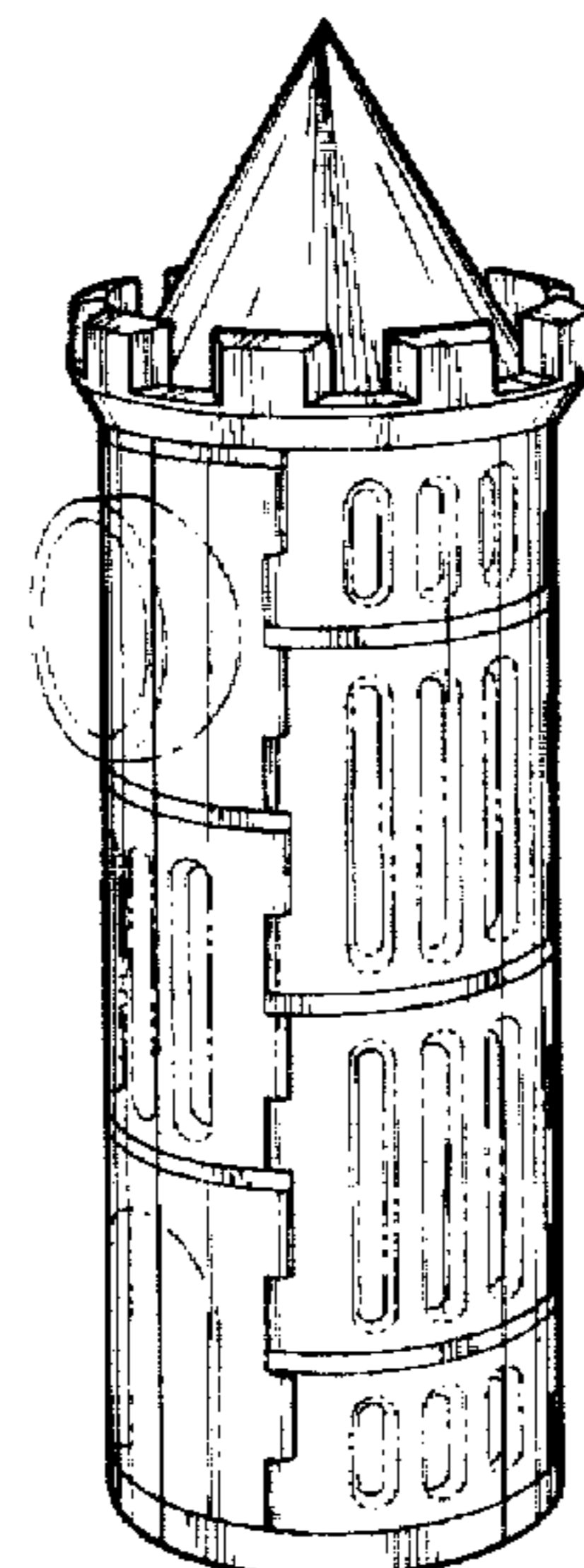
FIG. 4 is a right side elevational view thereof;

FIG. 5 is a rear elevational view thereof; and,

FIG. 6 is a top plan view thereof.

The broken lines are for illustrative purposes only and form no part of the claimed design.

1 Claim, 3 Drawing Sheets



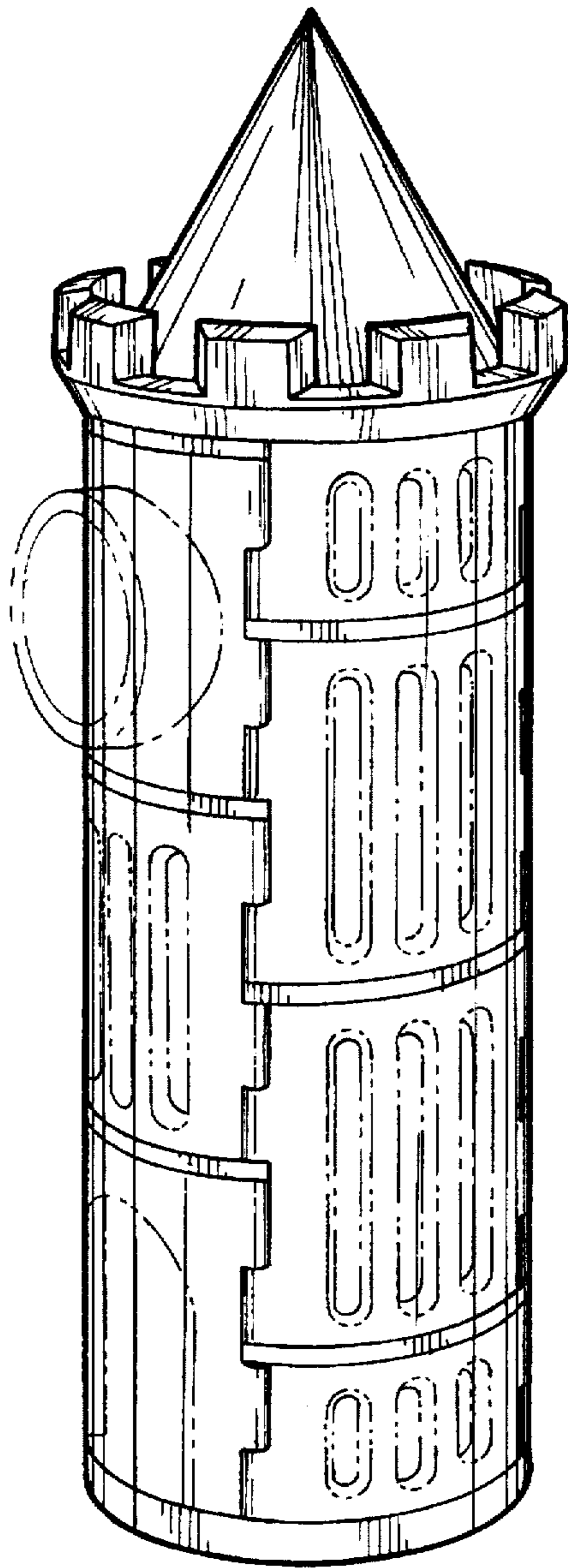


Fig - 1

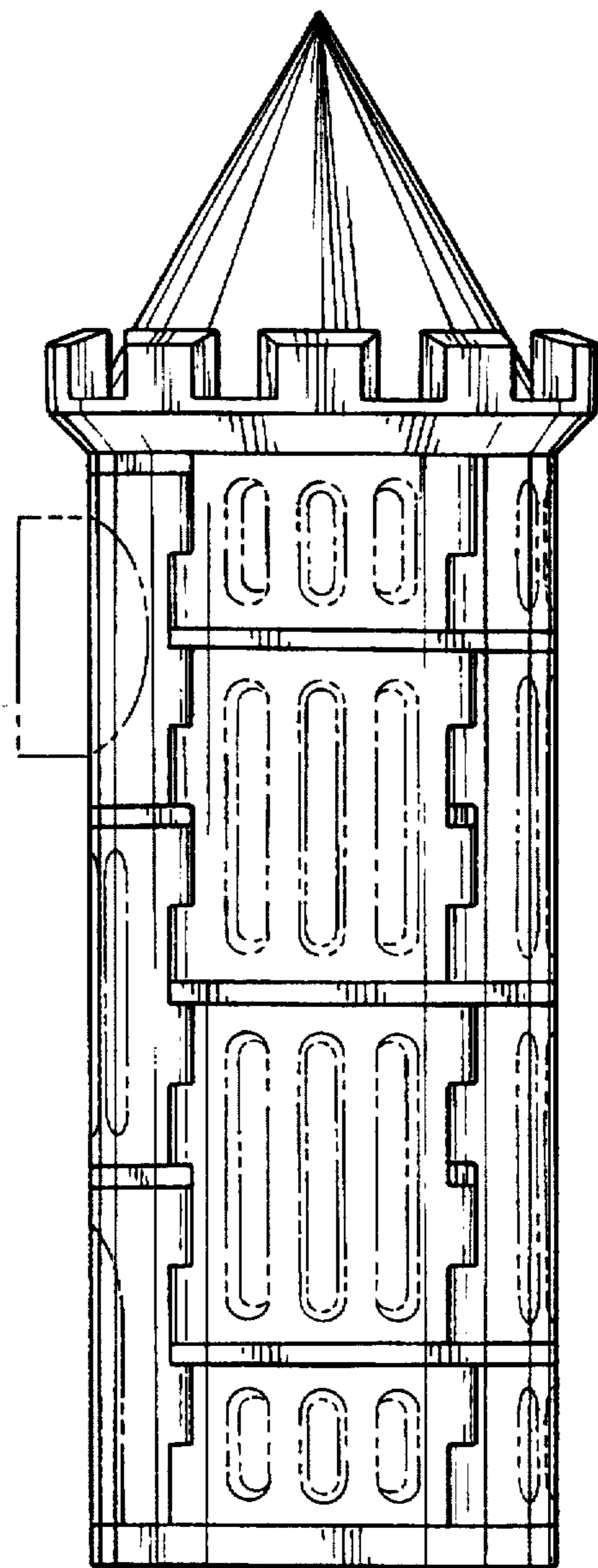


Fig - 2

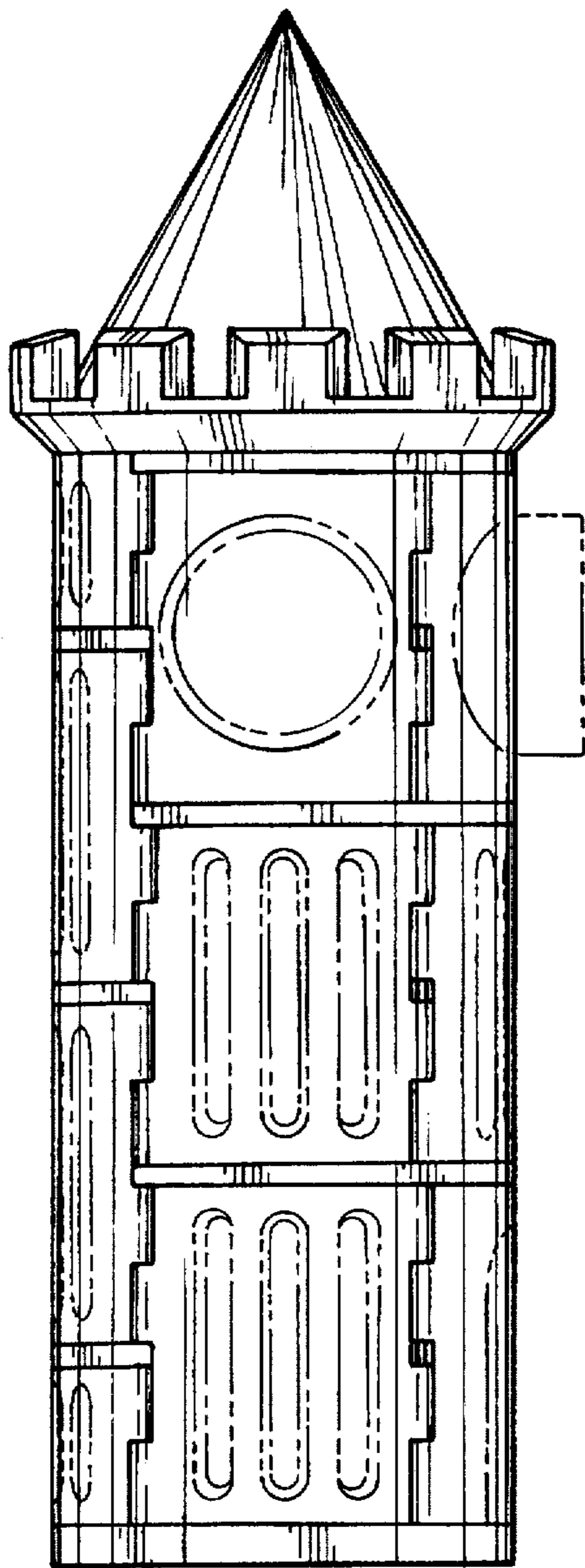


Fig - 3

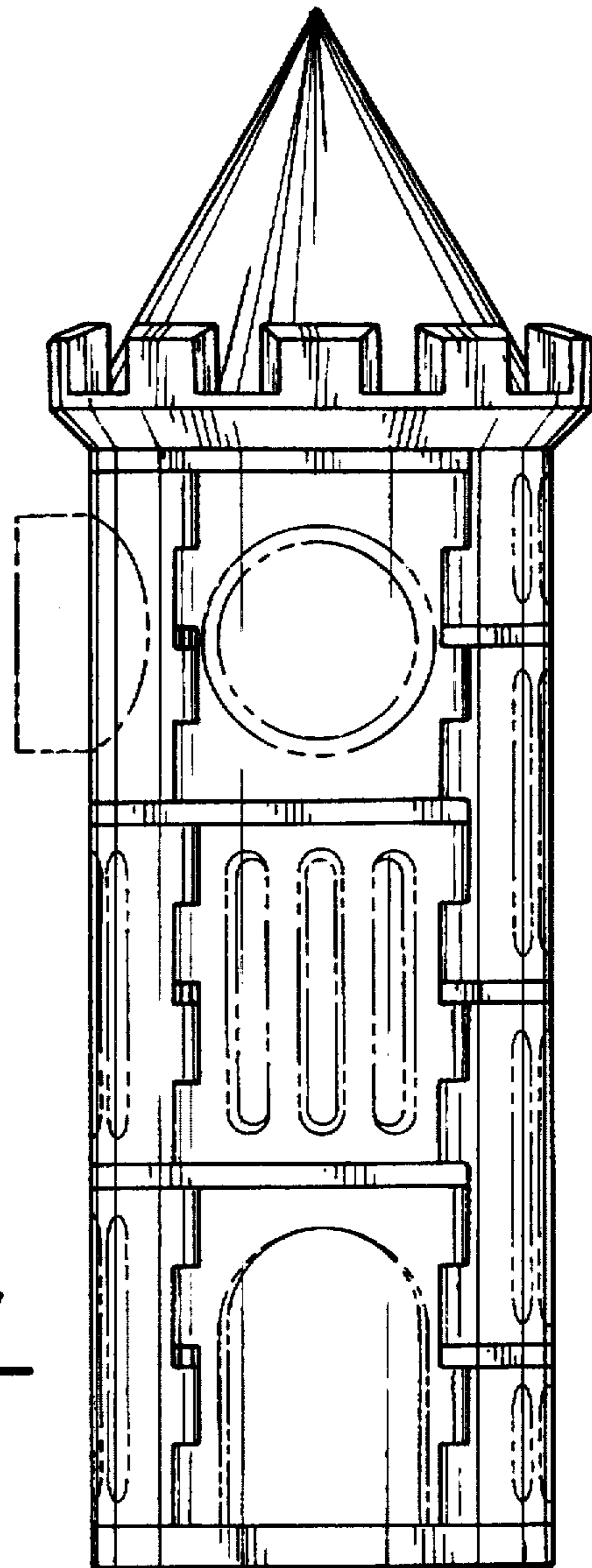


Fig - 4

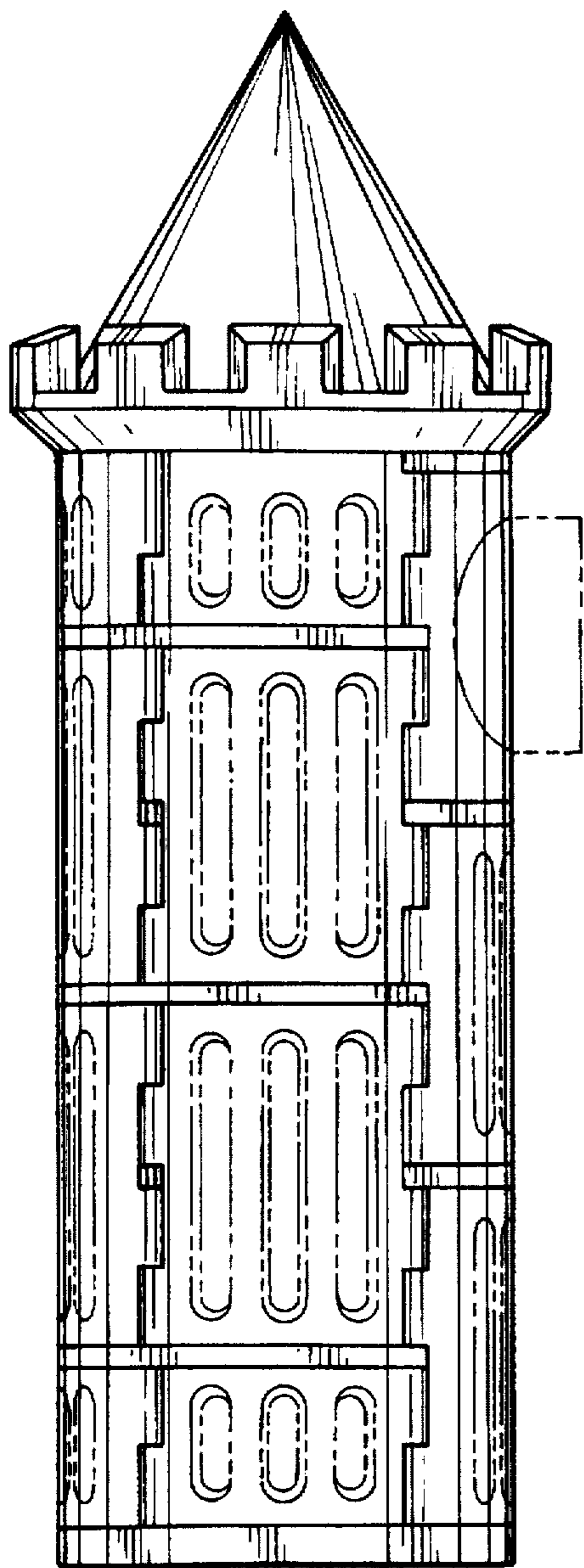


Fig - 5

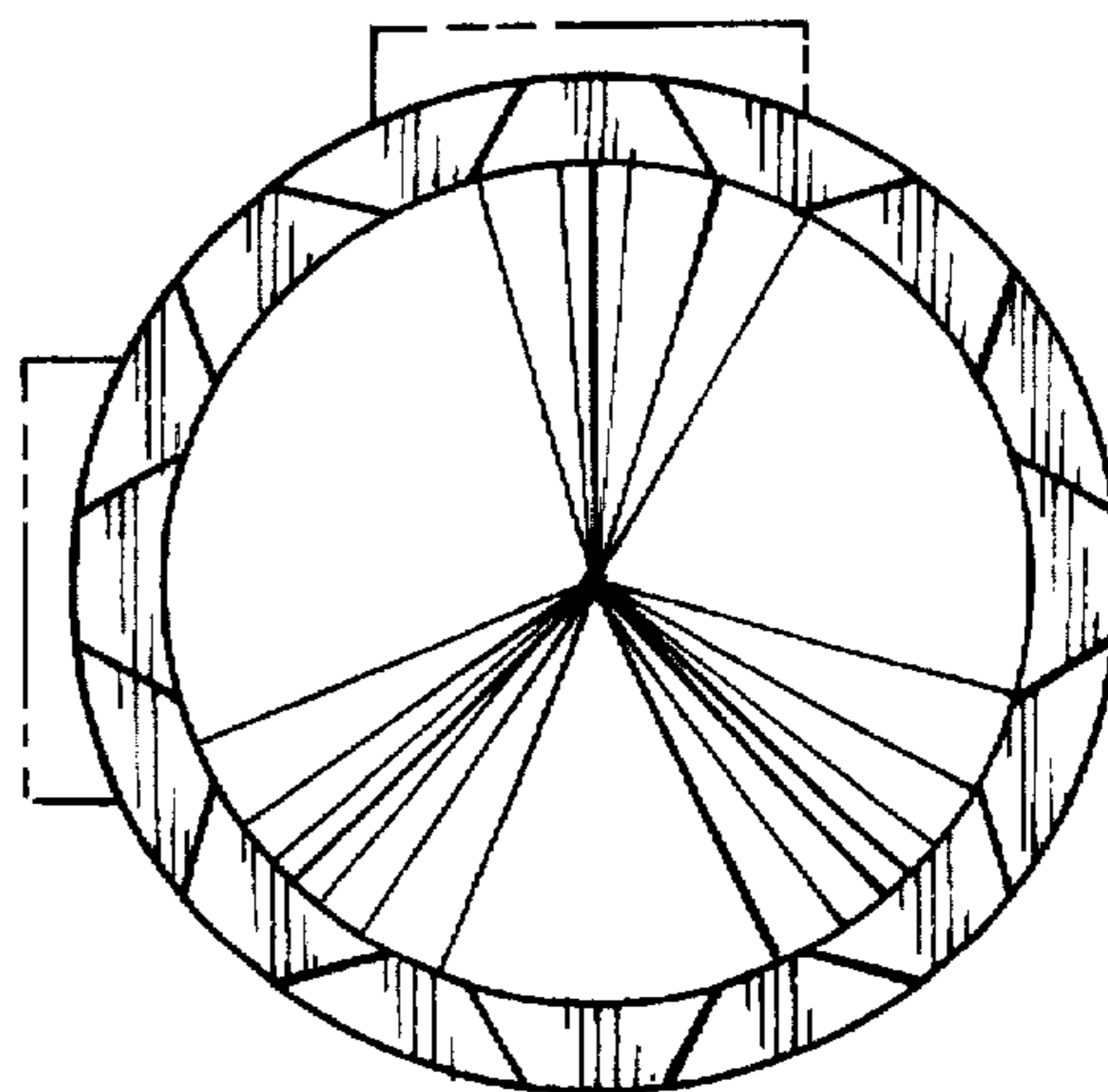


Fig - 6