



US00D393302S

# United States Patent [19] Renegar

[11] Patent Number: Des. 393,302  
[45] Date of Patent: \*\*Apr. 7, 1998

## [54] FOUR SURFACE SOLE CONTOUR FOR GOLF CLUBS

[76] Inventor: Robert M. Renegar, 304 Black Bear Trail, Murfreesboro, Tenn. 37127

[\*\*] Term: 14 Years

[21] Appl. No.: 63,851

[22] Filed: Dec. 17, 1996

[51] LOC (6) Cl. .... 21-02

[52] U.S. Cl. .... D21/221

[58] Field of Search ..... D21/214, 217-219, D21/220, 221; 473/350, 327, 328, 251-256; D24/124, 125; D25/46, 126, 135, 112, 113

### [56] References Cited

#### U.S. PATENT DOCUMENTS

|            |         |              |       |           |
|------------|---------|--------------|-------|-----------|
| D. 12,973  | 6/1882  | Thomas       | ..... | D25/42 X  |
| D. 357,521 | 4/1995  | Wittrock     | ..... | D21/220   |
| D. 360,009 | 7/1995  | Grace        | ..... | D21/221 X |
| D. 378,689 | 4/1997  | Beck         | ..... | D21/220   |
| 5,465,970  | 11/1995 | Adams et al. | ..... | 473/328   |
| 5,658,206  | 8/1997  | Antonious    | ..... | 473/328   |

#### OTHER PUBLICATIONS

Golf Digest; p. 78; Ginty iron and wood, top of page, May 1978.

Primary Examiner—Sandra L. Morris  
Assistant Examiner—Mitchell I. Siegel

## [57] CLAIM

The ornamental design for a four surface sole contour for golf clubs, as shown and described.

## DESCRIPTION

FIG. 1 is a front perspective view of the four-surface sole contour for golf clubs;

FIG. 2 is a front view thereof;

FIG. 3 is a side view thereof;

FIG. 4 is an end view thereof;

FIG. 5 is a front perspective view of a second embodiment of the four surface sole contour for golf clubs as disclosed in FIG. 1;

FIG. 6 is a front view of FIG. 5;

FIG. 7 is a side view of FIG. 5;

FIG. 8 is an end view of FIG. 5;

FIG. 9 is a front perspective view of a third embodiment of the four surface sole contour for golf clubs as disclosed in FIG. 1;

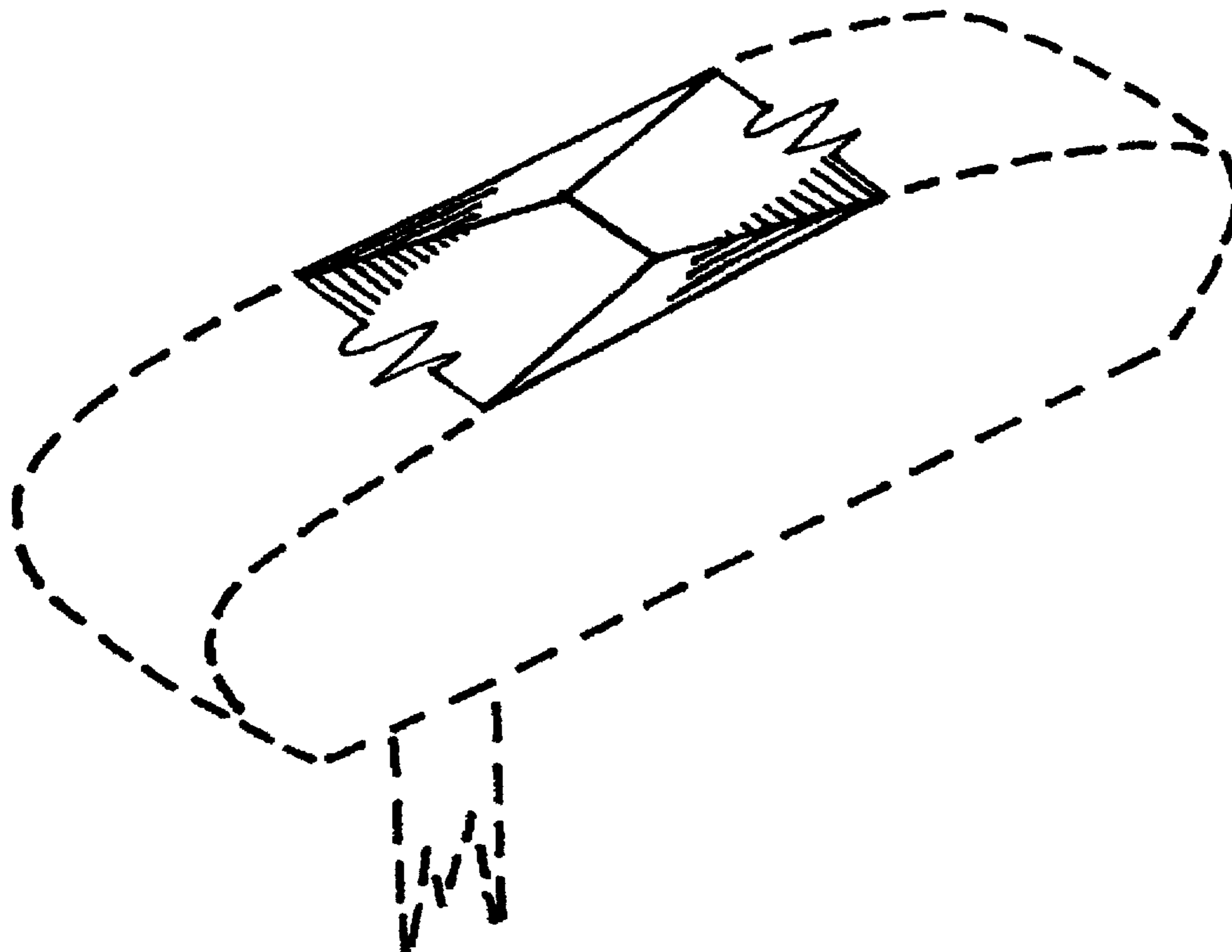
FIG. 10 is a front view of FIG. 9;

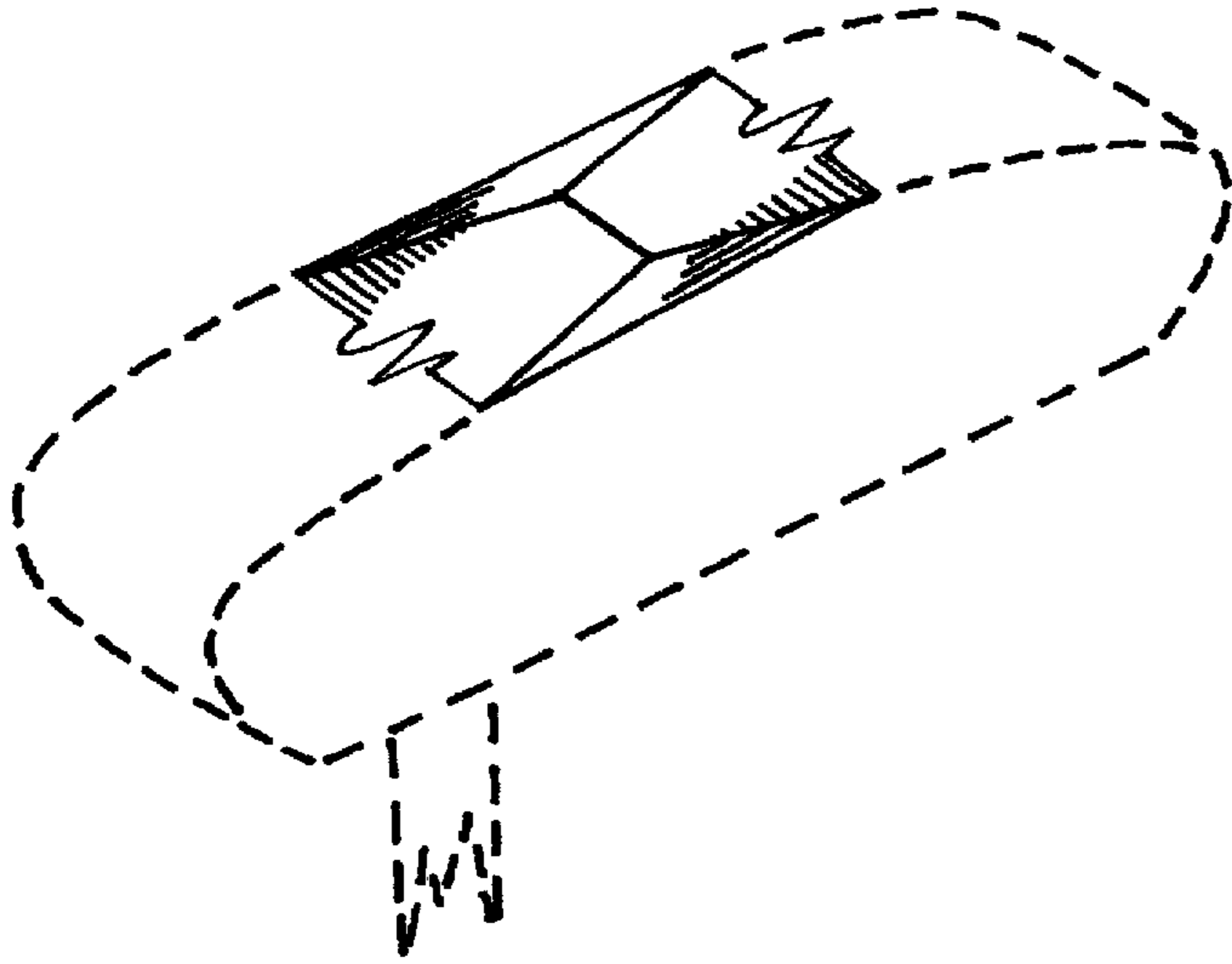
FIG. 11 is a side view of FIG. 9;

FIG. 12 is an end view of FIG. 9.

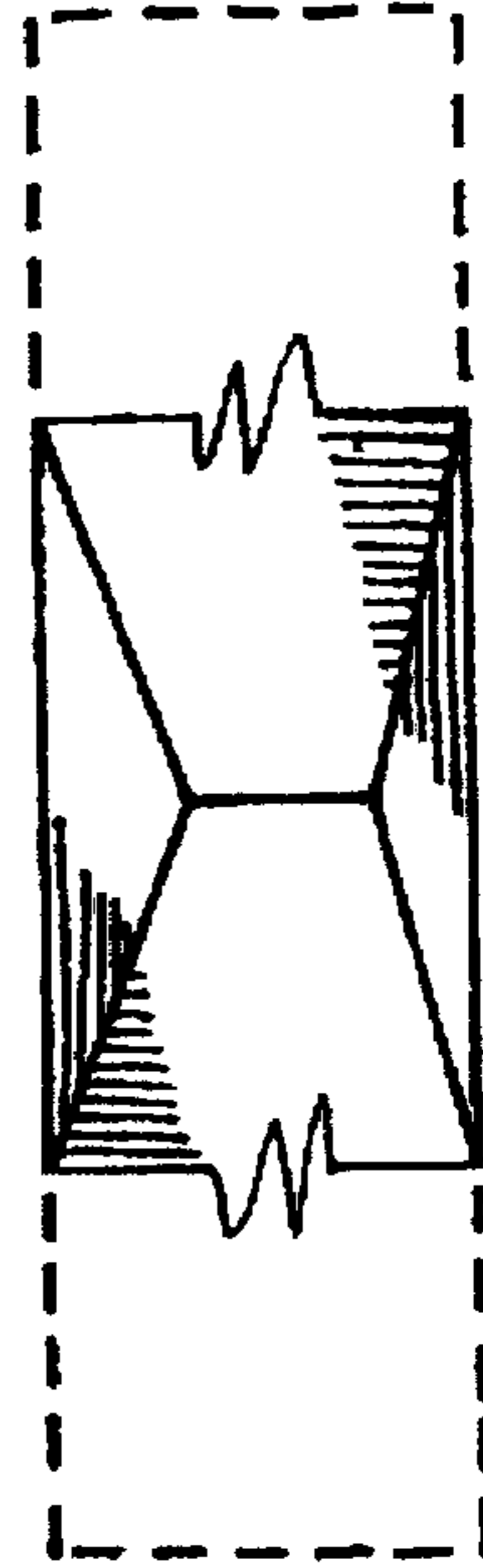
The broken line showing of a putter, iron, and wood is for illustrative purposes only and forms no part of the claimed design.

1 Claim, 3 Drawing Sheets

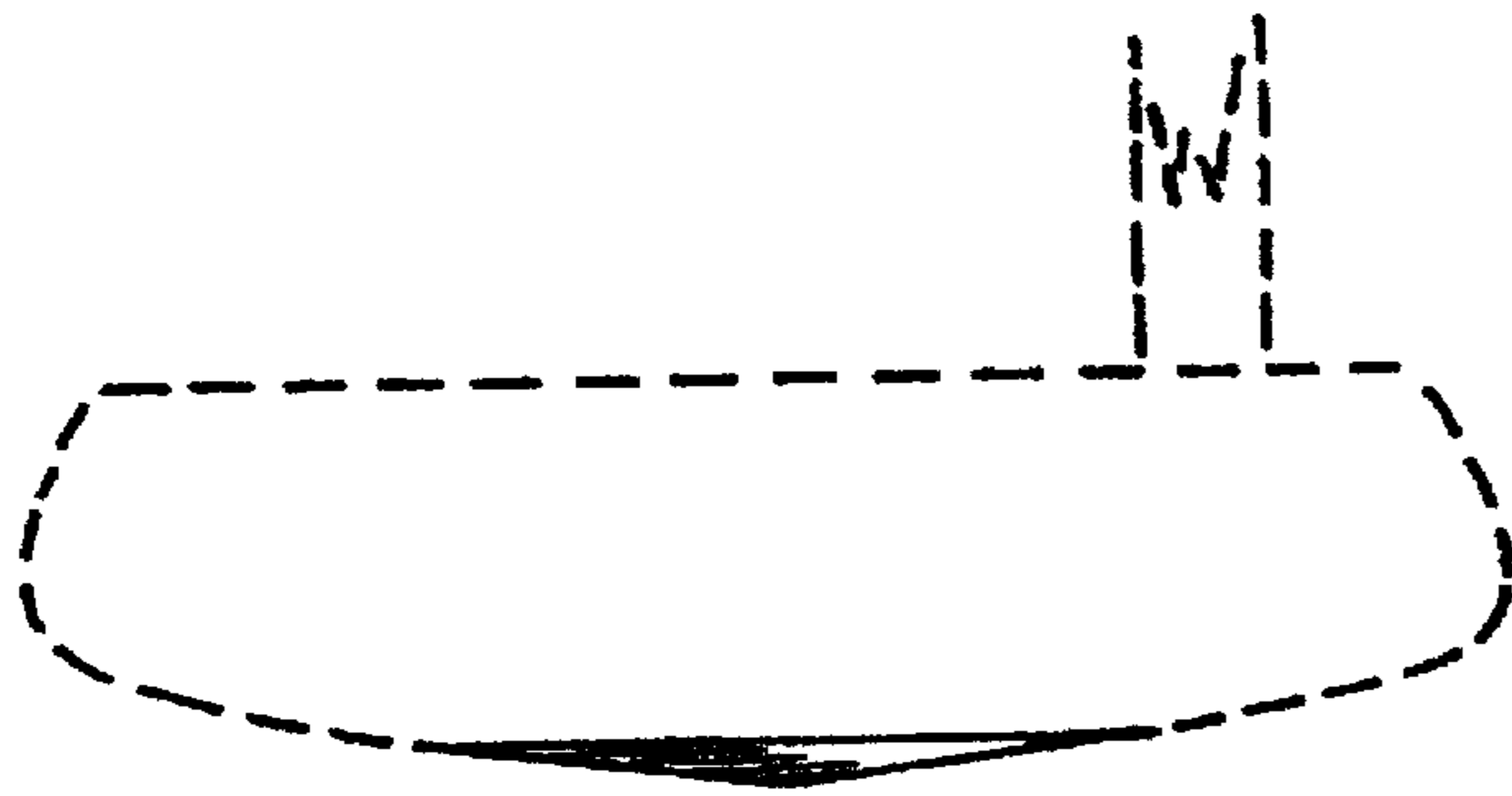




**FIGURE 1**



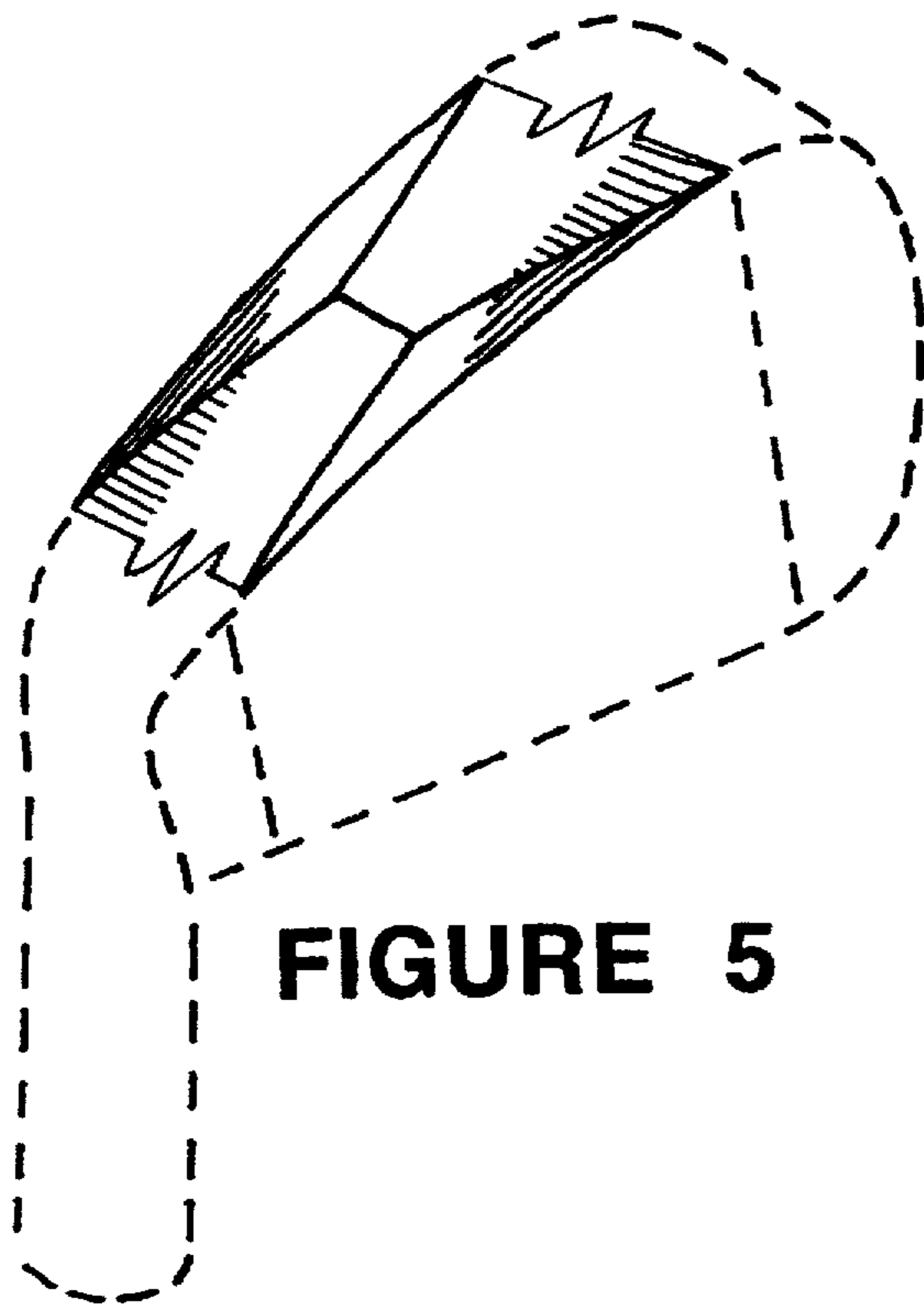
**FIGURE 2**



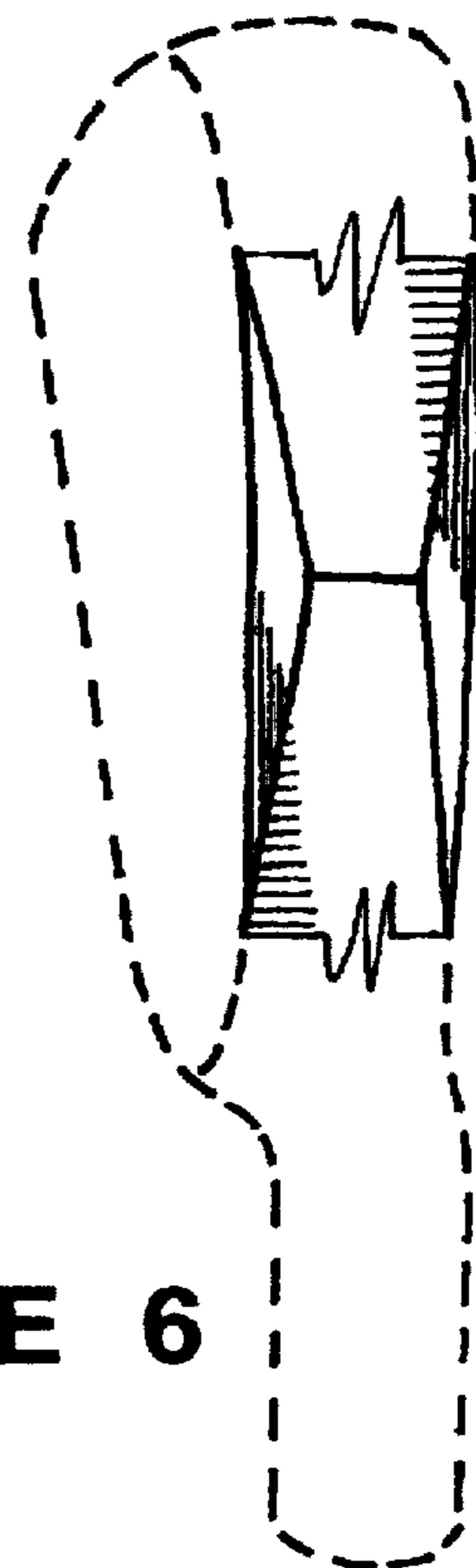
**FIGURE 3**



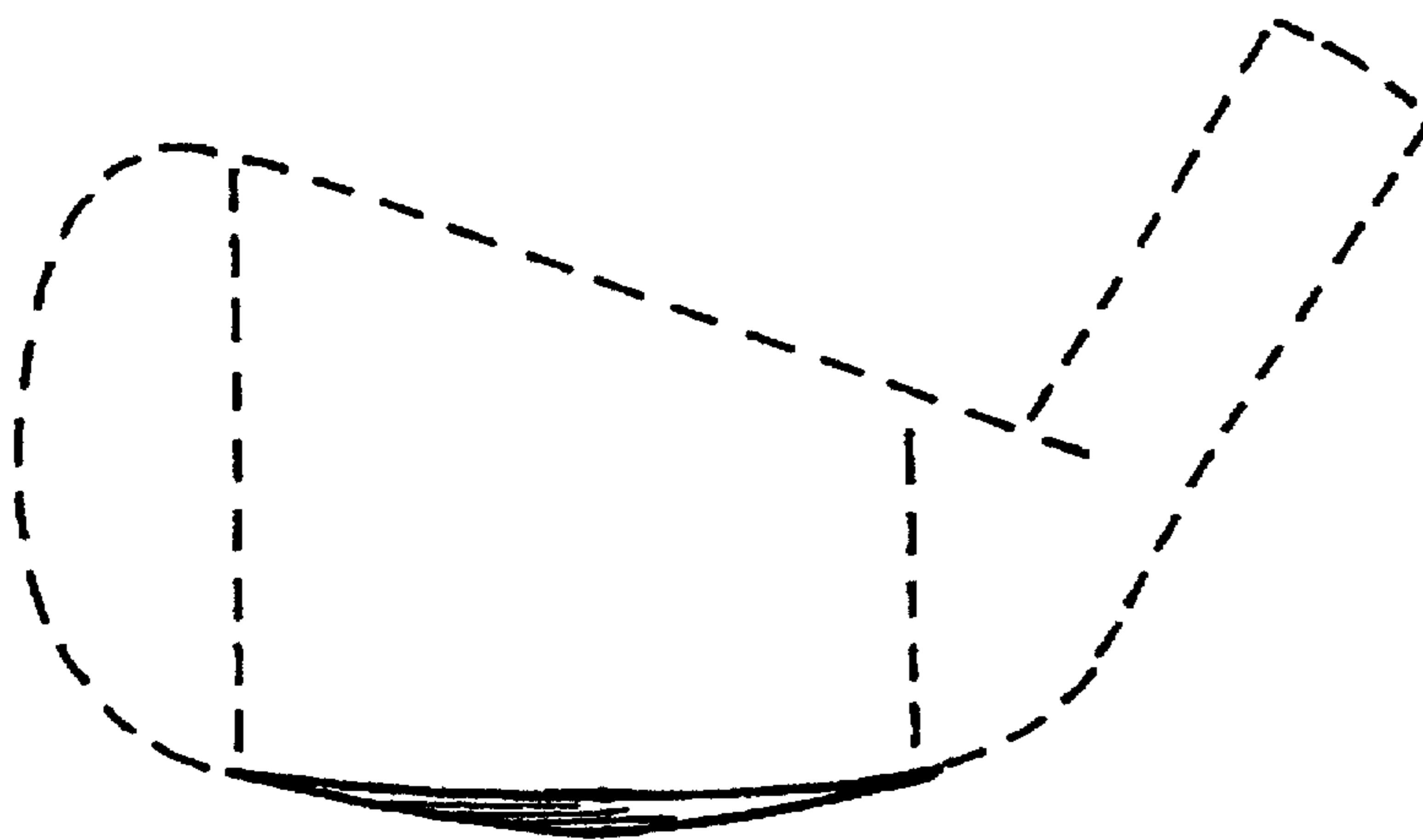
**FIGURE 4**



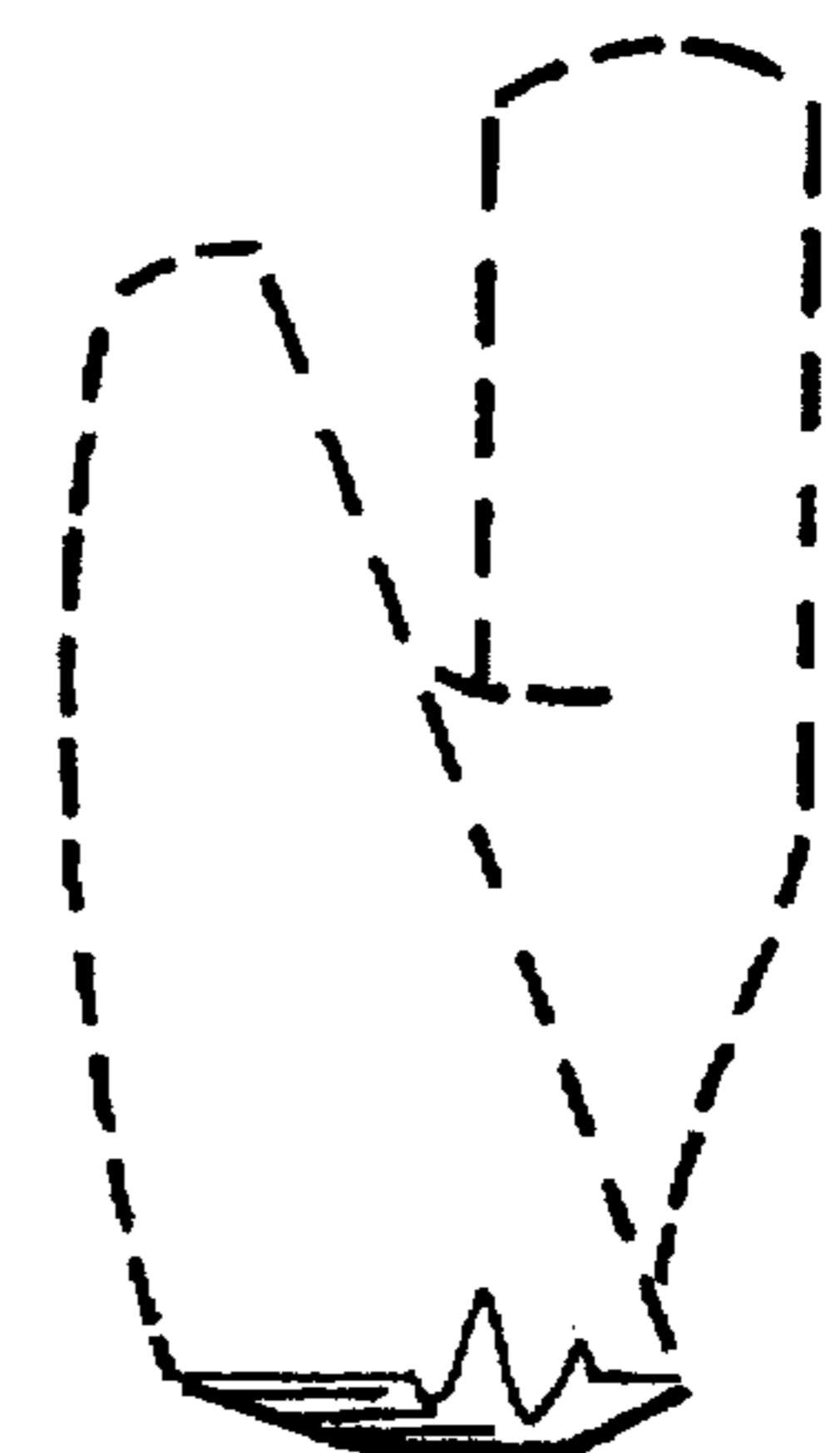
**FIGURE 5**



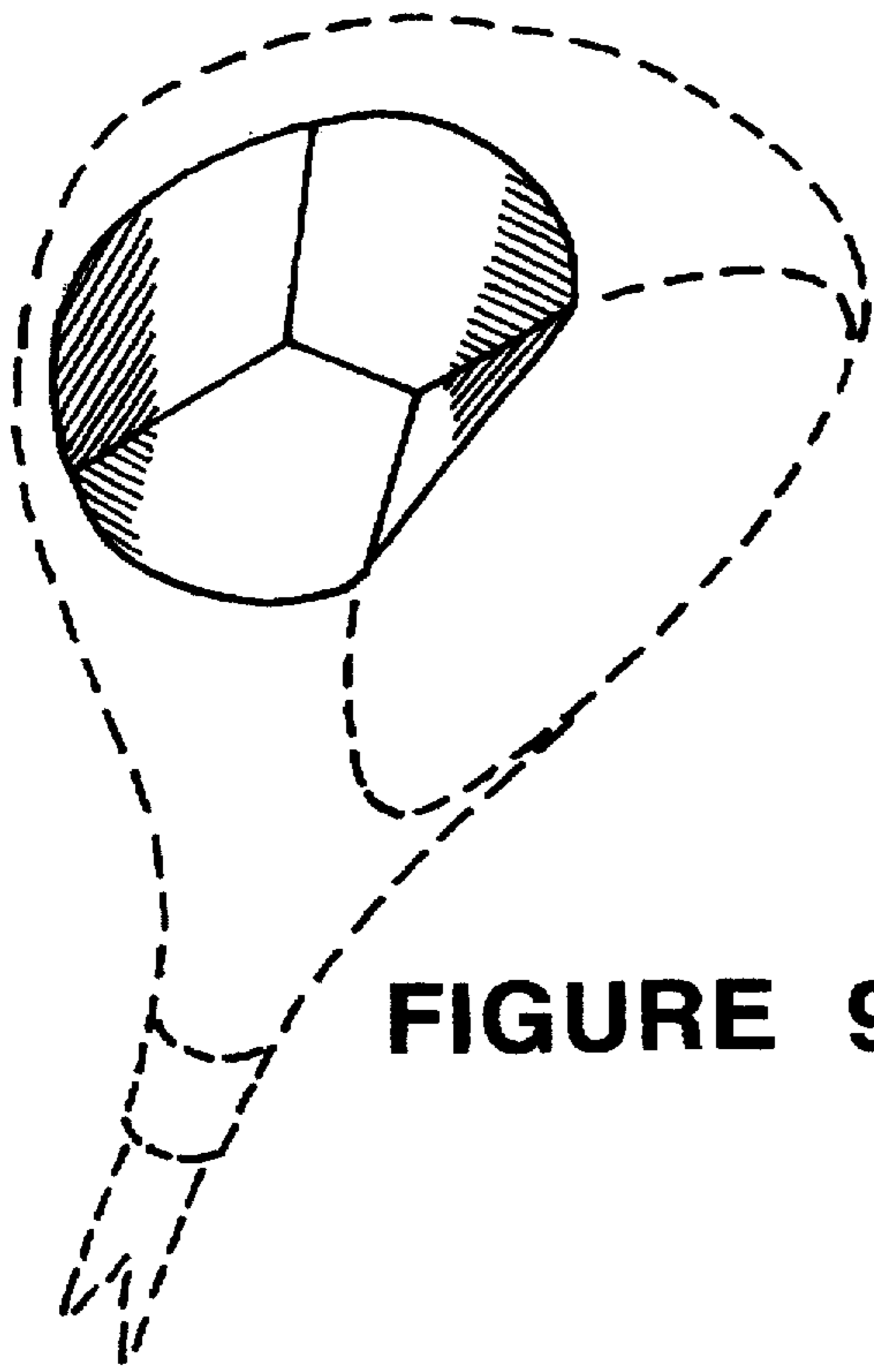
**FIGURE 6**



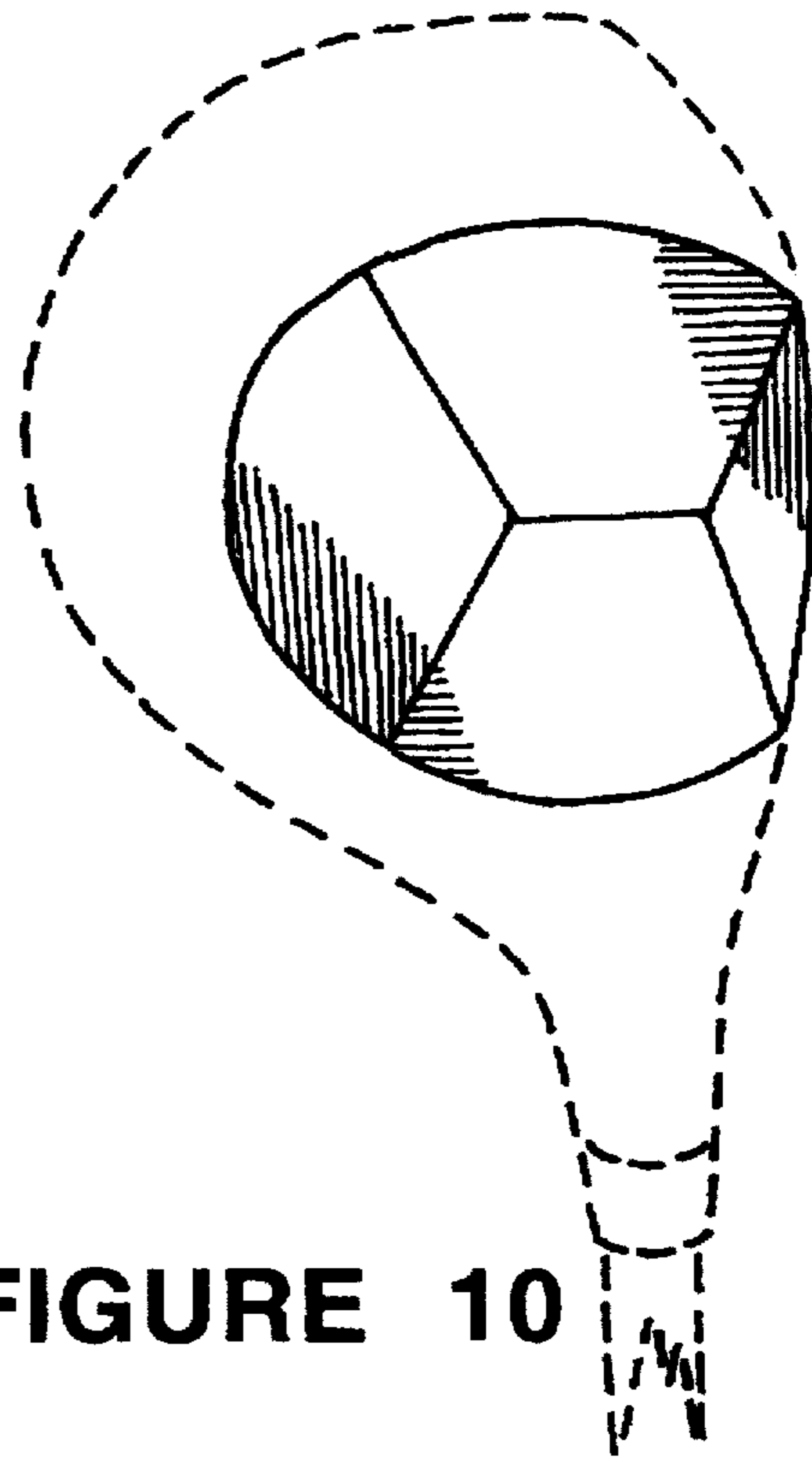
**FIGURE 7**



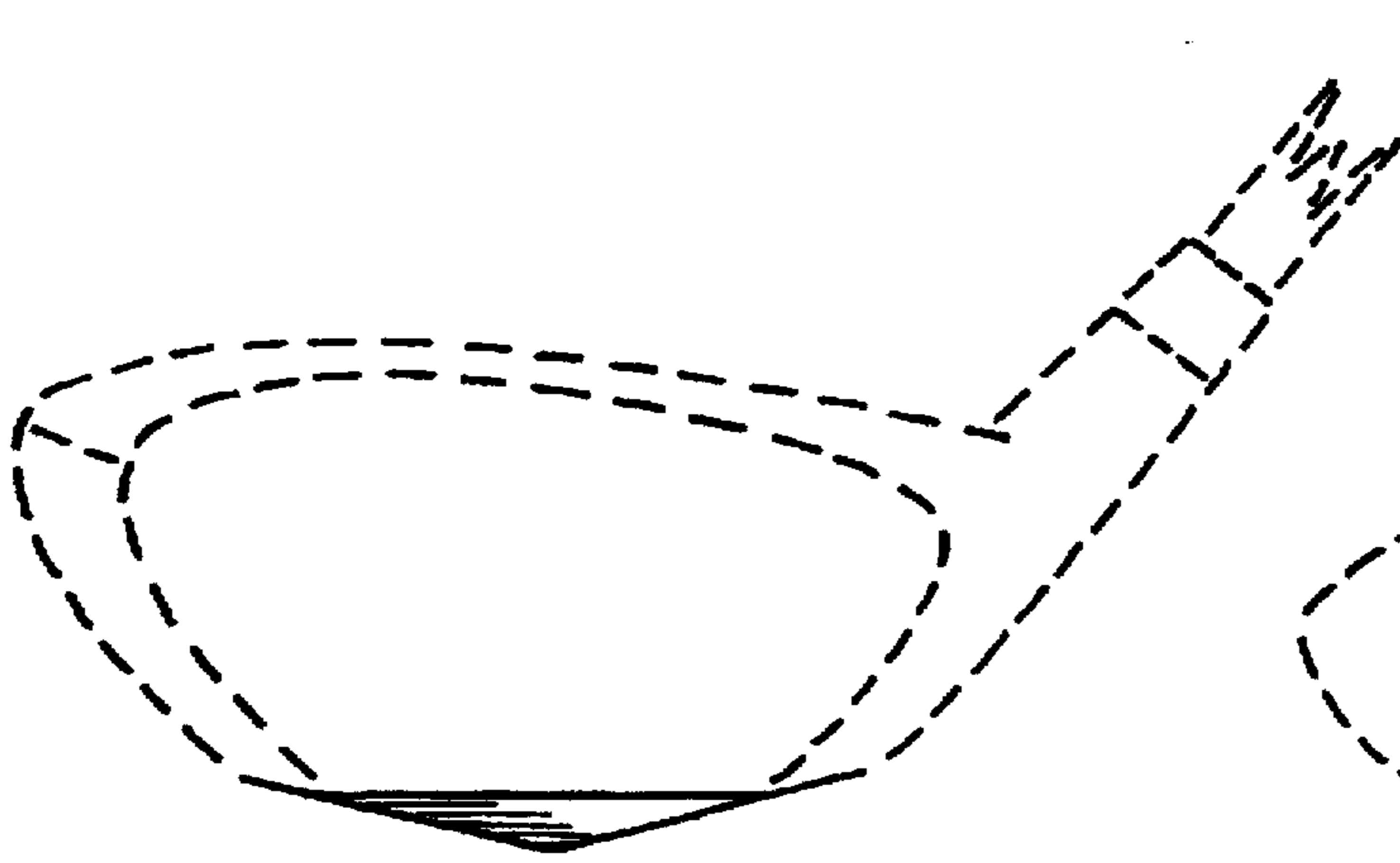
**FIGURE 8**



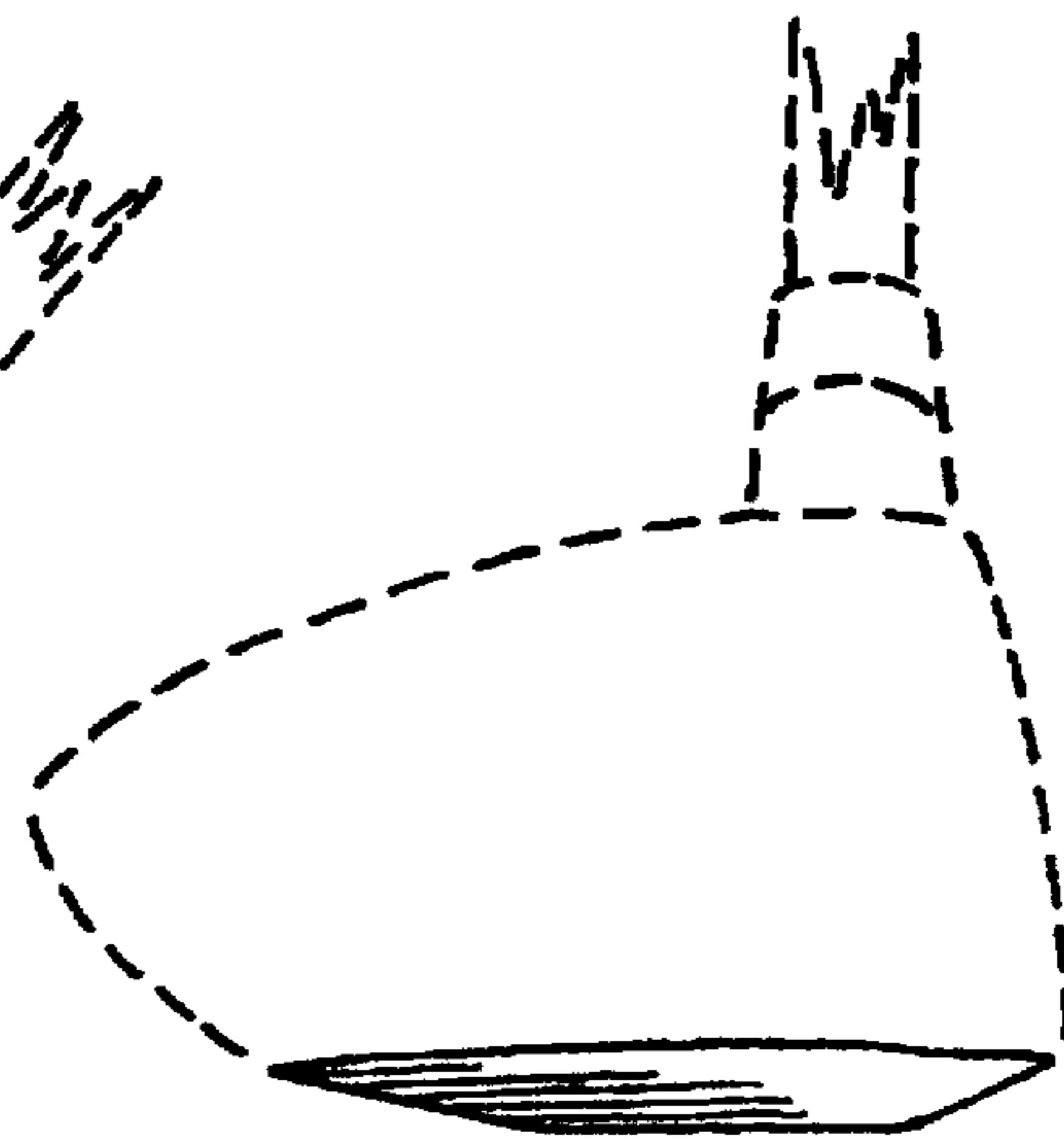
**FIGURE 9**



**FIGURE 10**



**FIGURE 11**



**FIGURE 12**