



US00D393298S

# United States Patent [19]

[11] Patent Number: **Des. 393,298**

**Kuo**

[45] Date of Patent: **\*\*Apr. 7, 1998**

[54] **STRIDING EXERCISER PEDAL**

[76] Inventor: **Johnson Kuo**, 5F., No. 6, Lane 12, Sec. 6, Hsin I Rd., Taipei, Taiwan

[\*\*] Term: **14 Years**

[21] Appl. No.: **67,685**

[22] Filed: **Mar. 12, 1997**

[51] LOC (6) Cl. .... **21-02**

[52] U.S. Cl. .... **D21/191**

[58] Field of Search ..... D21/191, 192, D21/193, 194, 195; 482/51, 52, 53, 57, 66, 70, 71, 72

D. 360,441 7/1995 Beyer ..... D21/191  
 D. 369,389 4/1996 Beyer et al. .... D21/191  
 5,401,226 3/1995 Stearns ..... 482/70  
 5,603,675 2/1997 Wu ..... 482/51  
 5,655,998 8/1997 Yu ..... 482/51

*Primary Examiner*—Philip S. Hyder  
*Attorney, Agent, or Firm*—Varndell Legal Group

### [57] CLAIM

The ornamental design for a striding exerciser pedal, as shown and described.

### DESCRIPTION

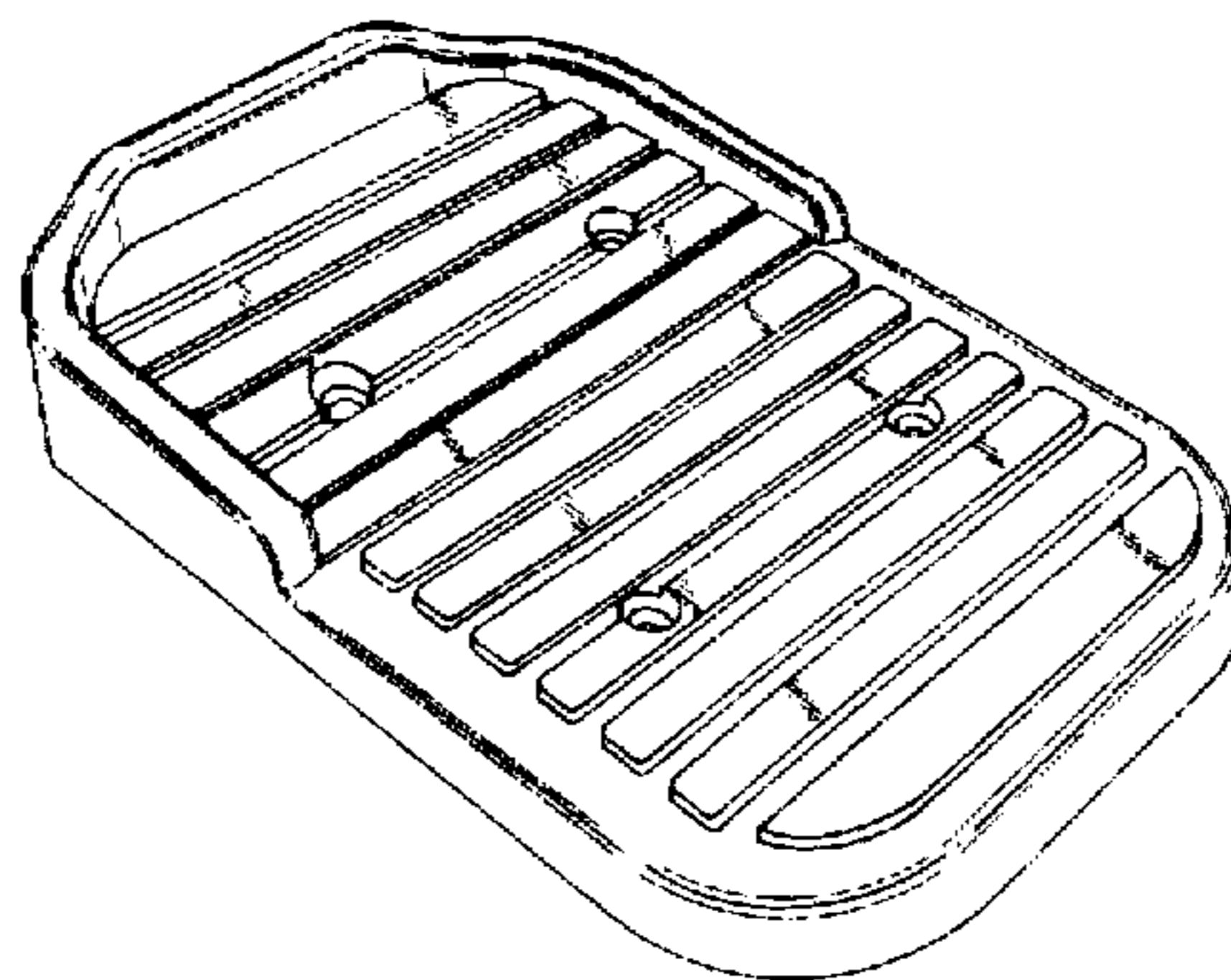
FIG. 1 is a perspective view of a striding exerciser pedal showing my new design;  
 FIG. 2 is a front elevational view thereof;  
 FIG. 3 is a rear elevational view thereof;  
 FIG. 4 is a top plan view thereof;  
 FIG. 5 is a bottom plan view thereof; and,  
 FIG. 6 is a side elevational view thereof, the opposite side being a mirror image of that shown.

**1 Claim, 5 Drawing Sheets**

### [56] References Cited

#### U.S. PATENT DOCUMENTS

D. 330,058 10/1992 Yang ..... D21/195  
 D. 347,668 6/1994 Wang ..... D21/195  
 D. 355,006 1/1995 Lo ..... D21/191  
 D. 358,624 5/1995 Wang et al. .... D21/195  
 D. 358,625 5/1995 Enriquez, Jr. .... D21/191



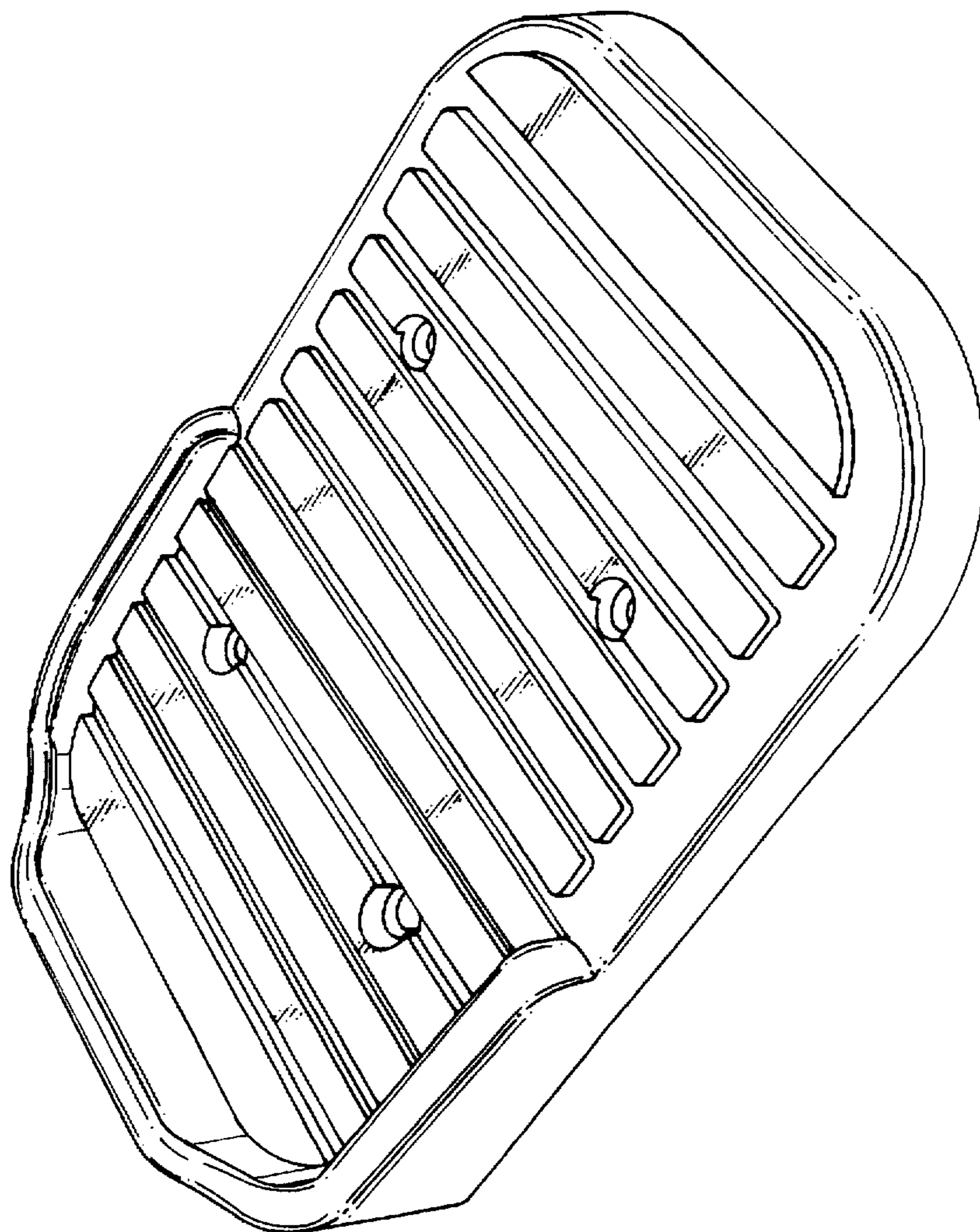


Fig. 1

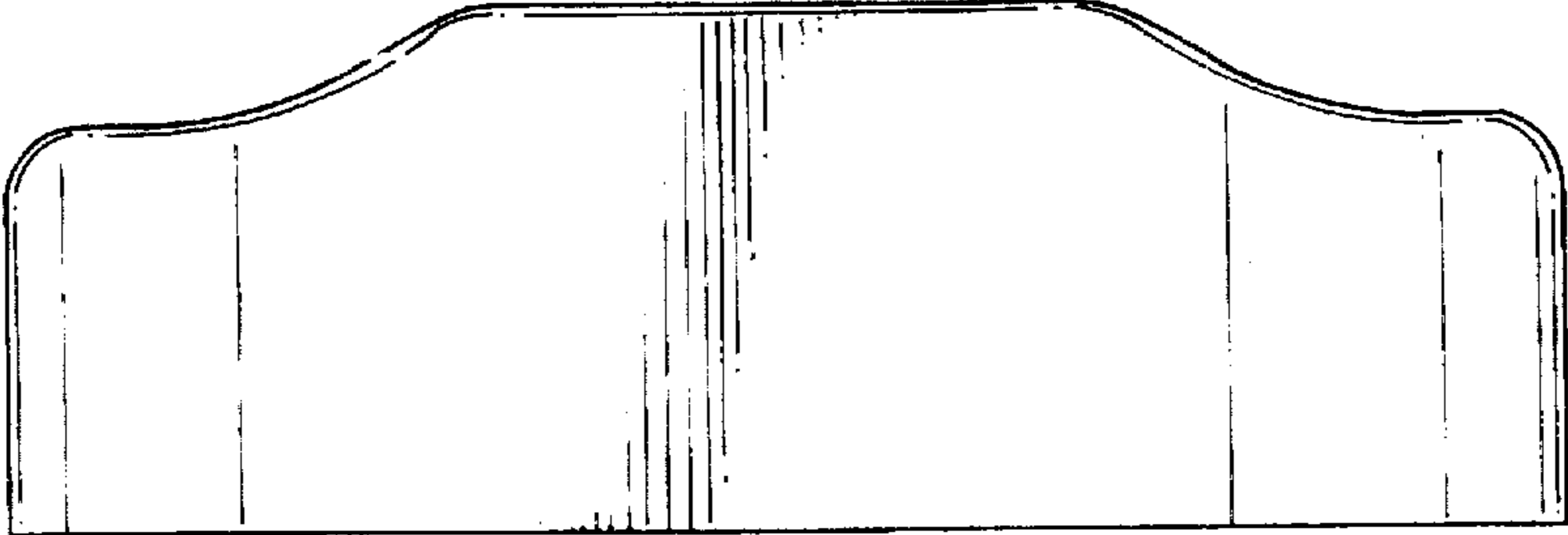


Fig. 3

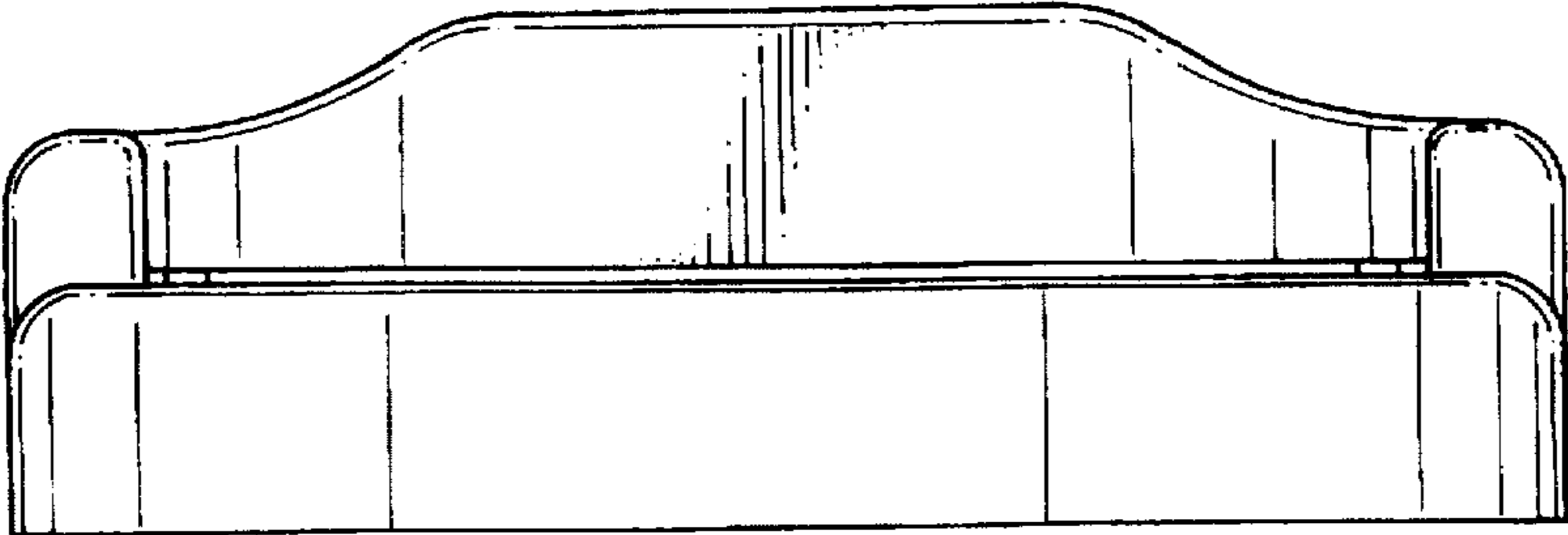


Fig. 2

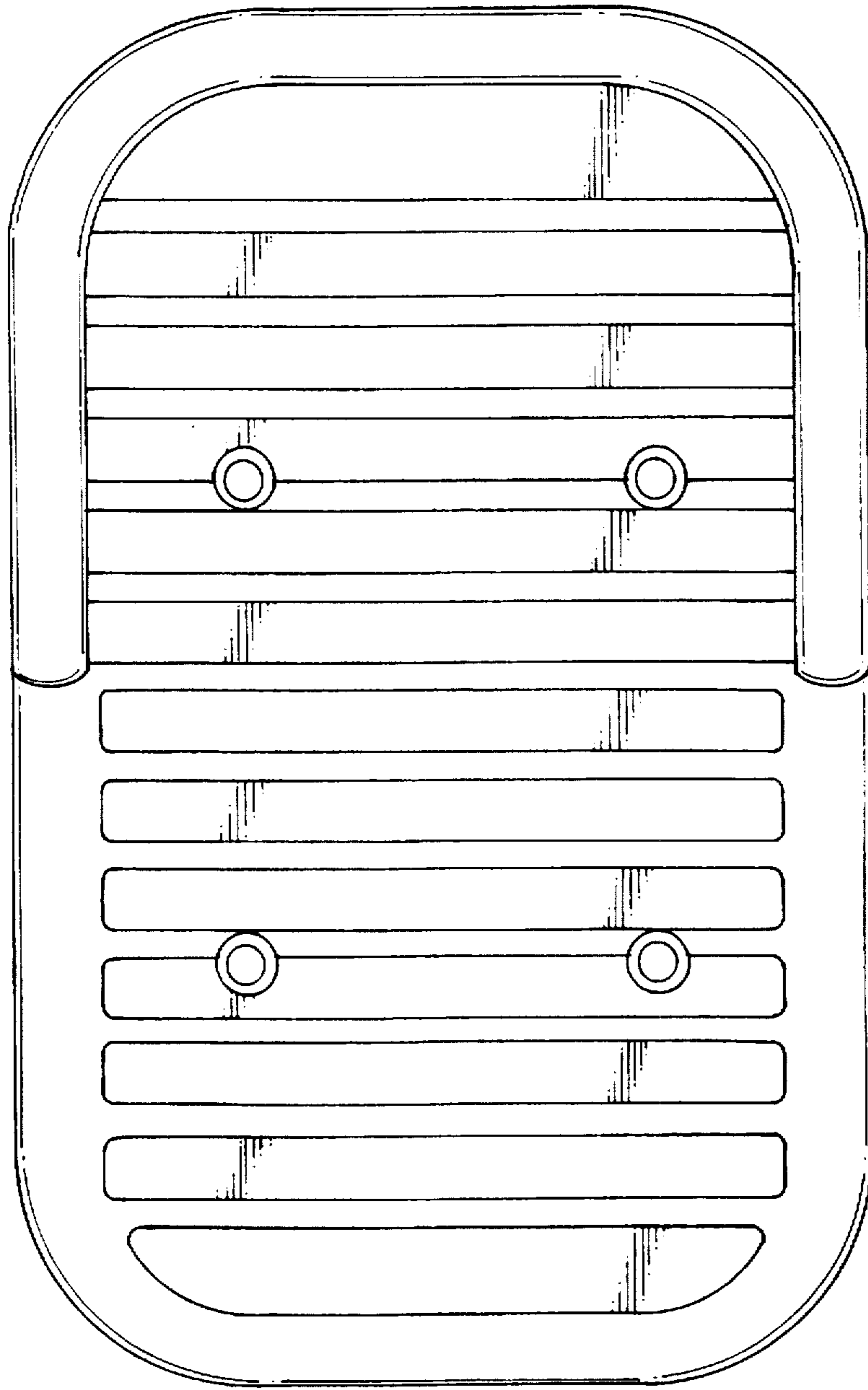


Fig. 4

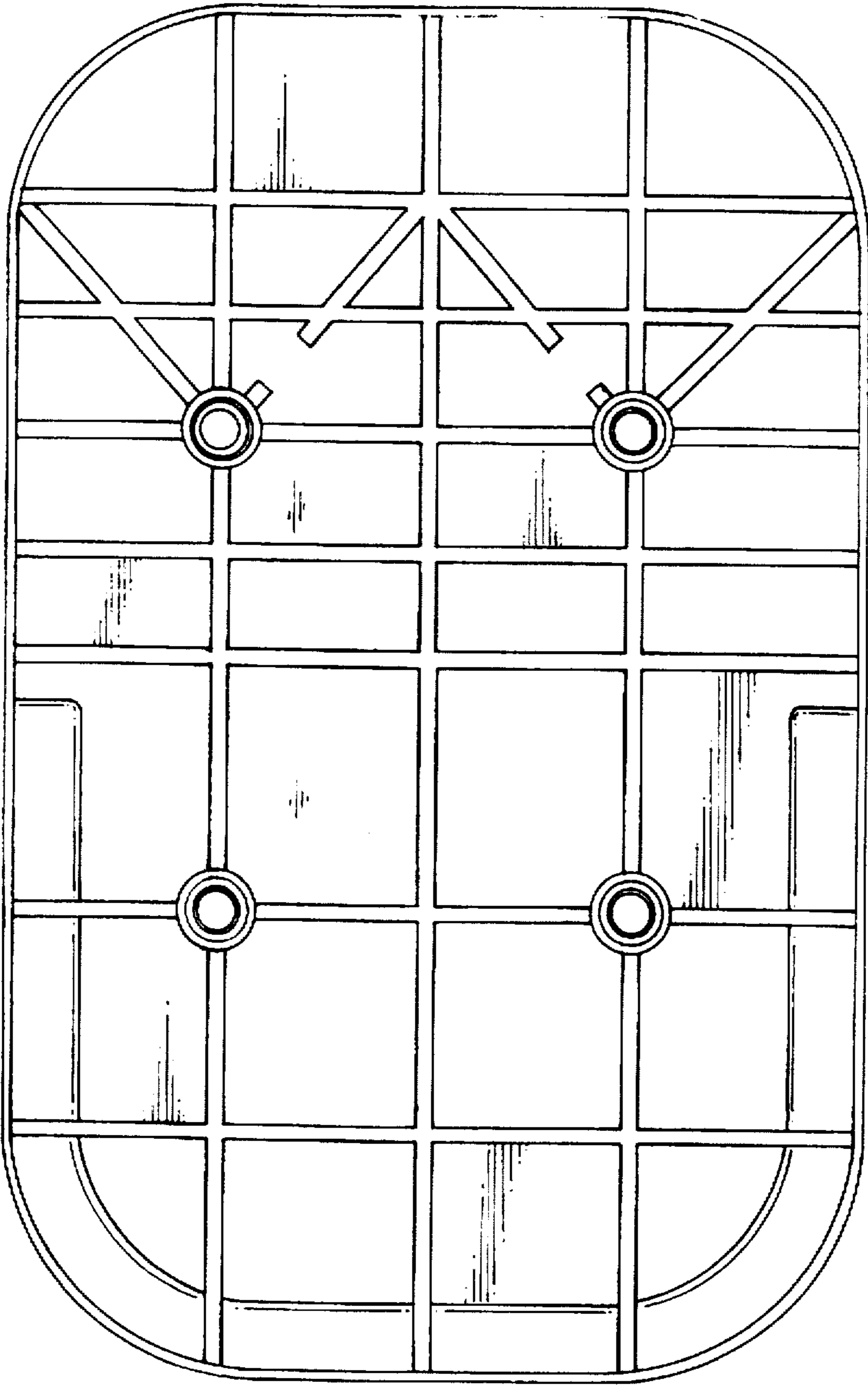


Fig. 5

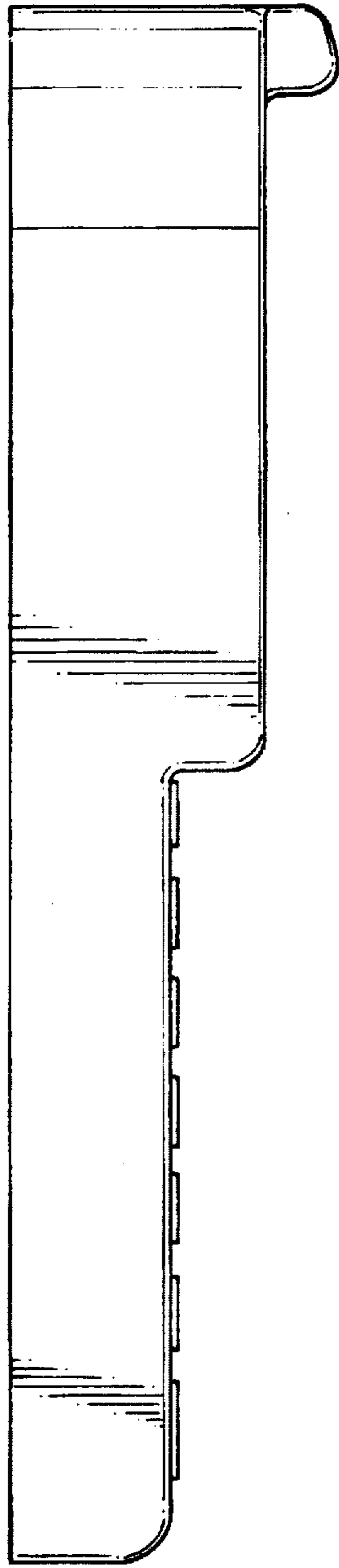


Fig. 6