



US00D393297S

United States Patent [19]

McBride et al.

[11] Patent Number: Des. 393,297

[45] Date of Patent: **Apr. 7, 1998

[54] FOLDABLE TREADMILL

[75] Inventors: **Robert W. McBride; Michael R. Byrd**, both of Springfield, Mo.; **David Chen**, Taichung, Taiwan

[73] Assignee: **Stamina Products Inc.**, Springfield, Mo.

[**] Term: **14 Years**

[21] Appl. No.: **67,293**

[22] Filed: **Jan. 30, 1997**

[51] LOC (6) Cl. **21-02**

[52] U.S. Cl. **D21/192**

[58] Field of Search D21/191, 192, D21/193, 194, 195; 482/51, 54, 58, 111

[56] **References Cited**

U.S. PATENT DOCUMENTS

- D. 273,029 3/1984 Kullenberg D21/192
- D. 303,557 9/1989 Kiiski D21/192
- D. 342,107 12/1993 Chang D21/192
- D. 355,227 2/1995 Summers et al. D21/192

- D. 369,843 5/1996 Wang et al. D21/192
- D. 372,508 8/1996 Clem D21/192

Primary Examiner—Philip S. Hyder
Attorney, Agent, or Firm—Cushman Darby & Cushman IP Group of Pillsbury Madison & Sutro LLP

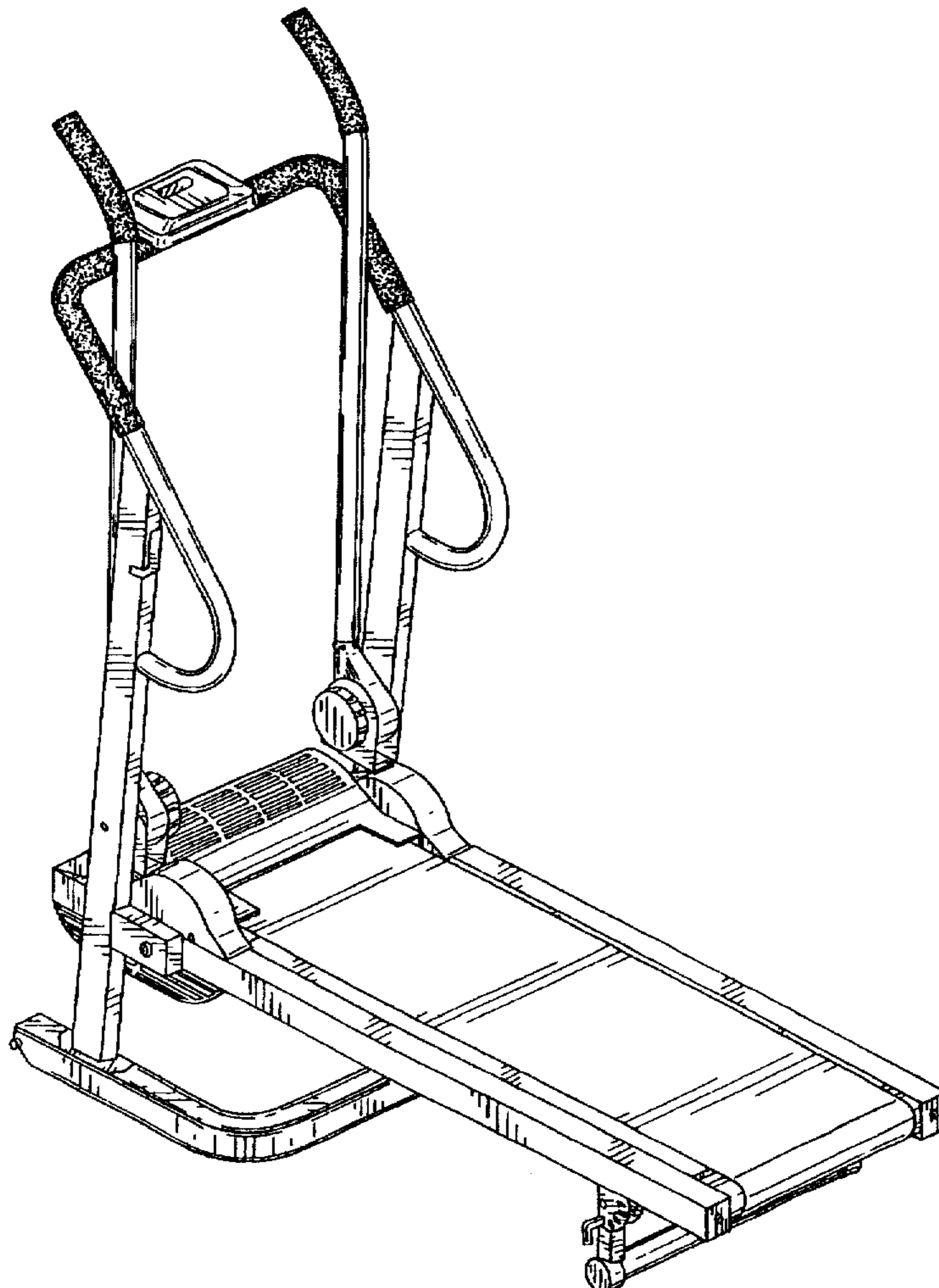
[57] **CLAIM**

The ornamental design for a foldable treadmill, as shown and described.

DESCRIPTION

FIG. 1 is a perspective view of a foldable treadmill embodying our new design, the perspective being viewed from the left and above with the treadmill in operating position; FIG. 2 is a left side view thereof; FIG. 3 is a right side view thereof; FIG. 4 is a front elevational view thereof; FIG. 5 is a rear elevational view thereof; FIG. 6 is a top plan view thereof; FIG. 7 is a bottom plan view thereof; and, FIG. 8 is a perspective view similar to FIG. 1, showing the foldable treadmill in a folded position.

1 Claim, 8 Drawing Sheets



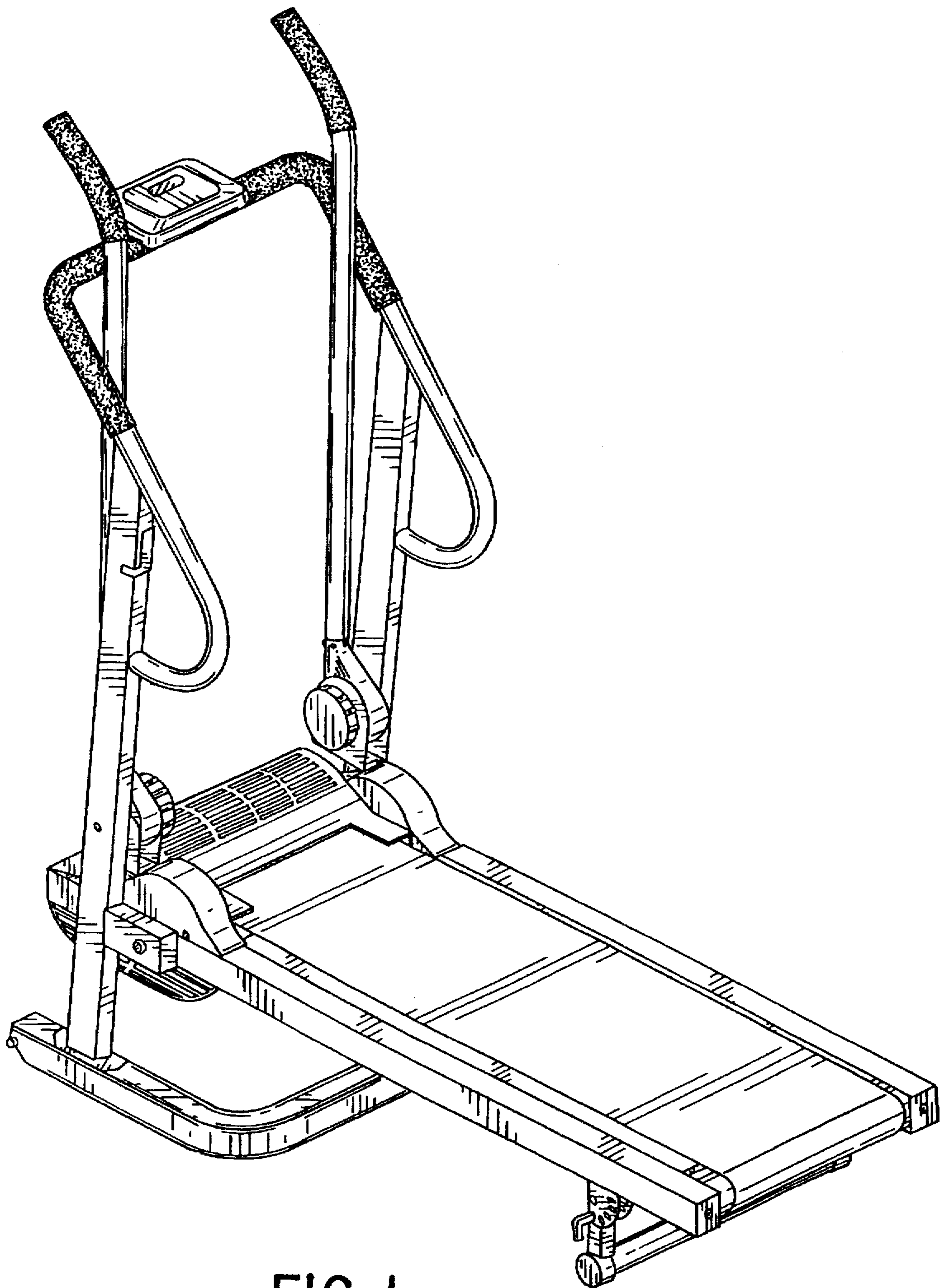
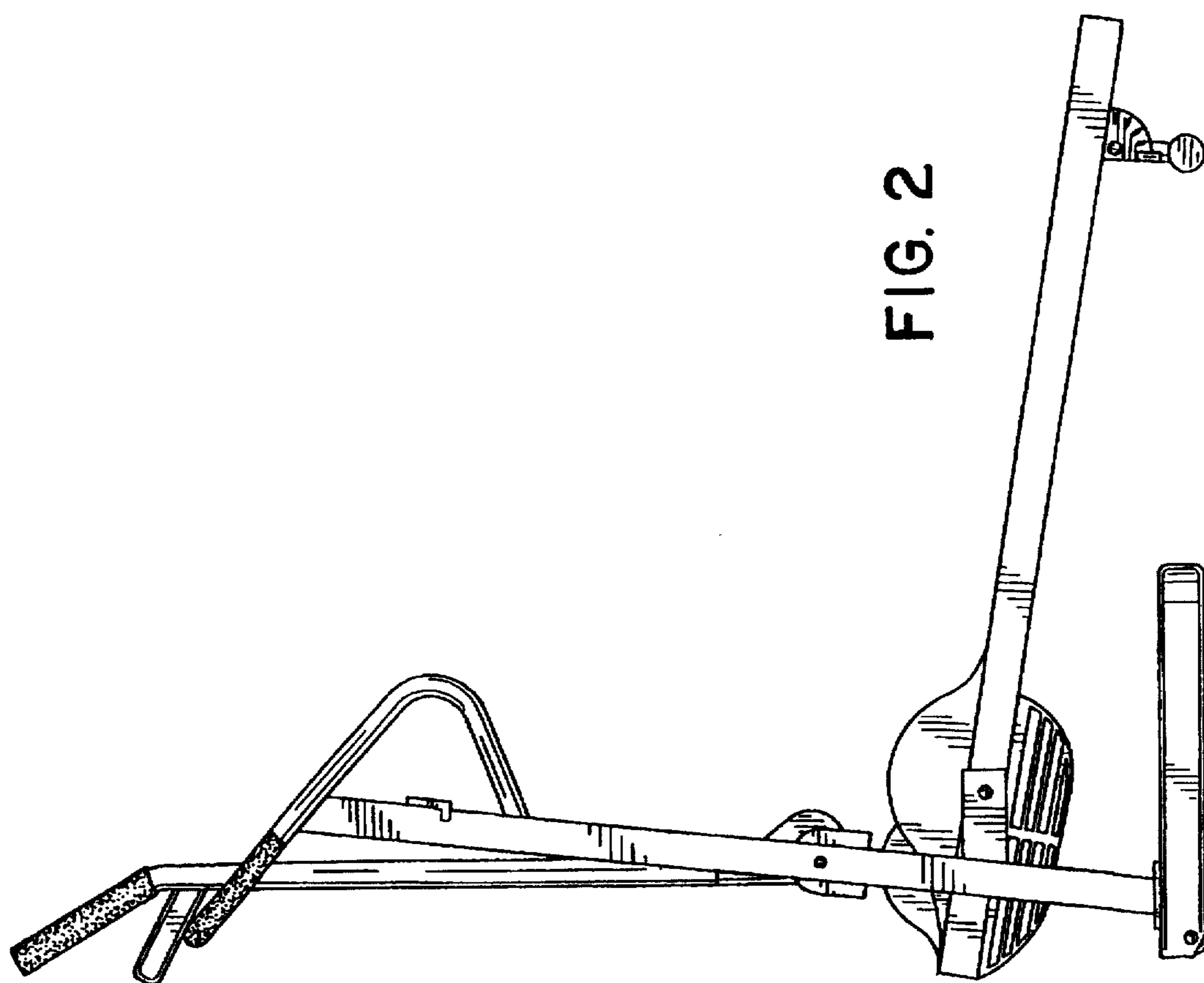


FIG. 1



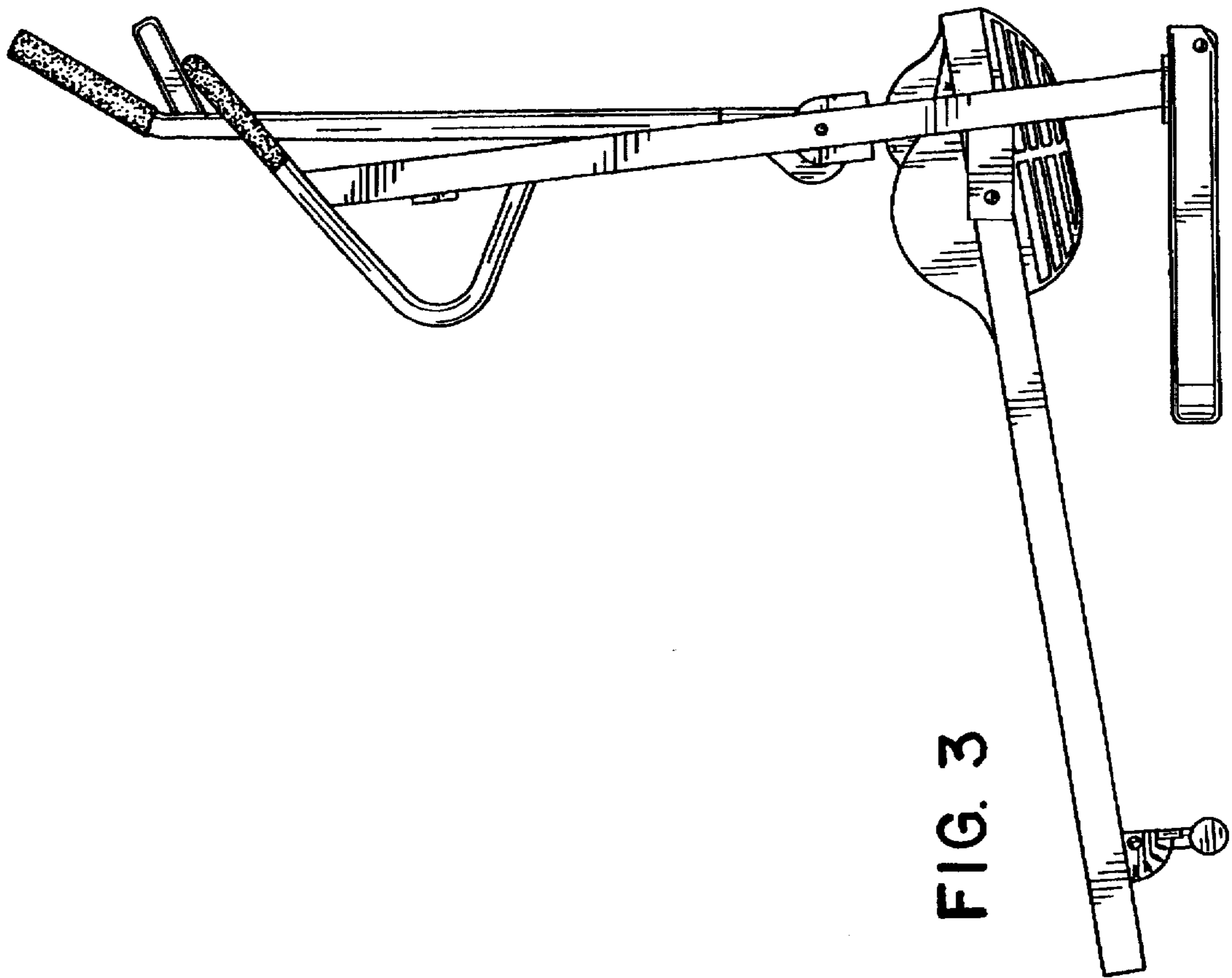


FIG. 3

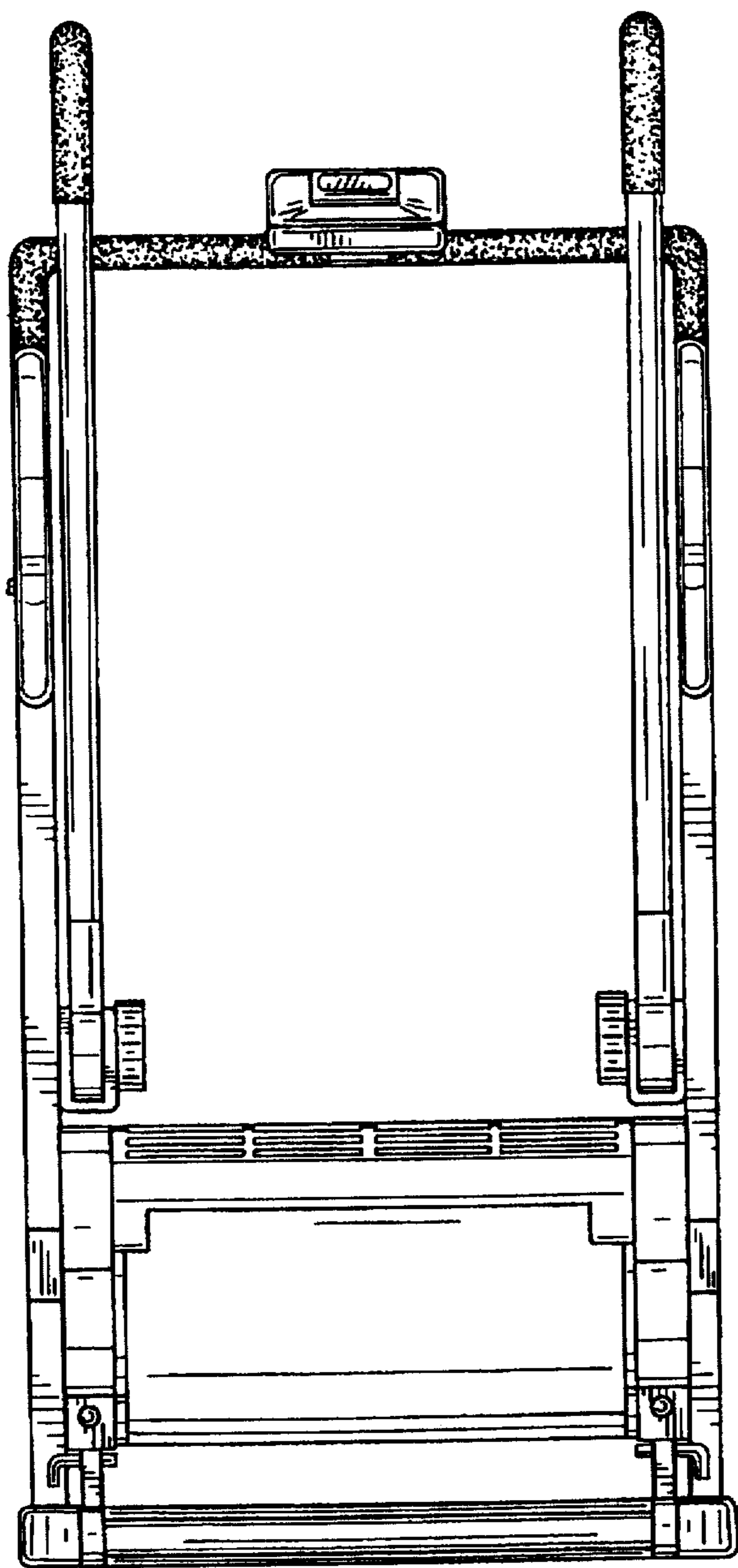


FIG. 4

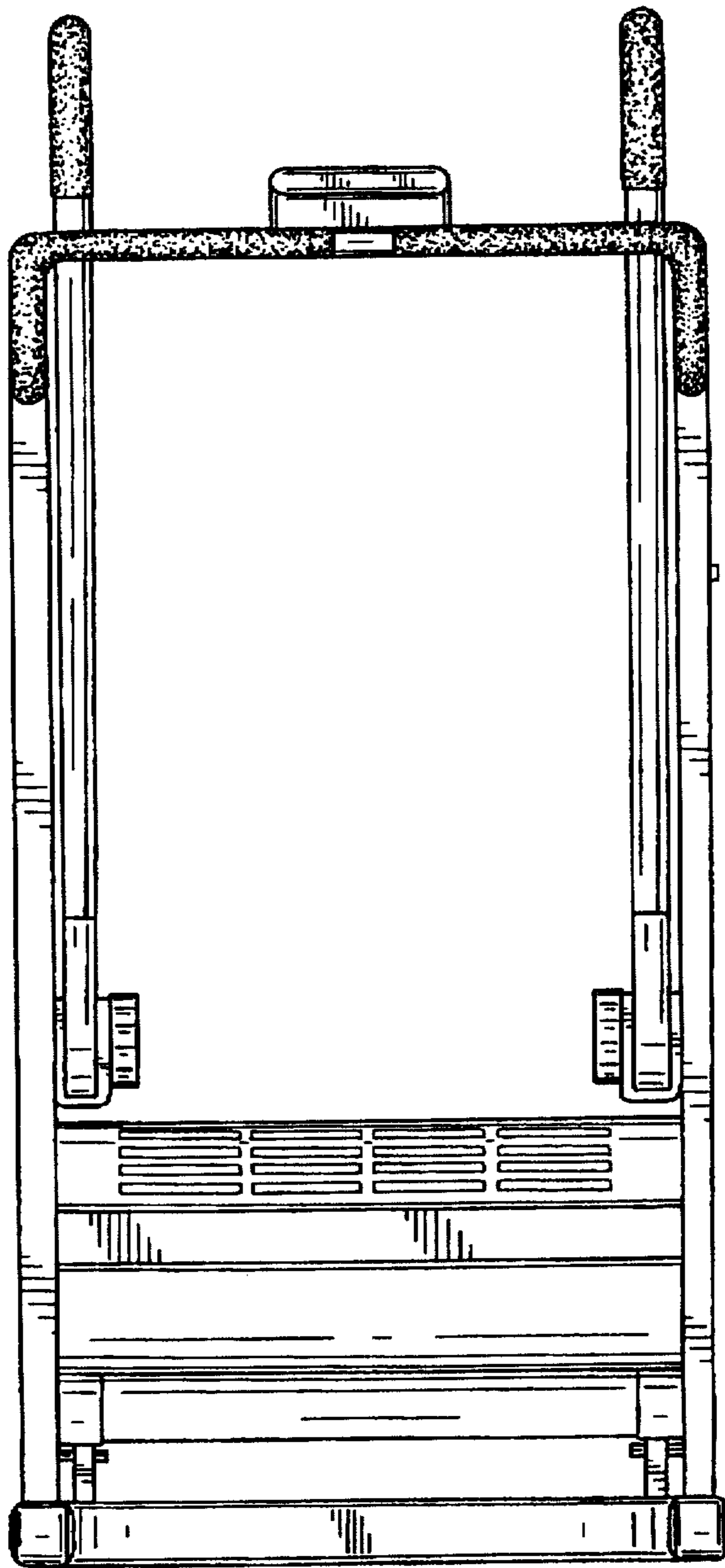


FIG. 5

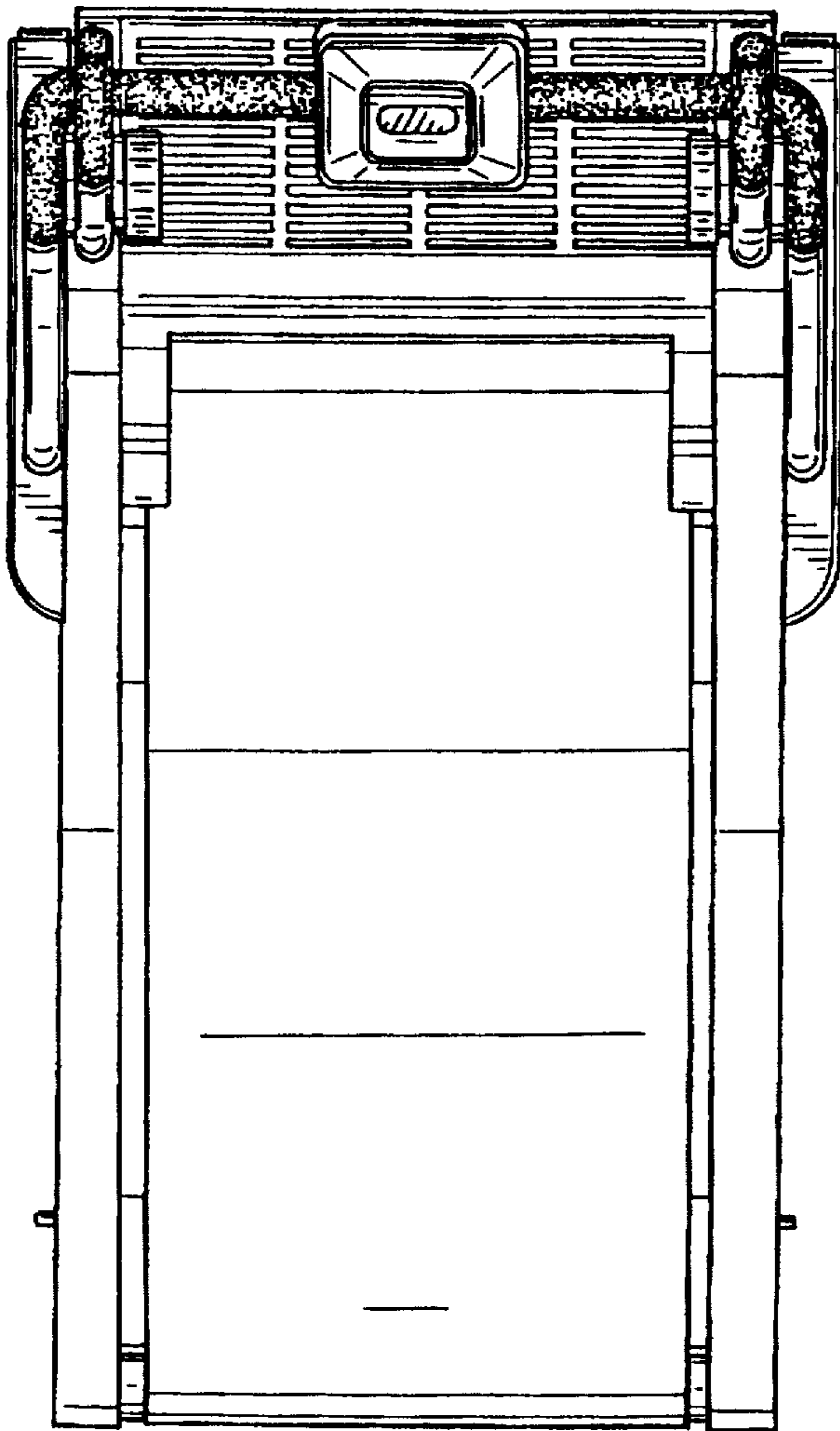


FIG. 6

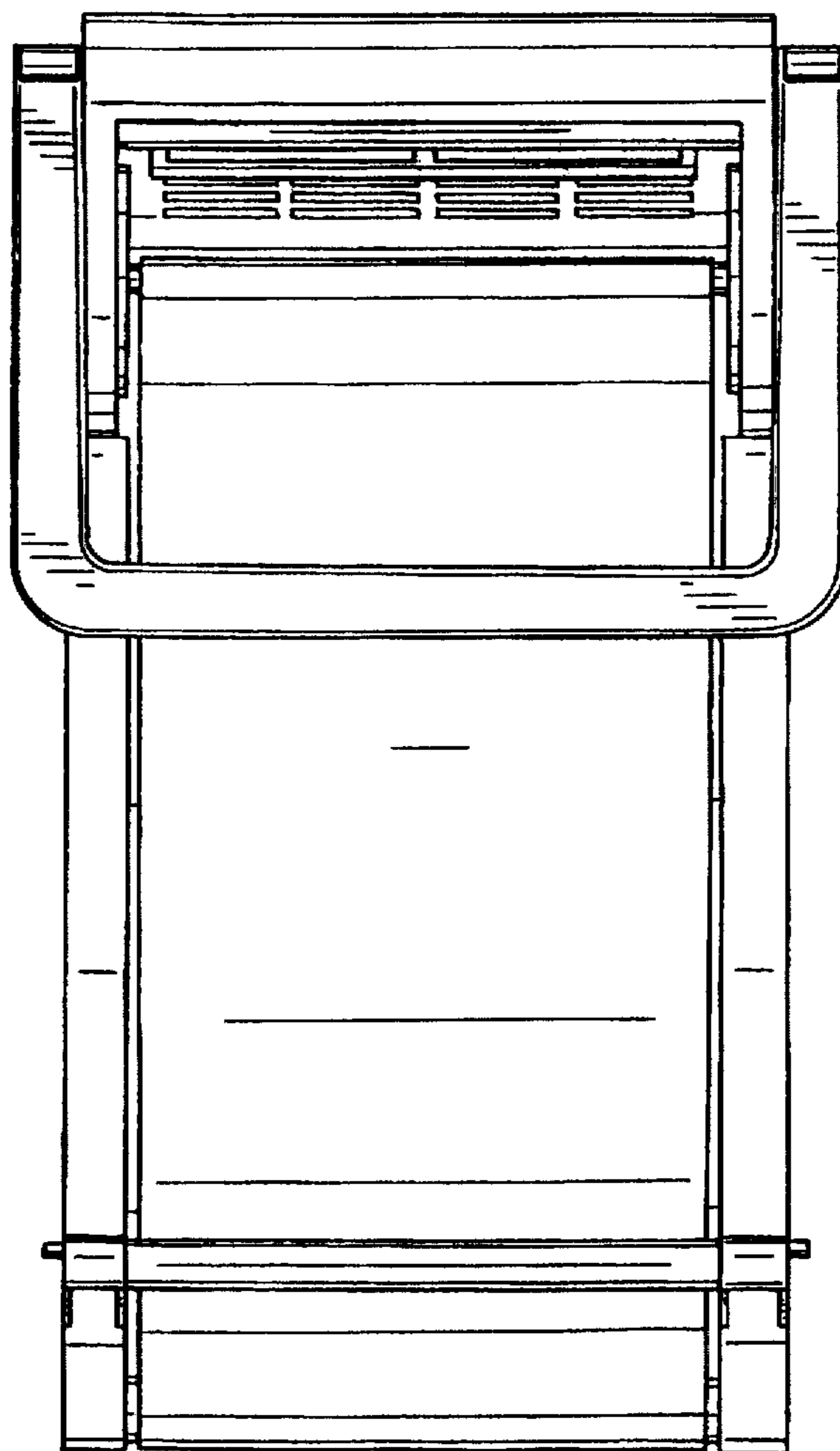


FIG. 7

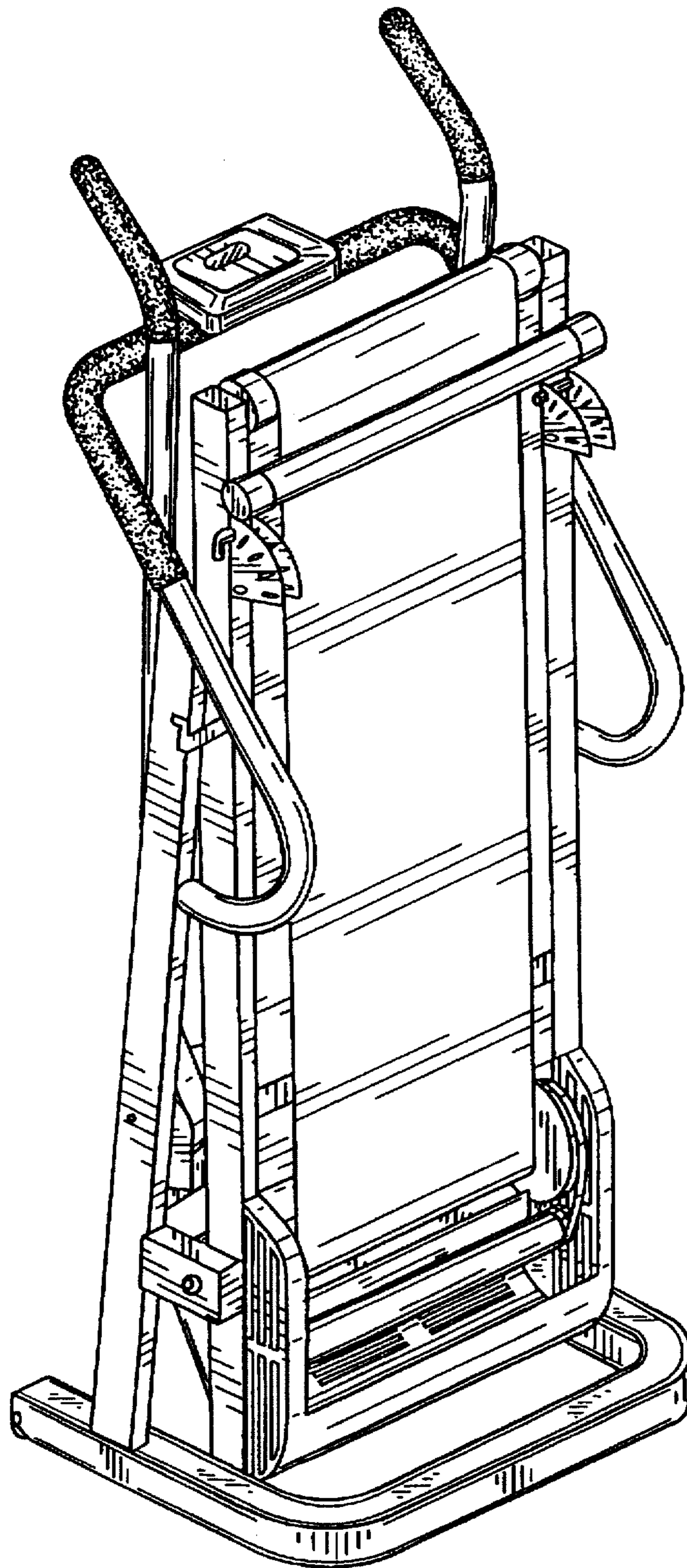


FIG. 8