



US00D393296S

United States Patent [19]
Lee

[11] **Patent Number:** **Des. 393,296**
[45] **Date of Patent:** ****Apr. 7, 1998**

[54] **STRIDING EXERCISER**
[76] **Inventor:** **Michael Lee**, 7F, No. 164, Nan King East Road, Section 4, Taipei, Taiwan
[**] **Term:** **14 Years**
[21] **Appl. No.:** **67,116**
[22] **Filed:** **Feb. 28, 1997**
[51] **LOC (6) Cl.** **21-02**
[52] **U.S. Cl.** **D21/191**
[58] **Field of Search** **D21/191, 192, 193, 194, 195; 482/51, 52, 53, 54, 71, 70, 78, 148**

5,603,675 2/1997 Wu 482/52
5,605,521 2/1997 Hsieh 482/52
5,643,140 7/1997 Tsai 482/52
5,643,141 7/1997 Lee 482/52

Primary Examiner—Philip S. Hyder
Attorney, Agent, or Firm—David E. Dougherty

[57] **CLAIM**

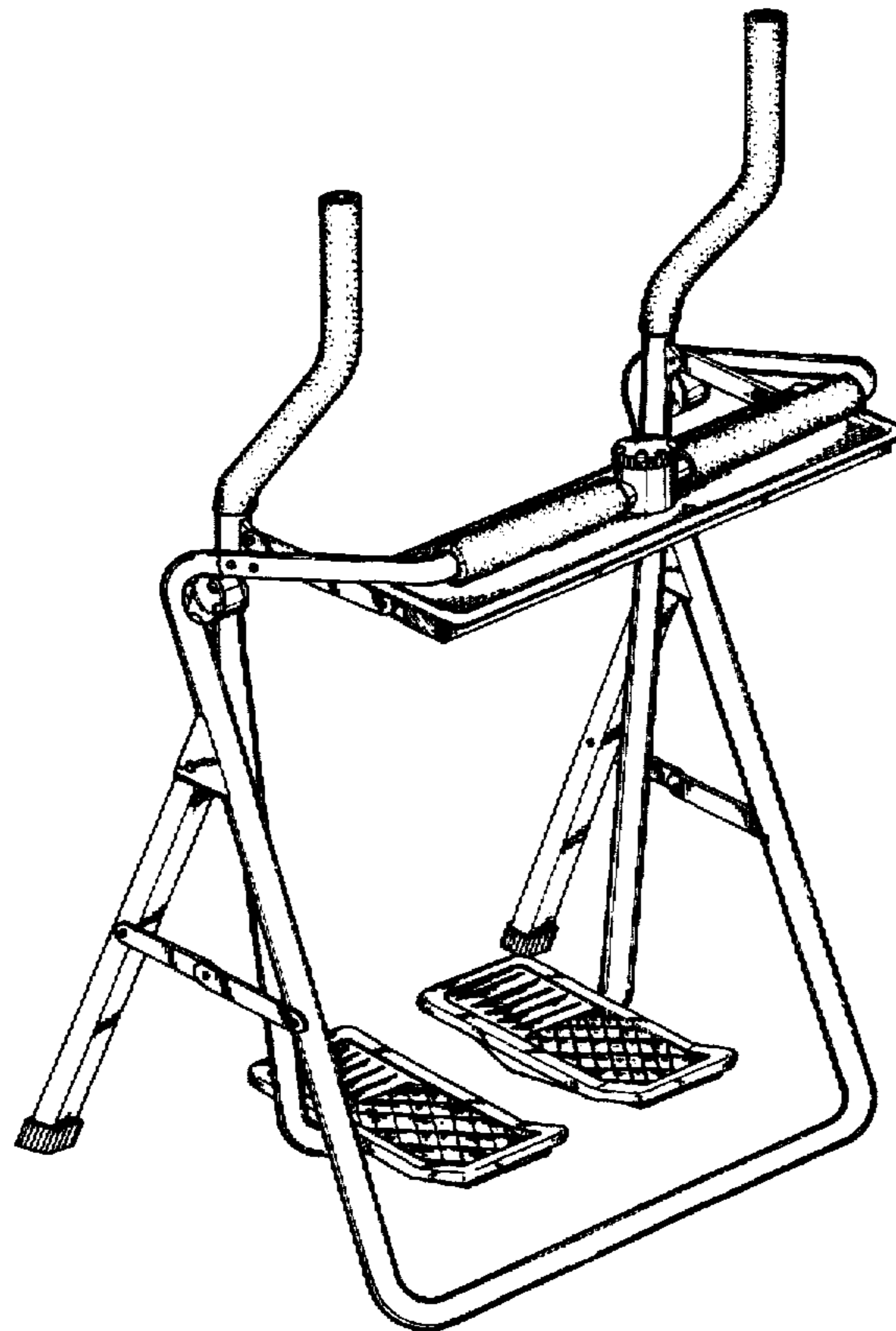
The ornamental design for an striding exerciser, as shown and described.

DESCRIPTION

FIG. 1 is a perspective view of an striding exerciser showing my new design;
FIG. 2 is a front elevational view thereof;
FIG. 3 is a rear elevational view thereof;
FIG. 4 is a side elevational view thereof;
FIG. 5 is an elevational view of the side opposite to FIG. 4;
FIG. 6 is a top plan view thereof; and,
FIG. 7 is bottom plan view thereof.

[56] **References Cited**
U.S. PATENT DOCUMENTS
D. 378,841 4/1997 Huang D21/191
5,496,235 3/1996 Stevens 482/52
5,584,780 12/1996 Lin 482/52
5,584,781 12/1996 Chen 482/52

1 Claim, 7 Drawing Sheets



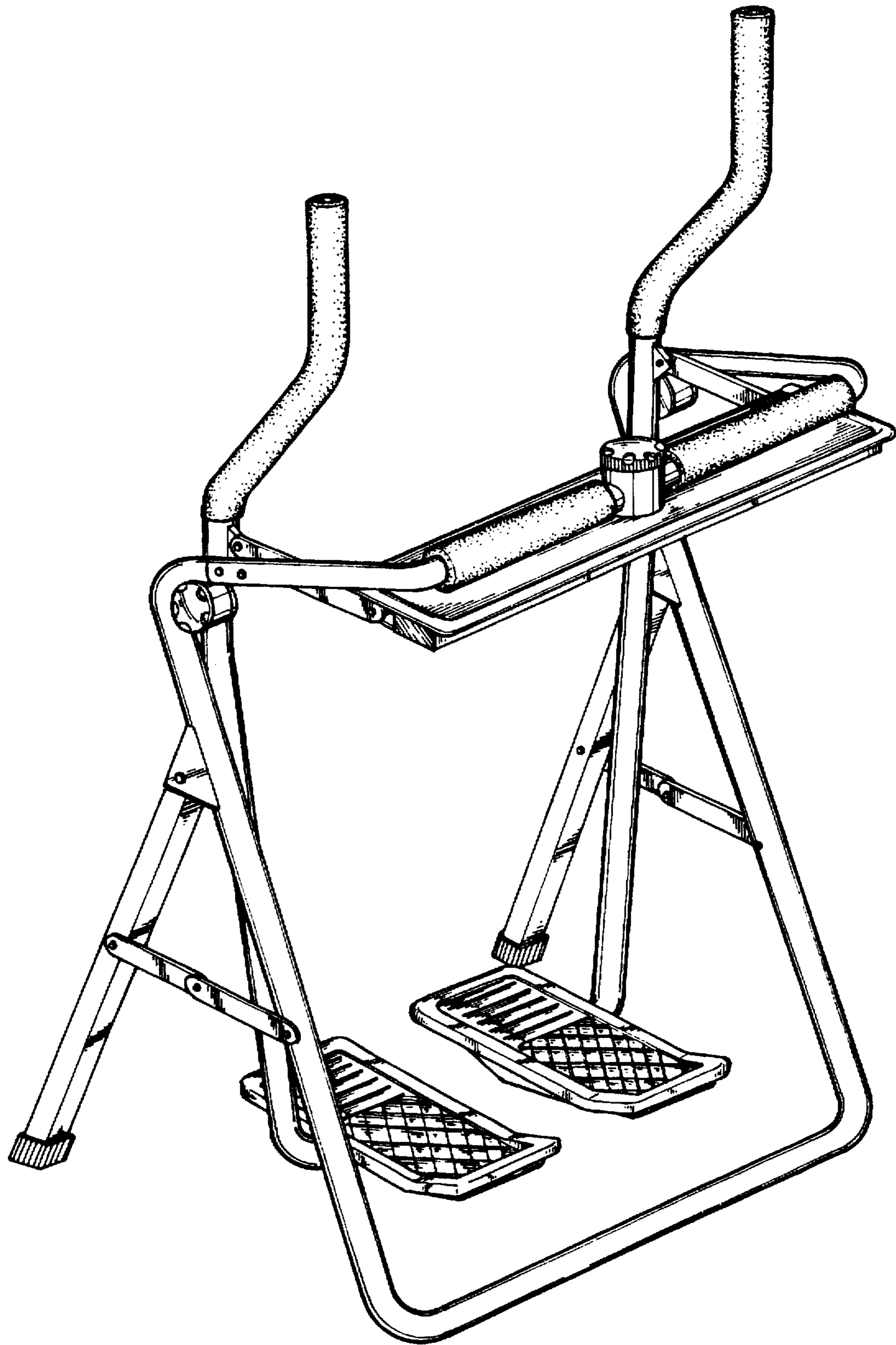


FIG 1

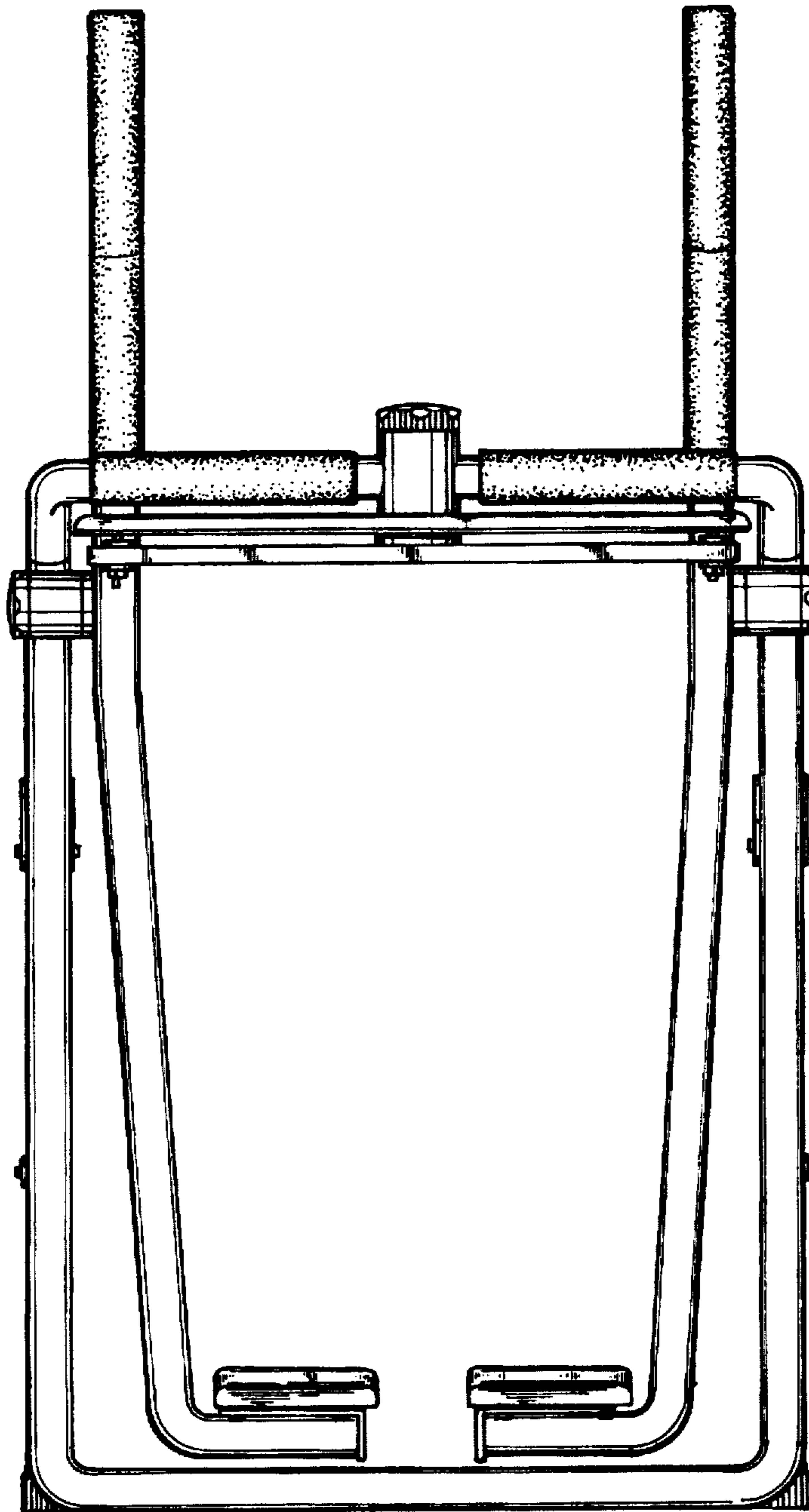


FIG 2

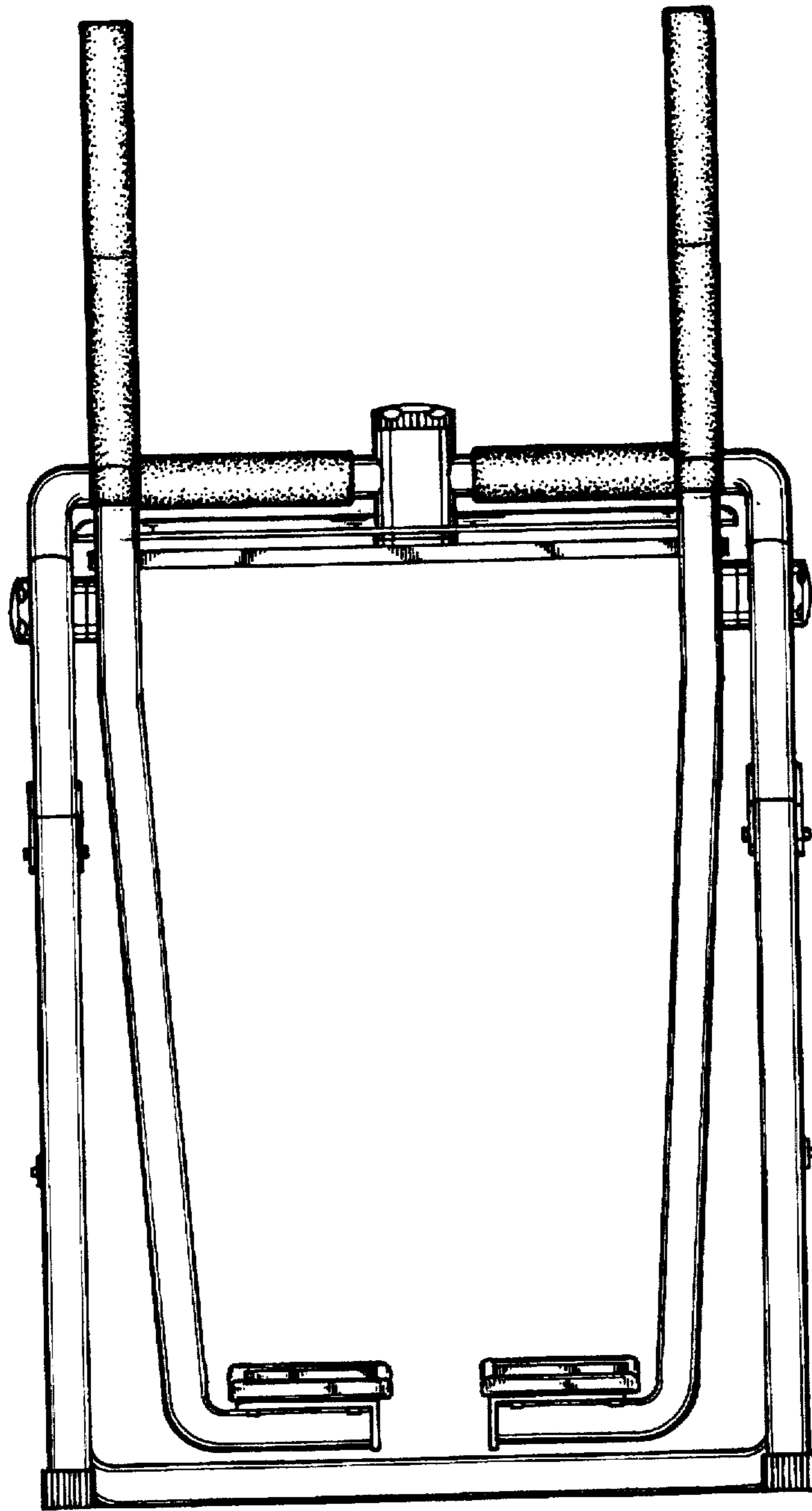


FIG 3

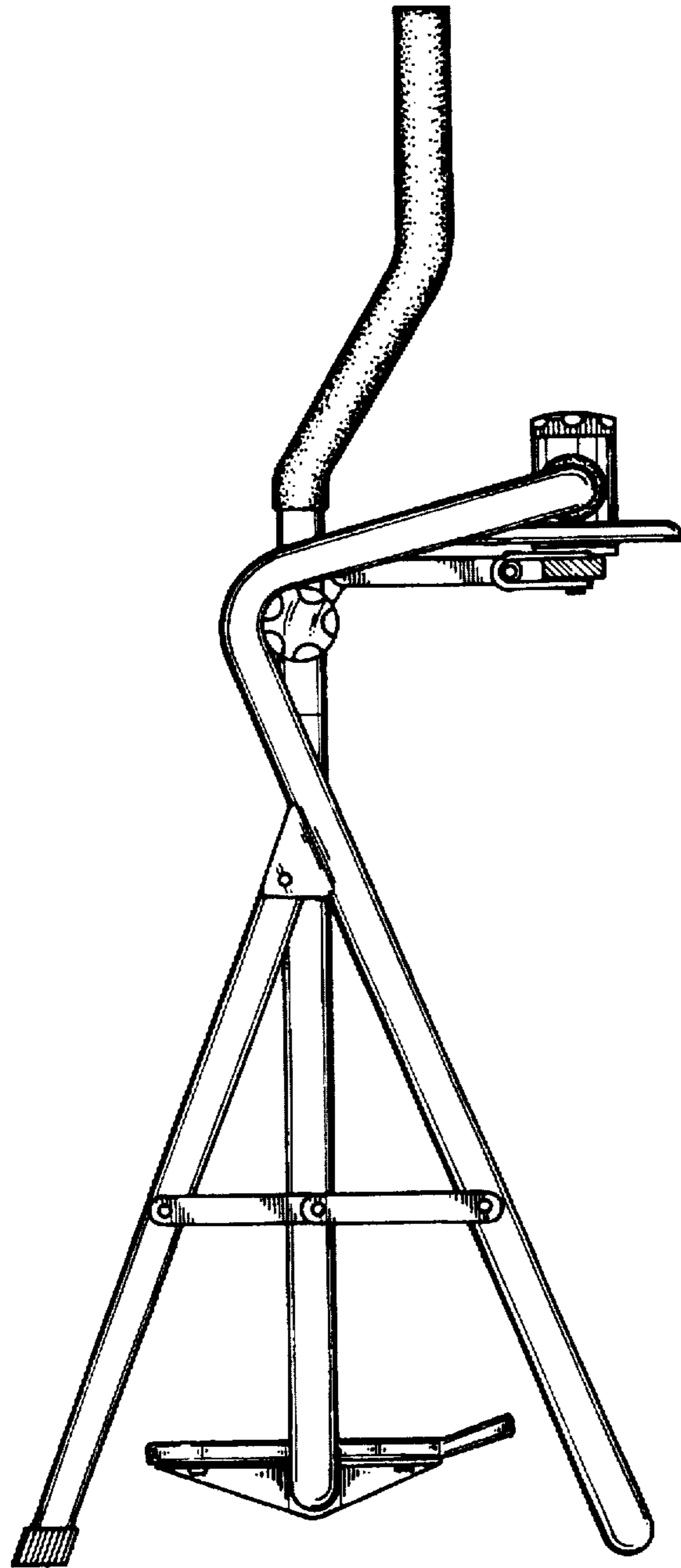


FIG 4

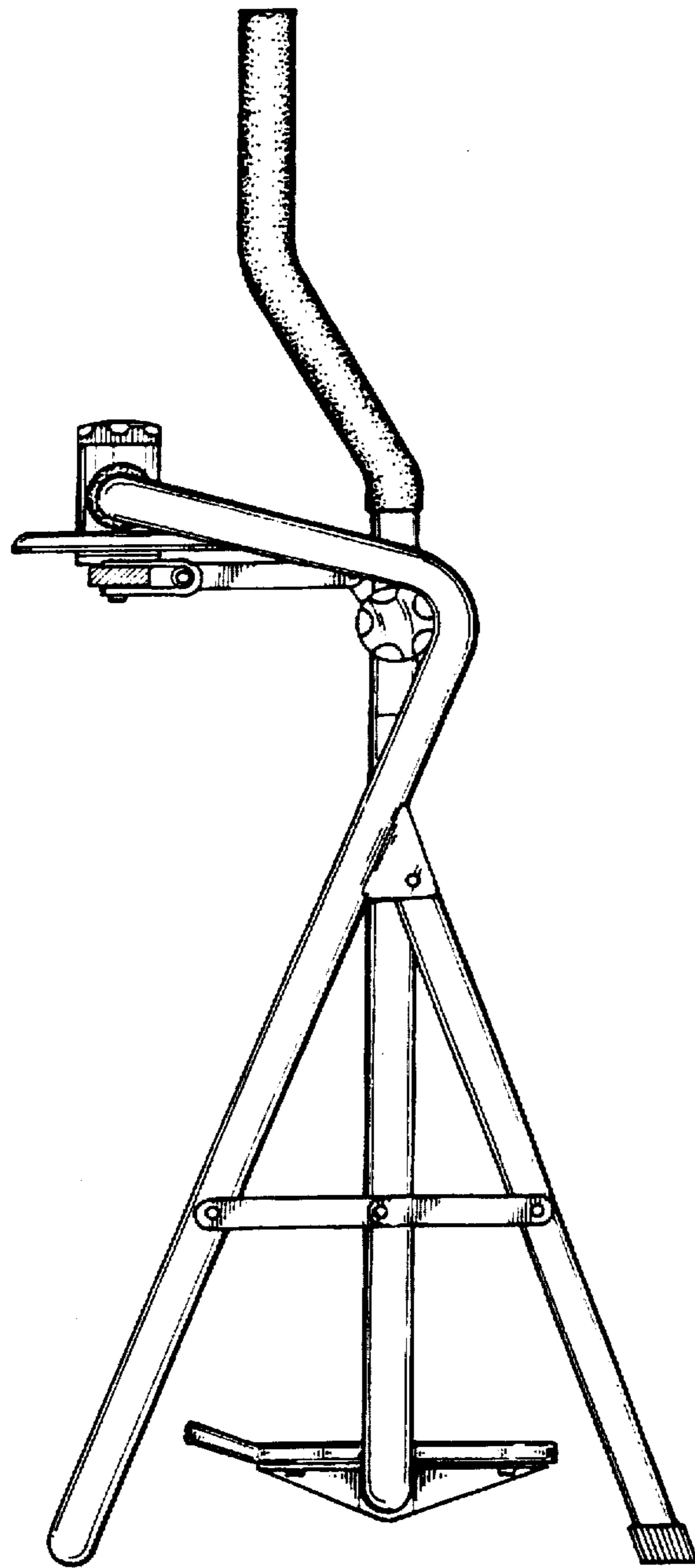


FIG 5

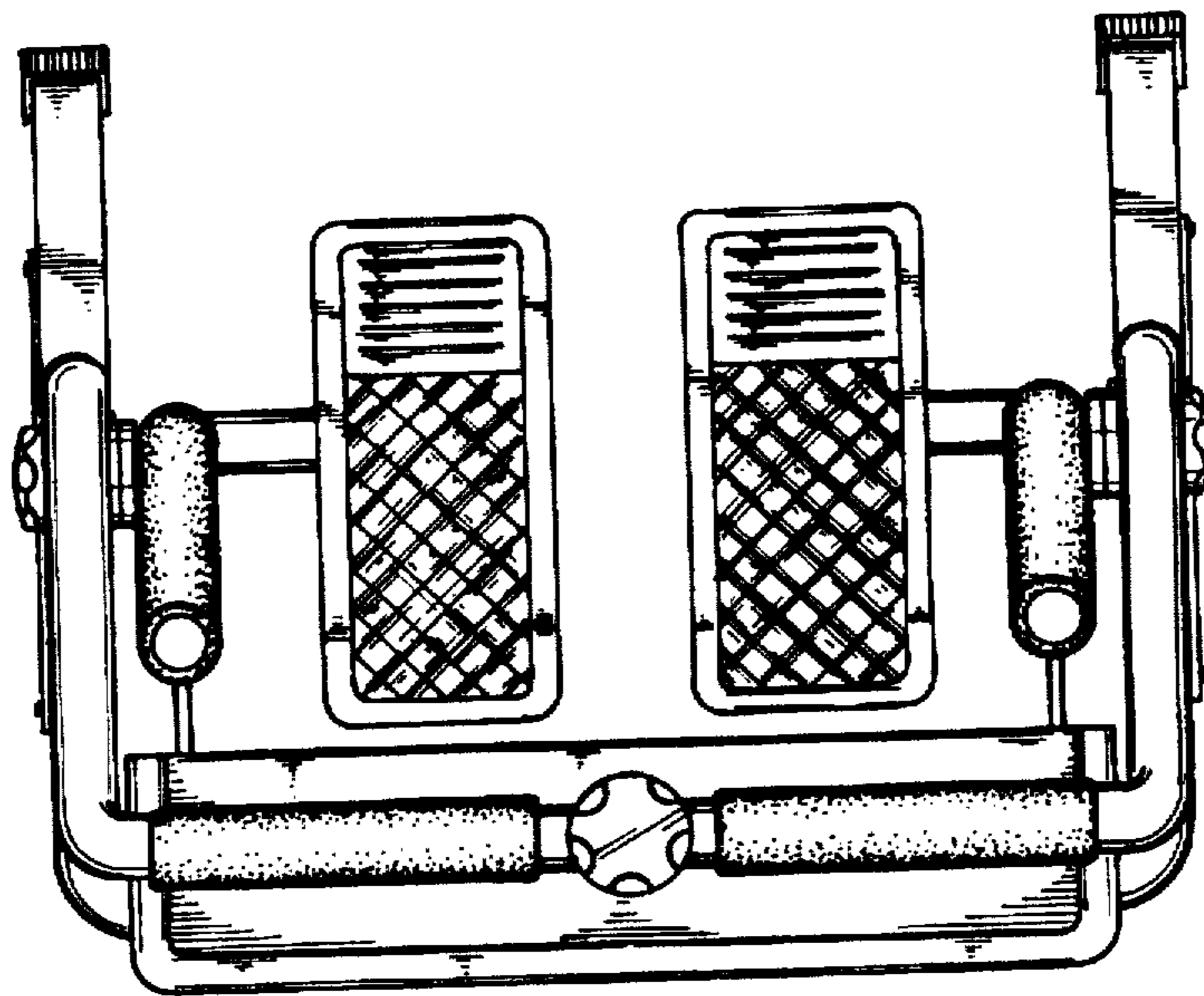


FIG 6

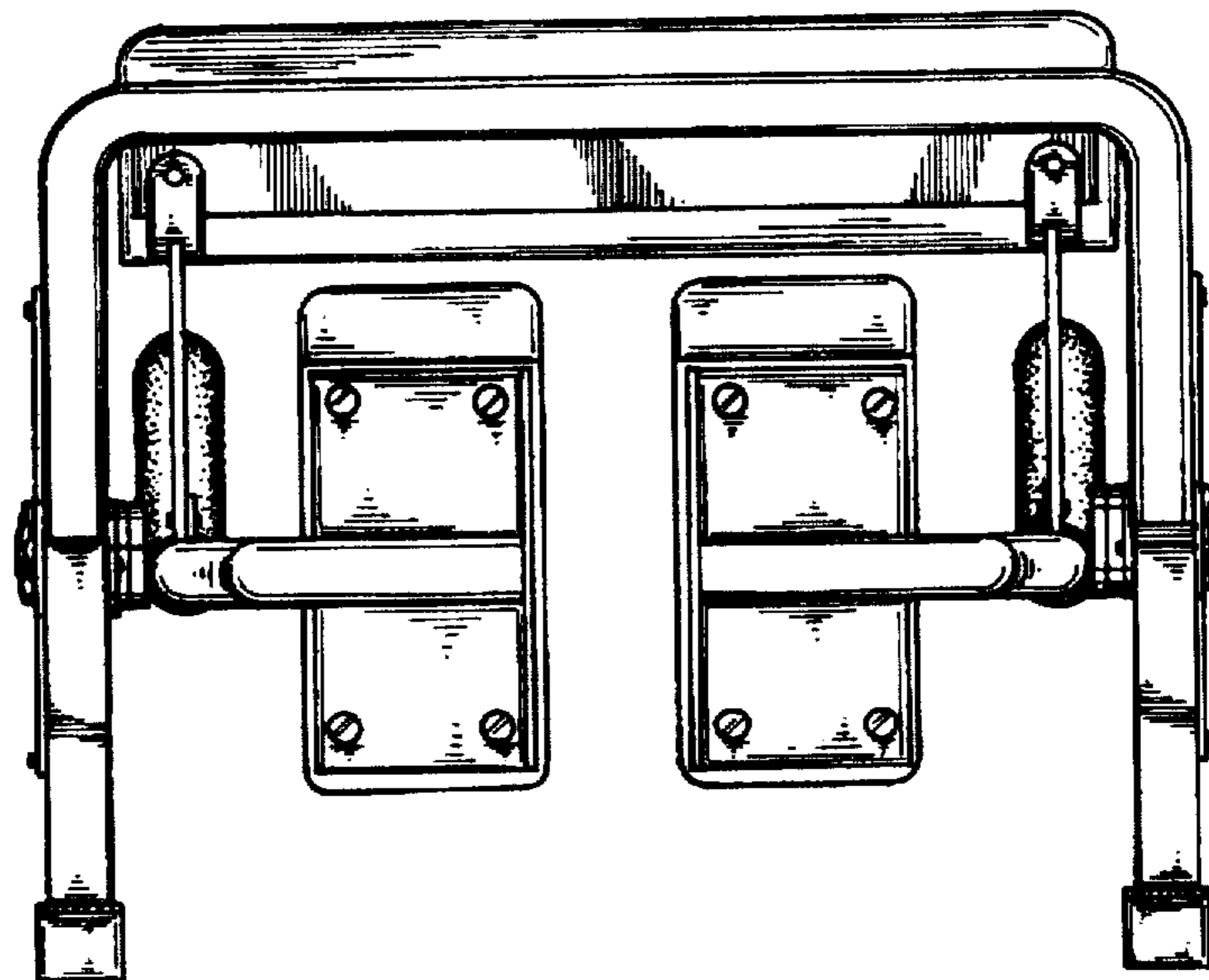


FIG 7