



US00D393291S

United States Patent [19] Kung

[11] Patent Number: **Des. 393,291**
[45] Date of Patent: ****Apr. 7, 1998**

[54] **ELECTRONIC CONTROLLER**

[75] Inventor: **Ching-hu Kung**, Taipei, Taiwan

[73] Assignee: **Tigerex Enterprise Co., Ltd.**, Taipei, Taiwan

[**] Term: **14 Years**

[21] Appl. No.: **74,262**

[22] Filed: **Jul. 15, 1997**

[51] LOC (6) Cl. **21-01**

[52] U.S. Cl. **D21/48**

[58] Field of Search D21/1, 13, 48;
273/148 B; 463/1, 30-42, 46, 47; D14/114,
124, 217

[56] **References Cited**

U.S. PATENT DOCUMENTS

D. 345,994	4/1994	Shian	D21/48
D. 363,320	10/1995	Barthelemy et al.	D21/48
D. 375,326	11/1996	Yokoi et al.	D21/48
D. 376,826	12/1996	Ashida	D21/48
D. 377,198	1/1997	Oikawa et al.	D21/48

D. 380,783	7/1997	Tyler	D21/48
4,870,389	9/1989	Ishiwata et al.	273/148 B X
5,184,830	2/1993	Okada et al.	463/46
5,207,426	5/1993	Inoue et al.	273/148 B

OTHER PUBLICATIONS

Nintendo 64/64 bit, Jun. 1996.

Primary Examiner—Prabhakah G. Deshmukh
Attorney, Agent, or Firm—Bacon & Thomas

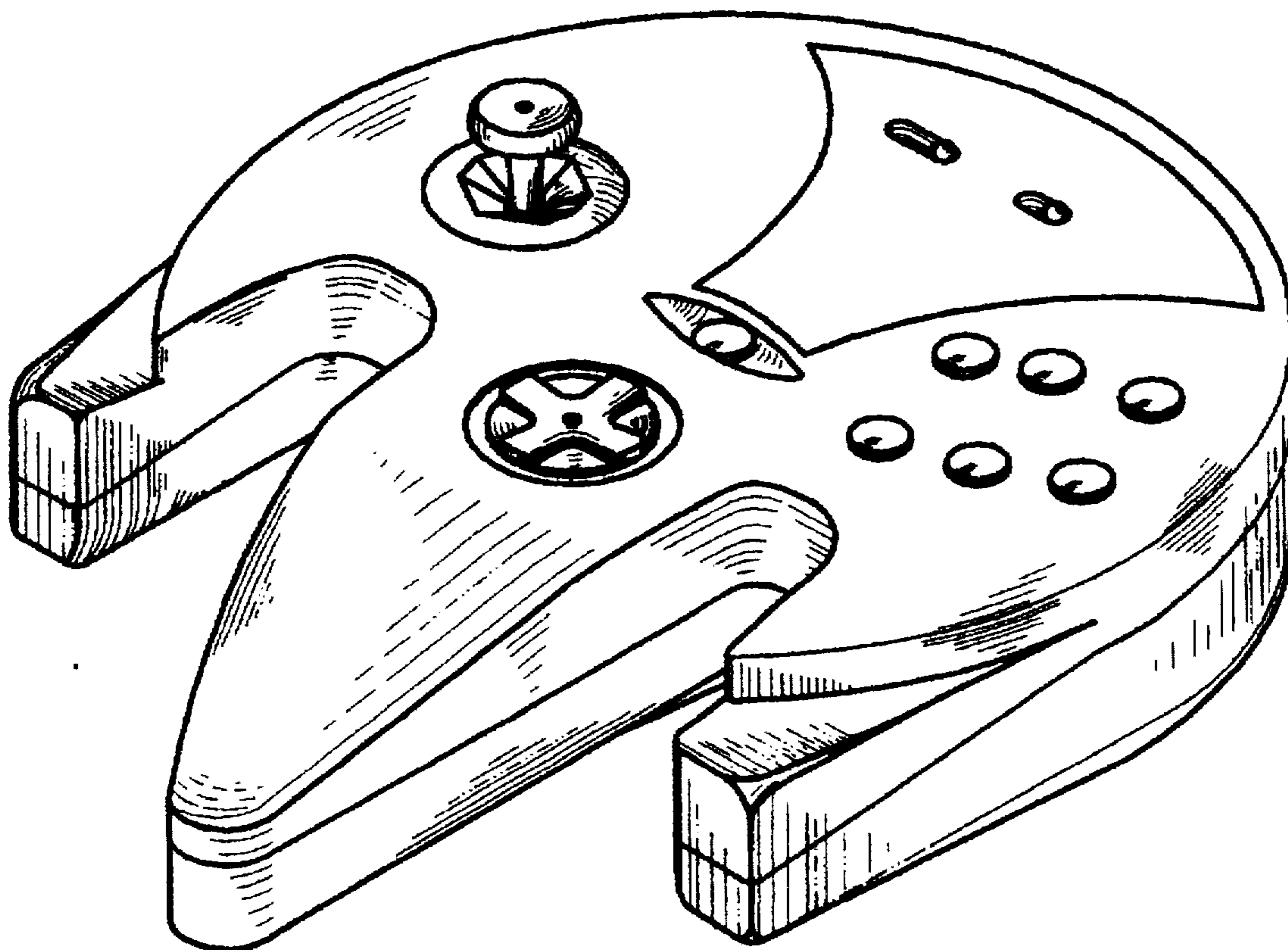
[57] **CLAIM**

The ornamental design for electronic controller, as shown and described.

DESCRIPTION

FIG. 1 is a front elevational view of a electronic controller showing my design;
FIG. 2 is a rear elevational view thereof;
FIG. 3 is a left side elevational view thereof;
FIG. 4 is a right side elevational view thereof;
FIG. 5 is a top plan view thereof;
FIG. 6 is a bottom plan view thereof; and
FIG. 7 is a perspective view thereof.

1 Claim, 4 Drawing Sheets



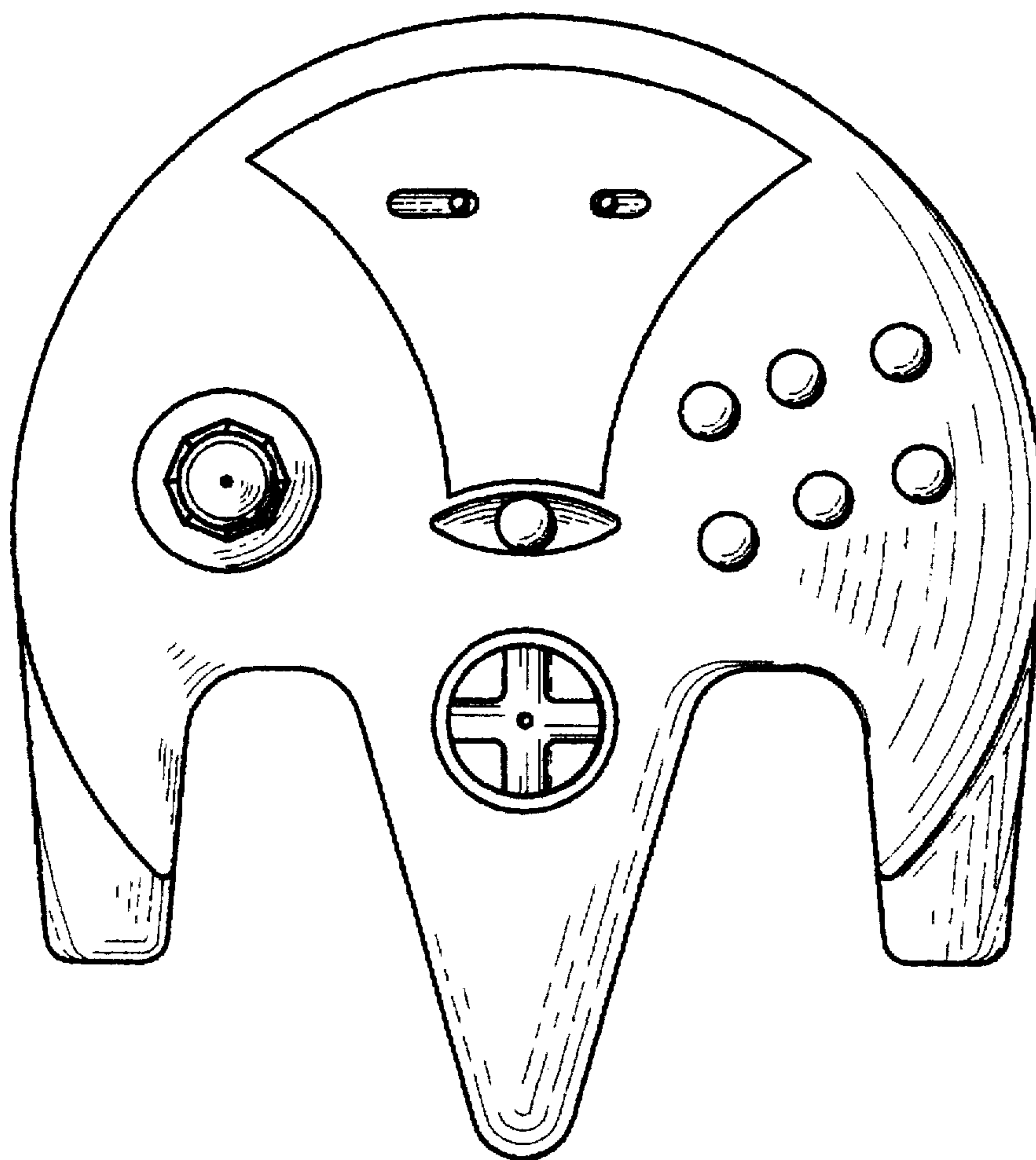


FIG. 1

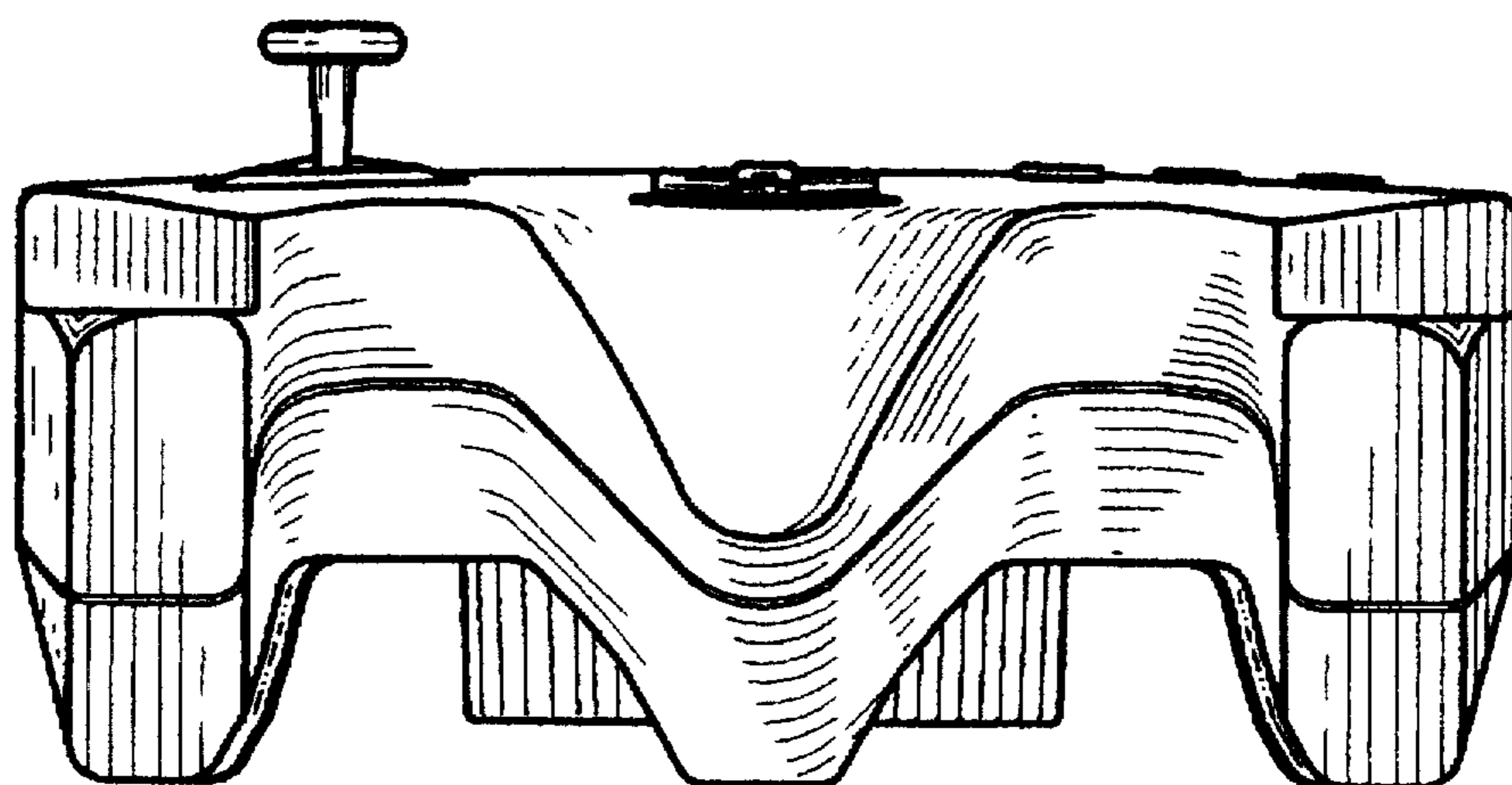


FIG. 5

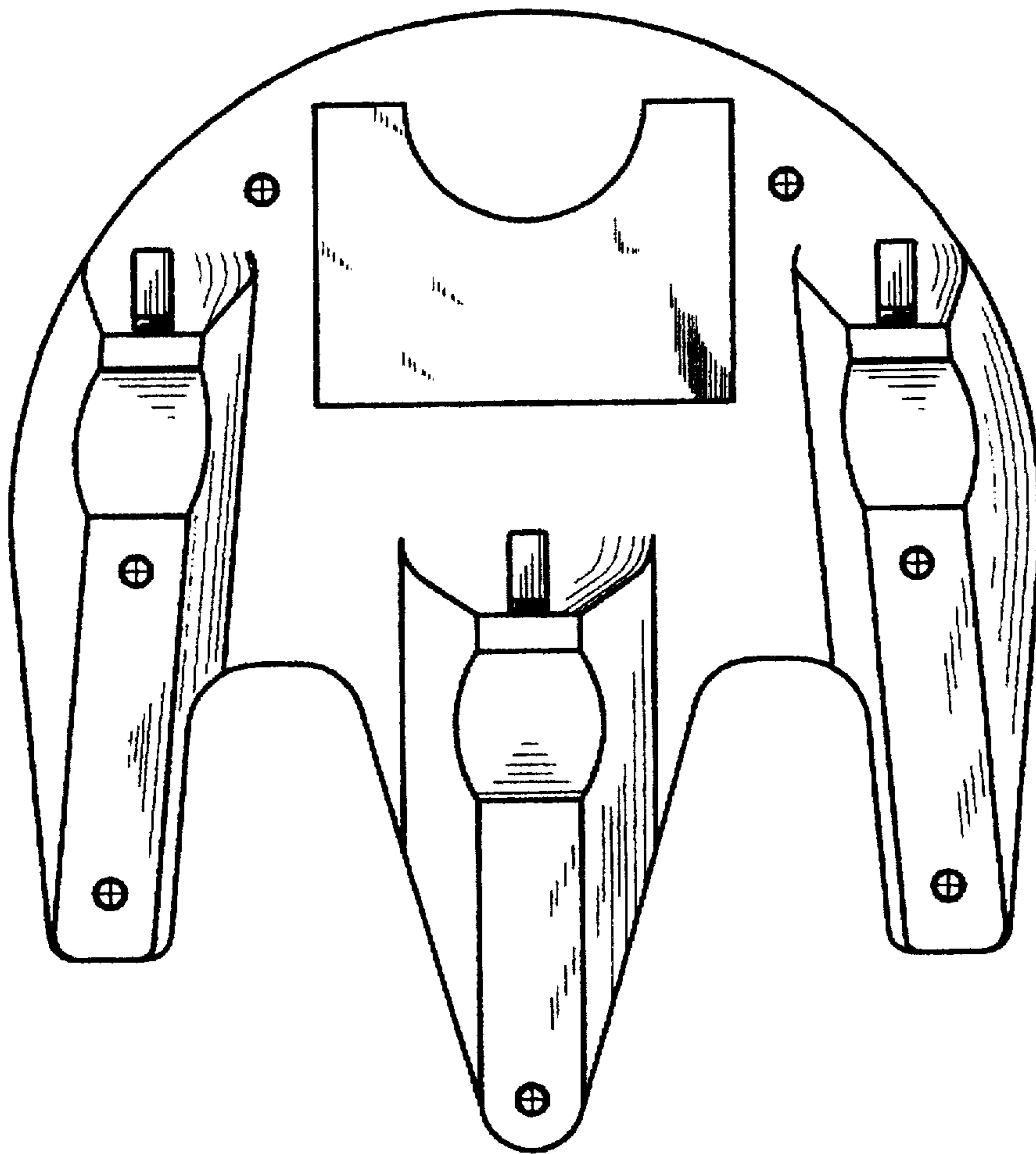


FIG. 2

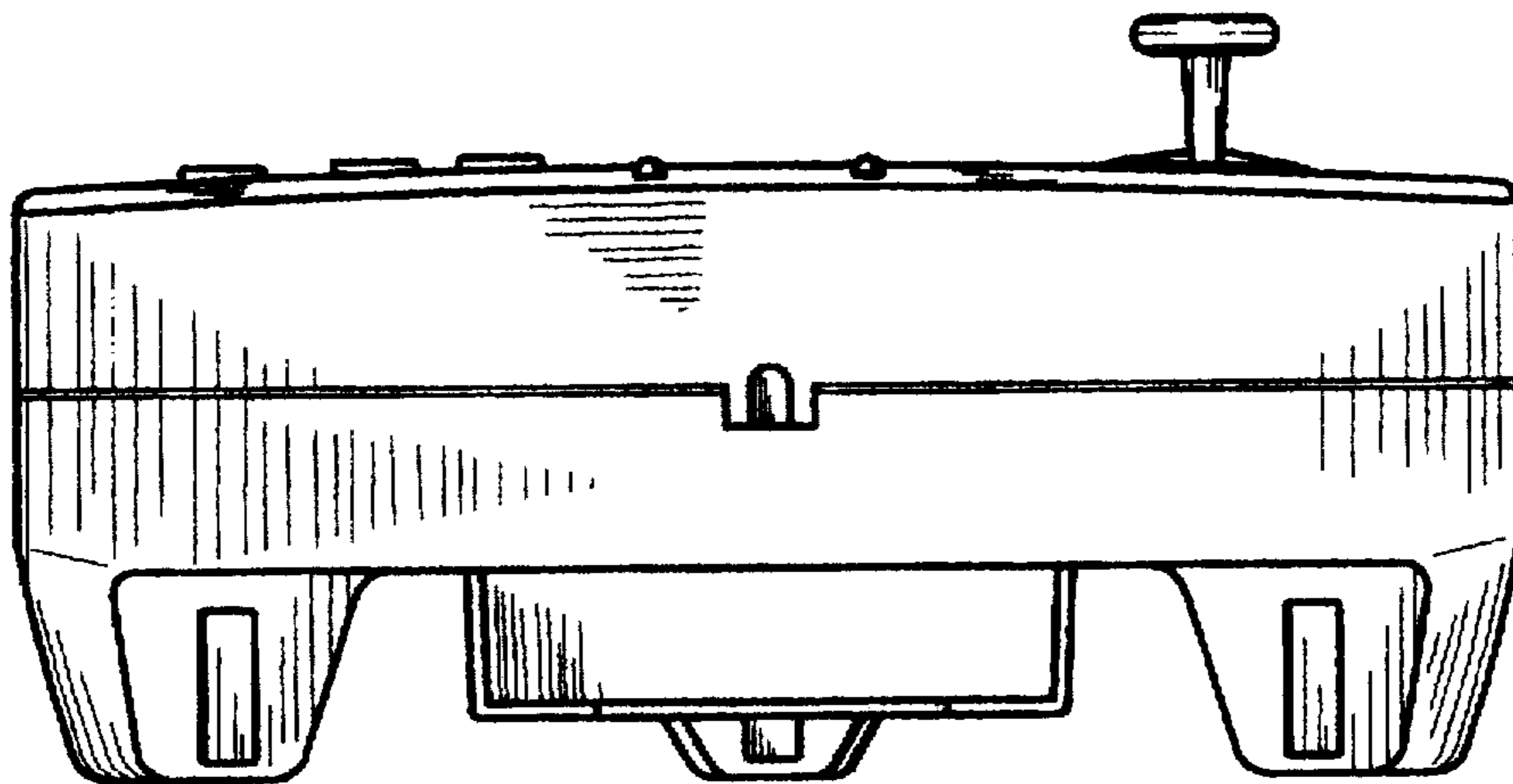


FIG. 6

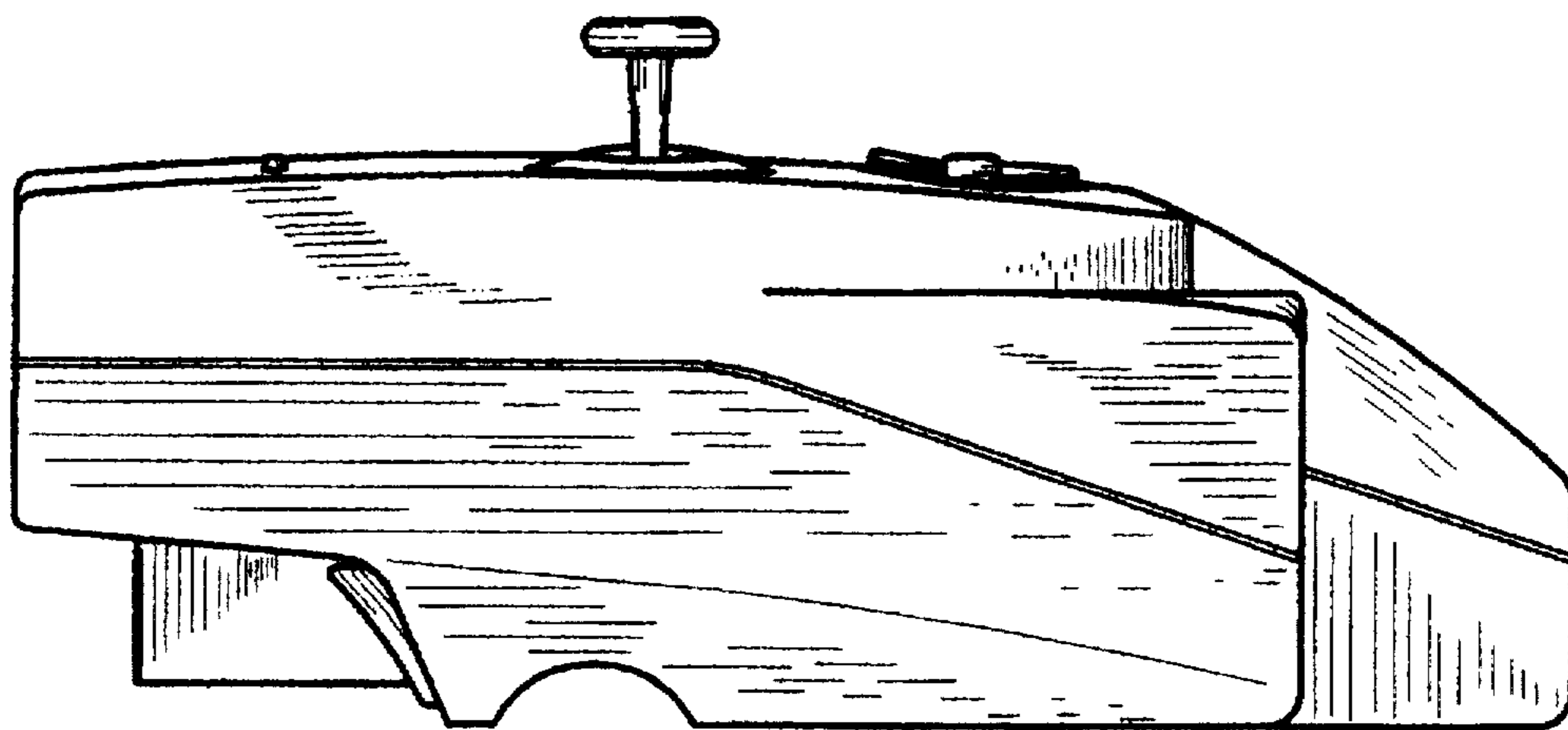


FIG. 3

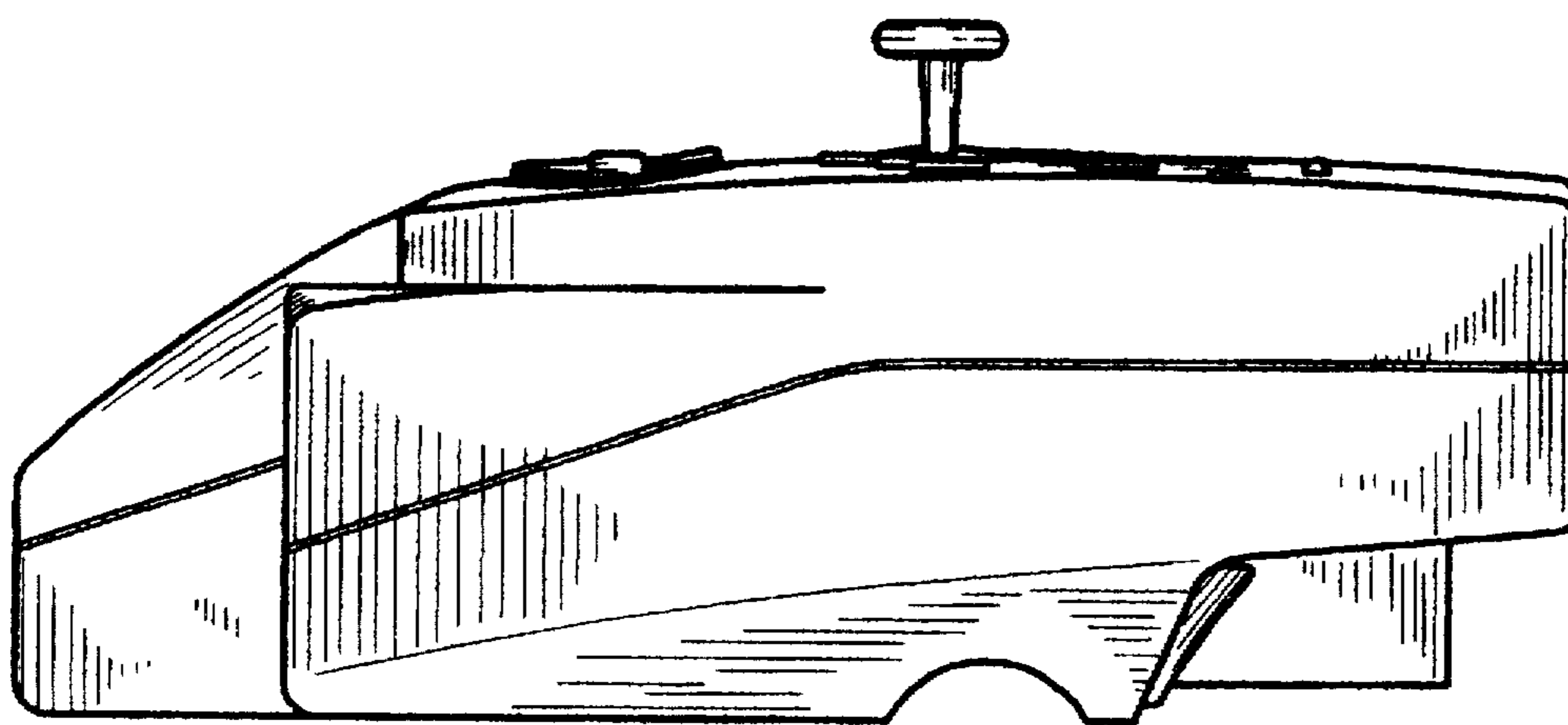


FIG. 4

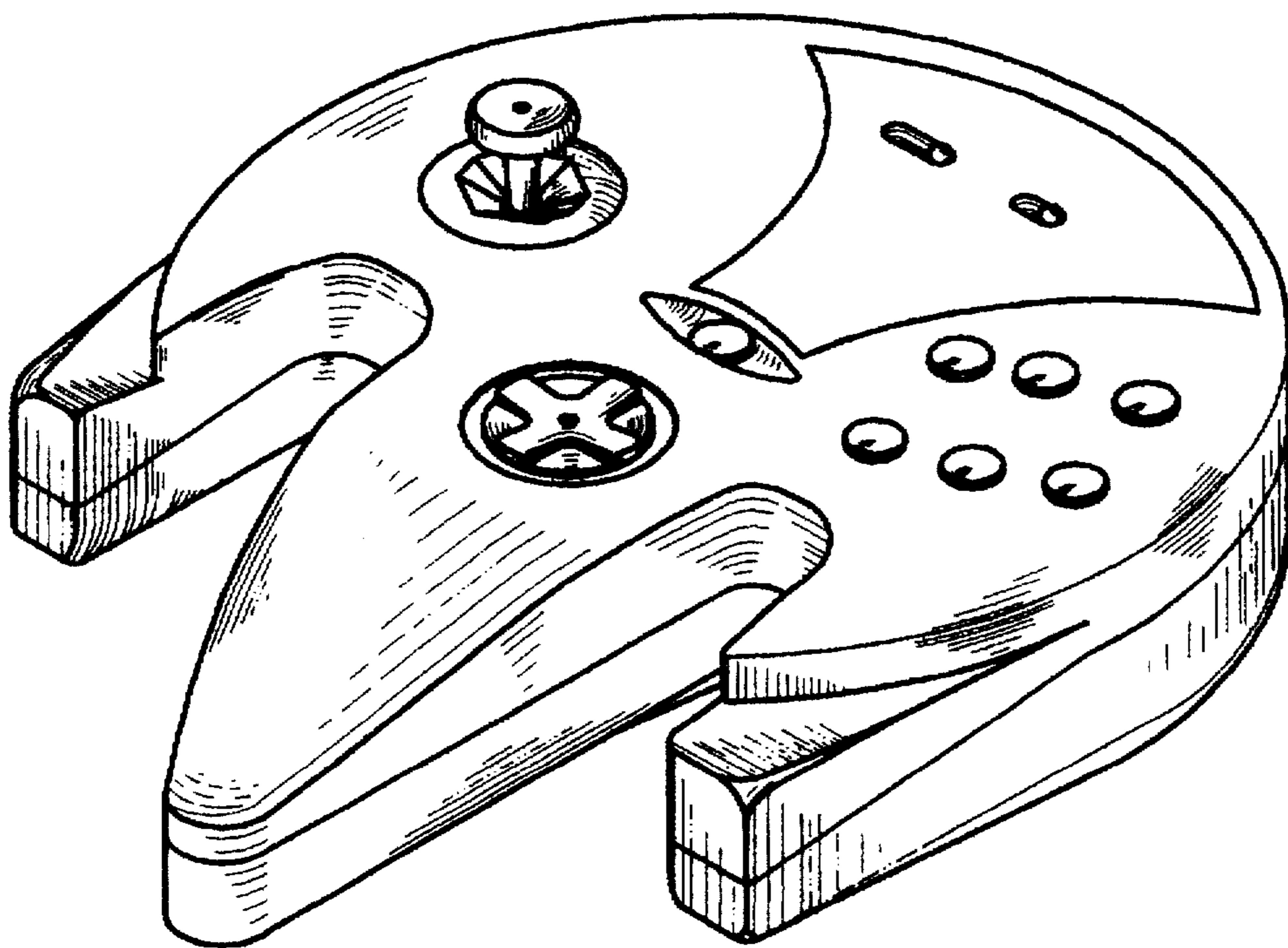


FIG. 7