



US00D393289S

United States Patent [19]

Suzuki

[11] Patent Number: **Des. 393,289**

[45] Date of Patent: ****Apr. 7, 1998**

[54] **SELECTOR FOR AUDIO, VIDEO AND GAME DEVICE**

[75] Inventor: **Satoshi Suzuki**, Tokyo, Japan

[73] Assignee: **Sony Corporation**, Tokyo, Japan

[**] Term: **14 Years**

[21] Appl. No.: **54,946**

[22] Filed: **May 24, 1996**

[30] **Foreign Application Priority Data**

Nov. 28, 1995 [JP] Japan 7-35650

[51] **LOC (6) Cl.** **21-01**

[52] **U.S. Cl.** **D21/48**

[58] **Field of Search** D21/1, 13, 48;
D14/124, 217, 168, 188; 273/148 B; 463/1,
30-47

[56] **References Cited**

U.S. PATENT DOCUMENTS

- D. 305,230 12/1989 Math D14/124
- D. 357,287 4/1995 Feng D21/48
- D. 359,518 6/1995 Mathews D21/48
- D. 370,239 5/1996 Ati et al. D21/48
- D. 370,481 6/1996 Brooks D14/124

4,976,435 12/1990 Shatford et al. 273/148 B
5,441,414 8/1995 Chretien D14/124 X

Primary Examiner—Prabhakar G. Deshmukh
Attorney, Agent, or Firm—Foley & Lardner

[57] **CLAIM**

The ornamental design for a selector for audio, video and game device, as shown and described.

DESCRIPTION

FIG. 1 is a top front perspective view of a first embodiment of a selector showing my new design;
 FIG. 2 is a top rear perspective view thereof;
 FIG. 3 is a top plan view thereof;
 FIG. 4 is a front elevational view thereof;
 FIG. 5 is a rear elevational view thereof;
 FIG. 6 is a bottom plan view thereof;
 FIG. 7 is a right side elevational view thereof, a left side elevational view thereof being a mirror image;
 FIG. 8 is a top front perspective view of a second embodiment of a selector showing my new design;
 FIG. 9 is a top plan view of the embodiment of FIG. 8; and
 FIG. 10 is a front elevational view of the embodiment of FIG. 8.

The rest of views of the embodiment of FIG. 8 are the same as those of the embodiment of FIG. 1.

1 Claim, 3 Drawing Sheets

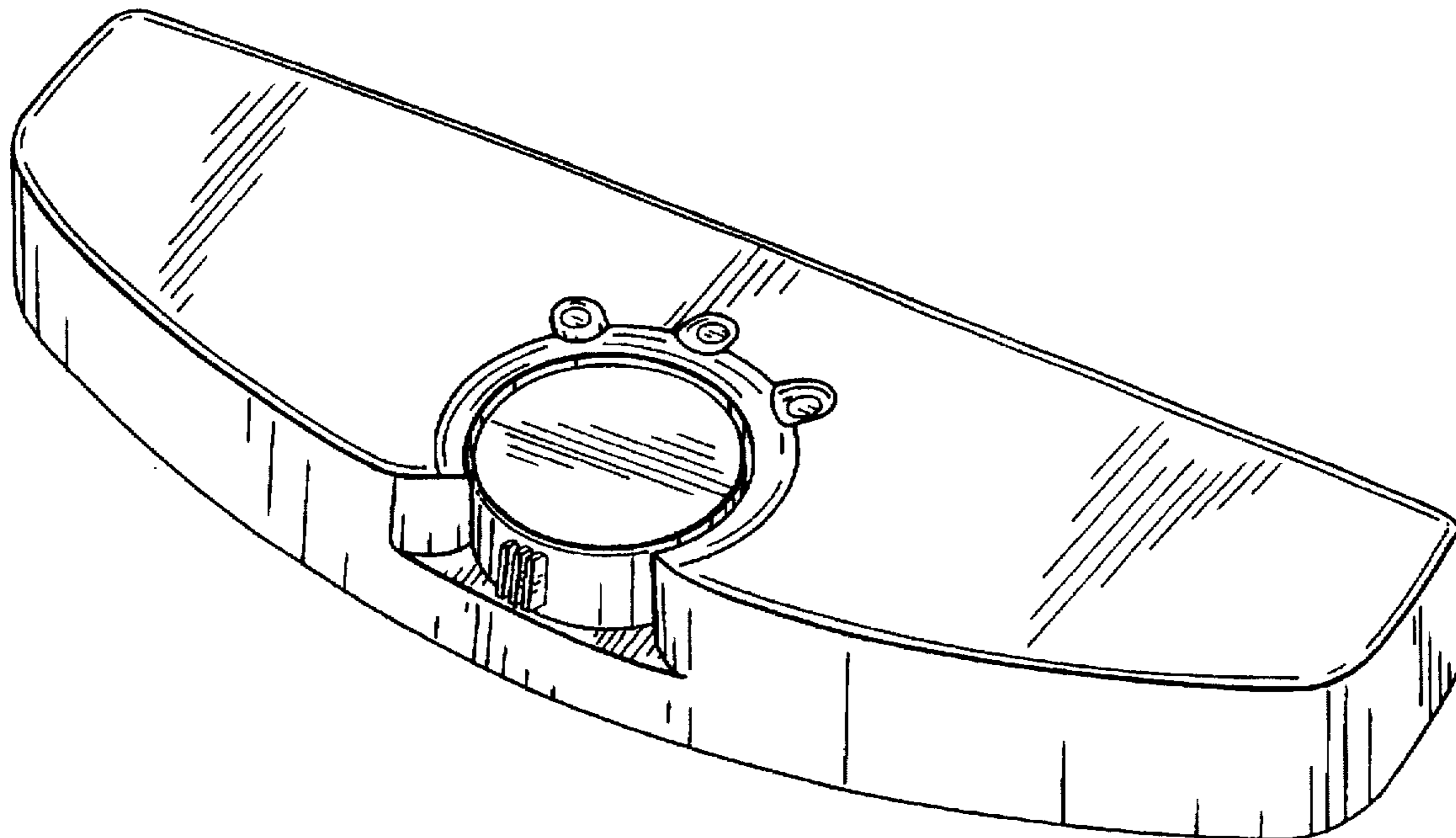


FIG. 1

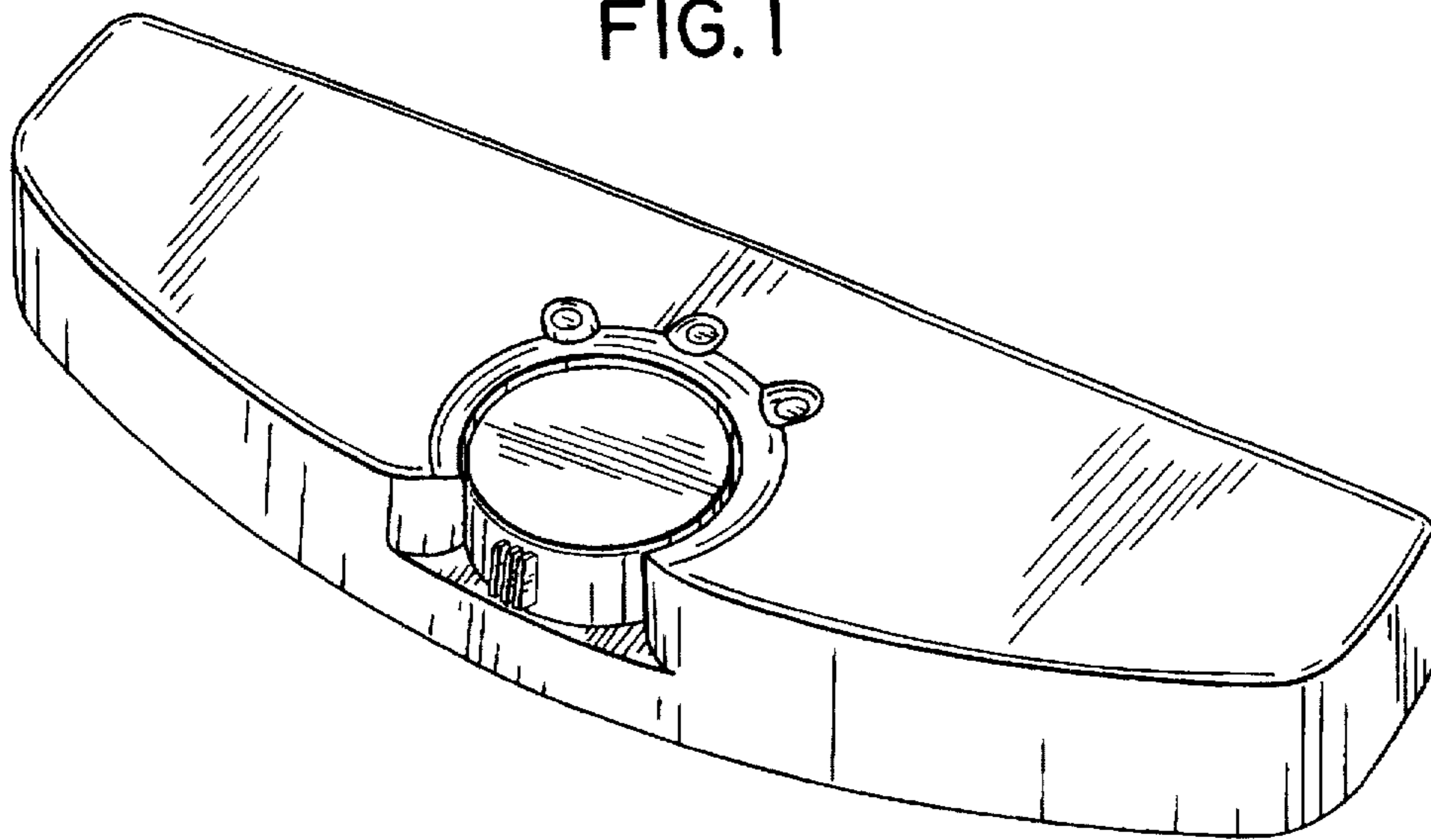


FIG. 2

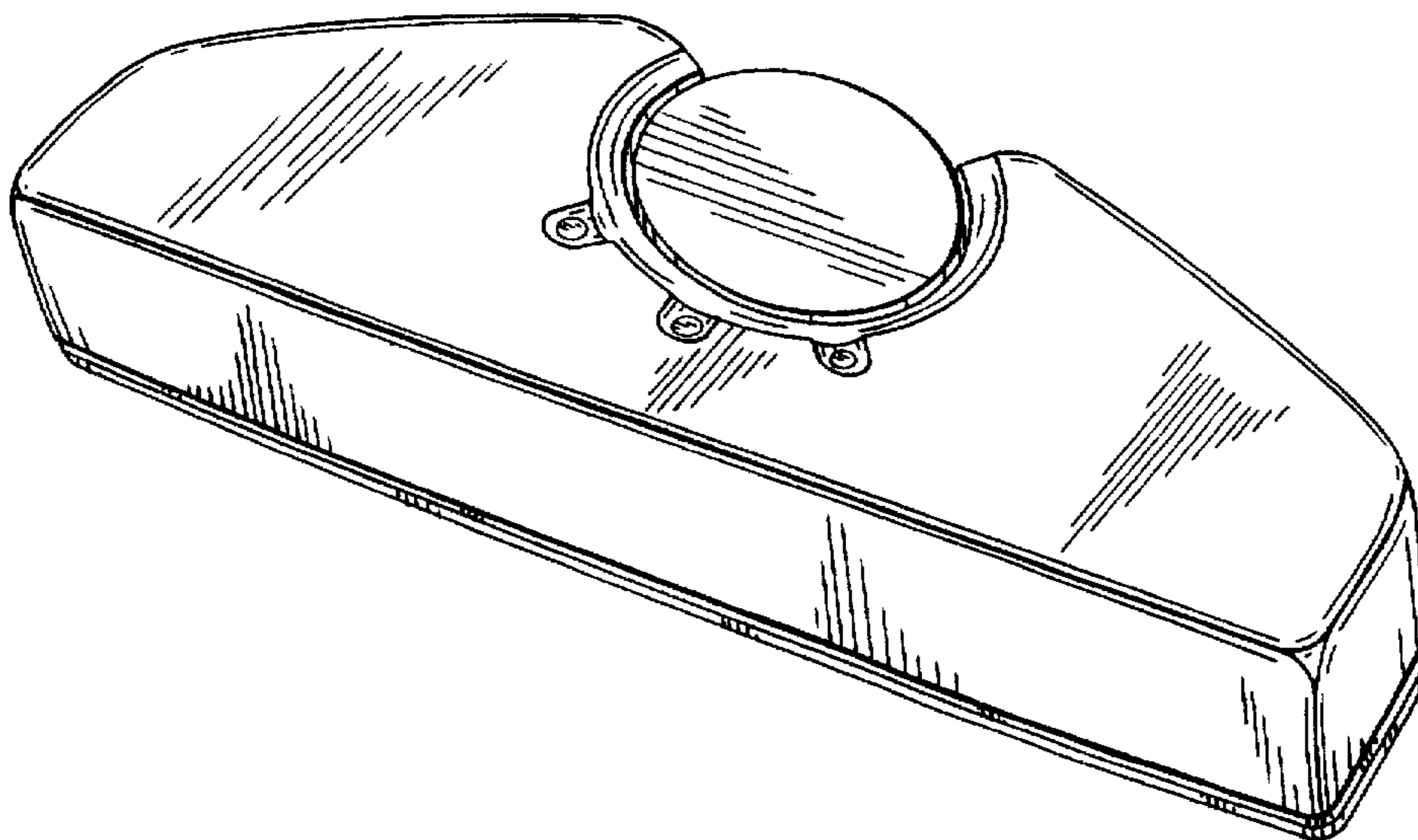


FIG. 3

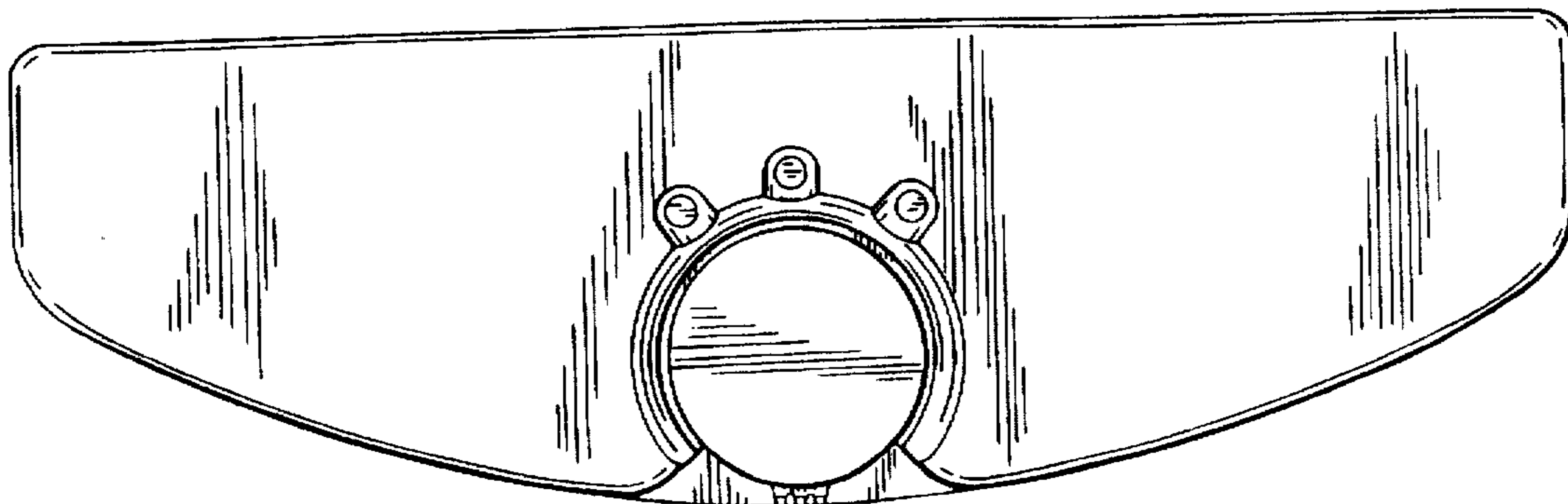


FIG. 4

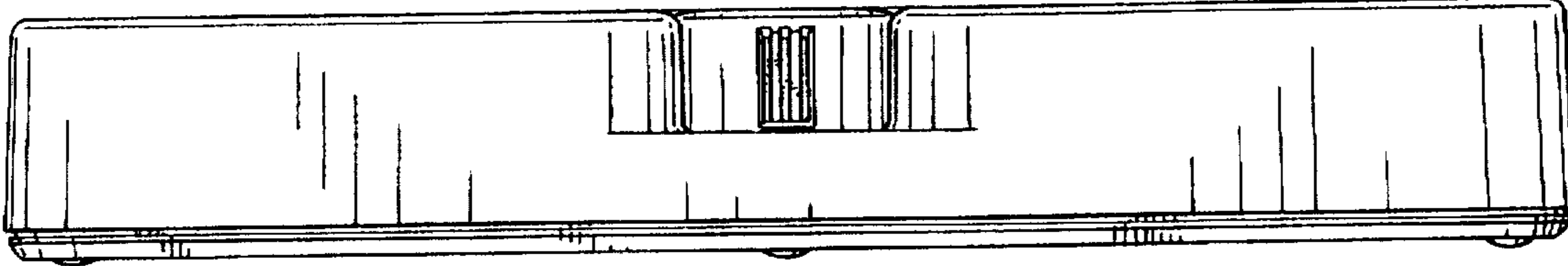


FIG. 5

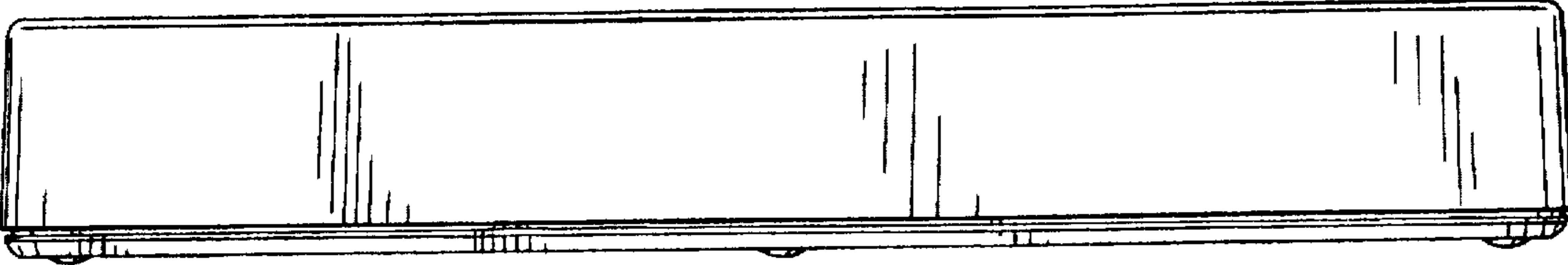


FIG. 6

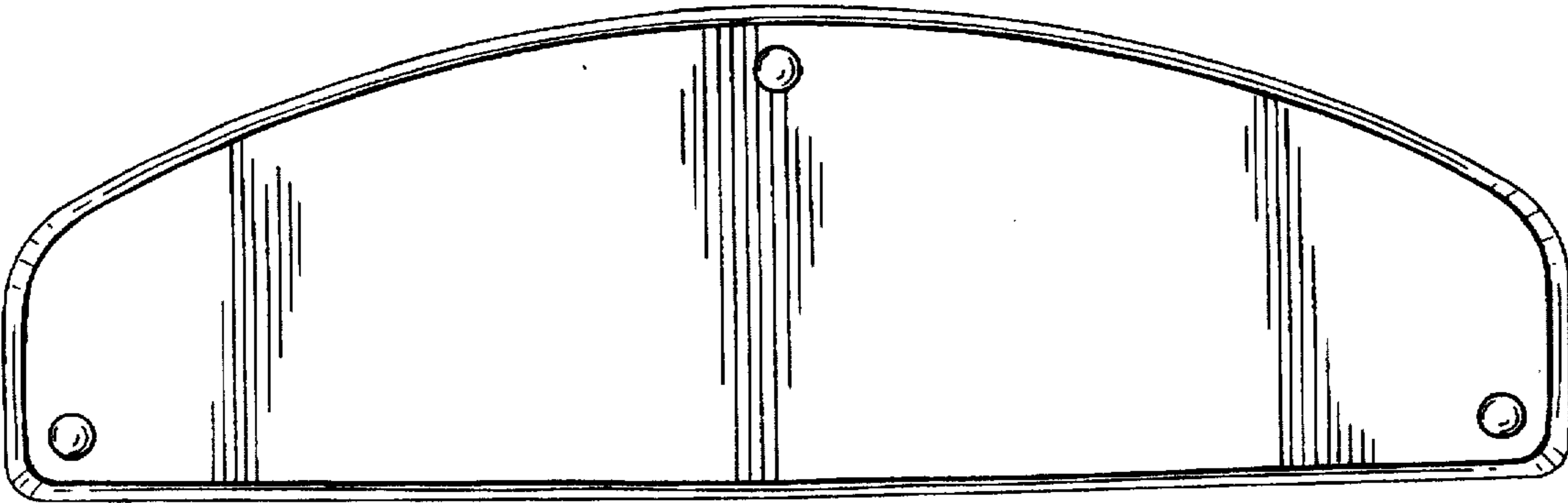


FIG. 7

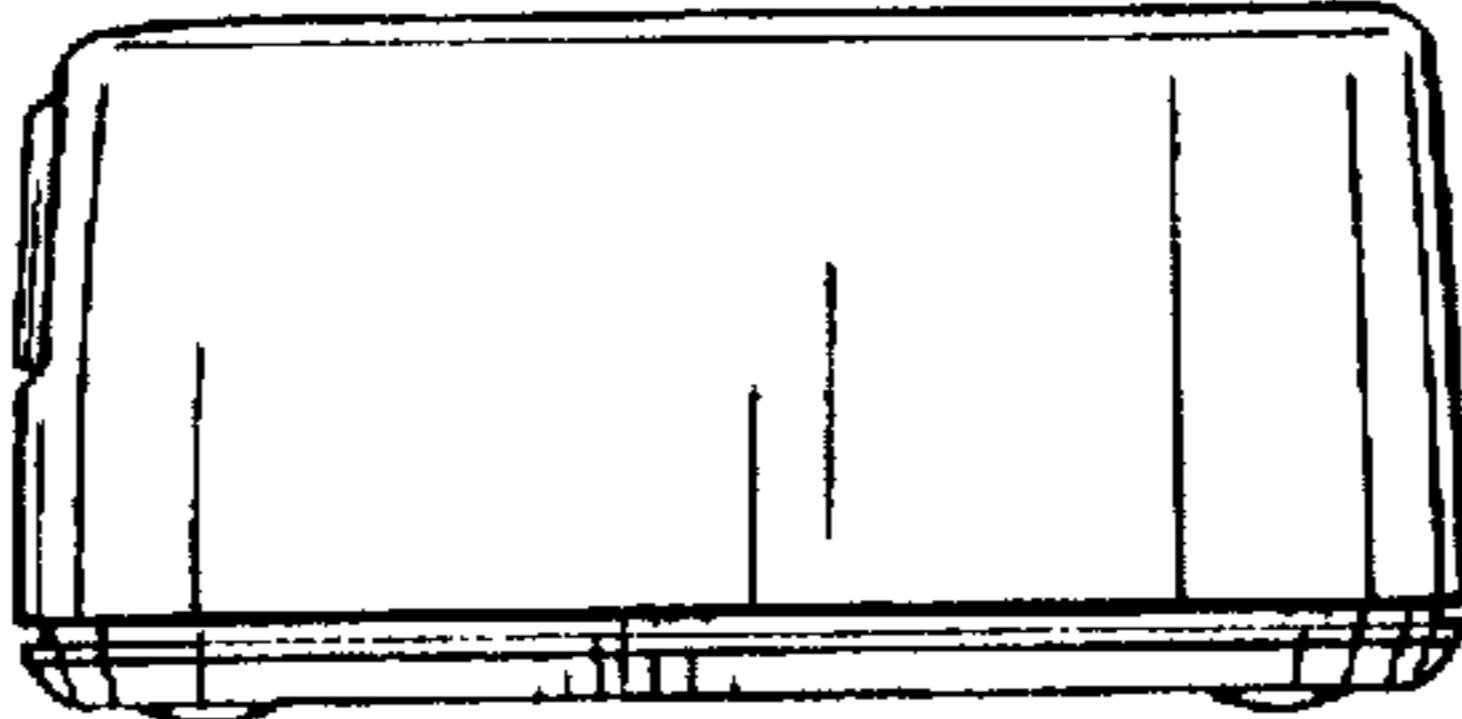


FIG. 8

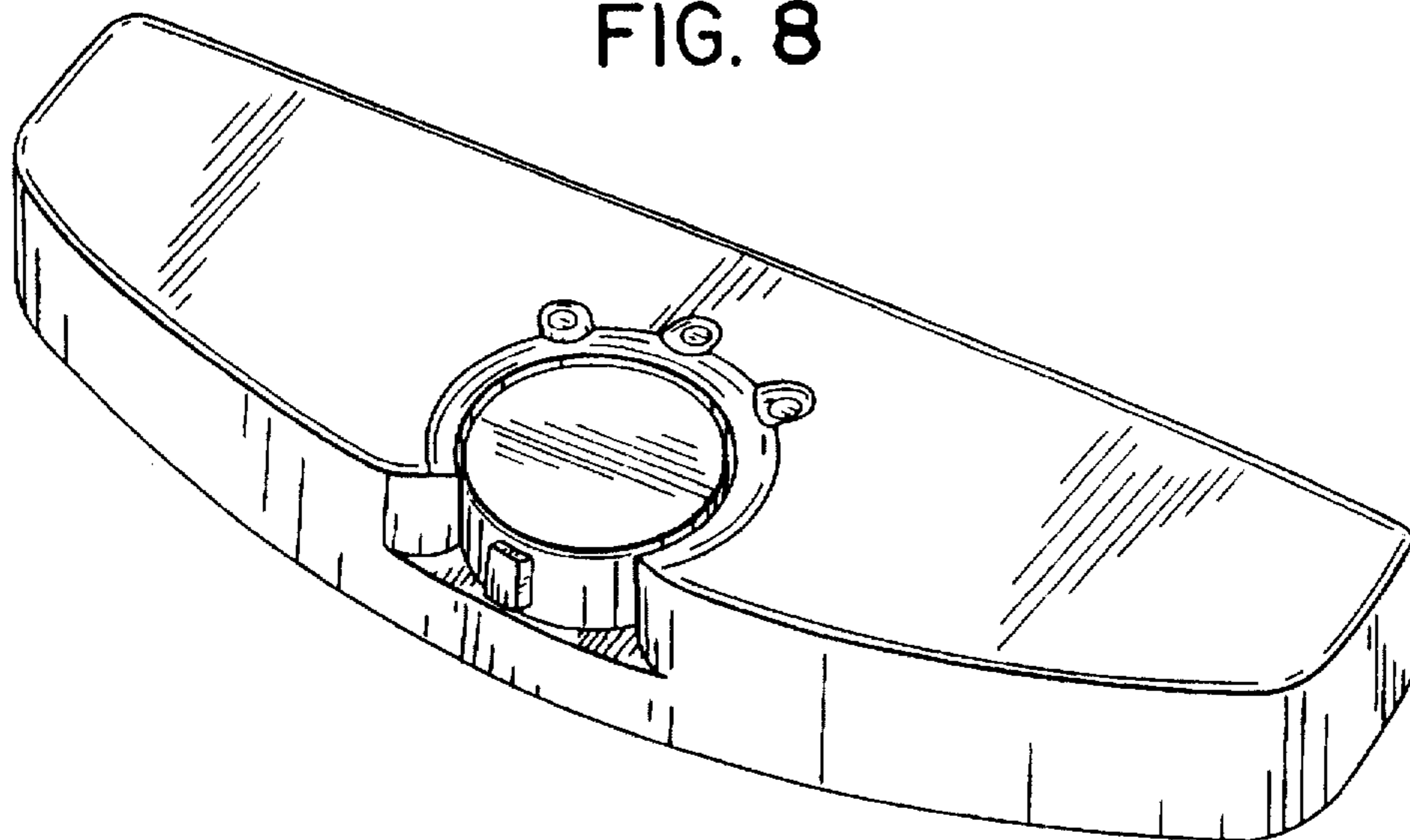


FIG. 9

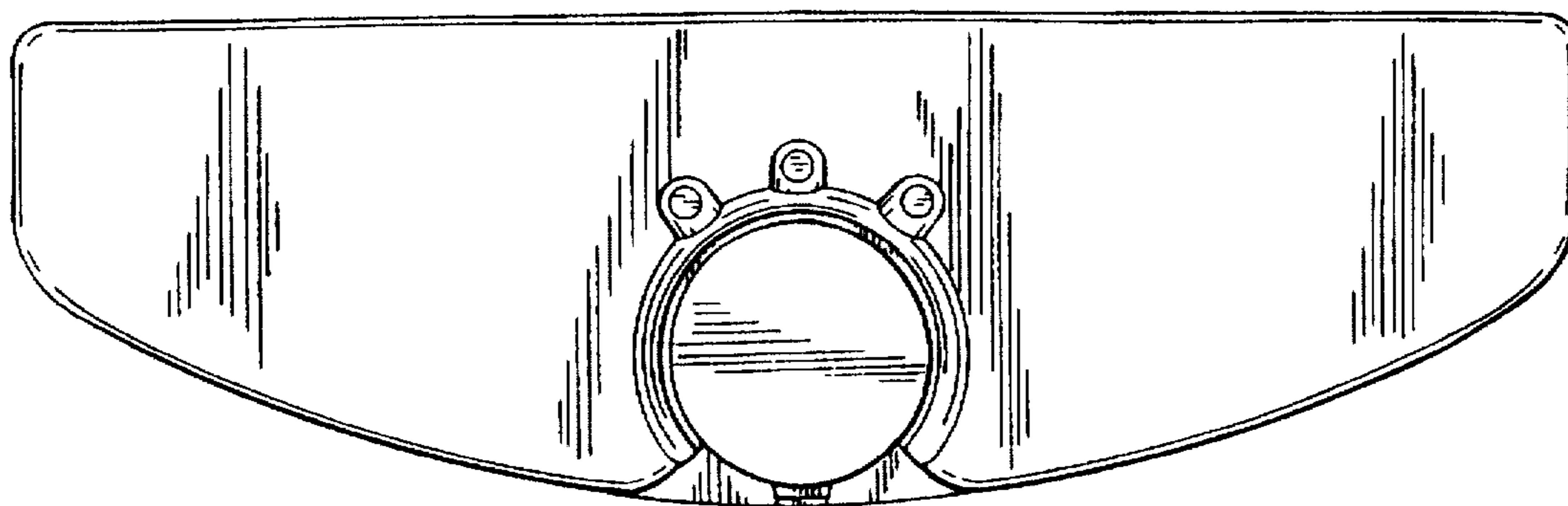


FIG. 10

