

US00D393283S

**United States Patent** [19]  
**Moderhack**

[11] **Patent Number:** **Des. 393,283**  
[45] **Date of Patent:** **\*\*Apr. 7, 1998**

[54] **MODULAR CIGARETTE DISPLAY**  
[75] **Inventor:** **Randall Moderhack**, Chicago, Ill.  
[73] **Assignee:** **Thomas A. Schutz Company**, Morton Grove, Ill.  
[\*\*] **Term:** **14 Years**  
[21] **Appl. No.:** **43,748**  
[22] **Filed:** **Sep. 11, 1995**  
[51] **LOC (6) Cl.** ..... **20-03**  
[52] **U.S. Cl.** ..... **D20/10; D20/43**  
[58] **Field of Search** ..... D6/491, 492, 514, D6/572, 512, 509; 206/256, 257, 558; D20/10, 12, 43, 19; 211/49.1, 126, 27

D. 321,801 11/1991 Friedman ..... D6/492  
D. 325,680 4/1992 Kiiski ..... D6/479

*Primary Examiner*—Susan J. Lucas  
*Assistant Examiner*—Jennifer A. Register  
*Attorney, Agent, or Firm*—Wood, Phillips, VanSanten, Clark & Mortimer

[57] **CLAIM**

The ornamental design for a modular cigarette display, as shown and described.

**DESCRIPTION**

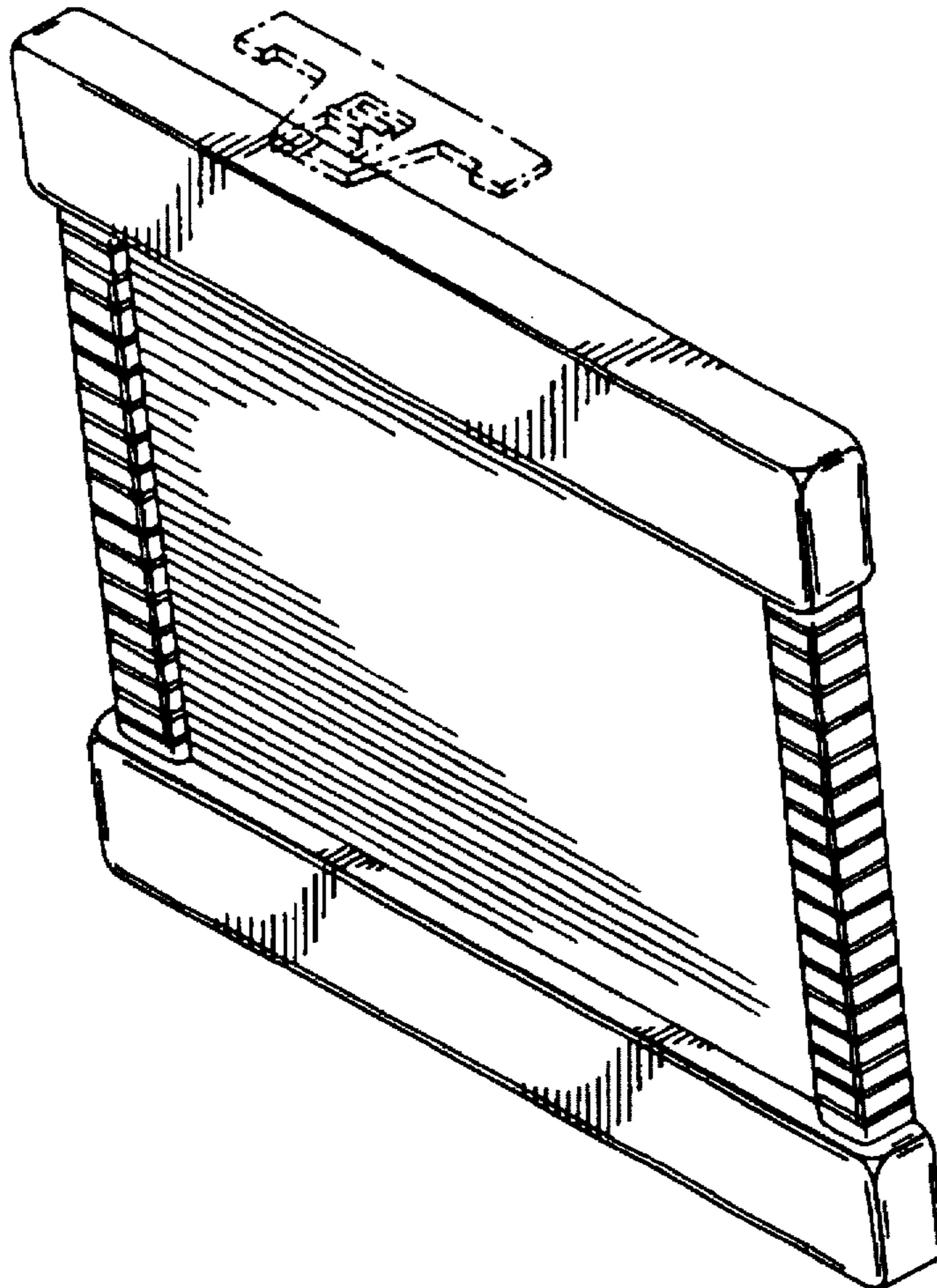
FIG. 1 is a front, top and left side perspective view of my design for a modular cigarette display;  
FIG. 2 is a left side elevation view thereof;  
FIG. 3 is a rear elevation view thereof;  
FIG. 4 is a front elevation view thereof;  
FIG. 5 is a top plan view thereof;  
FIG. 6 is a bottom view thereof; and  
FIG. 7 is a right side elevation view thereof.  
That which is in dotted lines does not form part of the claimed invention.

[56] **References Cited**

**U.S. PATENT DOCUMENTS**

D. 123,703 11/1940 Smith ..... D6/494  
D. 244,735 6/1977 Kennedy, Jr. et al. .... D6/494  
D. 255,196 6/1980 Durrant ..... D6/494

**1 Claim, 3 Drawing Sheets**



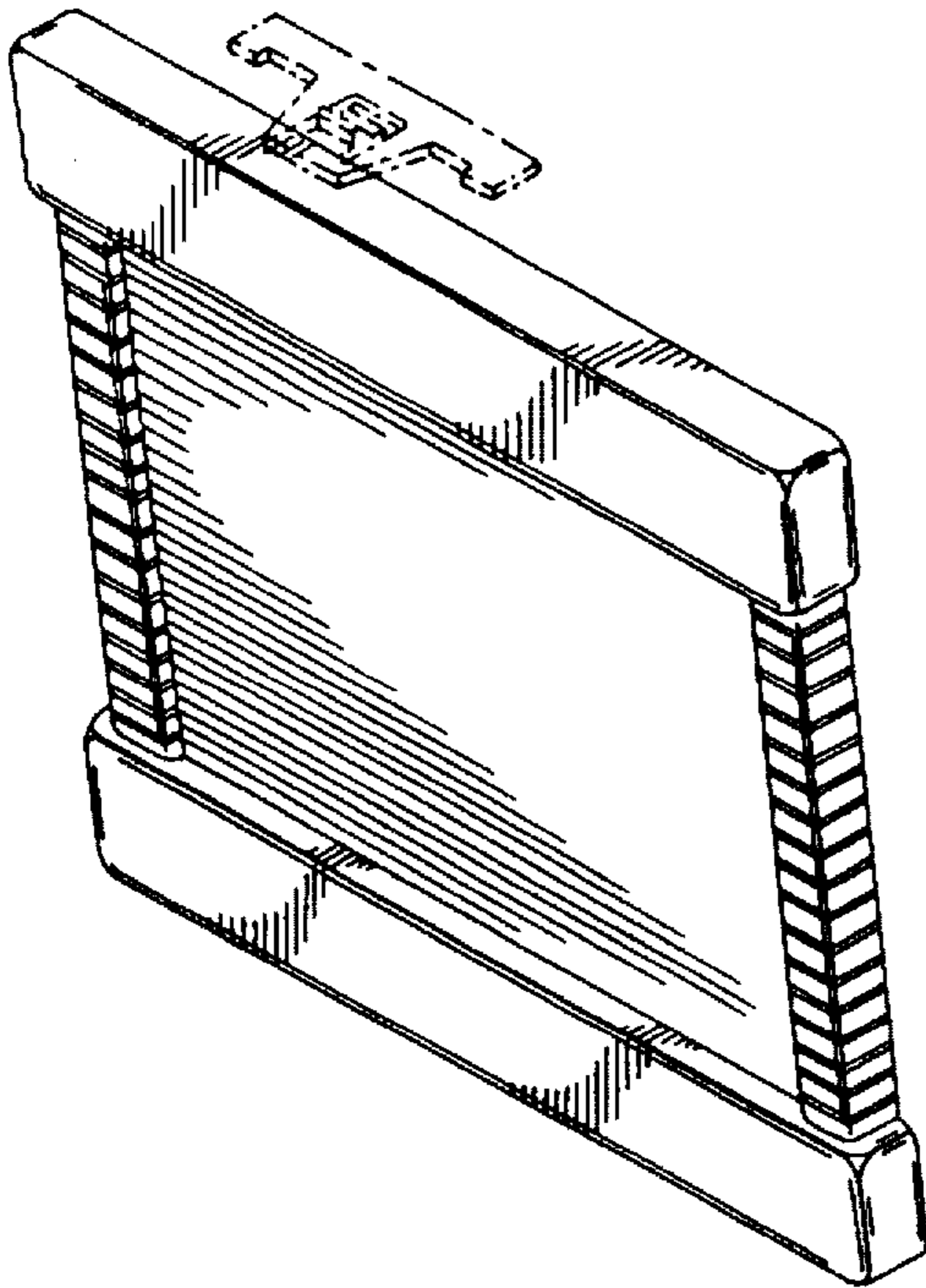


FIG. 1

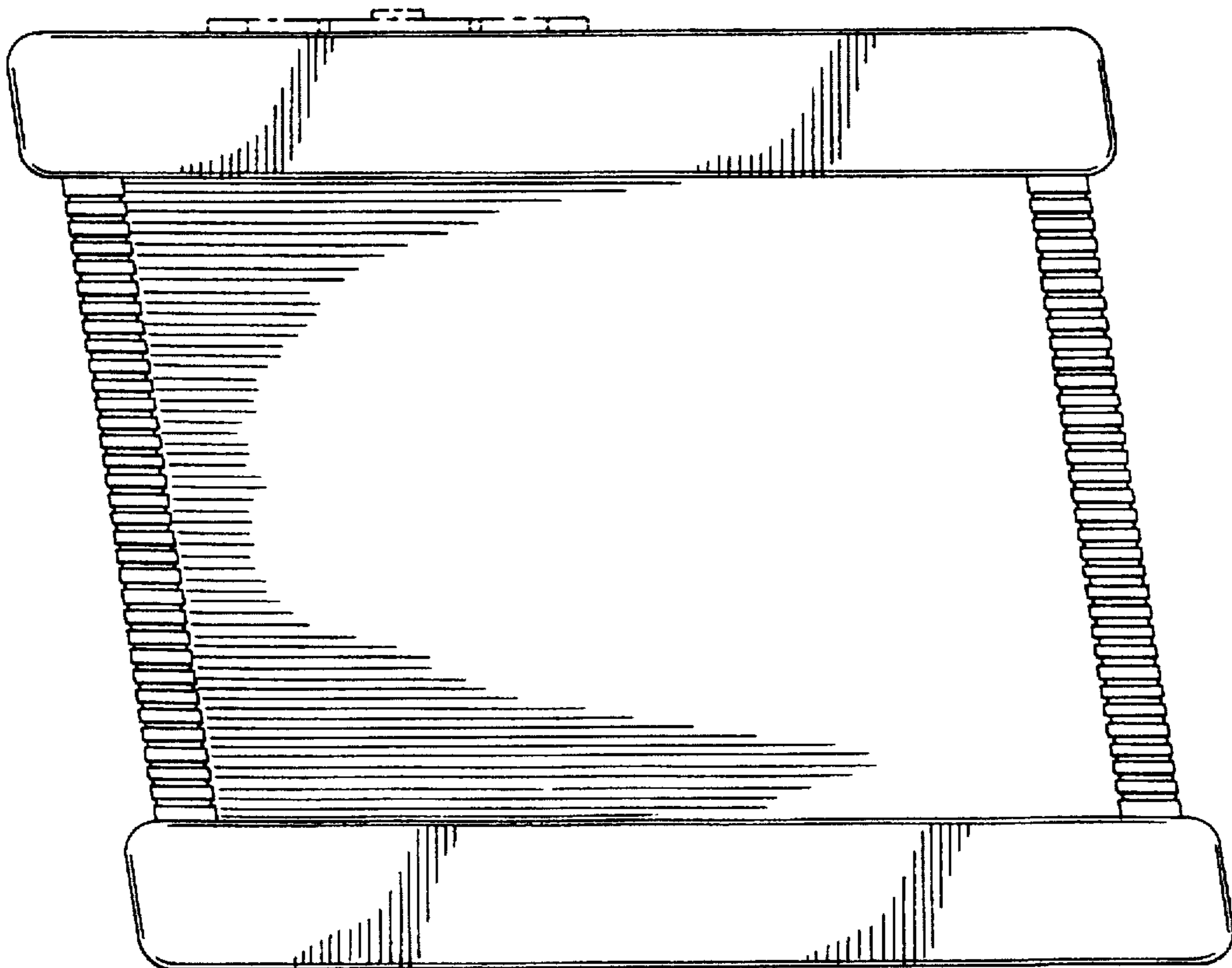


FIG. 2

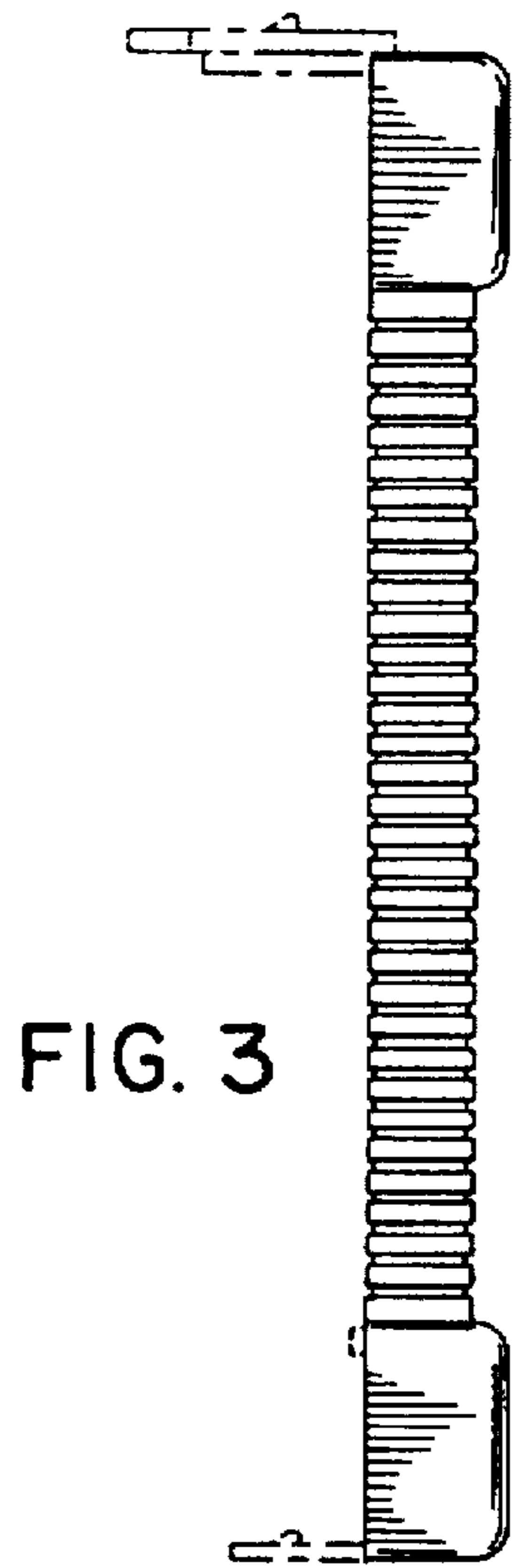


FIG. 3

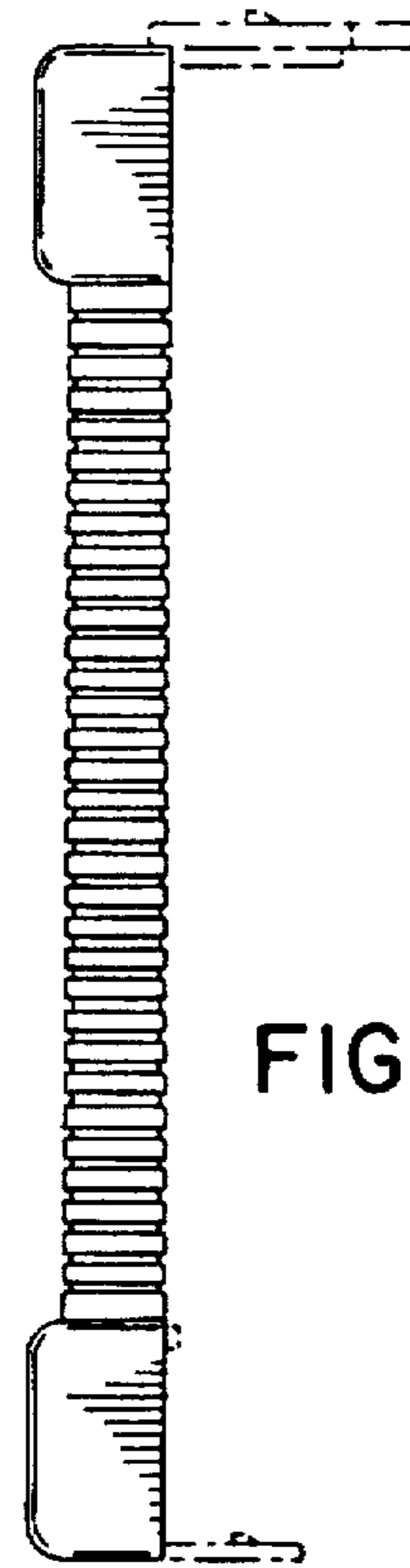


FIG. 4

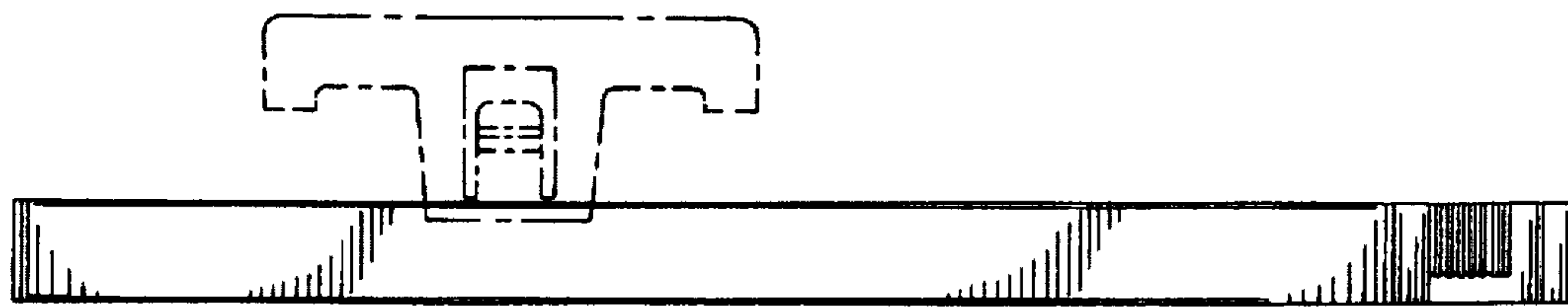


FIG. 5

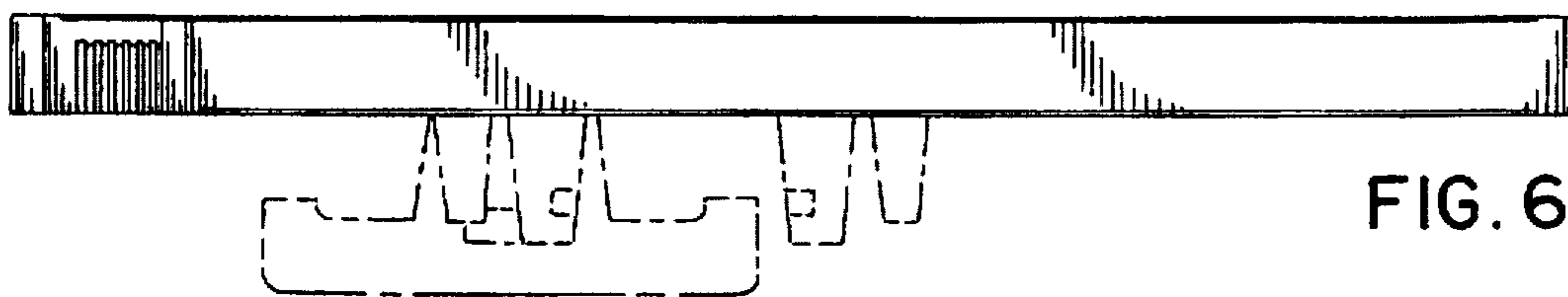


FIG. 6

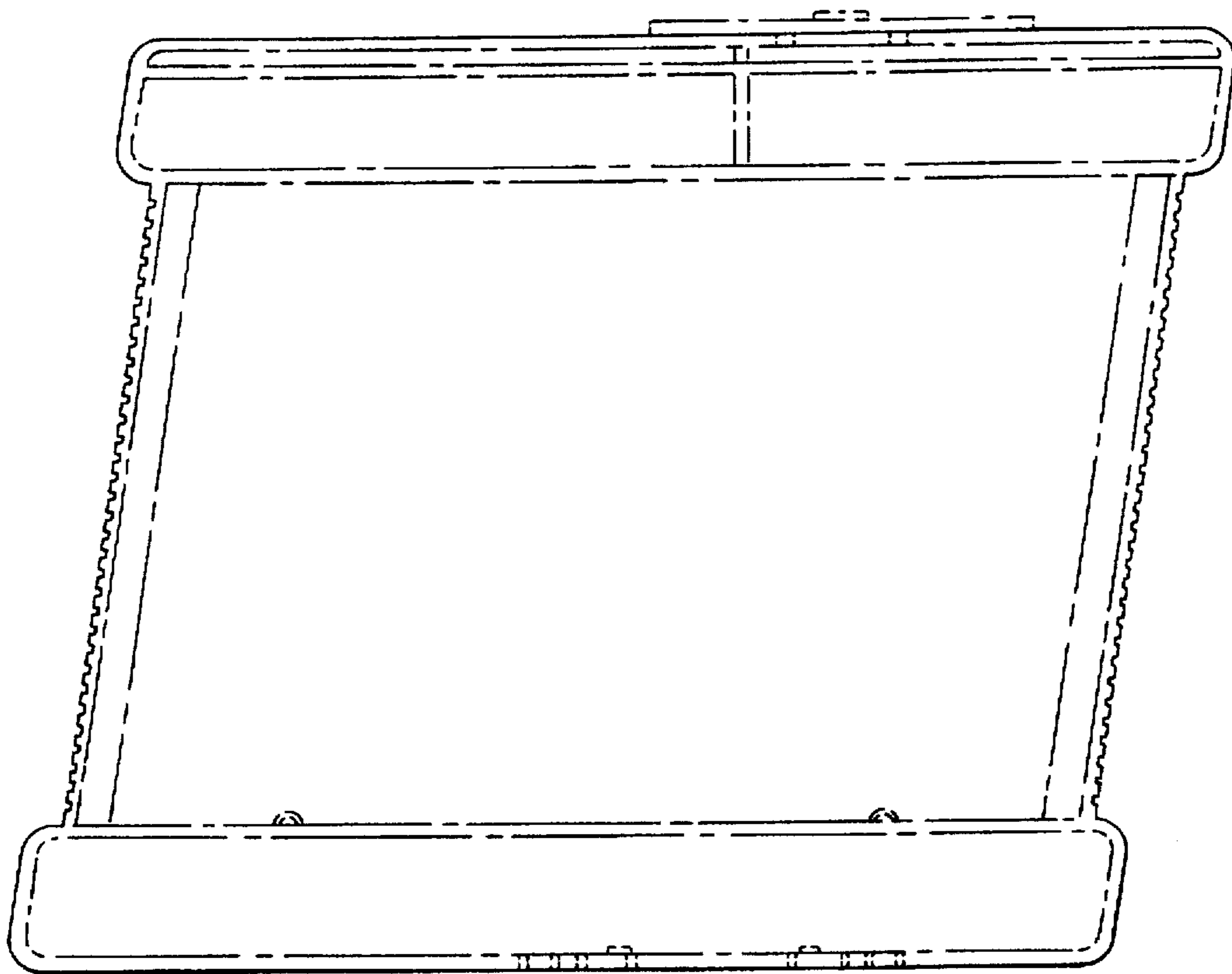


FIG. 7