

US00D393282S

**United States Patent** [19]  
**Hutchinson et al.**

[11] **Patent Number: Des. 393,282**  
[45] **Date of Patent: \*\*Apr. 7, 1998**

[54] **GUMBALL VENDING MACHINE**  
[76] **Inventors: John E. Hutchinson**, 2021 McKinnion Avenue S., Saskatoon, Saskatchewan, Canada, S7J 1N1; **Kenneth R. Epp**, 401-112th Street E., Saskatoon, Saskatchewan, Canada, S7N 1V7

D. 316,276 4/1991 Weiner ..... D20/7 X  
D. 331,603 12/1992 Peterson ..... D20/7  
D. 333,681 3/1993 Stern ..... D20/7  
D. 342,970 1/1994 Schwarzli ..... D20/7  
D. 370,236 5/1996 Stockman ..... D20/7

*Primary Examiner*—Ted Shooman  
*Assistant Examiner*—Mitchell I. Siegel

[\*\*] **Term: 14 Years**

[57] **CLAIM**

[21] **Appl. No.: 48,660**

The ornamental design for a gumball vending machine, as shown and described.

[22] **Filed: Jan. 11, 1996**

**DESCRIPTION**

[51] **LOC (6) Cl.** ..... **20-01**  
[52] **U.S. Cl.** ..... **D20/7; D15/151; D20/3**  
[58] **Field of Search** ..... **D20/3, 7; D15/151, D15/152; D10/92; 194/255, 350; 221/155, 281**

FIG. 1 is a front isometric view of a gumball vending machine according to the present invention; FIG. 2 is a right side view of the gumball vending machine; FIG. 3 is a front view of the gumball vending machine; FIG. 4 is a left side view of the gumball vending machine; FIG. 5 is a back view of the gumball vending machine; FIG. 6 is a top view of the gumball vending machine; and FIG. 7 is a bottom view of the gumball vending machine.

[56] **References Cited**  
**U.S. PATENT DOCUMENTS**

D. 111,511 9/1938 Fox ..... D15/151 X

**1 Claim, 3 Drawing Sheets**

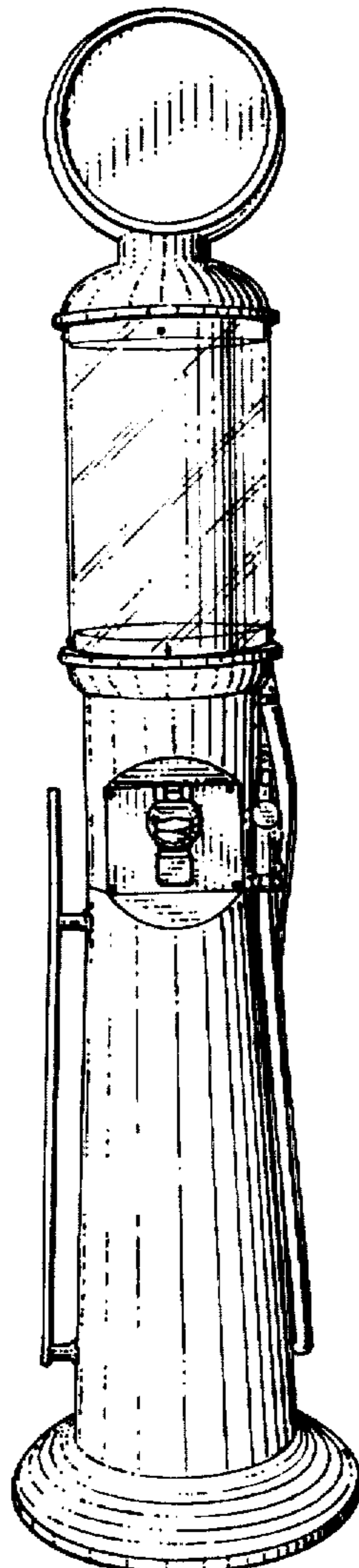


FIG. 1

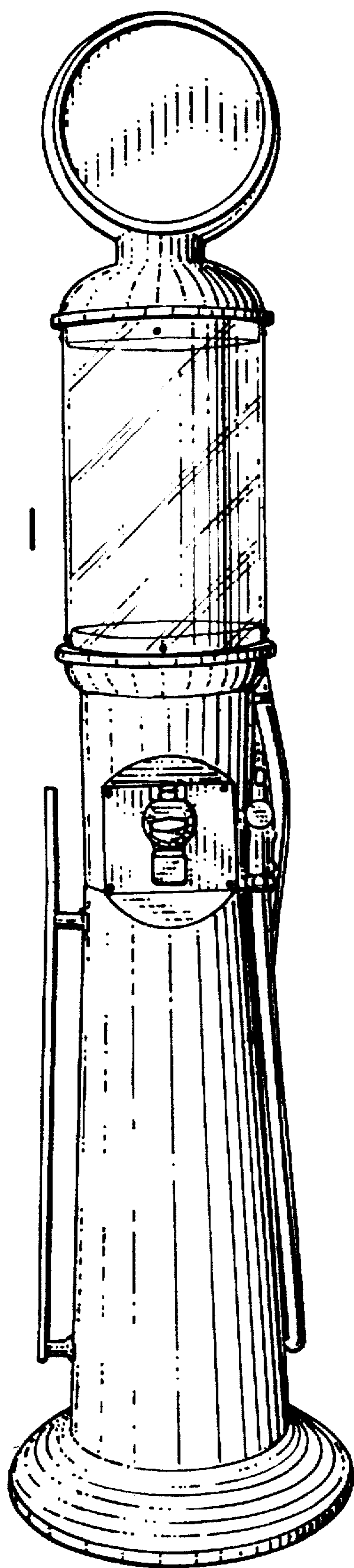


FIG. 2

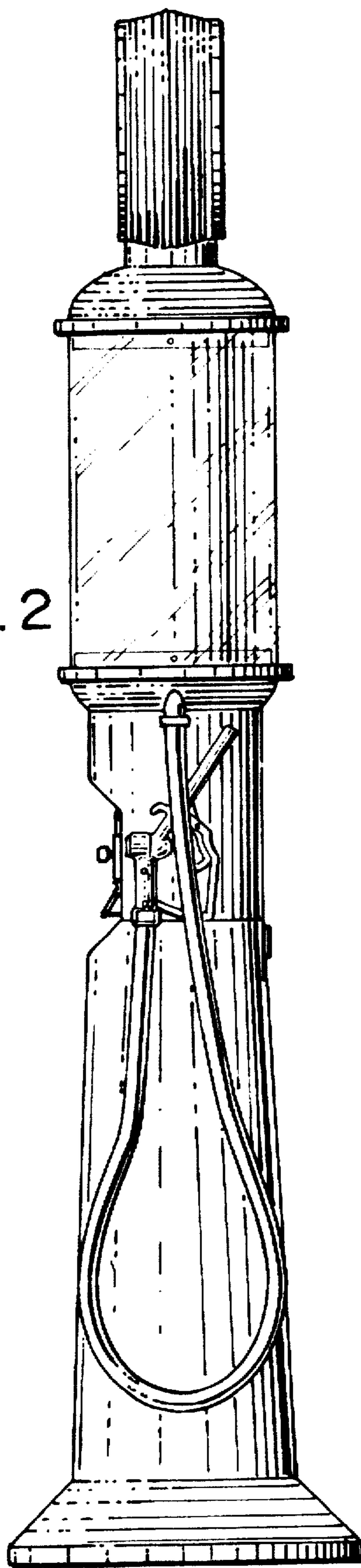


FIG. 3

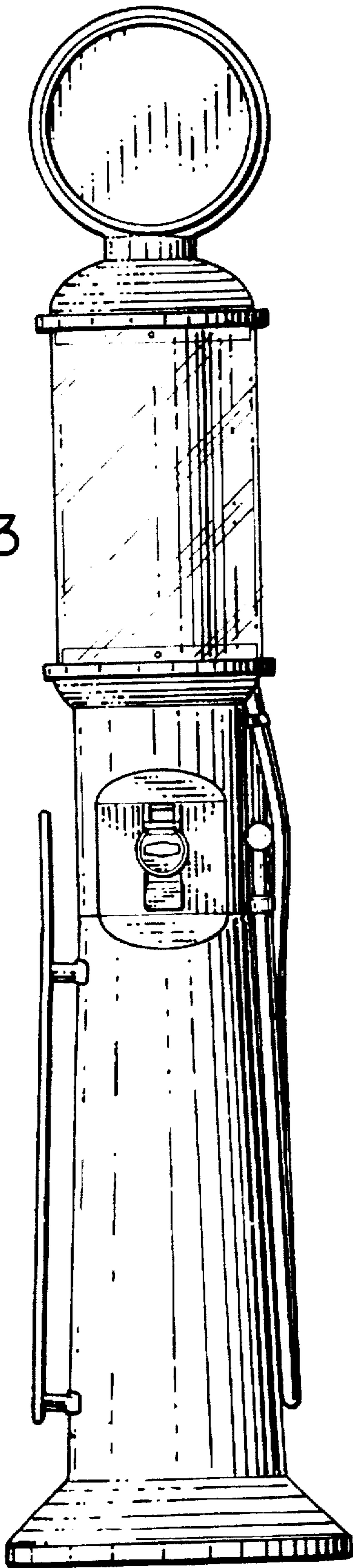
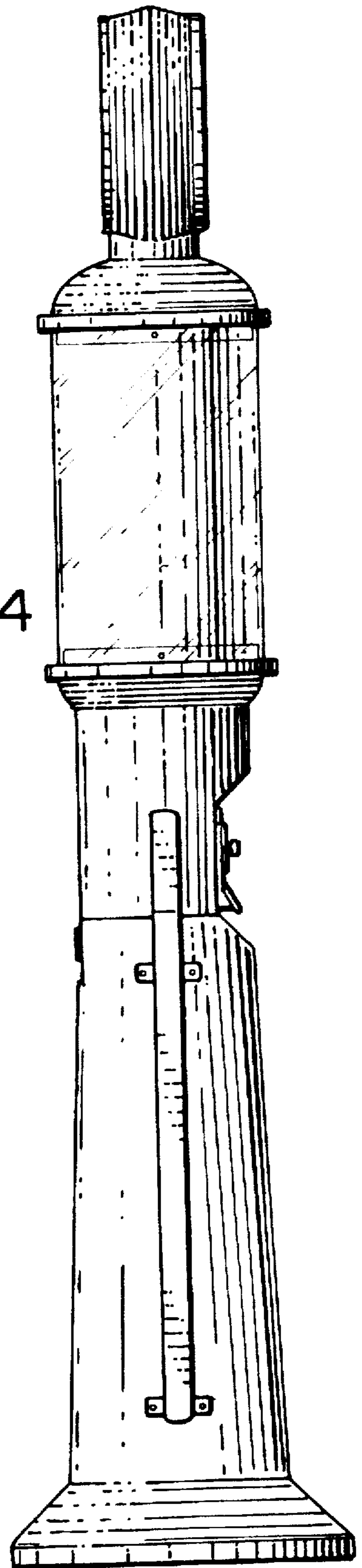


FIG. 4



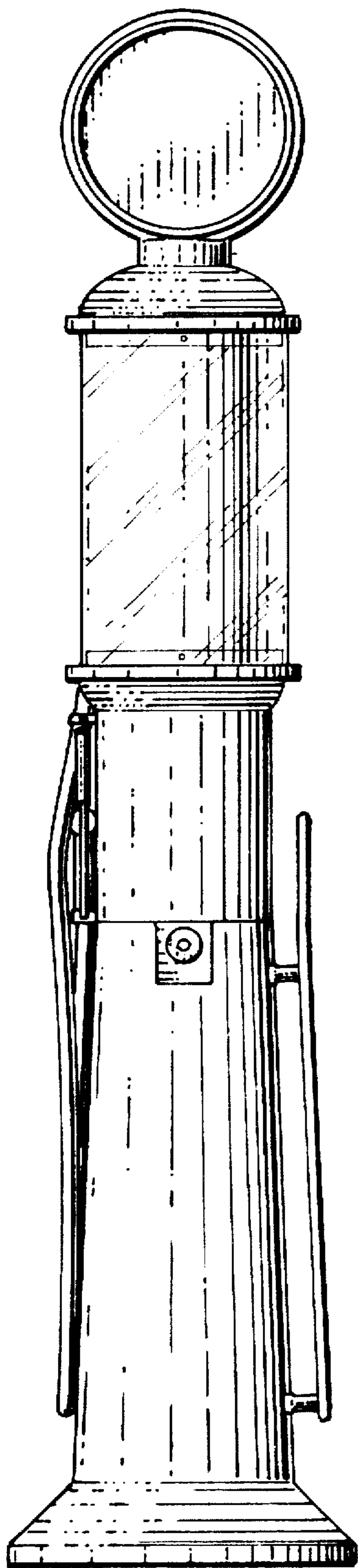


FIG. 5

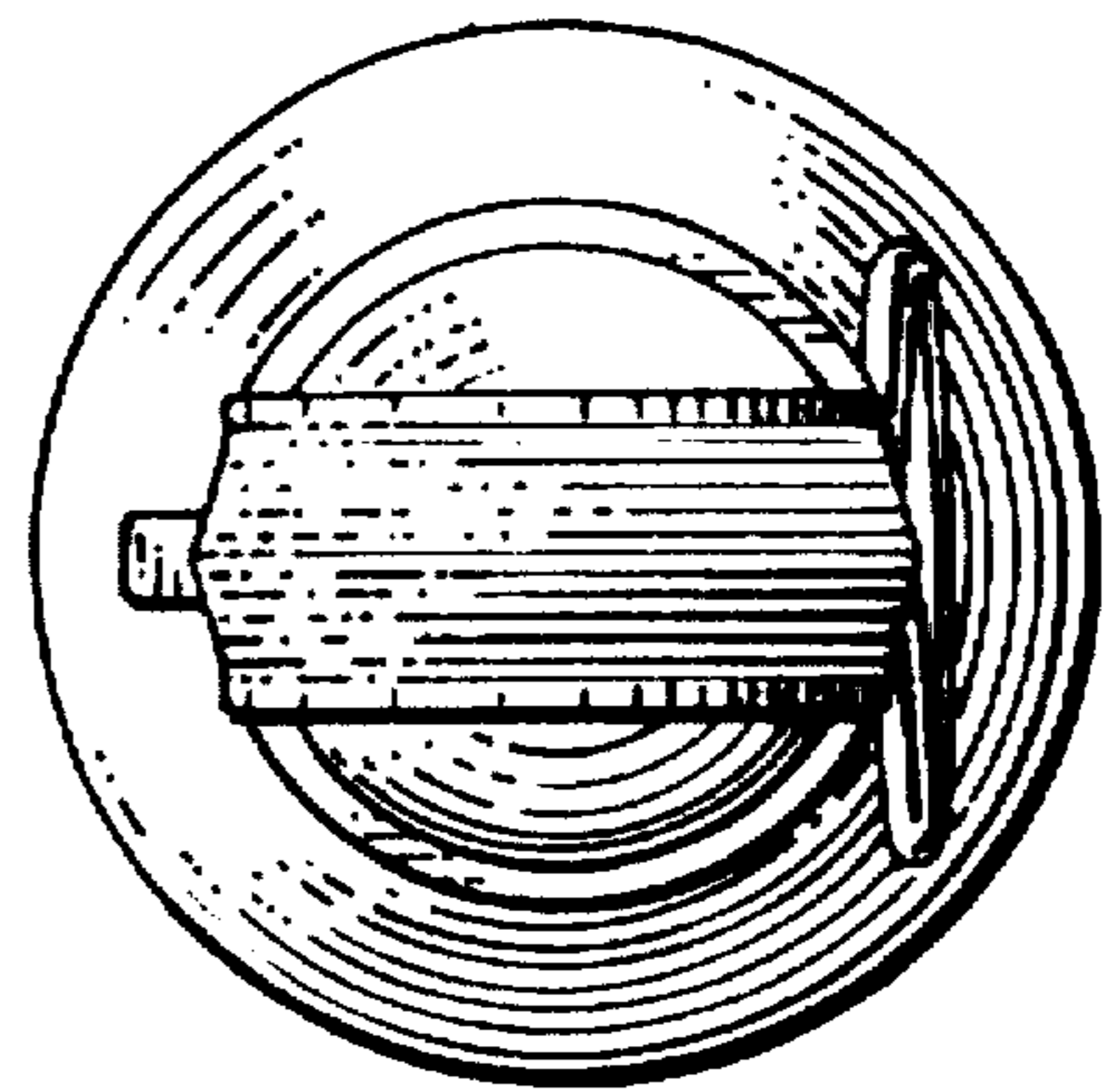


FIG. 6

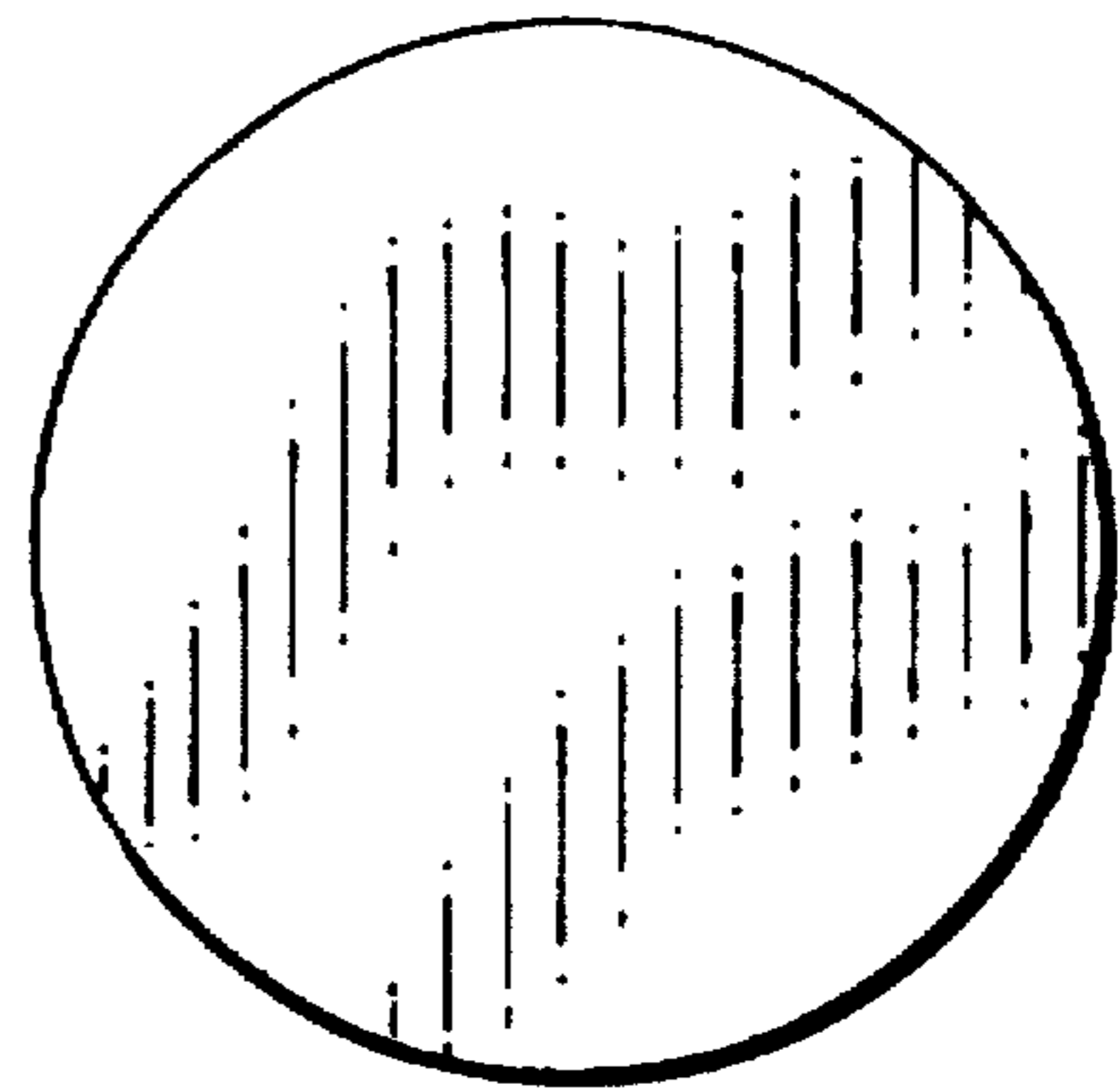


FIG. 7

UNITED STATES PATENT AND TRADEMARK OFFICE  
**CERTIFICATE OF CORRECTION**

PATENT NO. : Des. 393,282  
DATED : April 7, 1998  
INVENTOR(S) : John E. Hutchinson, et. al.

It is certified that error appears in the above-identified patent and that said Letters Patent is hereby corrected as shown below:

Title page, item [73] Assignee: should read – Premium Products Ltd.--.

Signed and Sealed this  
Fourteenth Day of September, 1999

*Attest:*



Q. TODD DICKINSON

*Attesting Officer*

*Acting Commissioner of Patents and Trademarks*