



US00D393275S

United States Patent [19]

Andrenacci

[11] Patent Number: **Des. 393,275**

[45] Date of Patent: ****Apr. 7, 1998**

[54] V-SHAPED MOUNT FOR ACOUSTIC GUITAR PICKUPS

[76] Inventor: **Leonard L. Andrenacci**, P.O. Box 1461, North Fork, Calif. 93643

[**] Term: **14 Years**

[21] Appl. No.: **54,149**

[22] Filed: **May 7, 1996**

[51] LOC (6) Cl. **17-03**

[52] U.S. Cl. **D17/20**

[58] Field of Search **D17/14, 15, 18-21; 84/723, 726, 743**

[56] References Cited

U.S. PATENT DOCUMENTS

D. 309,746	8/1990	Gressett, Jr.	D17/21
2,770,159	11/1956	Kato	84/404
4,394,830	7/1983	Damiano	84/726
5,012,716	5/1991	Pagelli	84/743
5,401,900	3/1995	Lace	84/743

OTHER PUBLICATIONS

Instruction sheet for Pro-Mag Pickup (admitted prior art).
Advertising Flyer for DeArmond Flat-Top Acoustic Guitar Pickups (admitted prior art).

Primary Examiner—Philip S. Hyder
Assistant Examiner—Adir Aronovich
Attorney, Agent, or Firm—Mark D. Miller

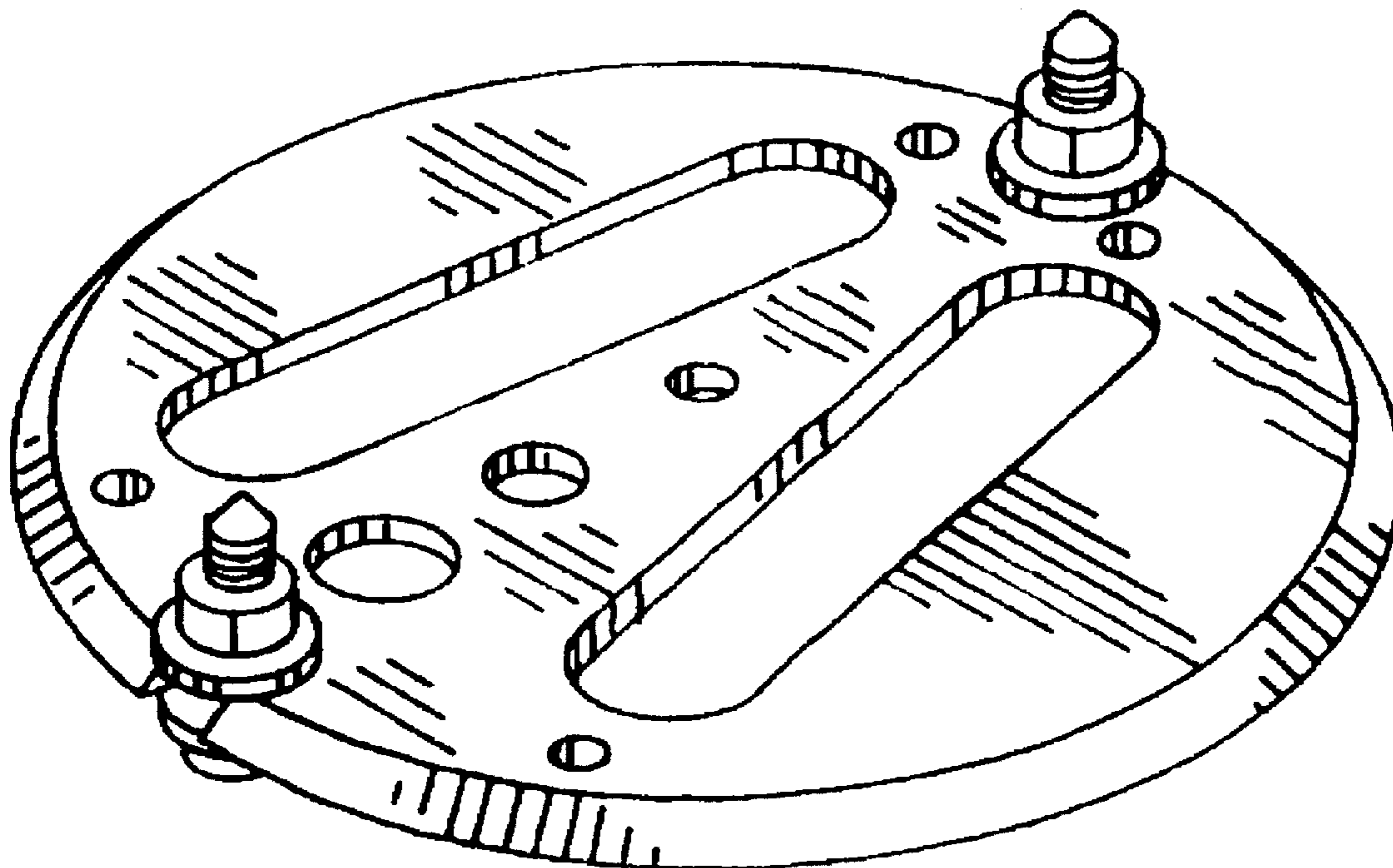
[57] CLAIM

The ornamental design for a V-shaped mount for acoustic guitar pickups, as shown and described.

DESCRIPTION

FIG. 1 is a bottom perspective view of the V-shaped mount for acoustic guitar pickups showing my new design; FIG. 2 is a bottom plan view thereof; FIG. 3 is a top plan view thereof; FIG. 4 is a side elevational view thereof; and, FIG. 5 is a side elevational view thereof rotated 90 degrees from the view of FIG. 4.

1 Claim, 1 Drawing Sheet



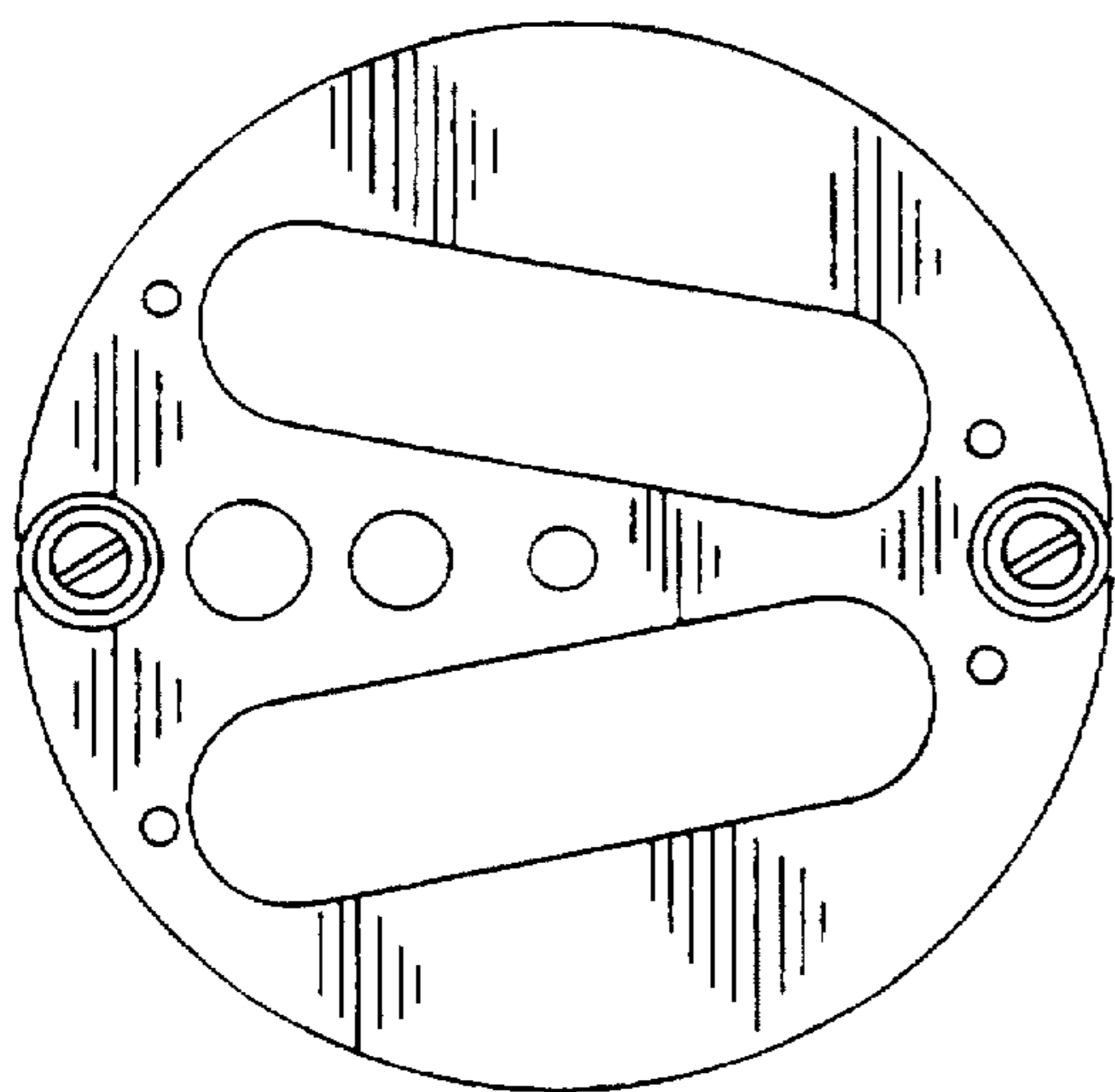


FIG. 3

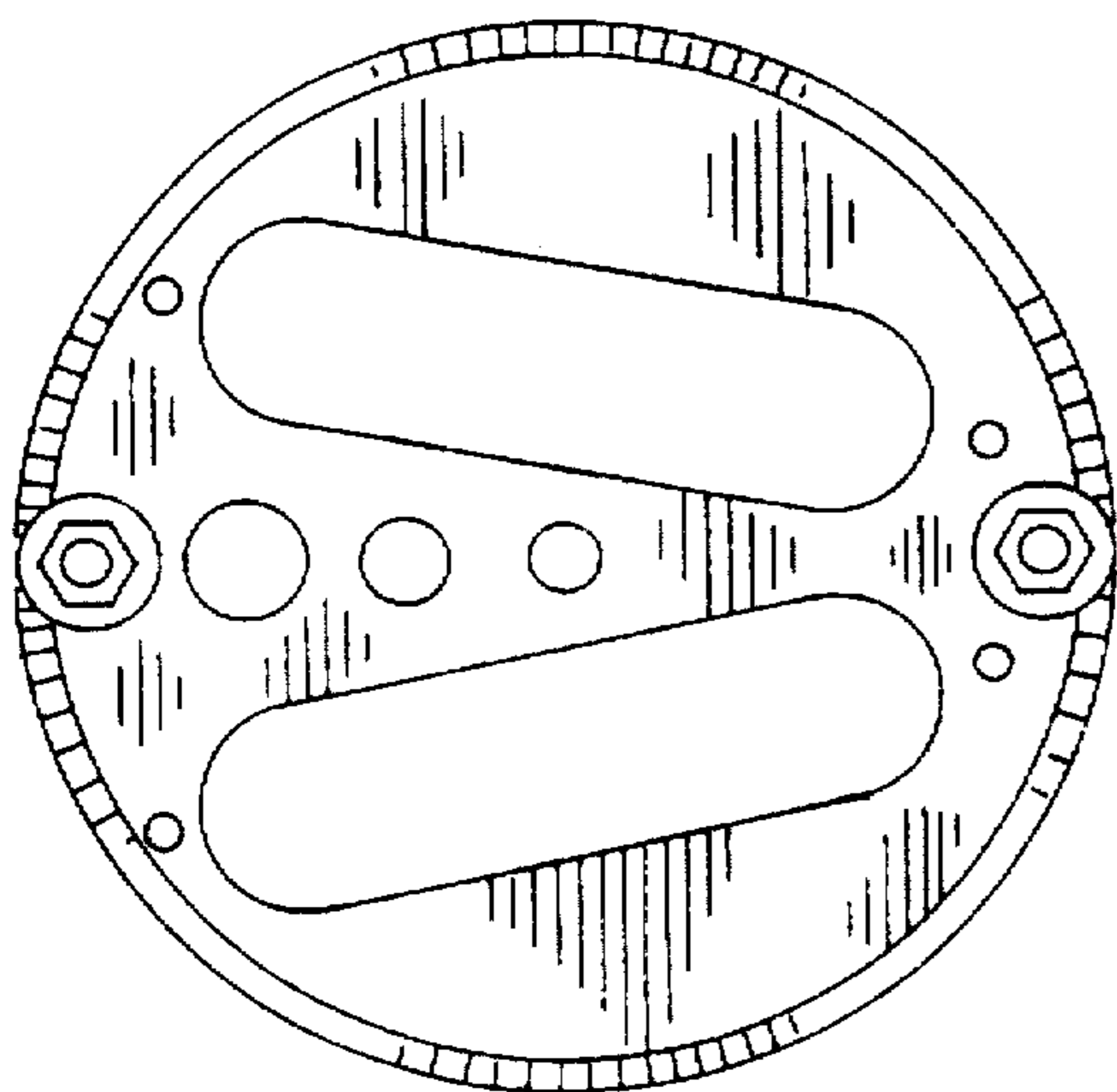


FIG. 2

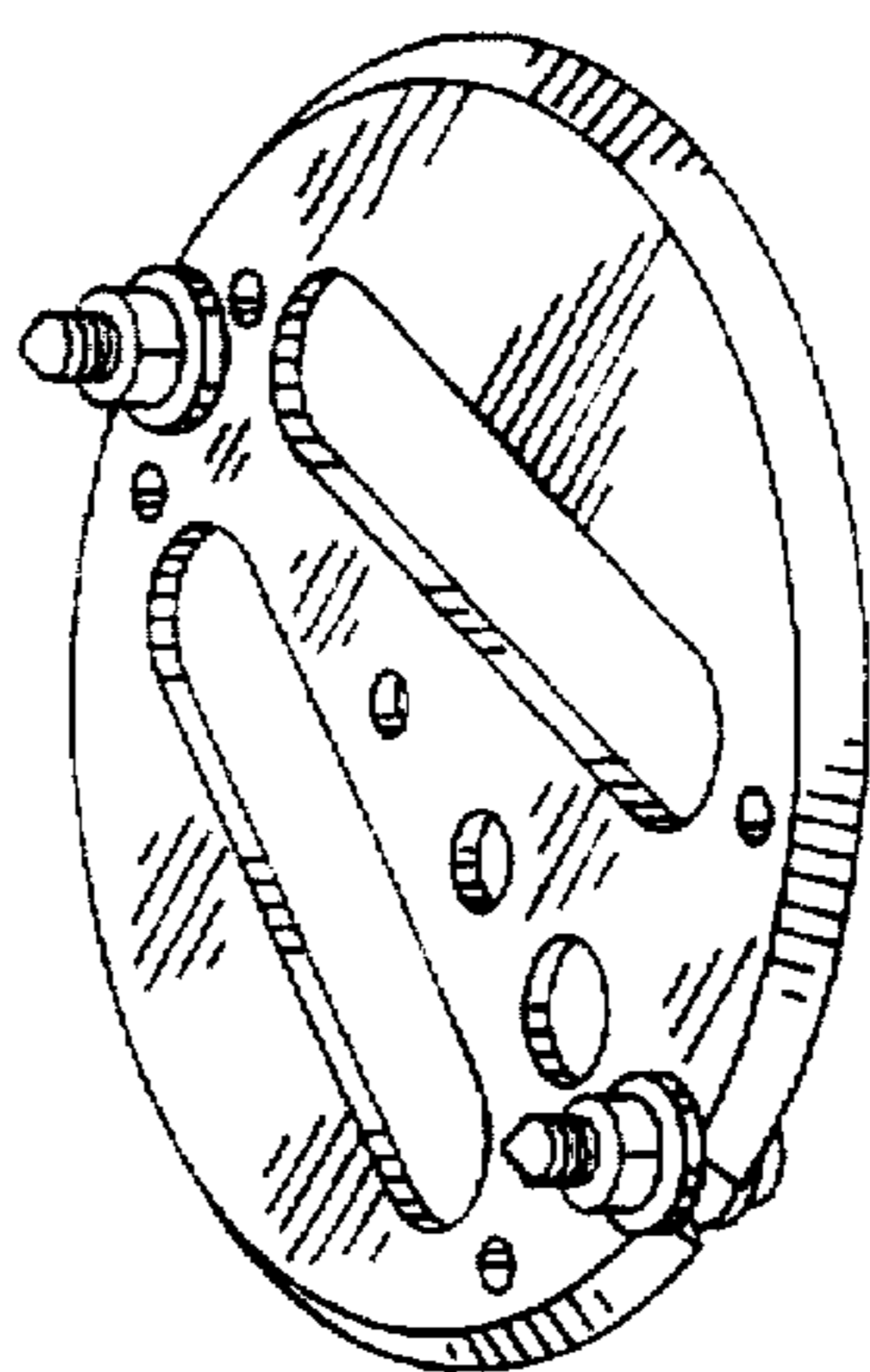


FIG. 1

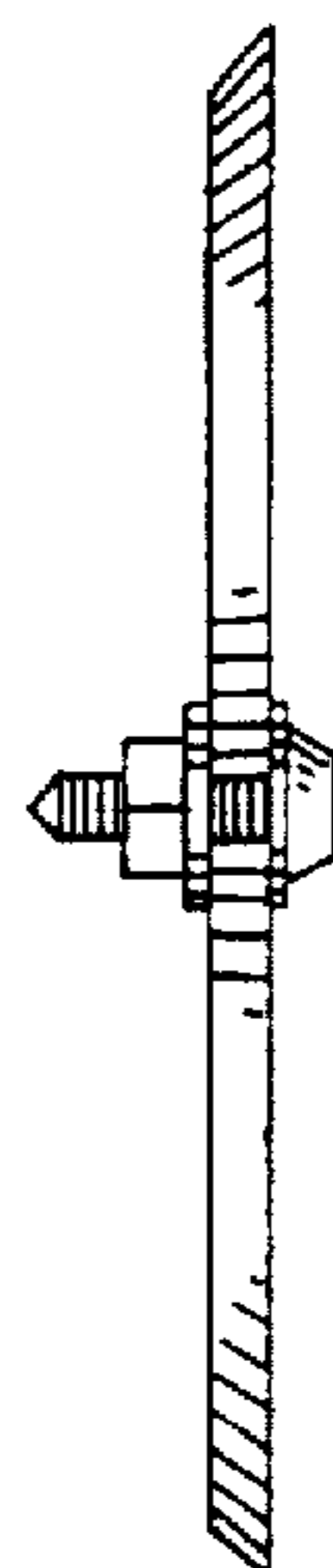


FIG. 5

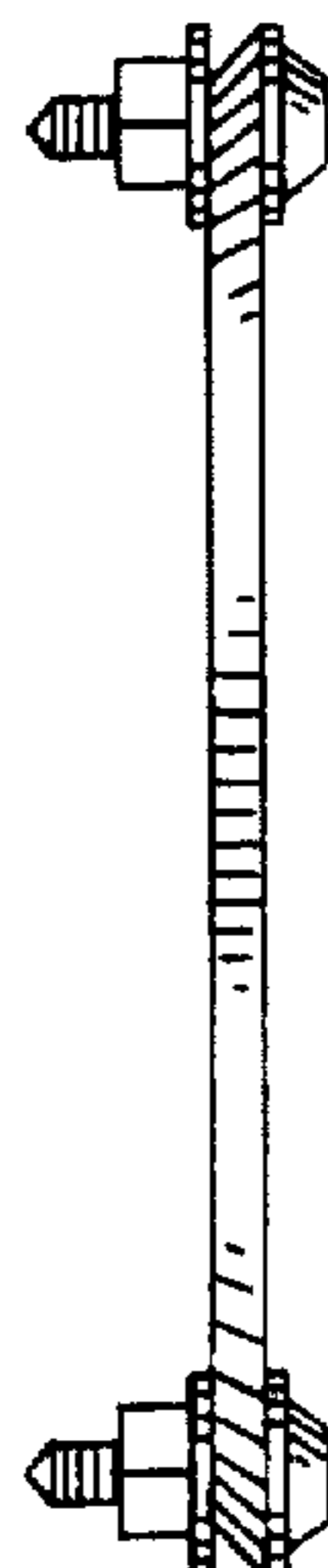


FIG. 4