



US00D393271S

United States Patent [19]

Conner et al.

[11] Patent Number: Des. 393,271

[45] Date of Patent: **Apr. 7, 1998

[54] **AGGLUTINATION VIEWER WITH FIBER OPTIC LIGHT PIPE AND MAGNETIC MAGNIFYING MIRROR**

[75] Inventors: **Patrick M. Conner**, Pembroke Pines, Fla.; **Duane M. Durkos**, Zionsville; **Ben D. Taylor**, Carmel, both of Ind.

[73] Assignee: **Becton Dickinson and Company**, Franklin Lakes, N.J.

[**] Term: **14 Years**

[21] Appl. No.: **60,519**

[22] Filed: **Sep. 30, 1996**

[51] LOC (6) Cl. **16-06**

[52] U.S. Cl. **D16/130; D16/135; D24/136**

[58] Field of Search **D16/130, 131, D16/135; D26/24, 27, 42; D24/169, 186; 362/109, 426, 31; 359/798, 827, 810, 811, 802**

[56] **References Cited**

U.S. PATENT DOCUMENTS

D. 336,655 6/1993 Lee D16/135

D. 371,605 7/1996 Wong et al. D24/169
D. 374,020 9/1996 Dumm D16/130 X
2,808,761 10/1957 De Grave, Jr. 359/798 X
3,249,114 5/1966 Gutridge 359/810 X
3,532,874 10/1970 Rosenast D26/27 X

Primary Examiner—Paula A. Mortimer
Attorney, Agent, or Firm—Bruce S. Weintrauf

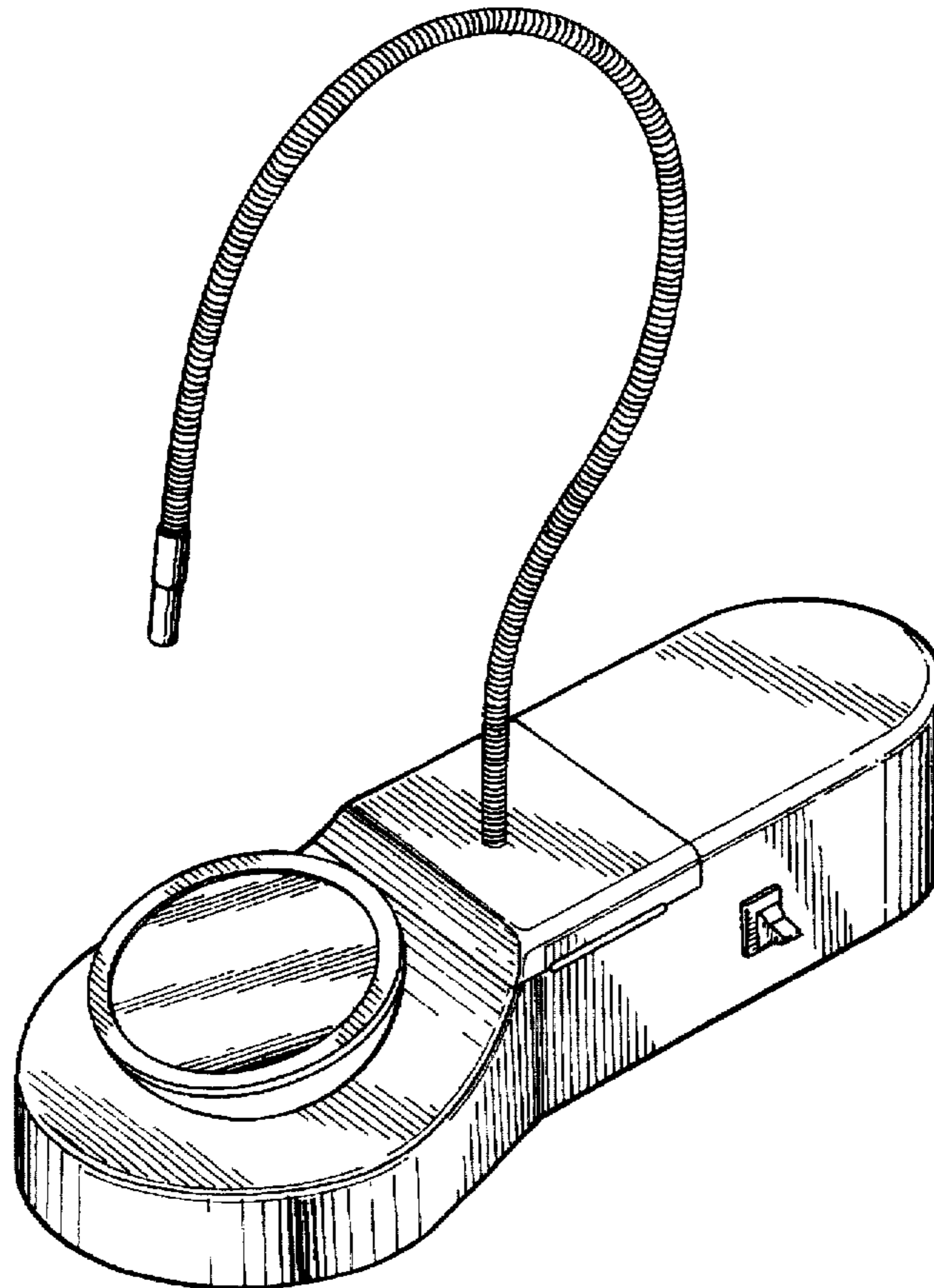
[57] **CLAIM**

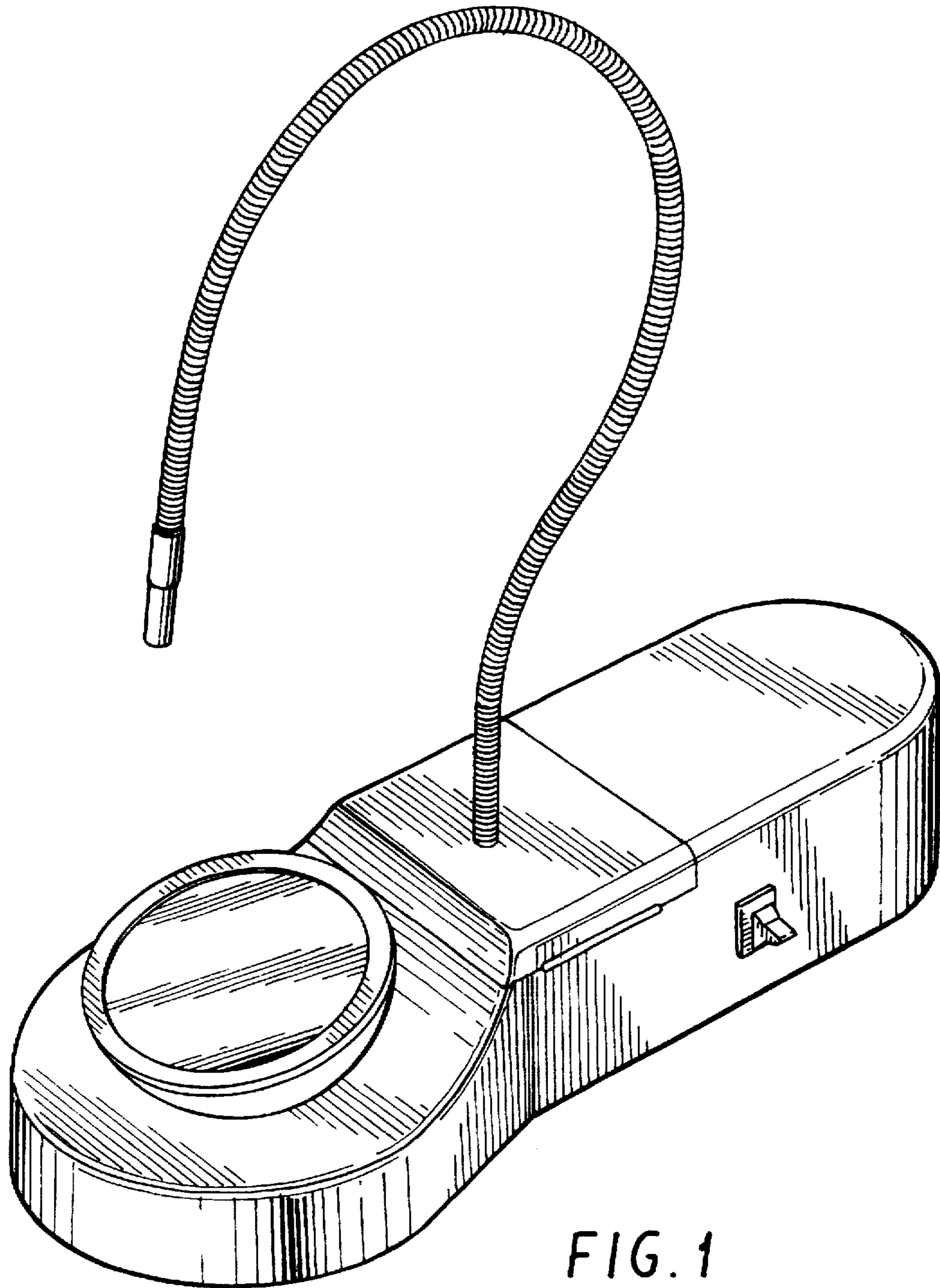
The ornamental design for an agglutination viewer with fiber optic light pipe and magnetic magnifying mirror, as shown and describe.

DESCRIPTION

FIG. 1 is a left front perspective view of an agglutination viewer with fiber optic light pipe and magnetic magnifying mirror showing our new design;
FIG. 2 is a right side elevational view thereof;
FIG. 3 is a top plan view thereof;
FIG. 4 is a bottom plan view thereof;
FIG. 5 is a front elevational view thereof; and,
FIG. 6 is a rear elevational view thereof.

1 Claim, 5 Drawing Sheets





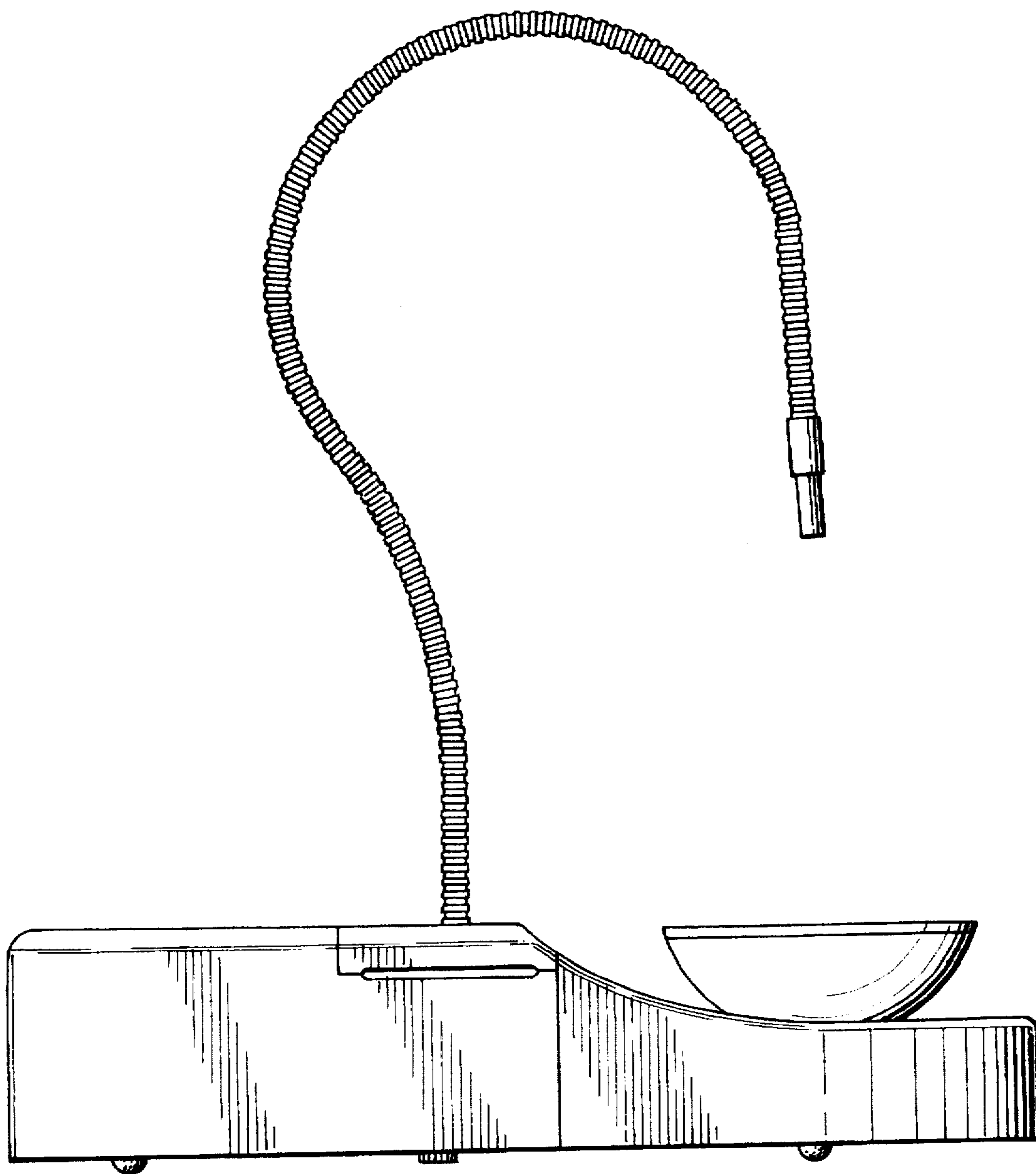


FIG. 2

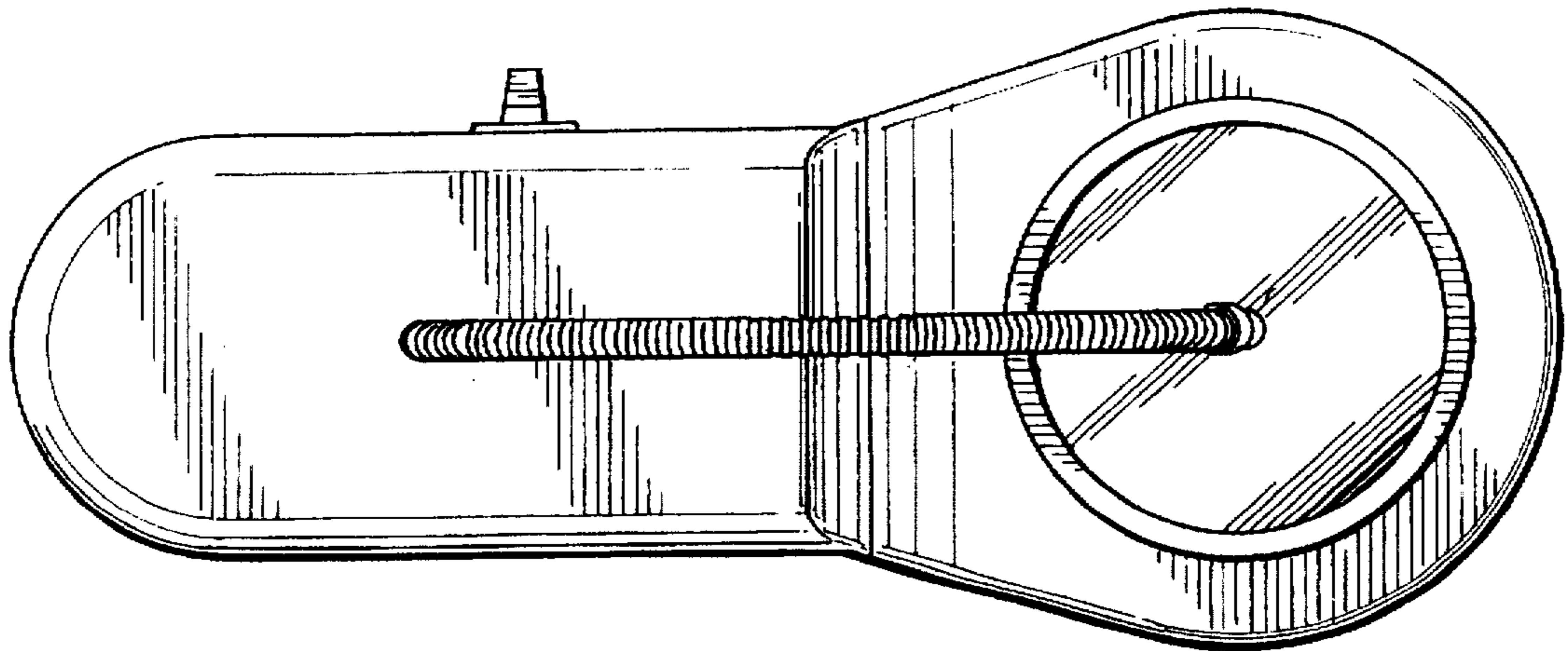


FIG. 3

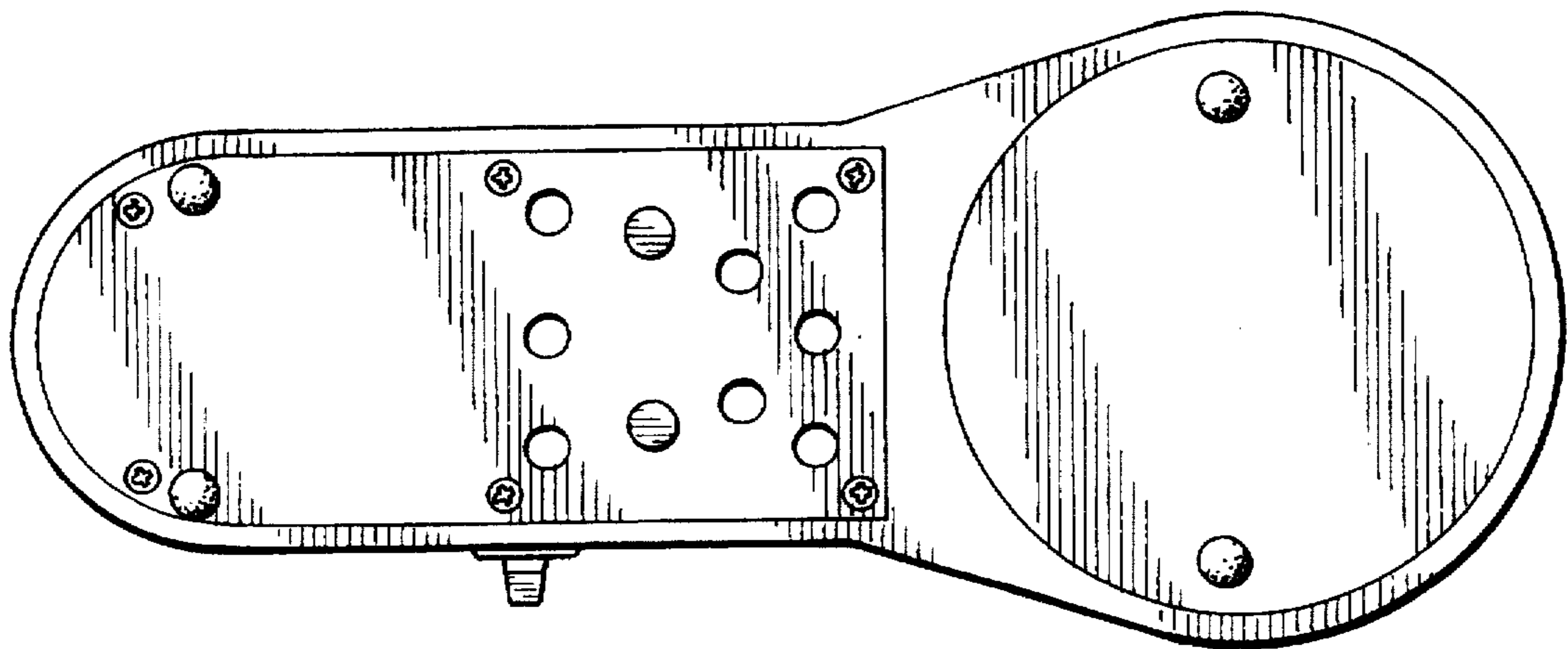


FIG. 4

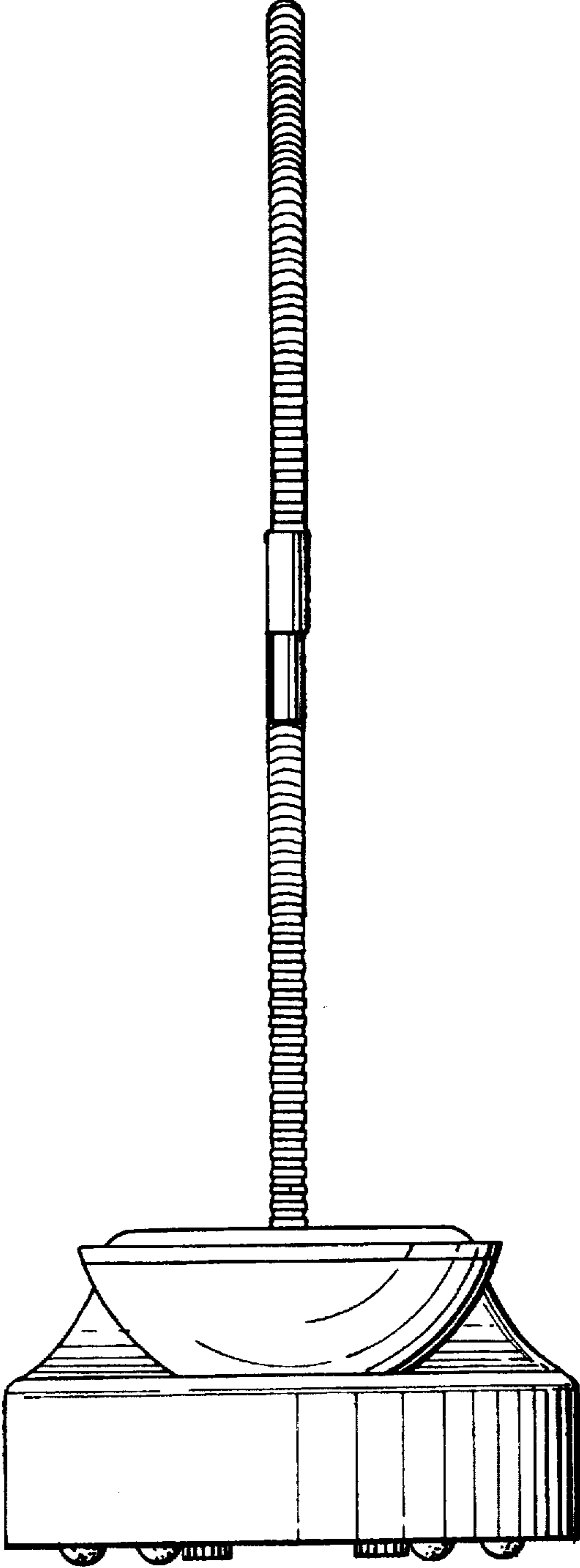


FIG. 5

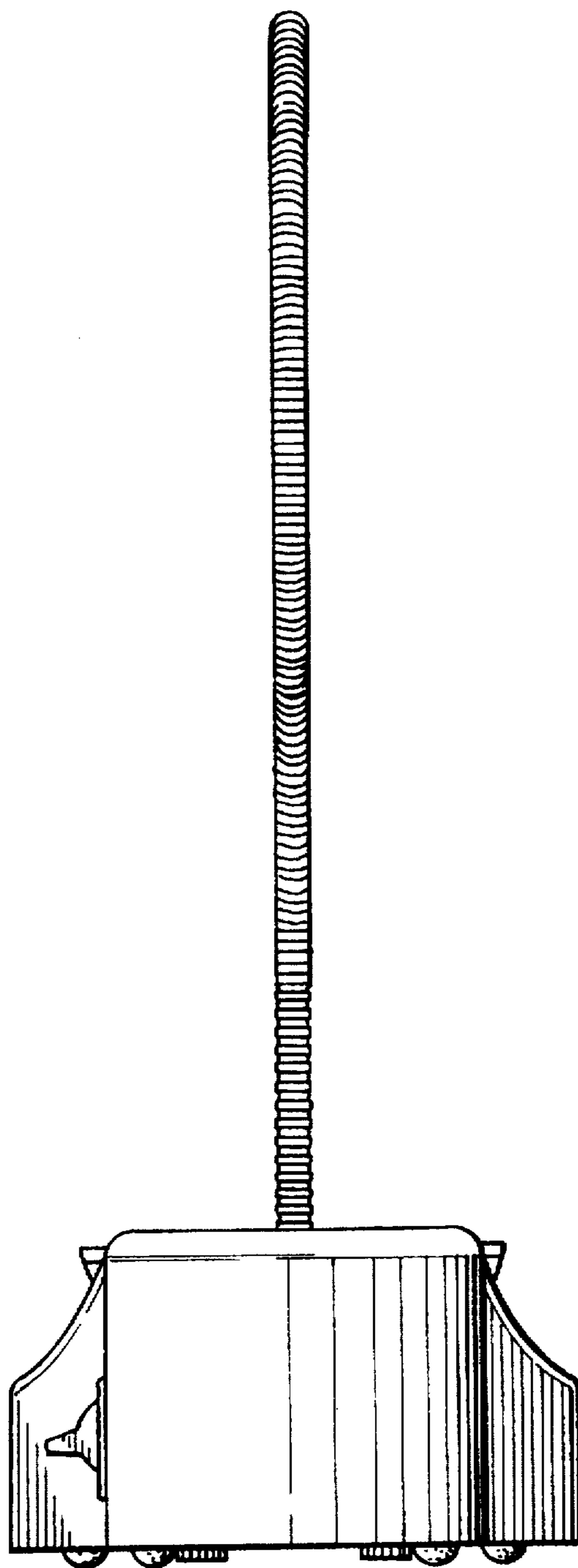


FIG. 6