



US00D393268S

# United States Patent [19]

Tachinou et al.

[11] Patent Number: Des. 393,268

[45] Date of Patent: \*\*Apr. 7, 1998

[54] COUNTERWEIGHT FOR AN EXCAVATOR

3,419,156	12/1968	Mork .....	212/178
3,490,787	1/1970	Latterman et al. ....	212/178
5,141,195	8/1992	Toda et al. ....	212/178

[75] Inventors: Masaaki Tachinou, Hiroshima; Shigeo Maenaka, Ogaki, both of Japan

Primary Examiner—Sandra L. Morris  
Attorney, Agent, or Firm—Oblon, Spivak, McClelland, Maier & Neustadt, P.C.

[73] Assignee: Kabushiki Kaisha Kobe Seiko Sho, Kobe, Japan

[\*\*] Term: 14 Years

### [57] CLAIM

[21] Appl. No.: 54,292

The ornamental design for a counterweight for an excavator, as shown and described.

[22] Filed: May 9, 1996

### DESCRIPTION

#### [30] Foreign Application Priority Data

Nov. 9, 1995 [JP] Japan ..... 7-33751

FIG. 1 is a rear elevational of a counterweight for an excavator, embodying our new design;  
FIG. 2 is a right side elevational view thereof;  
FIG. 3 is a left side elevational view thereof;  
FIG. 4 is a top plan view thereof;  
FIG. 5 is a bottom plan view thereof; and,  
FIG. 6 is a top, rear and right side perspective view thereof.  
The broken line showing of the excavator is for illustrative purposes only and forms no part of the claimed design.

[51] LOC (6) Cl. .... 15-04

[52] U.S. Cl. .... D15/28

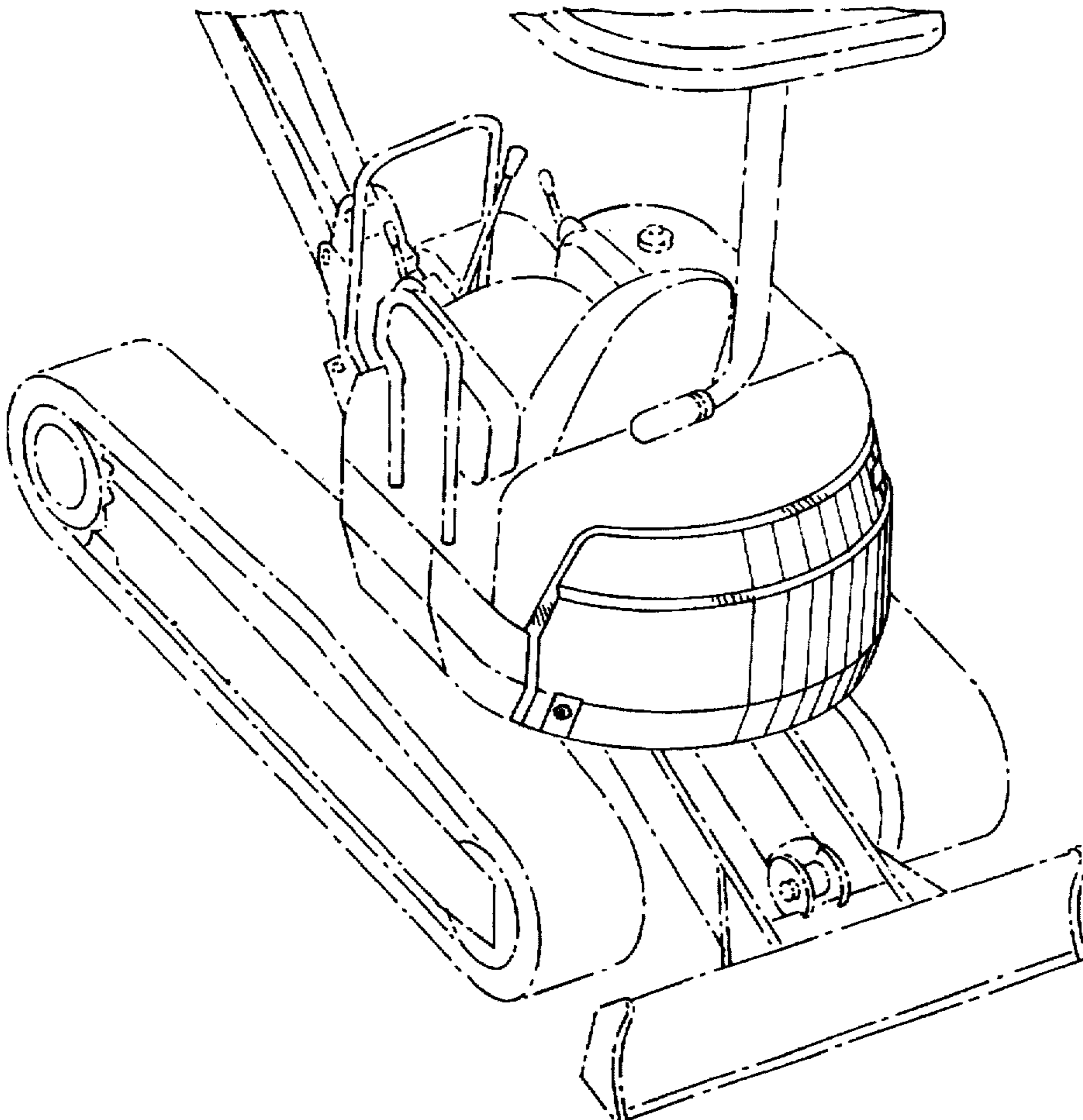
[58] Field of Search ..... D15/10, 22-25,  
D15/28; 212/178, 197; 414/719

#### [56] References Cited

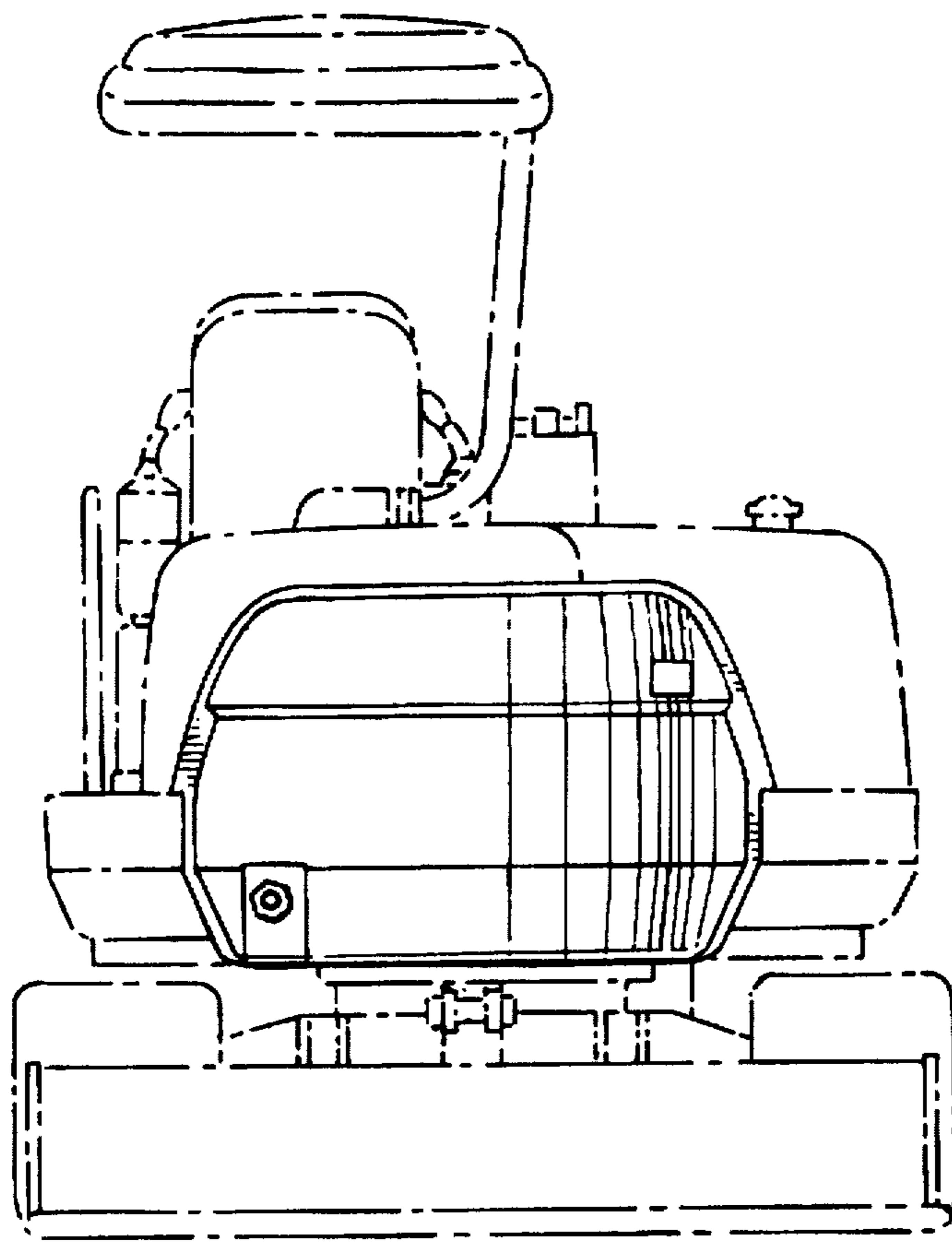
##### U.S. PATENT DOCUMENTS

D. 338,019 8/1993 Bhabra ..... D15/25

1 Claim, 6 Drawing Sheets



*FIG. 1*



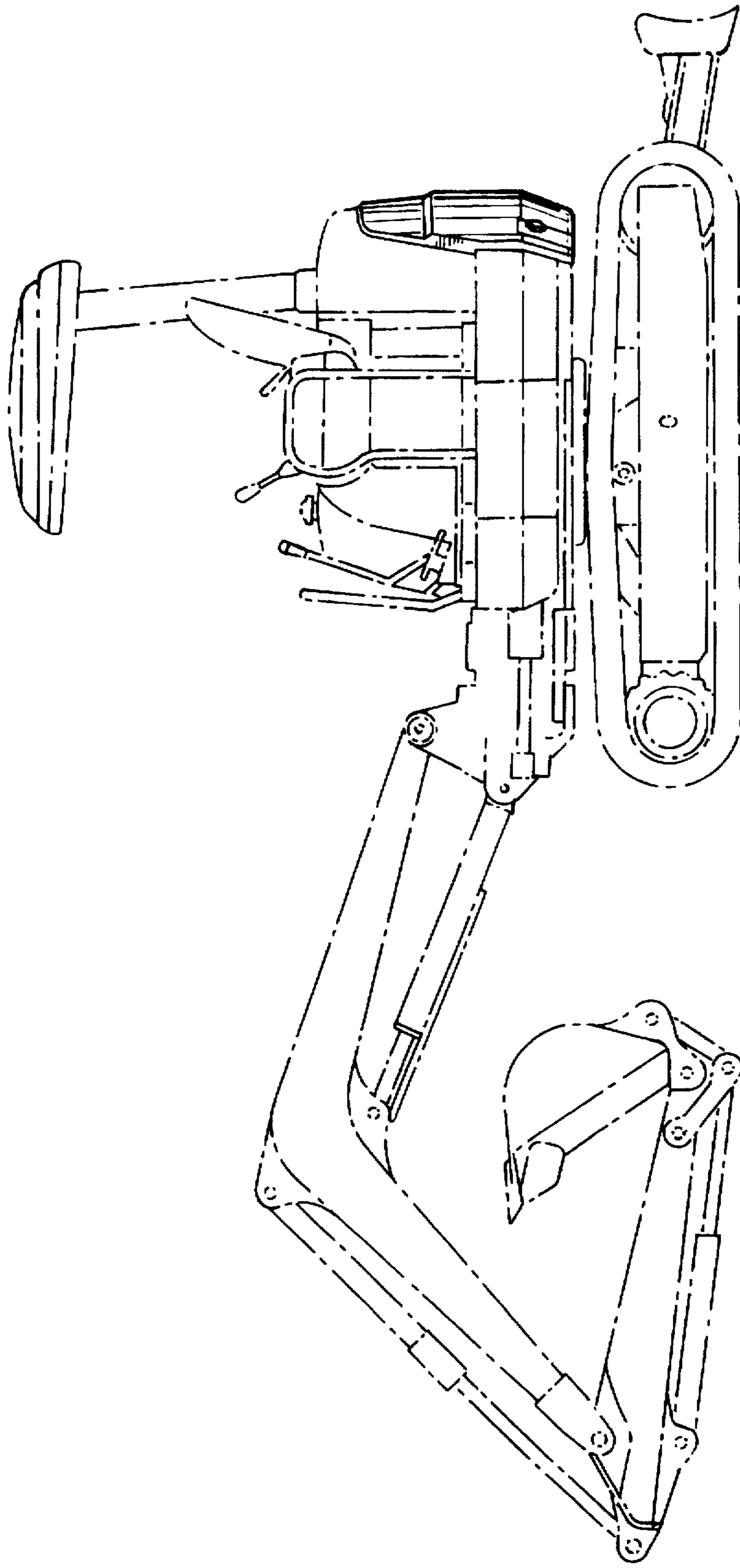


FIG. 2

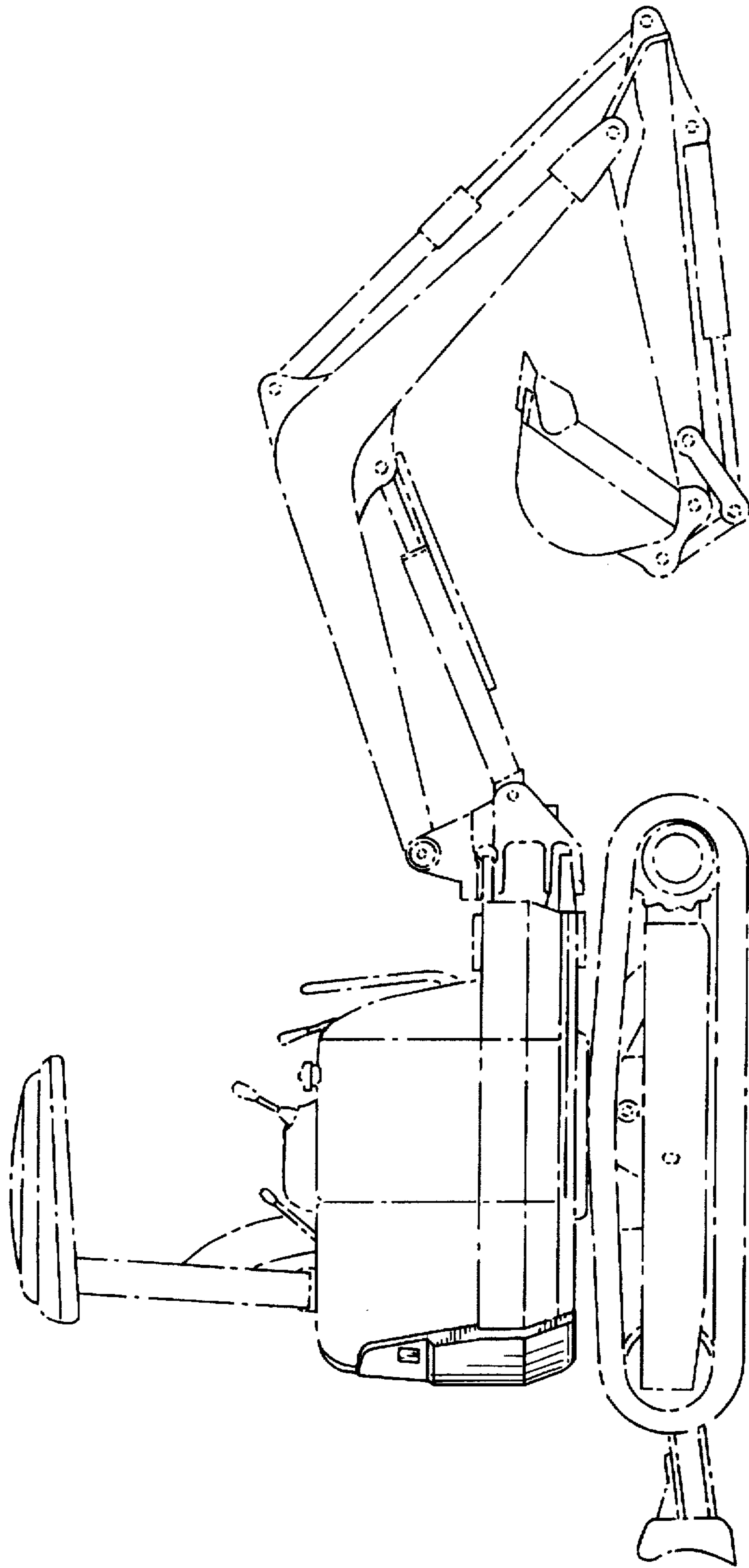


FIG. 3

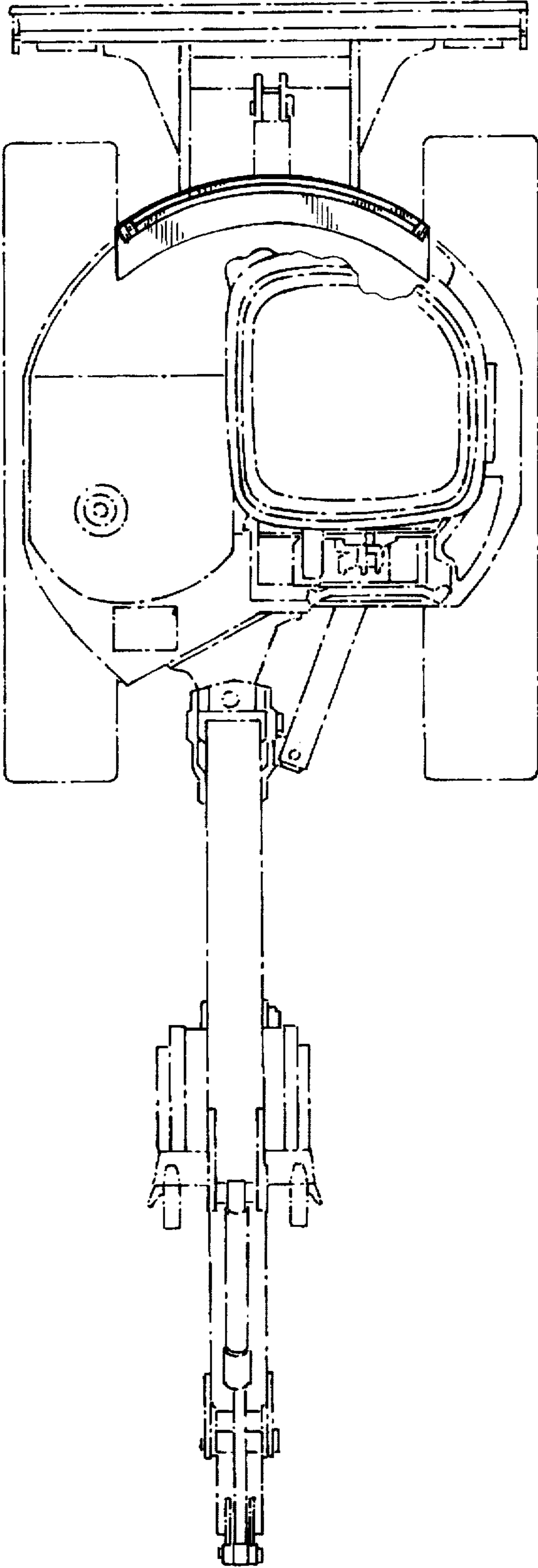


FIG. 4

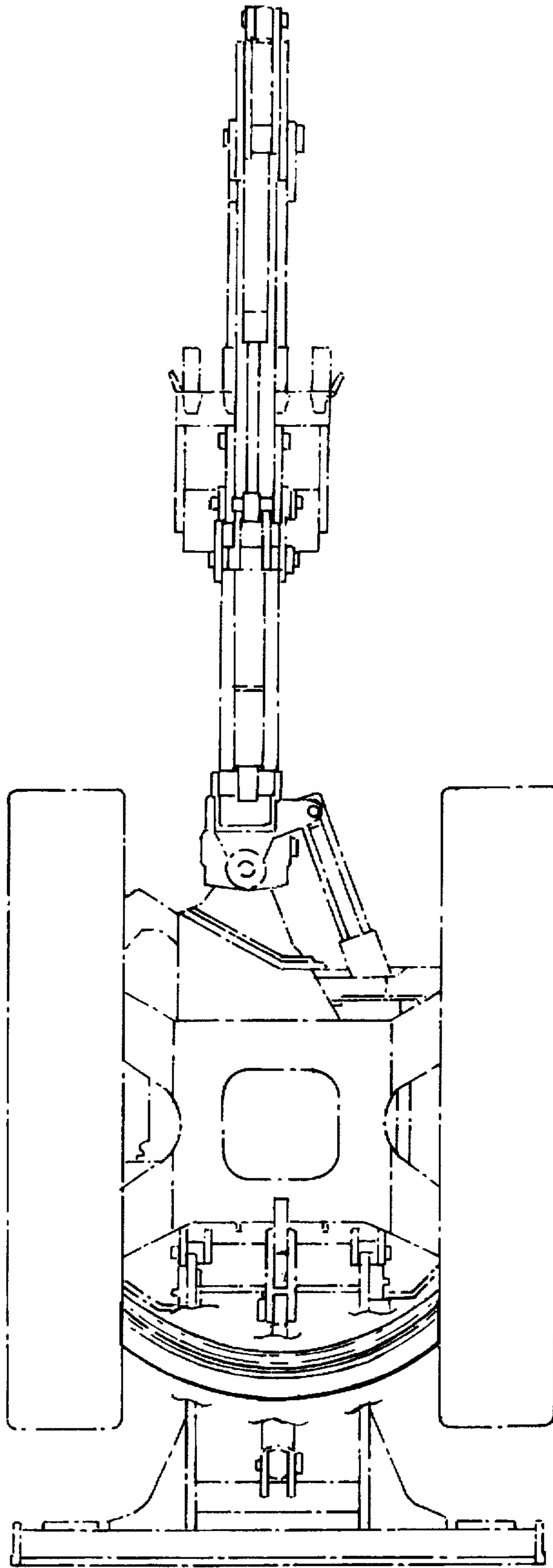


FIG. 5

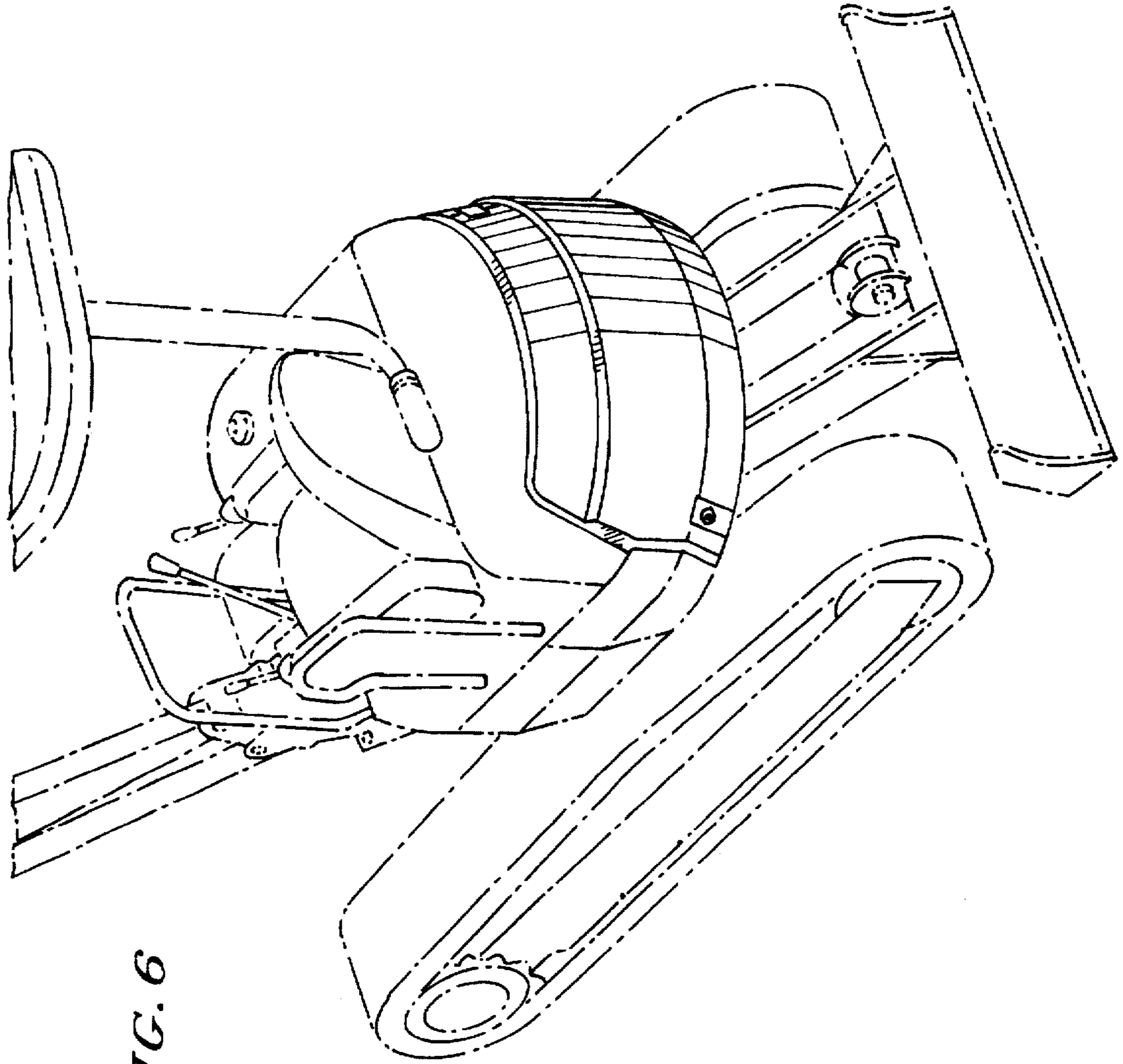


FIG. 6