



US00D393266S

**United States Patent** [19]  
**Hathaway**

[11] **Patent Number: Des. 393,266**  
[45] **Date of Patent: \*\*Apr. 7, 1998**

[54] **COMBINED HOUSING, OPERATIVE HANDLE AND BASE FOR A VOLUMETRIC PUMP**

[75] **Inventor: John E. Hathaway, Fort Wayne, Ind.**

[73] **Assignee: Fill-Rite Corporation, Fort Wayne, Ind.**

[\*\*] **Term: 14 Years**

[21] **Appl. No.: 63,889**

[22] **Filed: Dec. 18, 1996**

[51] **LOC (6) Cl. .... 15-02**

[52] **U.S. Cl. .... D15/7**

[58] **Field of Search ..... D15/7-9.2; 417/424.1, 417/404; 210/348**

[56] **References Cited**

**U.S. PATENT DOCUMENTS**

14,734	4/1856	Palmer .	
D. 244,750	6/1977	Roberts et al. ....	D15/7
D. 259,261	5/1981	MacLaren .....	D15/7
D. 321,352	11/1991	Vann .....	D15/7
D. 339,810	9/1993	Hansen .....	D15/7
1,548,120	8/1925	Dourson .	
2,366,451	1/1945	McNeal .....	210/348
2,563,930	8/1951	Hamann et al. .	
2,798,647	7/1957	Broadwin .	

3,337,095	8/1967	Marbach et al. .
3,341,078	9/1967	Cardillo .
4,195,672	4/1980	Freeman .
4,809,909	3/1989	Kukesh .
4,925,096	5/1990	Gill .
5,248,070	9/1993	Nolte et al. .
5,299,606	4/1994	Schrupp .

*Primary Examiner*—Ralf Seifert  
*Attorney, Agent, or Firm*—Barnes & Thornburg

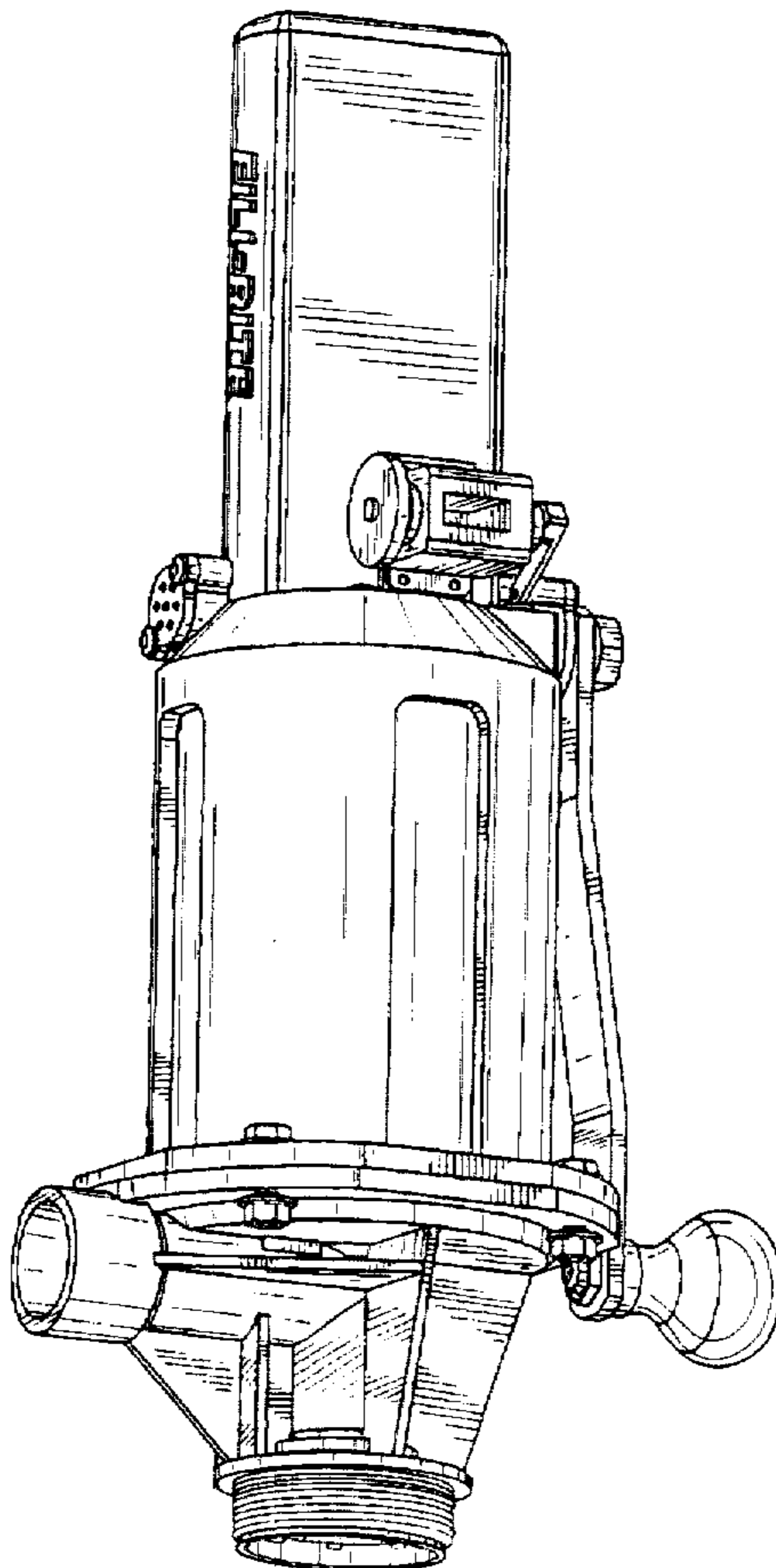
[57] **CLAIM**

The ornamental design for a combined housing, operative handle and base for a volumetric pump, as shown and described.

**DESCRIPTION**

FIG. 1 is a perspective view of a combined housing, operative handle, and base for a volumetric pump showing my new design;  
FIG. 2 is a front elevation view thereof;  
FIG. 3 is a left side elevation view thereof;  
FIG. 4 is a right side elevation view thereof;  
FIG. 5 is a rear elevation view thereof;  
FIG. 6 is a top plan view thereof; and  
FIG. 7 is a bottom plan view thereof; and,  
FIG. 8 is a perspective view of a combined housing, operative handle, and base for a volumetric pump which has an alternative handle design.

**1 Claim, 7 Drawing Sheets**



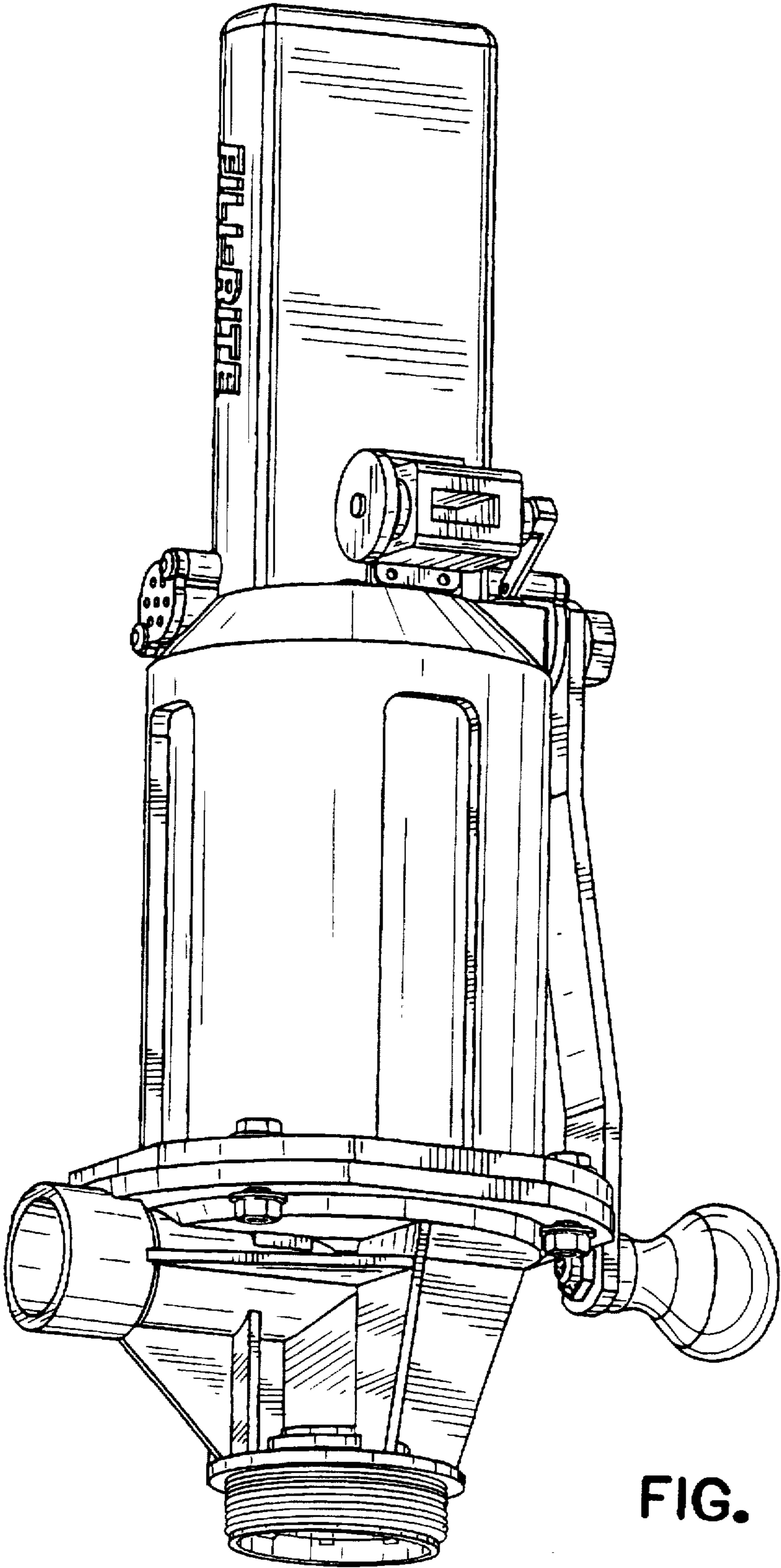


FIG. 1

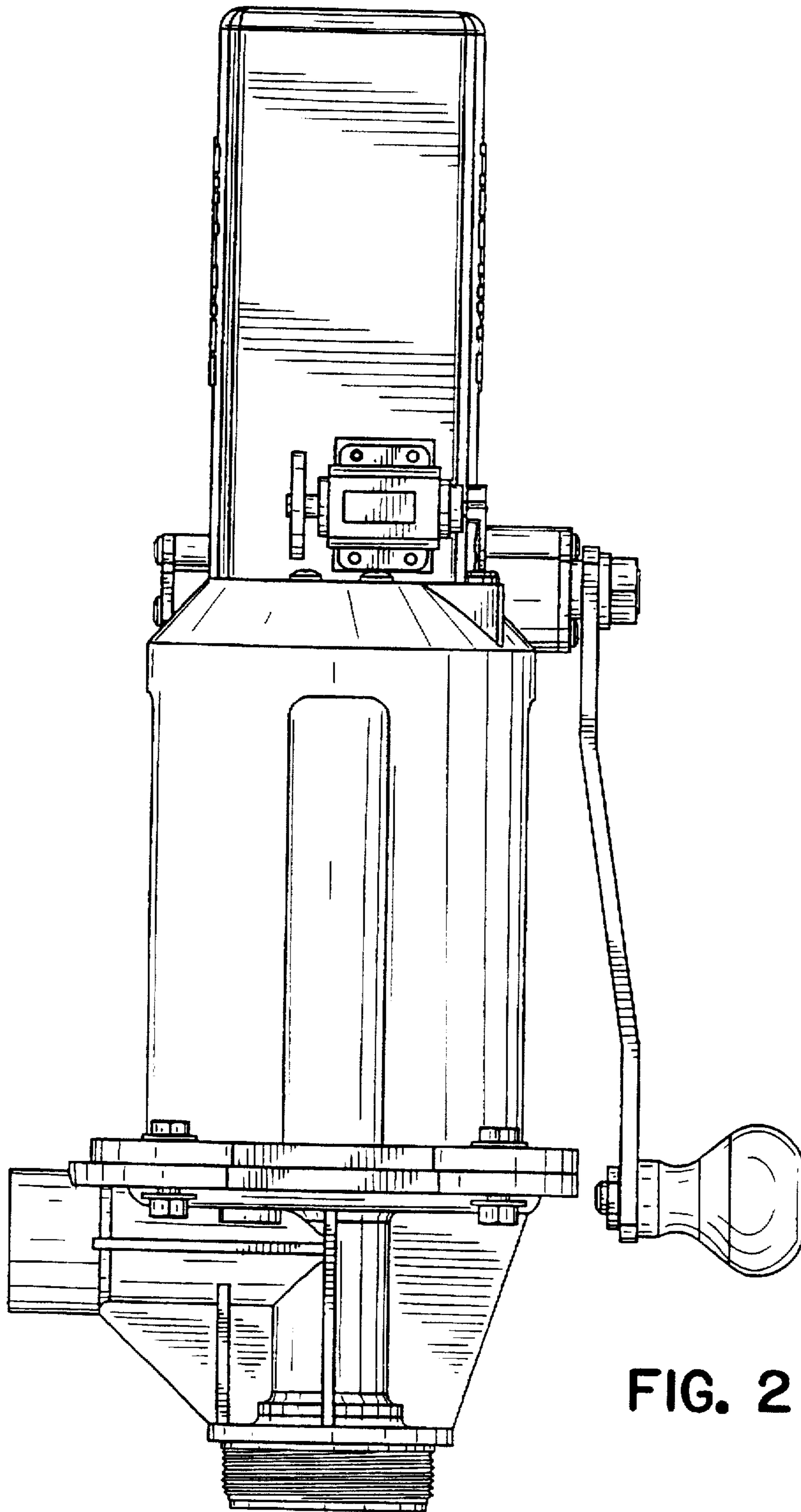


FIG. 2

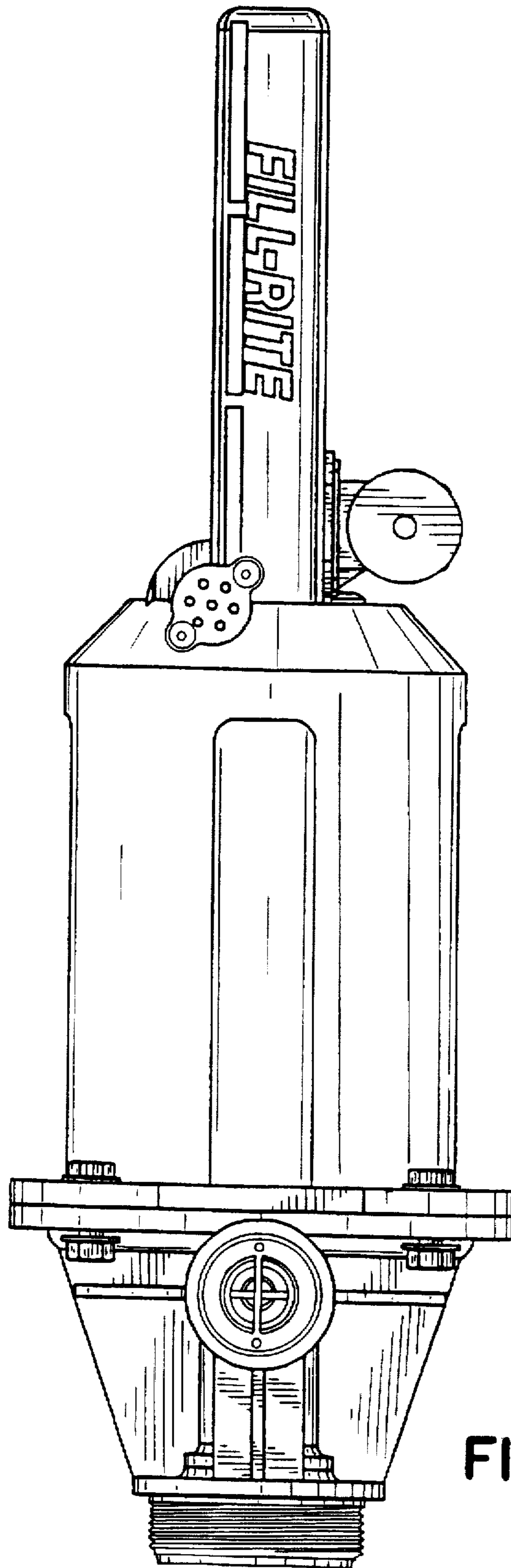


FIG. 3



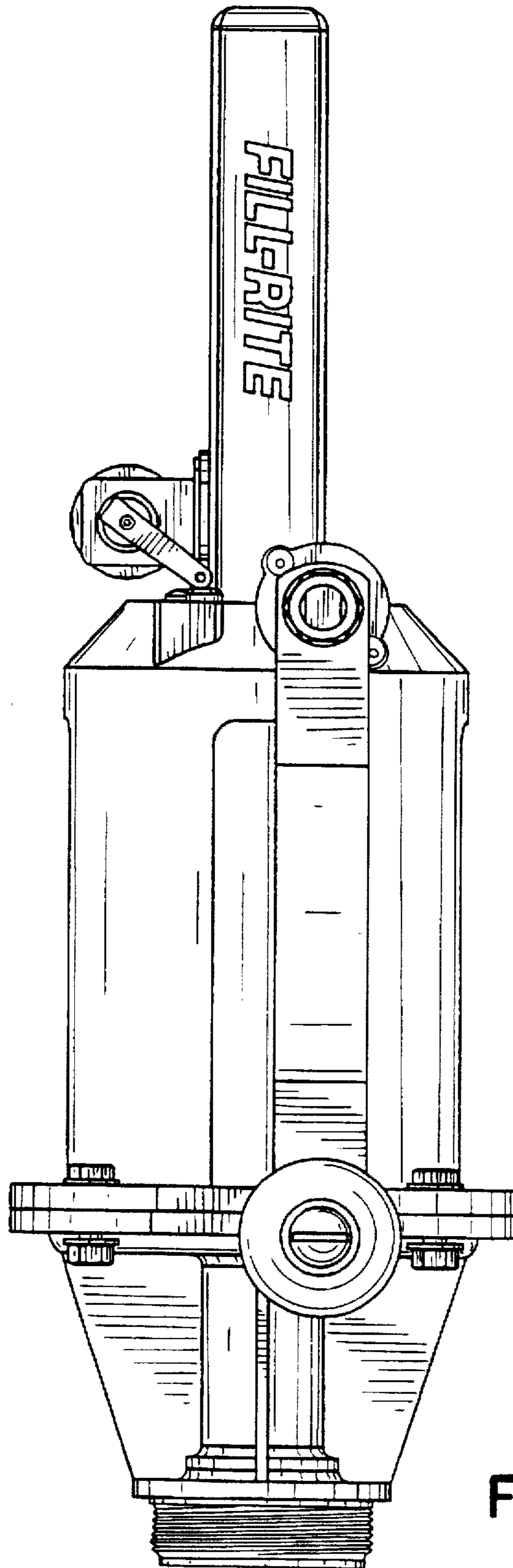


FIG. 4

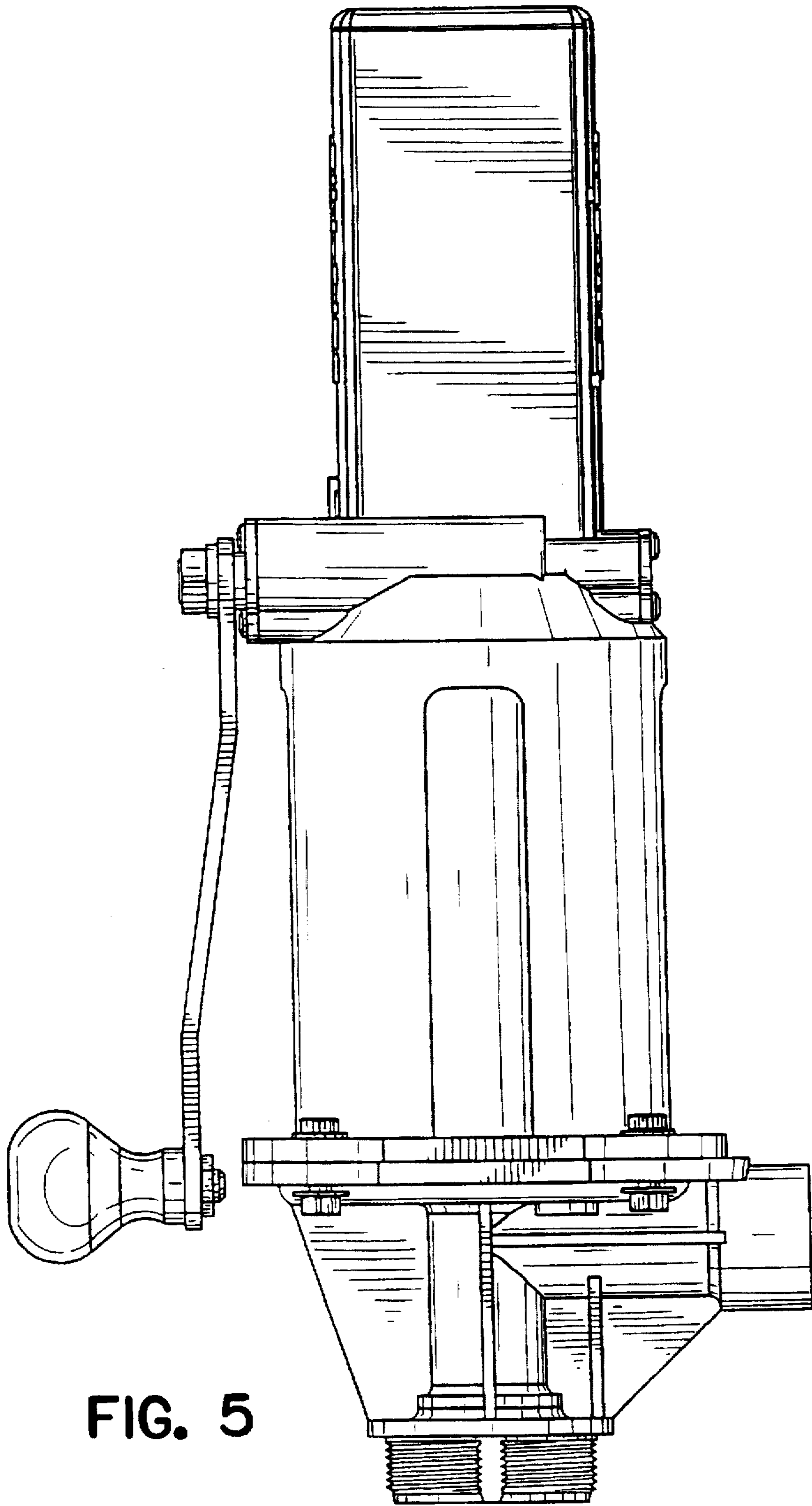


FIG. 5

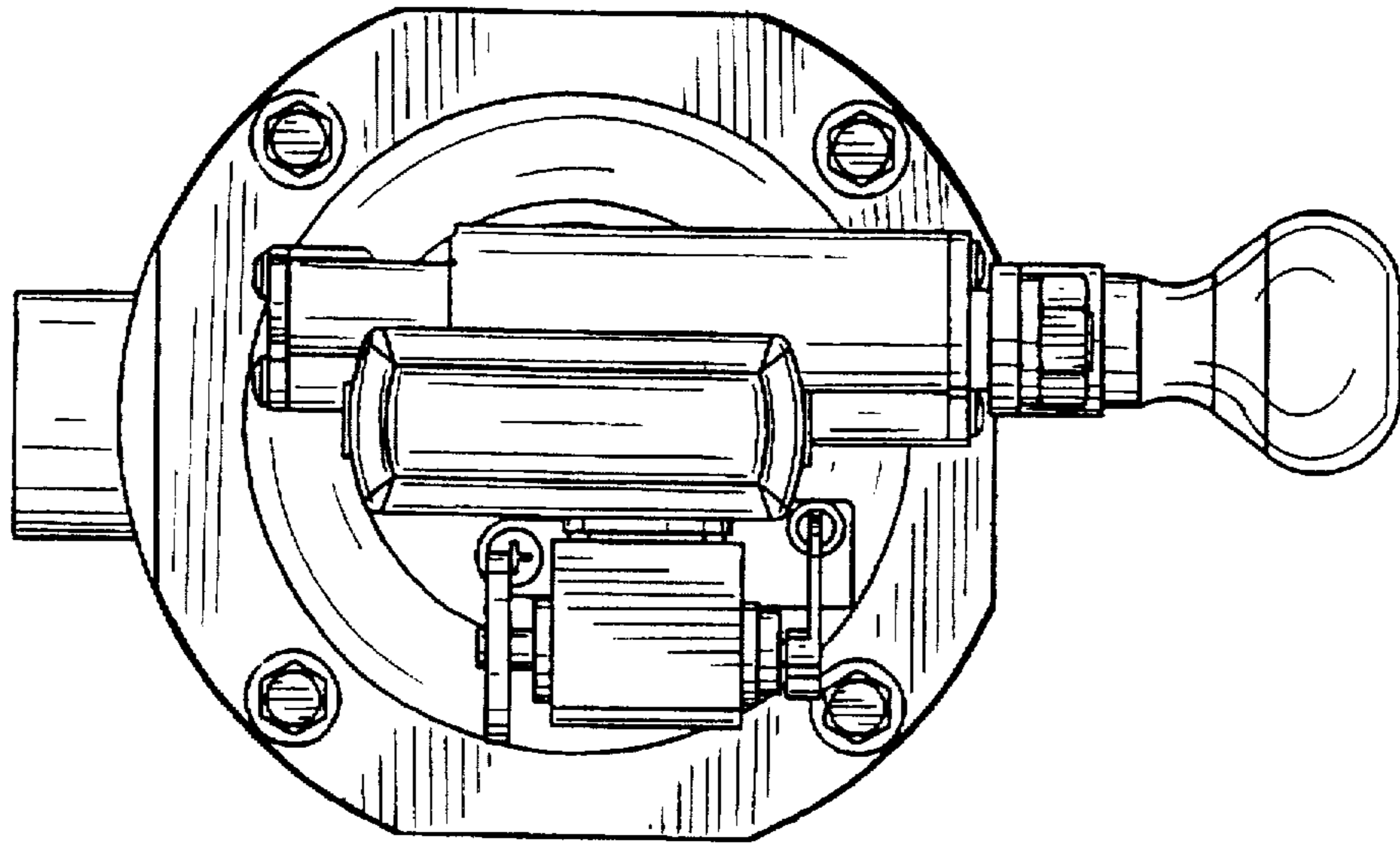


FIG. 6

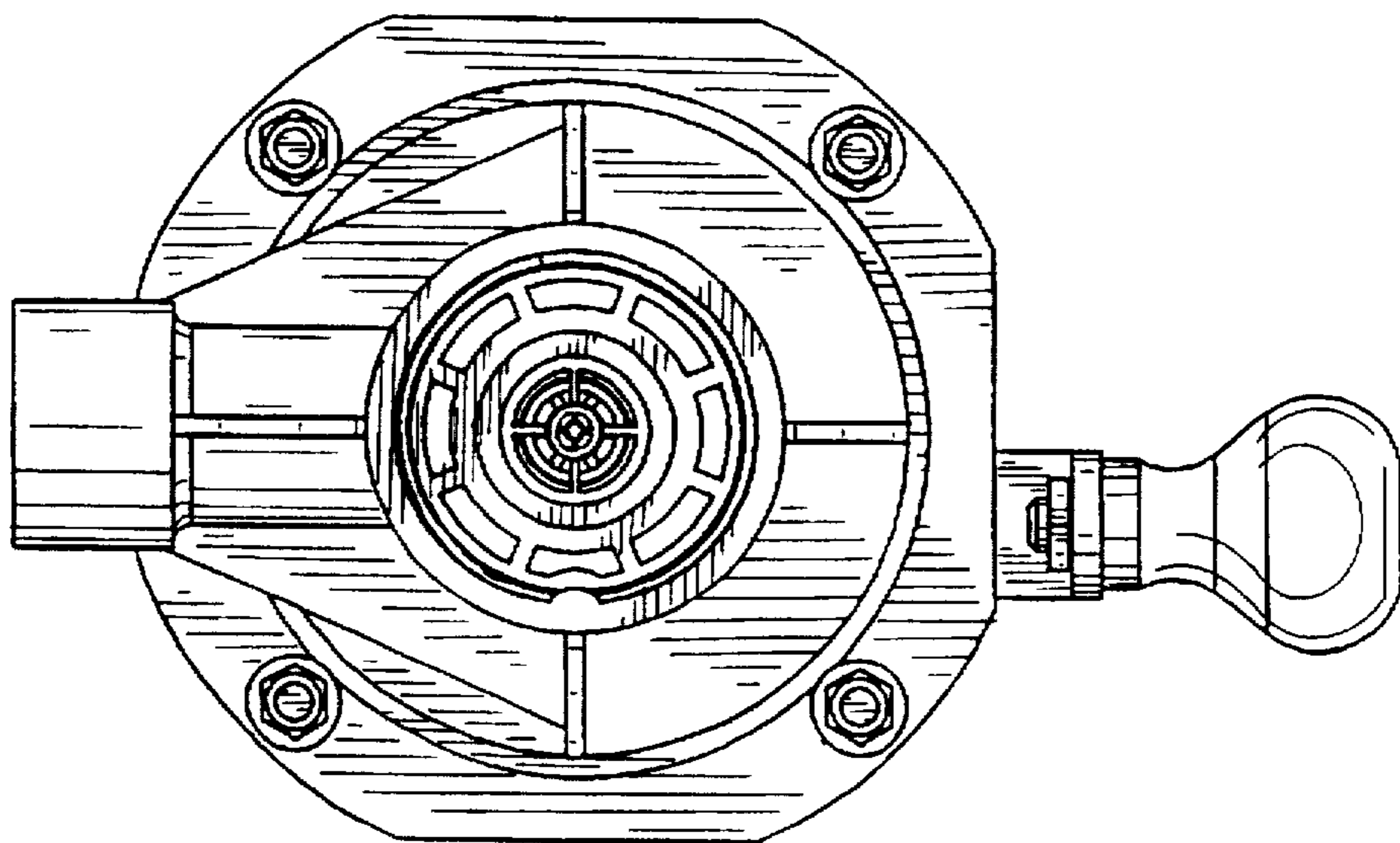


FIG. 7

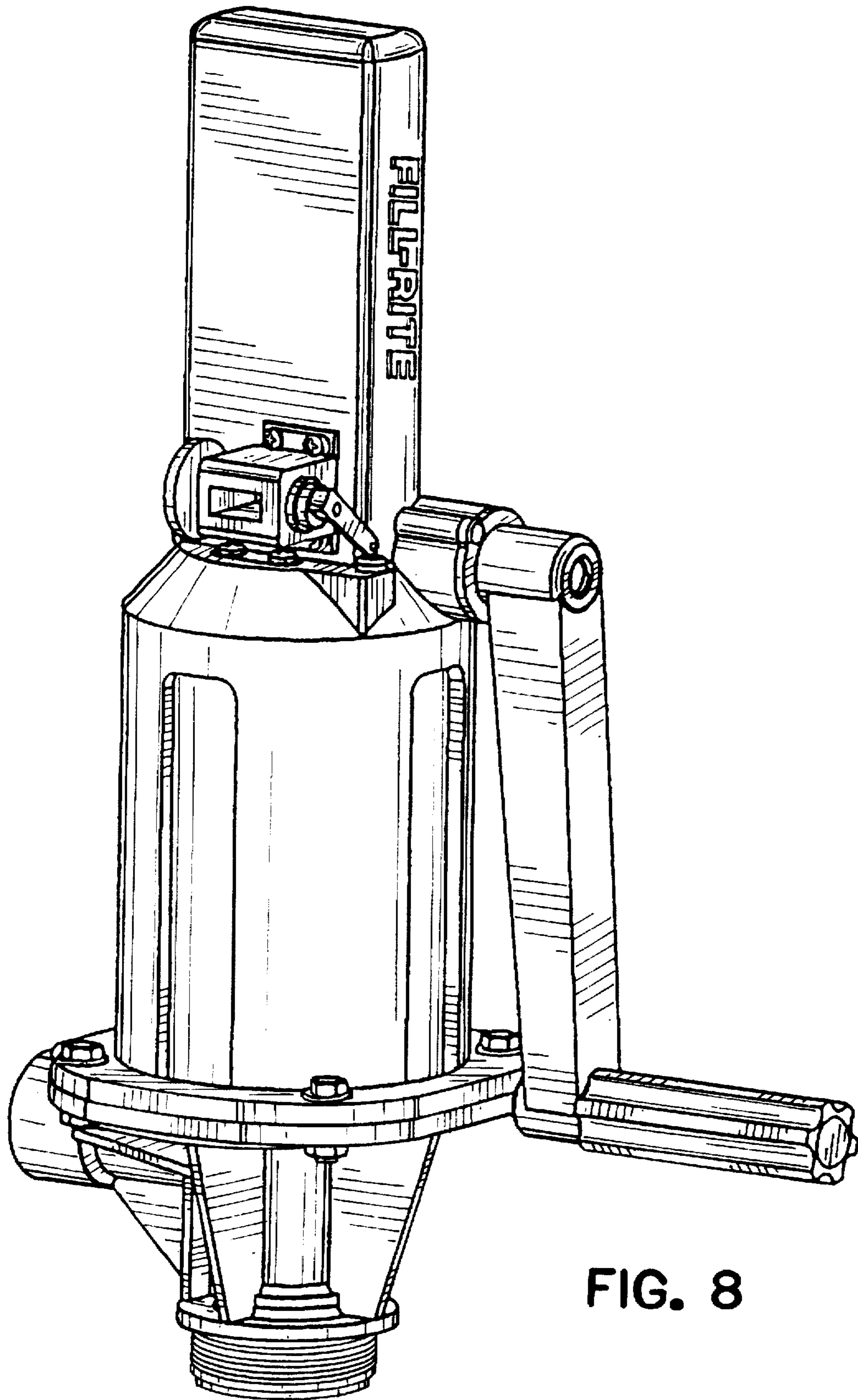


FIG. 8