



US00D393259S

# United States Patent [19]

[11] Patent Number: **Des. 393,259**

Poole et al.

[45] Date of Patent: **\*\*Apr. 7, 1998**

[54] **FRONT BEZEL FOR A FLOOR-STANDING PERSONAL COMPUTER**

*Primary Examiner*—Freda Nunn  
*Attorney, Agent, or Firm*—Schwegman, Lundberg, Woessner & Kluth, P.A.

[75] Inventors: **Anton Poole; James P. Collas**, both of Dakota Dunes, S. Dak.

[57] **CLAIM**

[73] Assignee: **Gateway 2000, Inc.**, North Sioux City, S. Dak.

The ornamental design for a front bezel for a floor-standing personal computer, as shown and described.

[\*\*] Term: **14 Years**

**DESCRIPTION**

[21] Appl. No.: **70,419**

FIG. 1 is a top front and right side perspective view of a front bezel for a floor standing personal computer incorporating a design according to the invention;

[22] Filed: **May 7, 1997**

[51] **LOC (6) Cl.** ..... **14-02**

[52] **U.S. Cl.** ..... **D14/115**

[58] **Field of Search** ..... D14/100, 102, D14/107-109; D13/162, 184, 199; D6/432, 436, 445, 448; 312/254, 292; 360/97.01, 97.04, 98.01, 99.01, 99.12; 361/683, 694, 696

FIG. 2 is a rear elevation of the front bezel of FIG. 1;

FIG. 3 is a left-side elevation of the front bezel of FIG. 1;

FIG. 4 is a sectional view of the front bezel of FIG. 1, taken along line 4-4 in FIG. 2;

FIG. 5 is a bottom plan of the front bezel of FIG. 1; and,

FIG. 6 is a perspective partial view of a personal computer including the front bezel of FIG. 1.

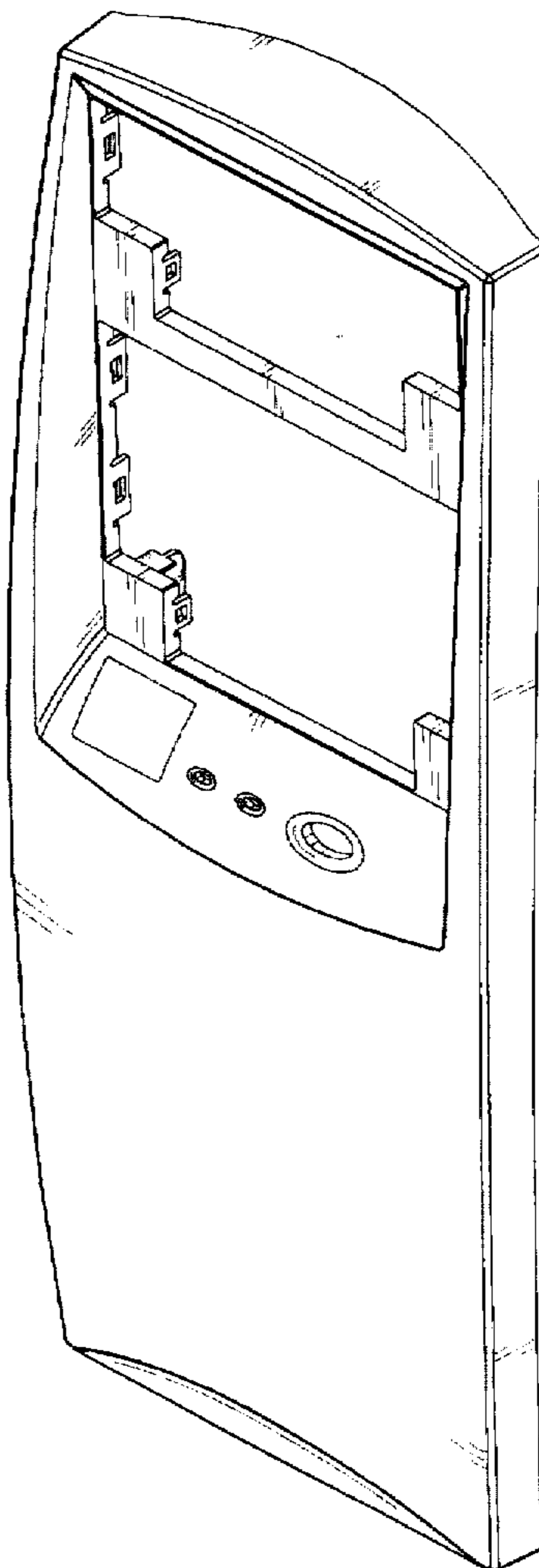
[56] **References Cited**

The broken lines in FIG. 6 are shown for illustrative purposes only, and form no part of the claimed design.

**U.S. PATENT DOCUMENTS**

- D. 369,792 5/1996 Paterson et al. .... D14/115
- D. 371,351 7/1996 Lai ..... D14/115

**1 Claim, 5 Drawing Sheets**



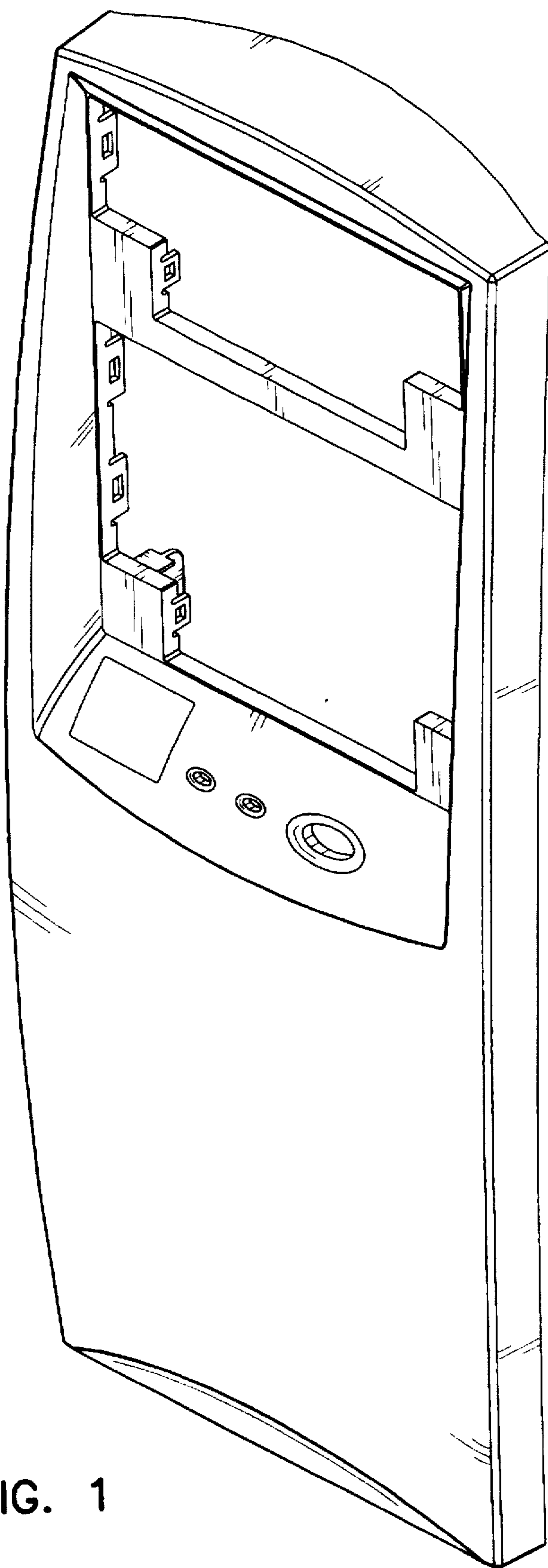


FIG. 1

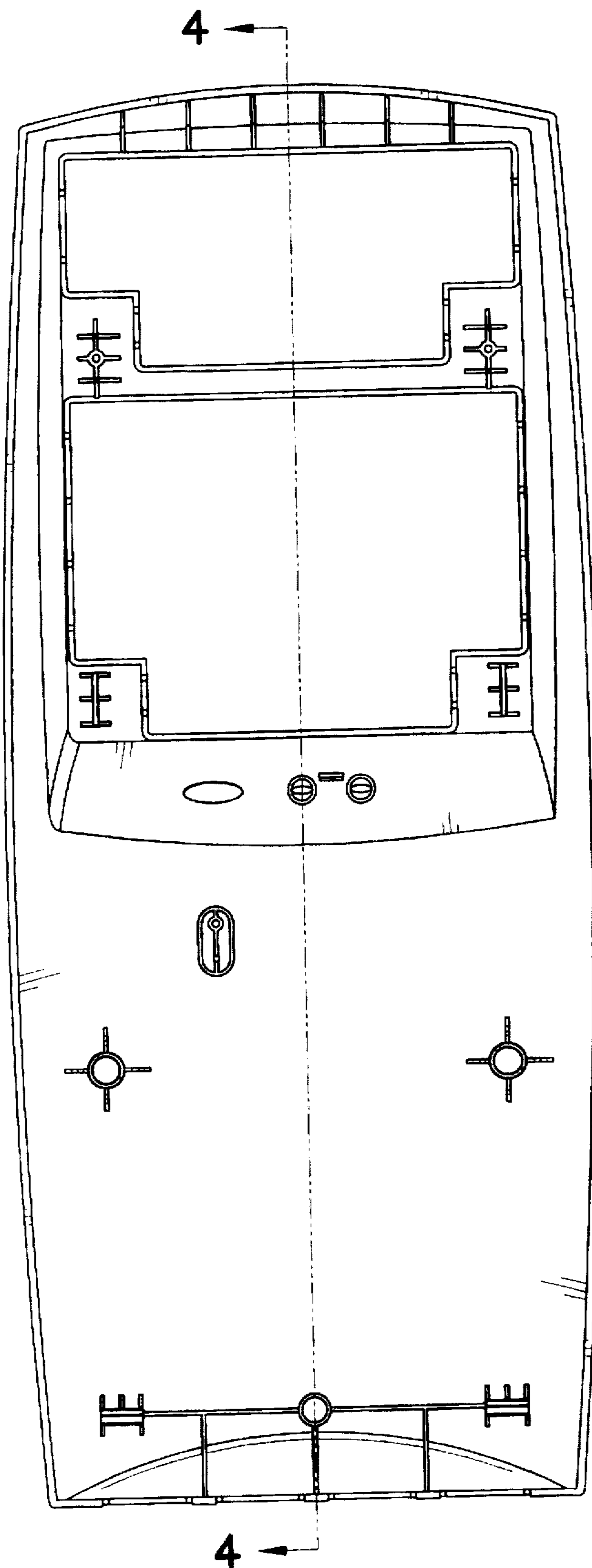


FIG. 2

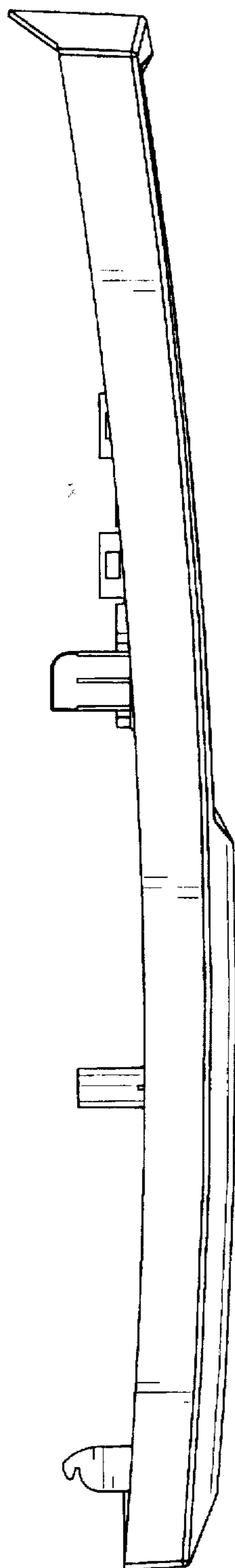


FIG. 3

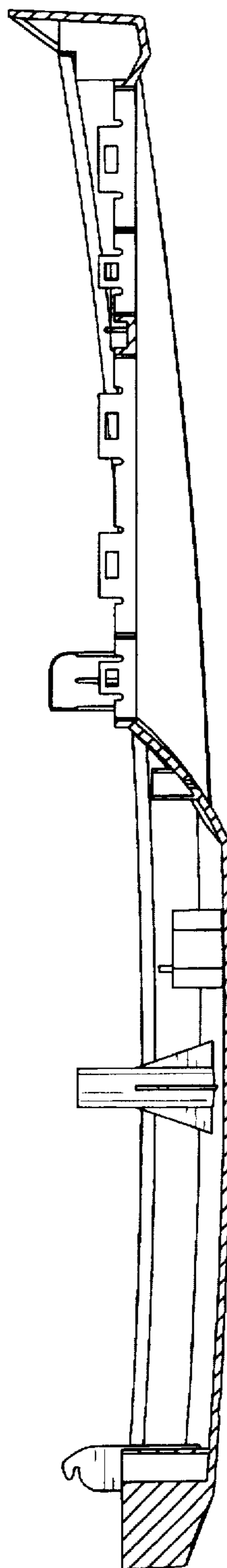


FIG. 4

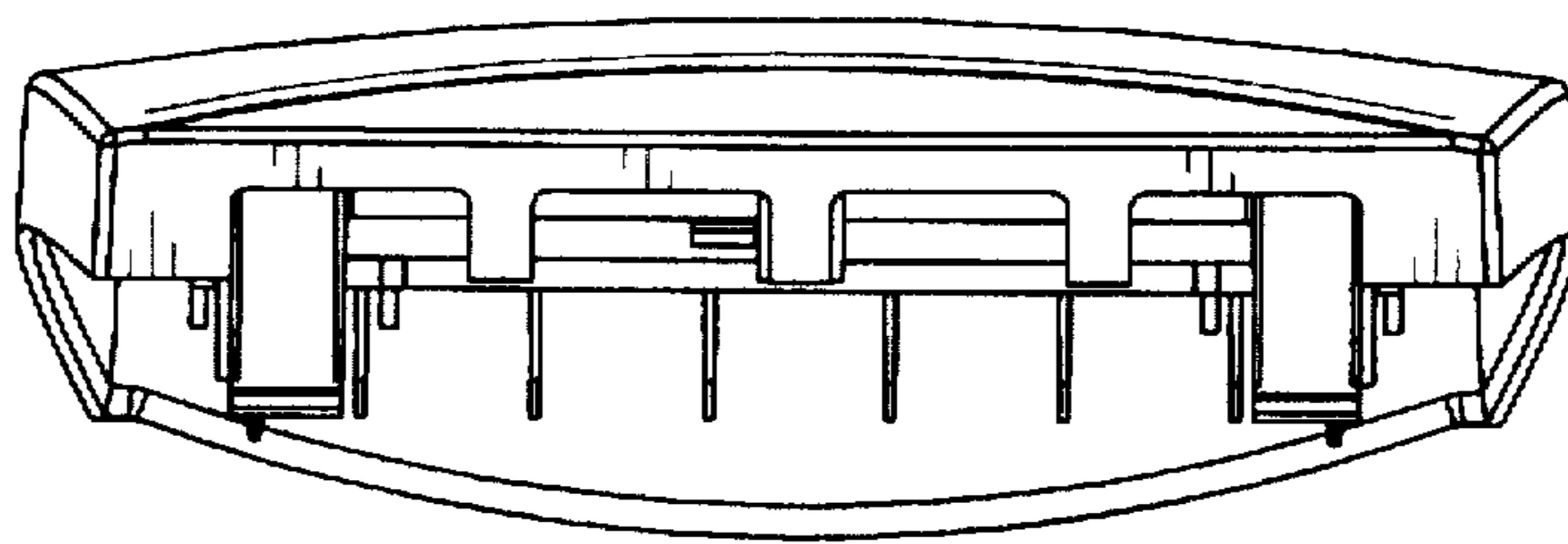


FIG. 5

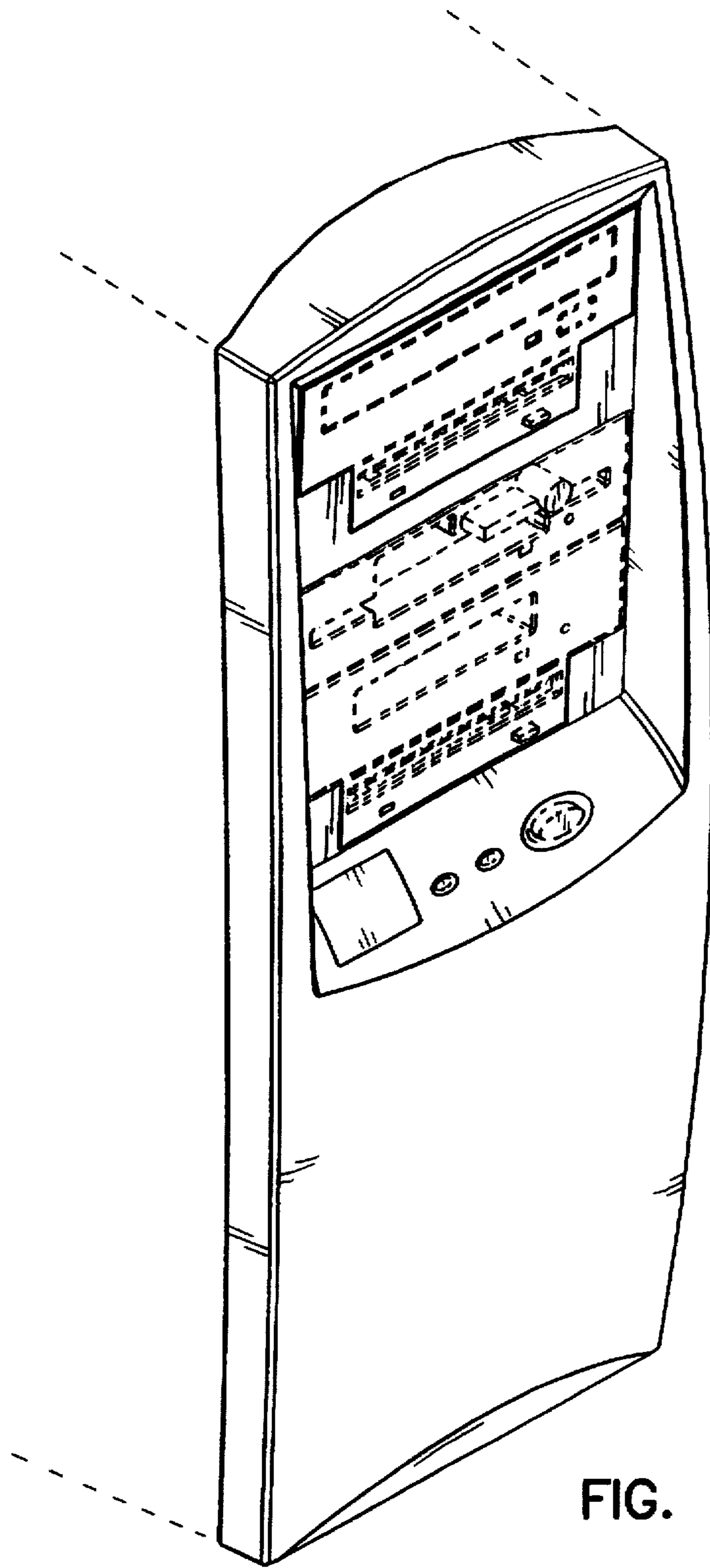


FIG. 6