



US00D393249S

United States Patent [19]

Singer et al.

[11] Patent Number: **Des. 393,249**

[45] Date of Patent: ****Apr. 7, 1998**

[54] **HOUSING FOR DESKSIDE COMPUTER**

[75] Inventors: **Richard Singer**, Menlo Park; **Robert Pandorf**; **Robin Chu**, both of San Francisco; **Mark Edwards**, Livermore; **James Gilbert Ammon**, San Jose; **Daniel Farmer**, Mountain View, all of Calif.

[73] Assignee: **Silicon Graphics, Inc.**, Mountain View, Calif.

[**] Term: **14 Years**

[21] Appl. No.: **60,131**

[22] Filed: **Sep. 23, 1996**

[51] LOC (6) Cl. **14-02**

[52] U.S. Cl. **D14/102**

[58] **Field of Search** D14/100, 102, D14/107-109; D13/162, 184, 199; D6/432, 436, 445, 448; 312/208.1, 223.2, 223.3; 360/99.12; 361/683, 694, 696

[56] **References Cited**

U.S. PATENT DOCUMENTS

D. 341,961 12/1993 Howden D14/102 X

D. 343,388 1/1994 Mousa D14/100

Primary Examiner—Freda Nunn
Attorney, Agent, or Firm—Schwegman, Lundberg, Woessner & Kluth, P.A.

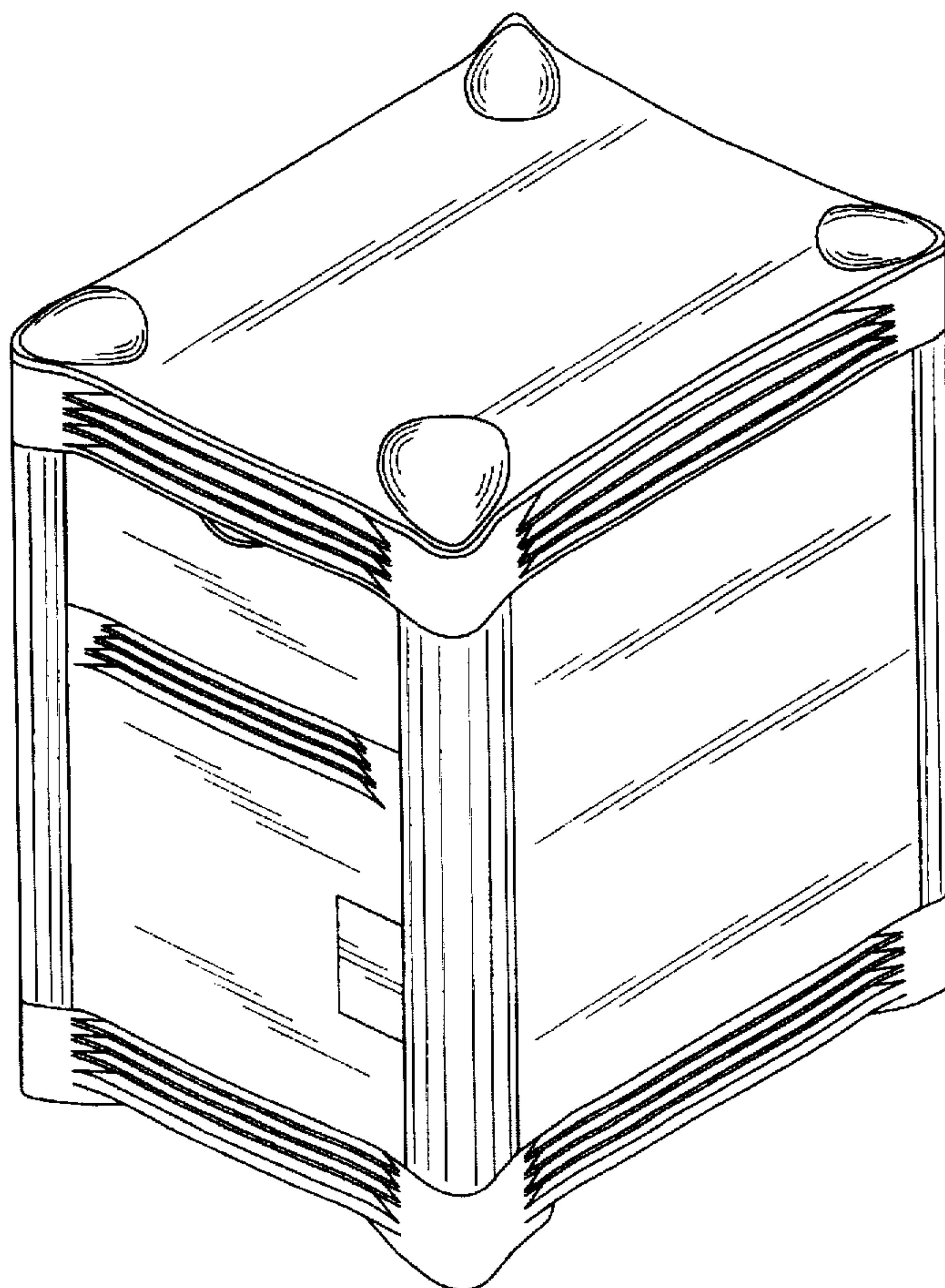
[57] **CLAIM**

The ornamental design for the housing for a deskside computer, as shown and described.

DESCRIPTION

FIG. 1 is a reduced top right front perspective view of the housing for a deskside computer showing our new design; FIG. 2 is a front elevational view of the deskside computer housing of FIG. 1; FIG. 3 is a rear elevational view of the deskside computer housing of FIG. 1; FIG. 4 is a top plan view of the deskside computer housing of FIG. 1; FIG. 5 is a bottom plan view of the deskside computer housing of FIG. 1; FIG. 6 is a side elevational view of the right side of the deskside computer housing of FIG. 1; and, FIG. 7 is a side elevational view of the left side of the deskside computer housing of FIG. 1.

1 Claim, 7 Drawing Sheets



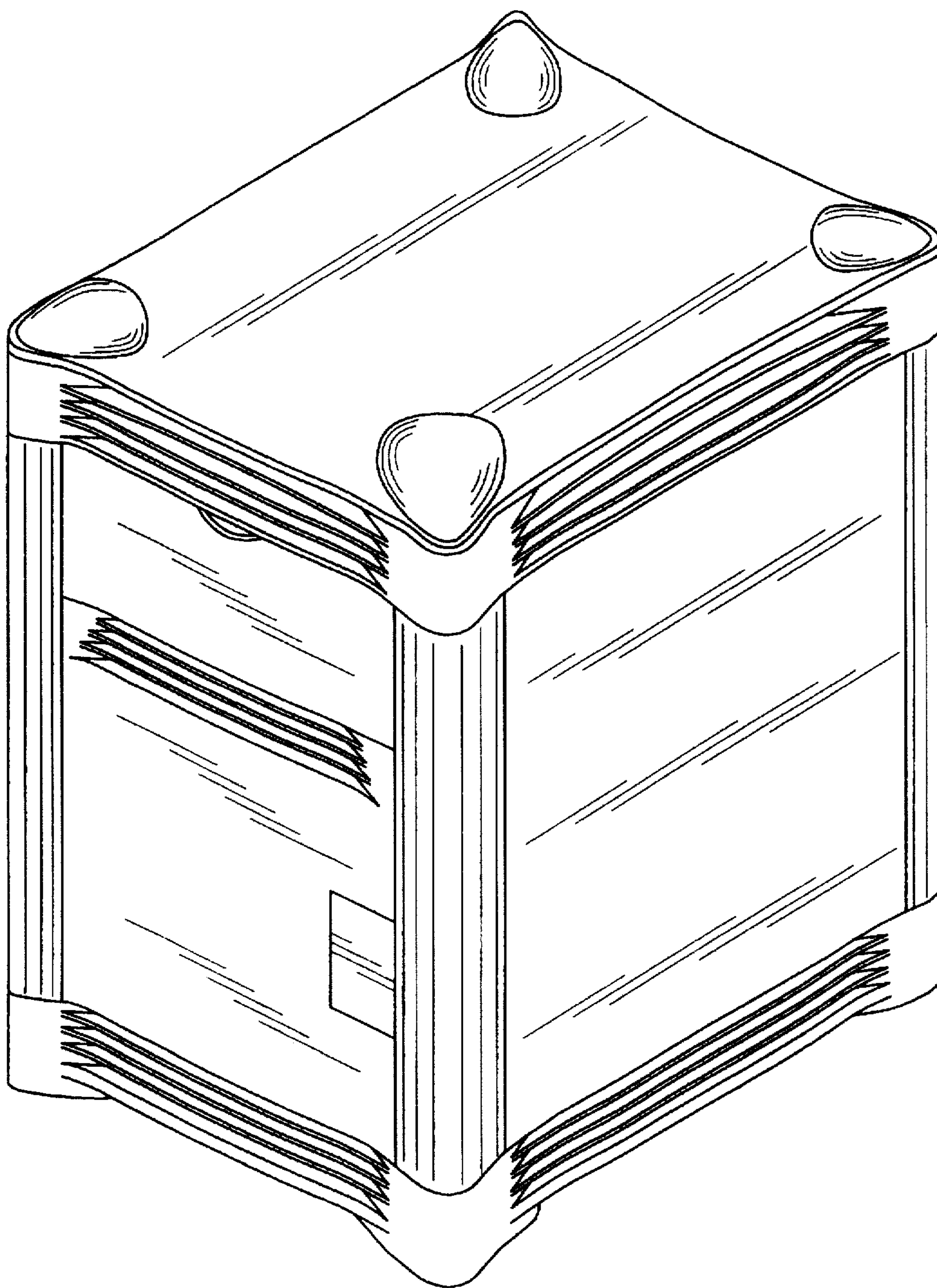


FIG. 1

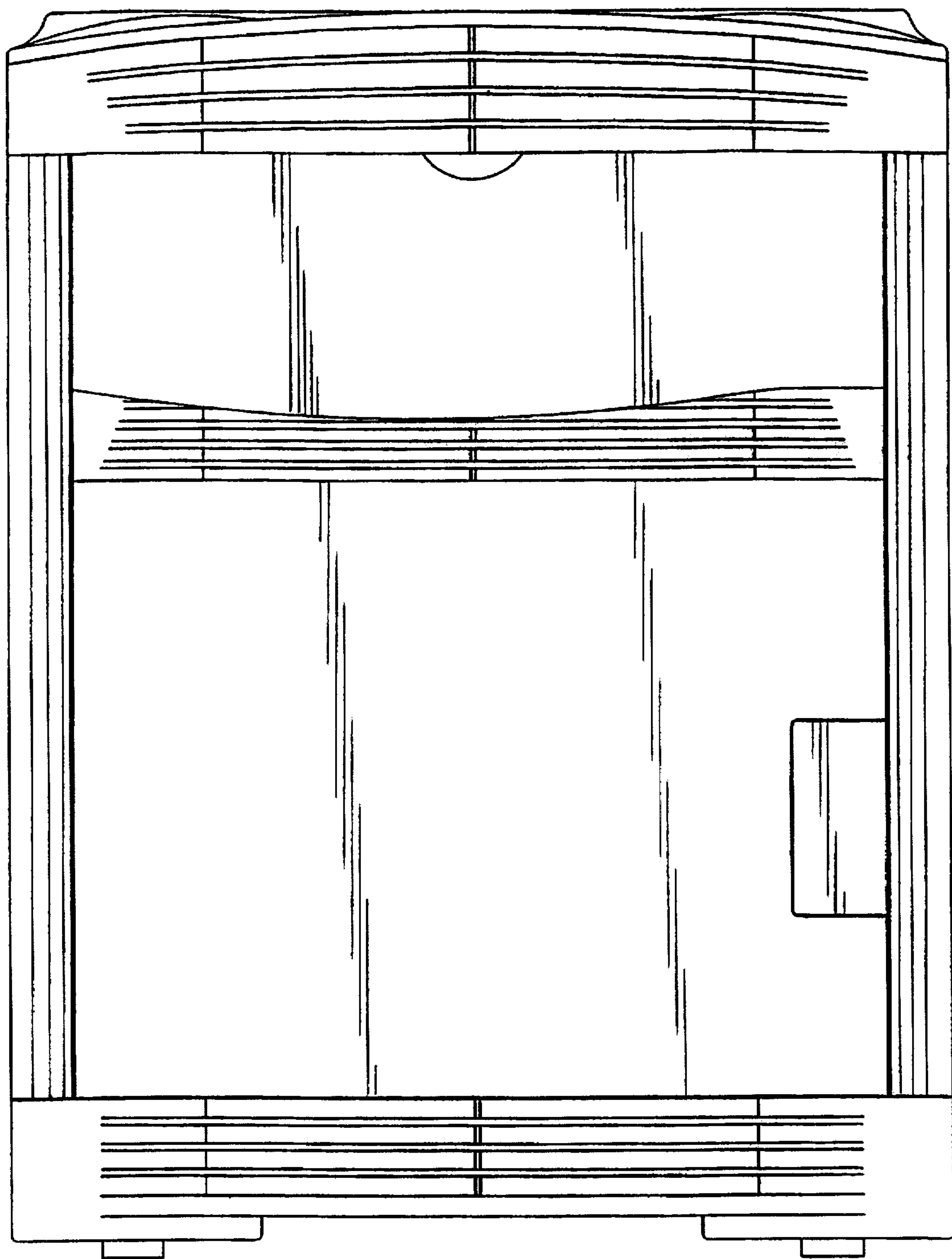


FIG. 2

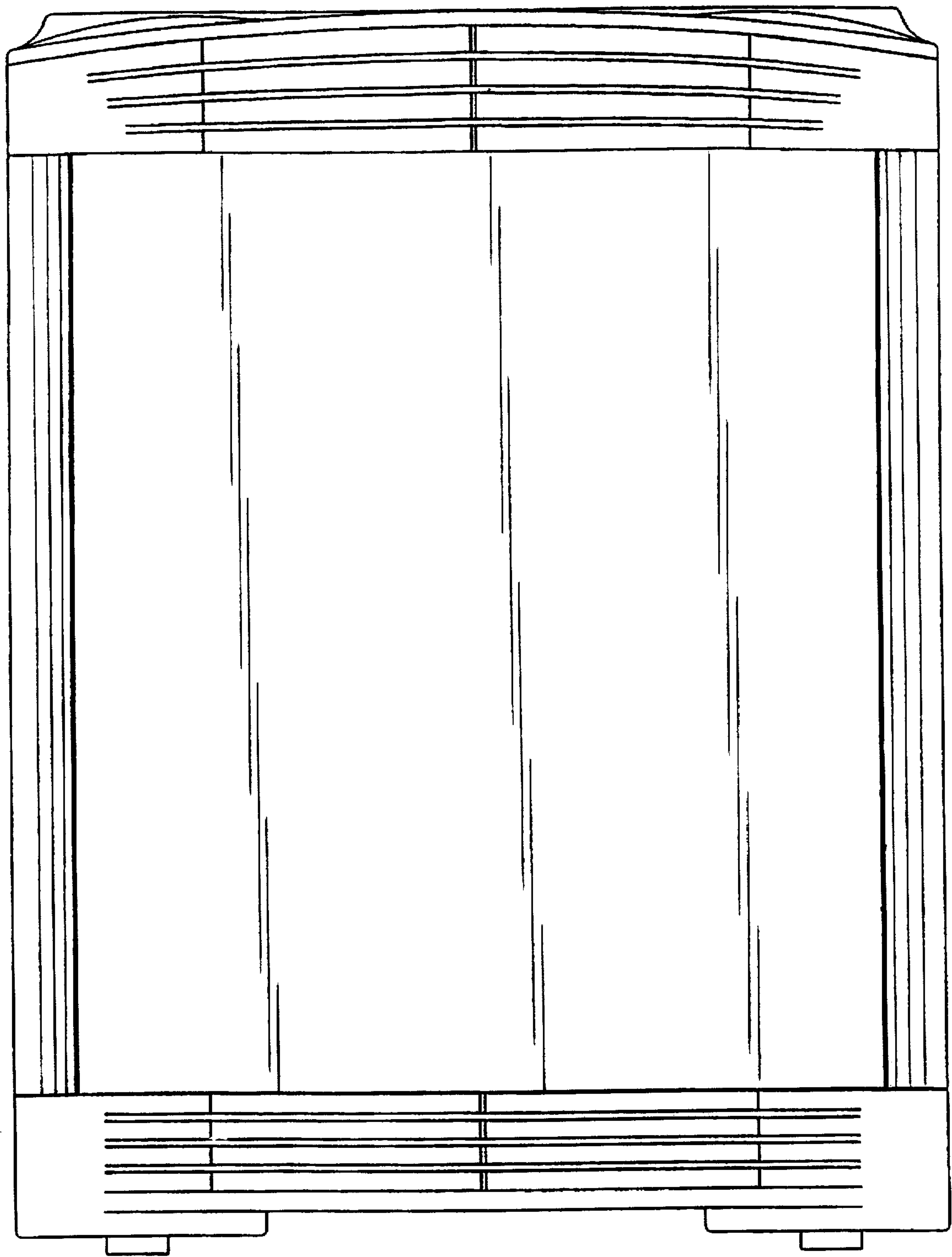


FIG. 3

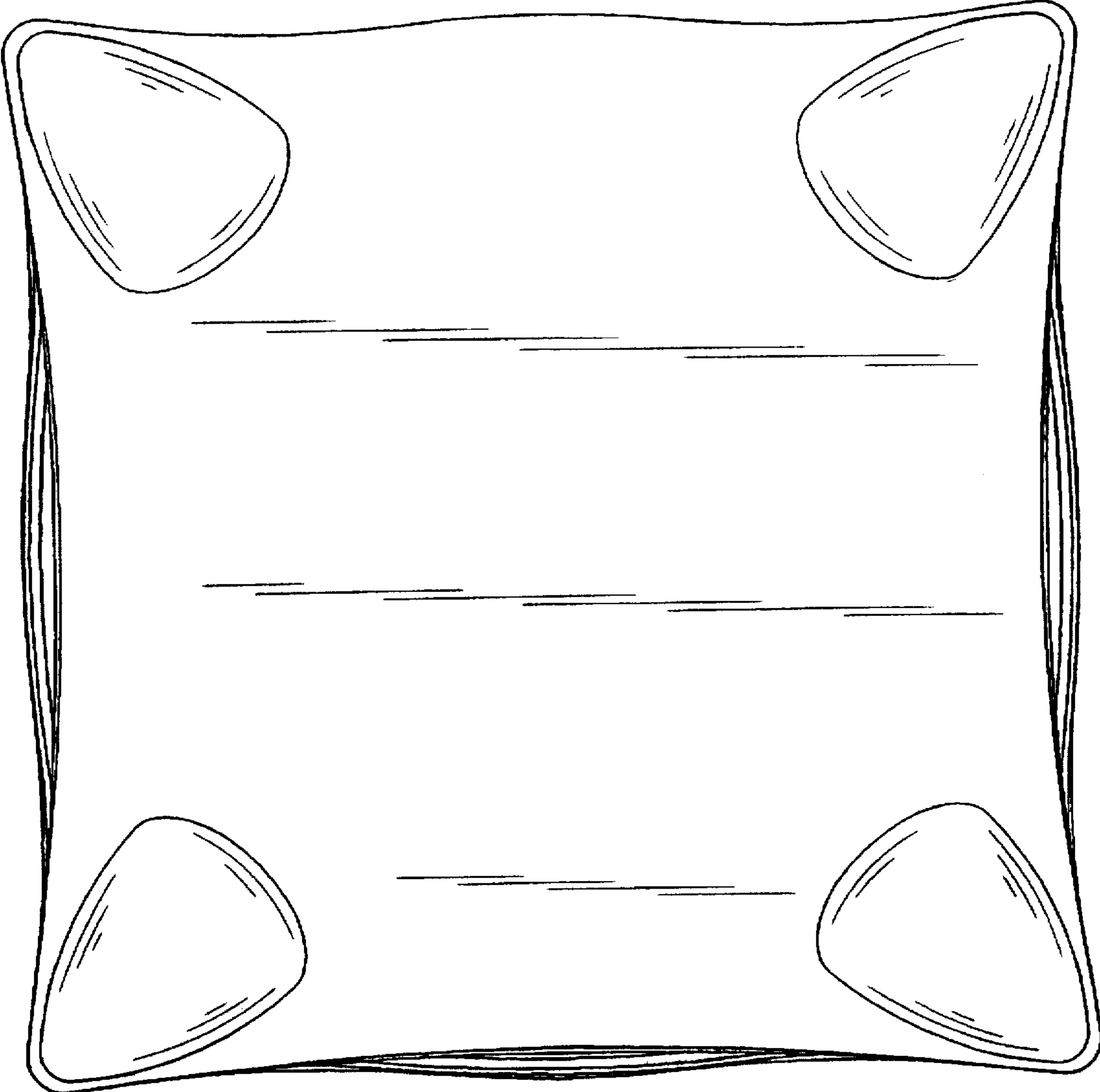


FIG. 4

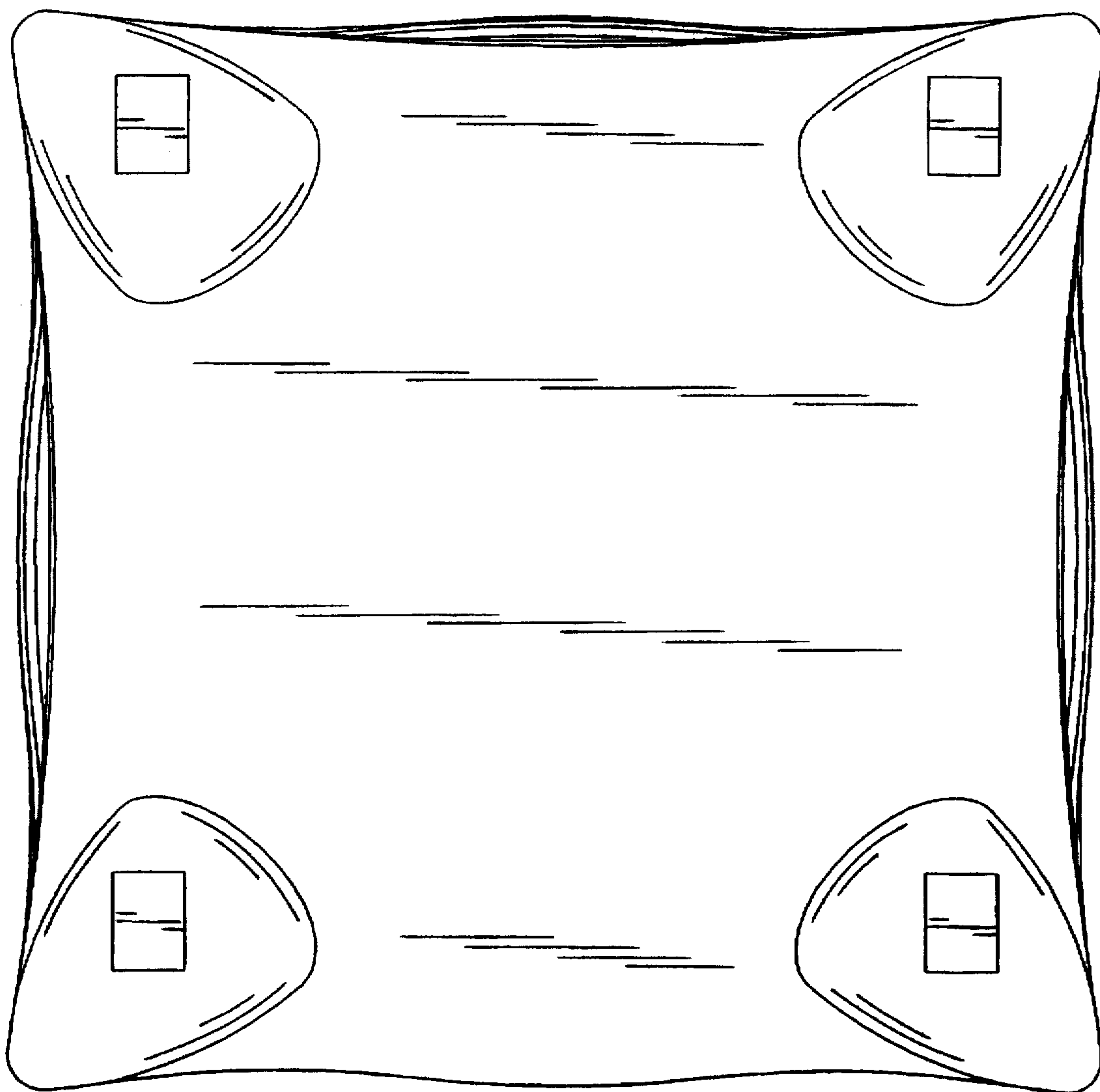


FIG. 5

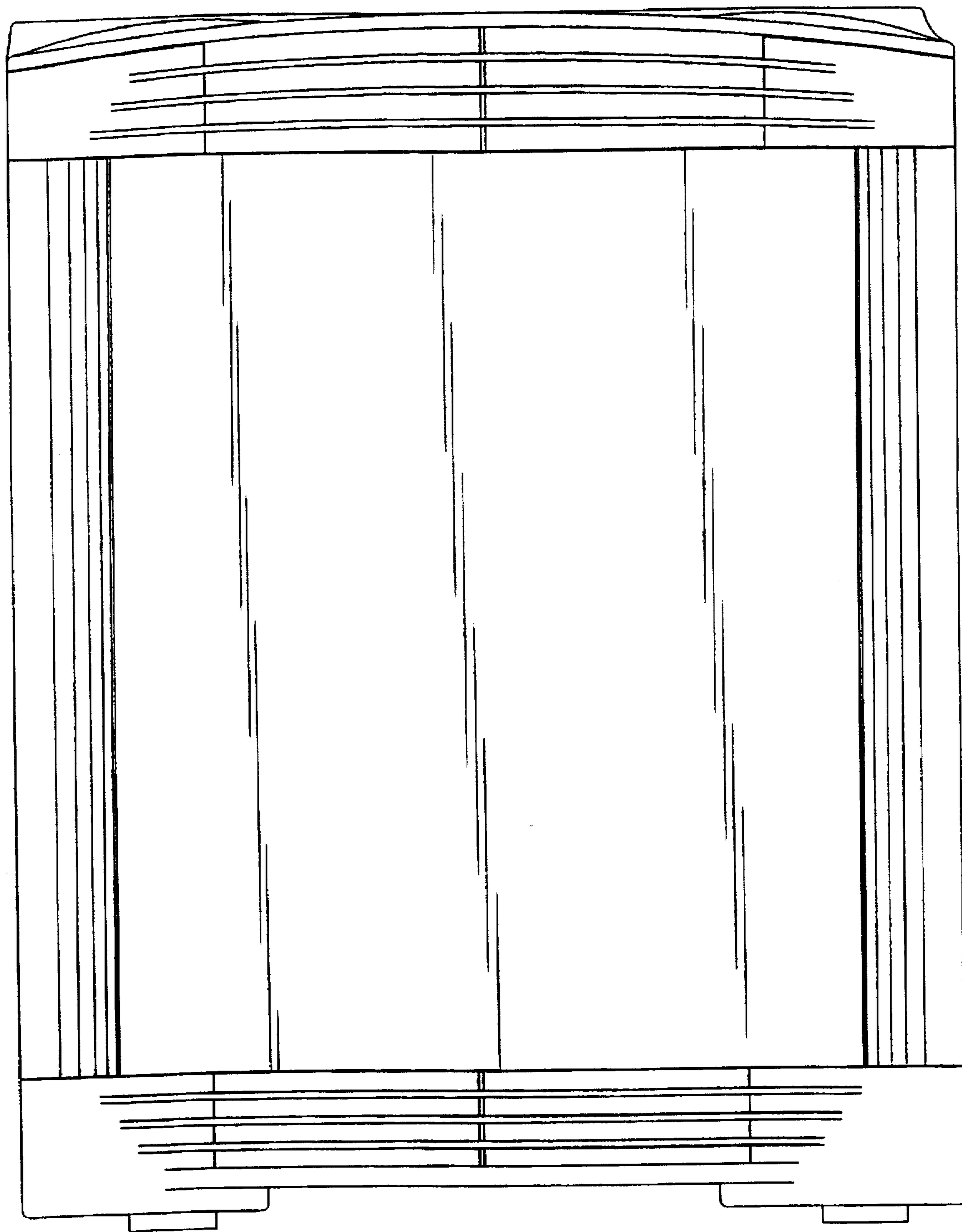


FIG. 6

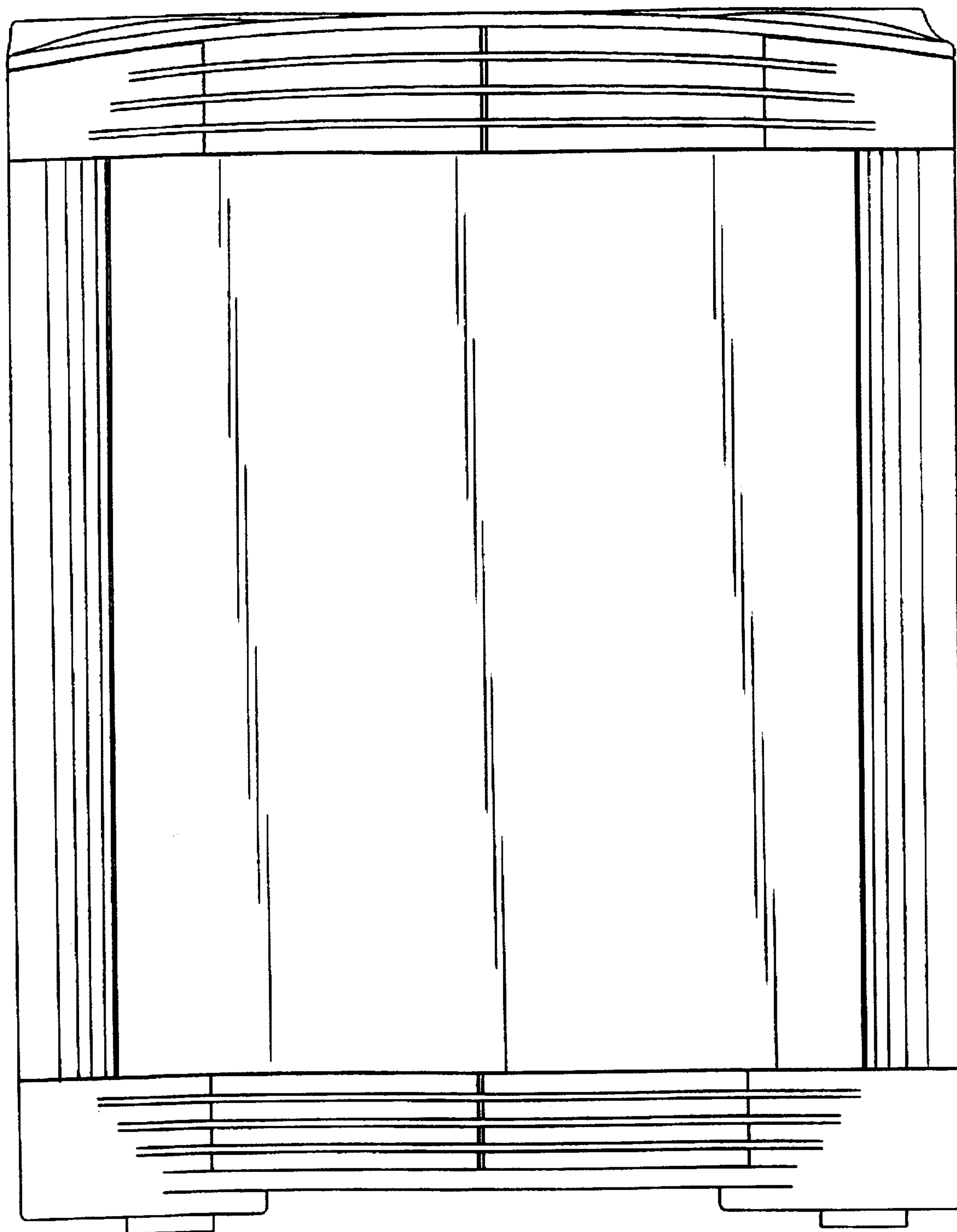


FIG. 7