



US00D393246S

# United States Patent [19]

[11] Patent Number: **Des. 393,246**

Fynn et al.

[45] Date of Patent: **\*\*Apr. 7, 1998**

[54] **ENCLOSURE FOR A DESKTOP PERSONAL COMPUTER**

[75] Inventors: **Shaun Fynn**, West Hollywood; **John Arbak**, Ventura; **Greg Halus**, Woodland Hills; **David Hoard**, Sherman Oaks; **Jonathan Scheiner**, Topanga; **Phil Smith**, Valencia, all of Calif.; **Lorrie Vogel**, Lake Oswego, Oreg.; **Stan Wada**, Tarzana, Calif.

[73] Assignee: **Gateway 2000, Inc.**, North Sioux City, S. Dak.

[\*\*] Term: **14 Years**

[21] Appl. No.: **61,030**

[22] Filed: **Oct. 15, 1996**

[51] LOC (6) Cl. .... **14-02**

[52] U.S. Cl. .... **D14/100; D14/109**

[58] Field of Search ..... **D14/100, 102, D14/107-109; D13/162, 184, 199; D6/432, 436, 445, 448; 312/208.1; 360/99.12; 361/683, 694, 696**

[56] **References Cited**

**U.S. PATENT DOCUMENTS**

D. 347,212 5/1994 Riley ..... D14/100  
D. 373,117 8/1996 Barthelemy et al. .... D14/100

*Primary Examiner*—Freda Nunn  
*Attorney, Agent, or Firm*—Schwegman, Lundberg, Woessner & Kluth, P.A.

[57] **CLAIM**

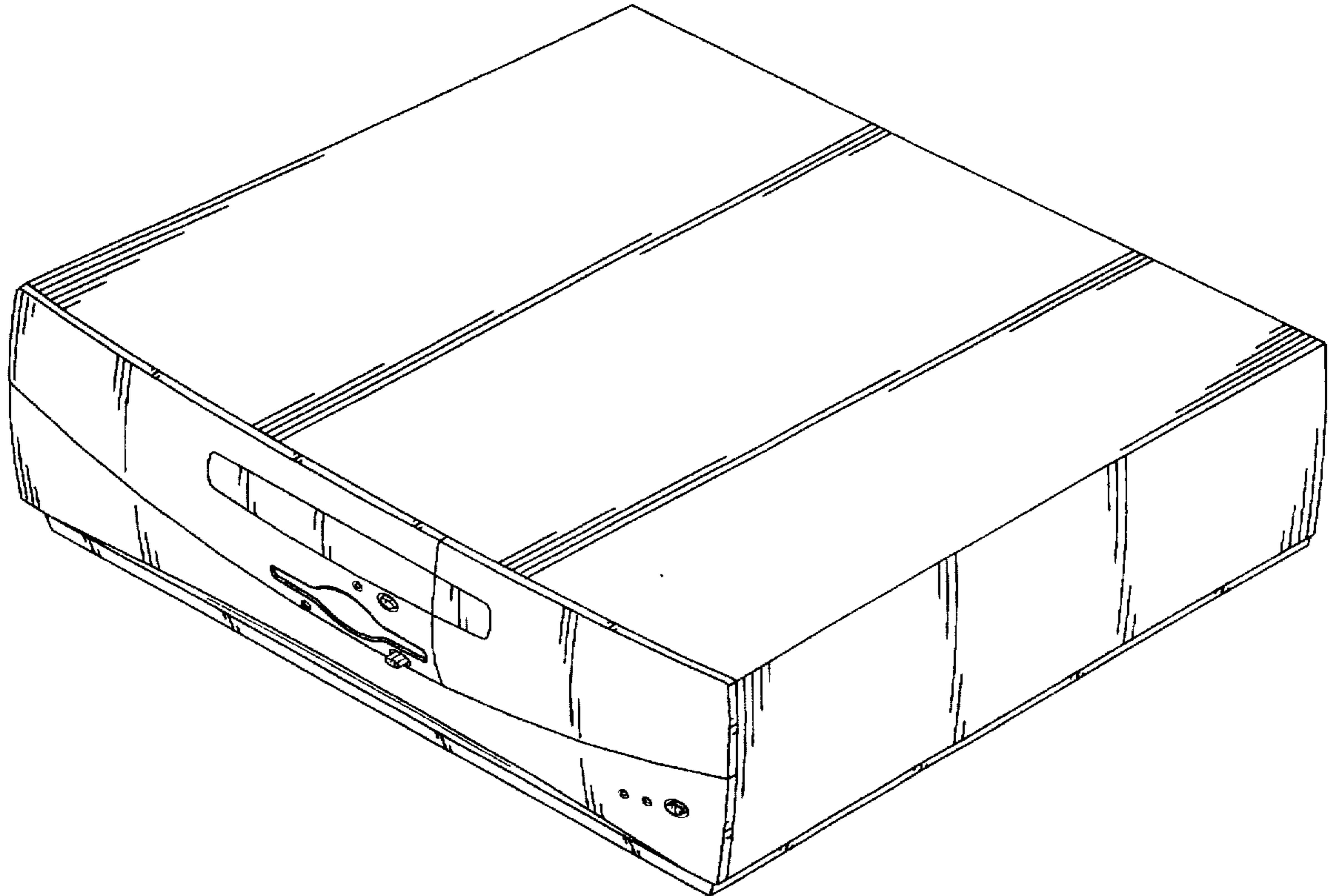
The ornamental design for an enclosure for a desktop personal computer, as shown and described.

**DESCRIPTION**

FIG. 1 is a right front perspective view of an enclosure for a desktop personal computer incorporating the new design; FIG. 2 is a bottom plan of the enclosure of FIG. 1; and, FIG. 3 is a rear elevation of the enclosure of FIG. 1.

The left side of the enclosure is identical to the right side shown in FIG. 1.

**1 Claim, 2 Drawing Sheets**



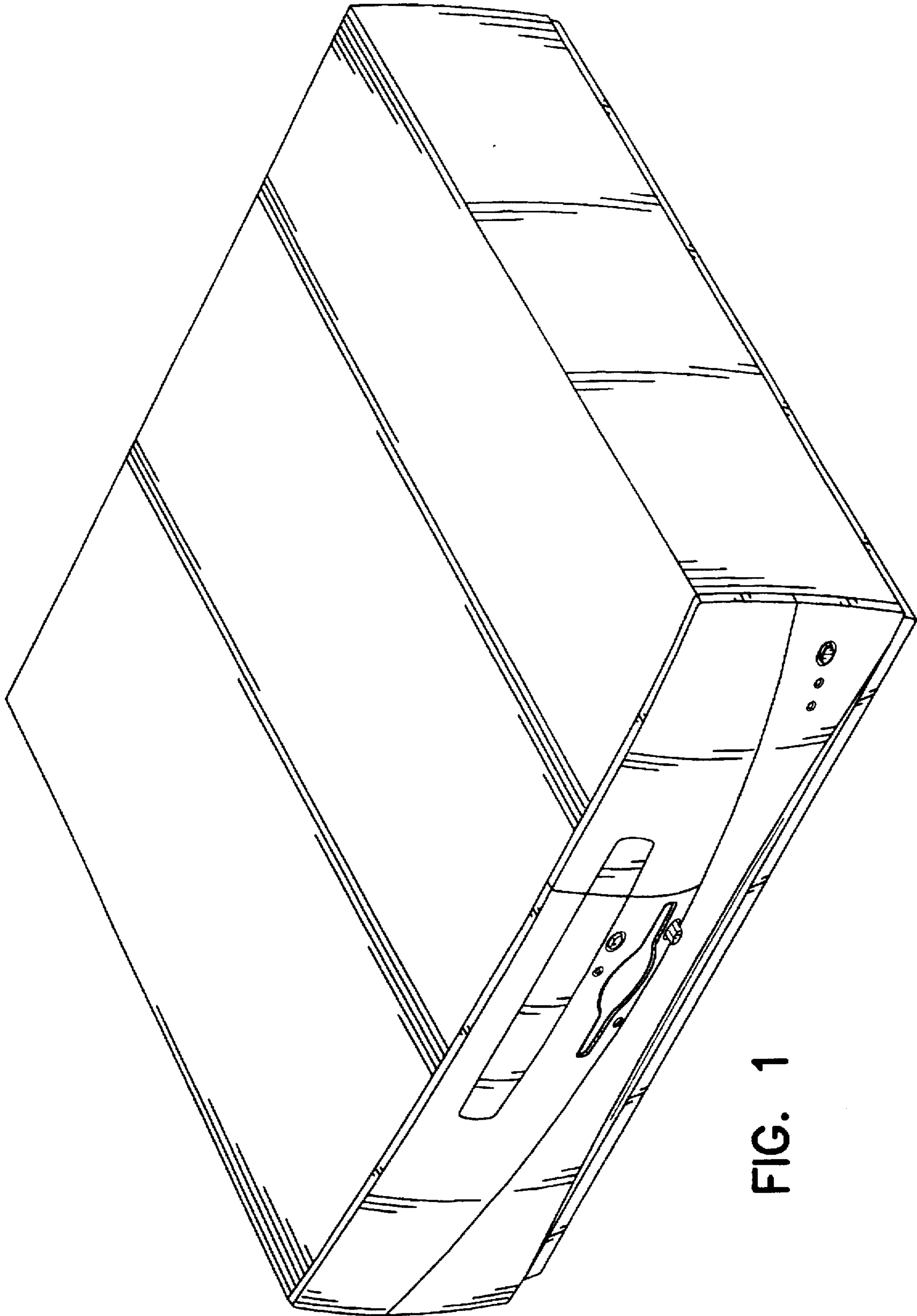


FIG. 1

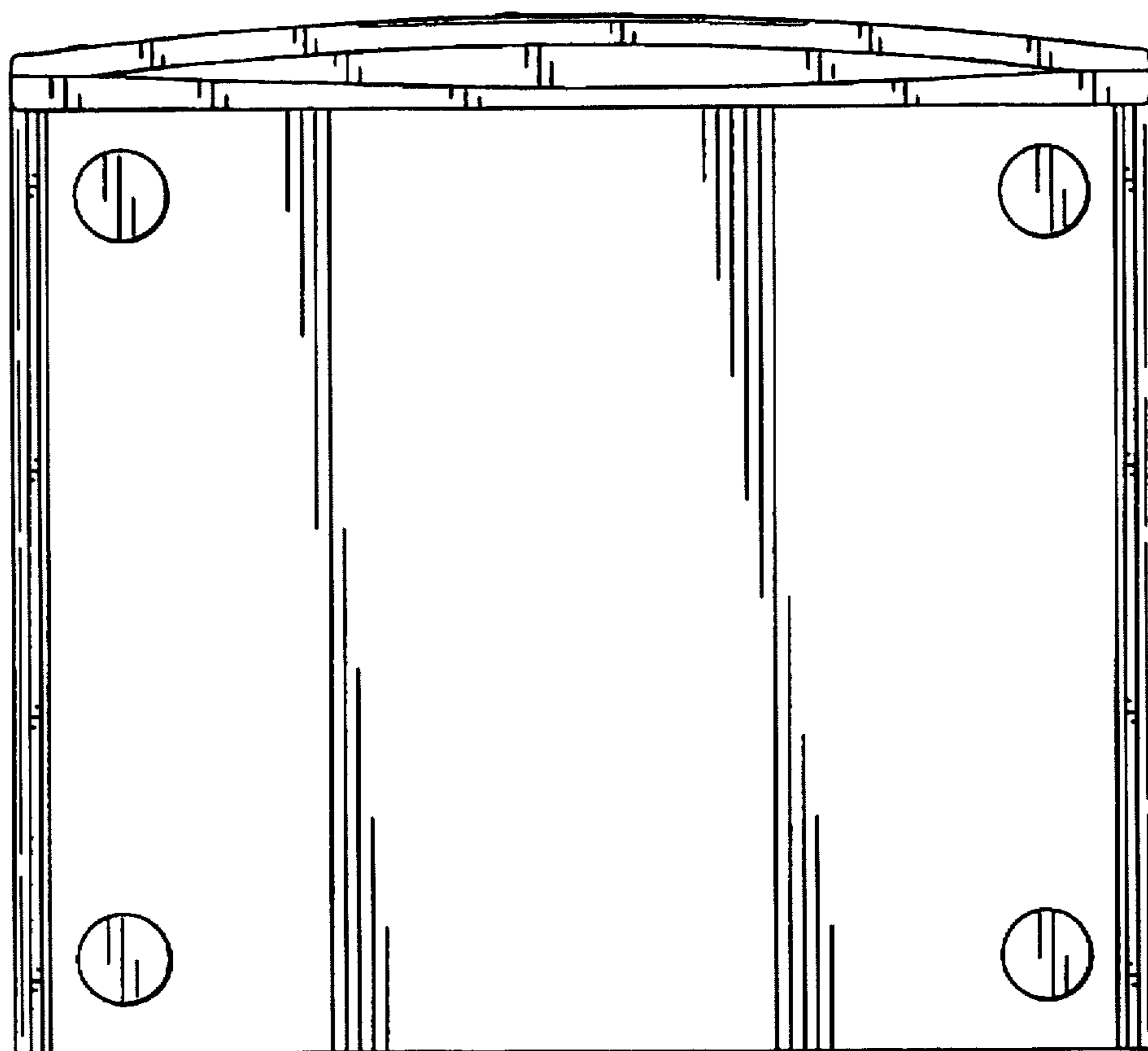


FIG. 2

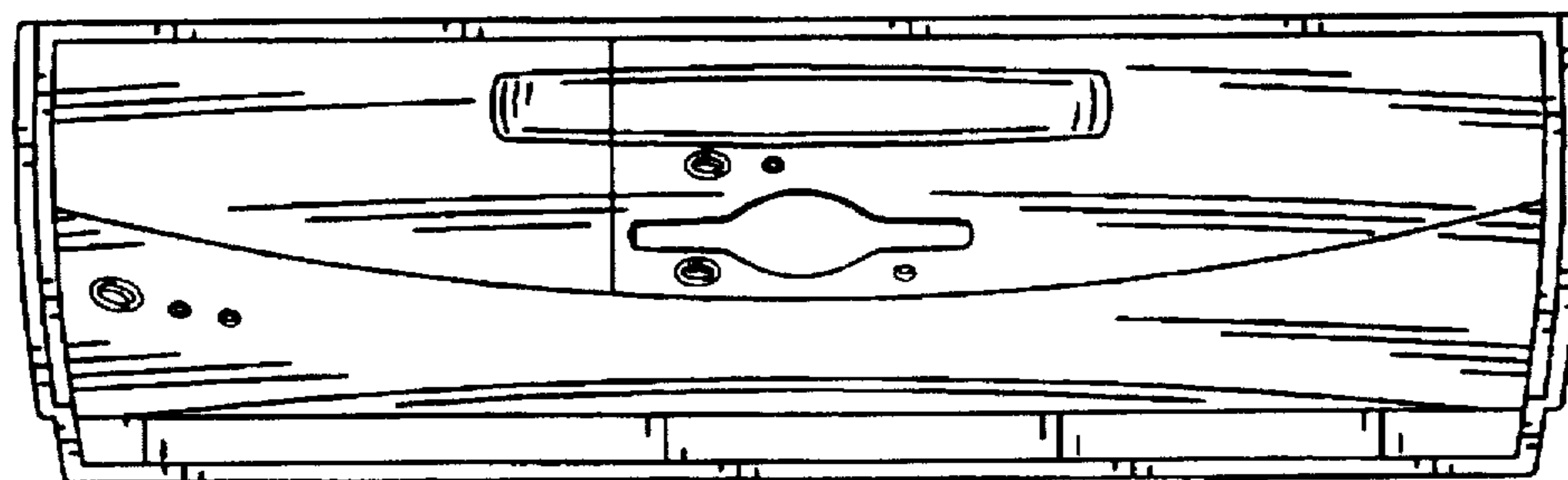


FIG. 3