

US00D393241S

United States Patent [19]
Diotte

[11] **Patent Number:** **Des. 393,241**
[45] **Date of Patent:** ****Apr. 7, 1998**

[54] **MOTORCYCLE CARRIER FOR VEHICLES**

[76] **Inventor:** **Daniel B. Diotte**, 2302 Patrician Way,
Colorado Springs, Colo. 80909

[**] **Term:** **14 Years**

[21] **Appl. No.:** **63,943**

[22] **Filed:** **Dec. 19, 1996**

[51] **LOC (6) Cl.** **12-16**

[52] **U.S. Cl.** **D12/408**

[58] **Field of Search** D12/408; 224/500-511;
414/462

[56] **References Cited**

U.S. PATENT DOCUMENTS

| | | | | |
|------------|---------|-----------|-------|-----------|
| D. 306,992 | 4/1990 | Morehouse | | D12/408 |
| D. 377,700 | 1/1997 | Butler | | D12/408 X |
| 3,731,830 | 5/1973 | Long | | D12/408 |
| 3,912,139 | 10/1975 | Bouman | | D12/408 |
| 4,275,981 | 6/1981 | Bruhn | | 414/462 |

OTHER PUBLICATIONS

Popular Science, p. 89, the RV Rack for Motorcycles, Dec. 1977.

Primary Examiner—Melody N. Brown
Attorney, Agent, or Firm—William E. Hein

[57] **CLAIM**

The ornamental design for a motorcycle carrier for vehicles, as shown and described.

DESCRIPTION

FIG. 1 is a perspective view of a motorcycle carrier for vehicles, showing my new design;

FIG. 2 is a top plan view;

FIG. 3 is a front elevation view;

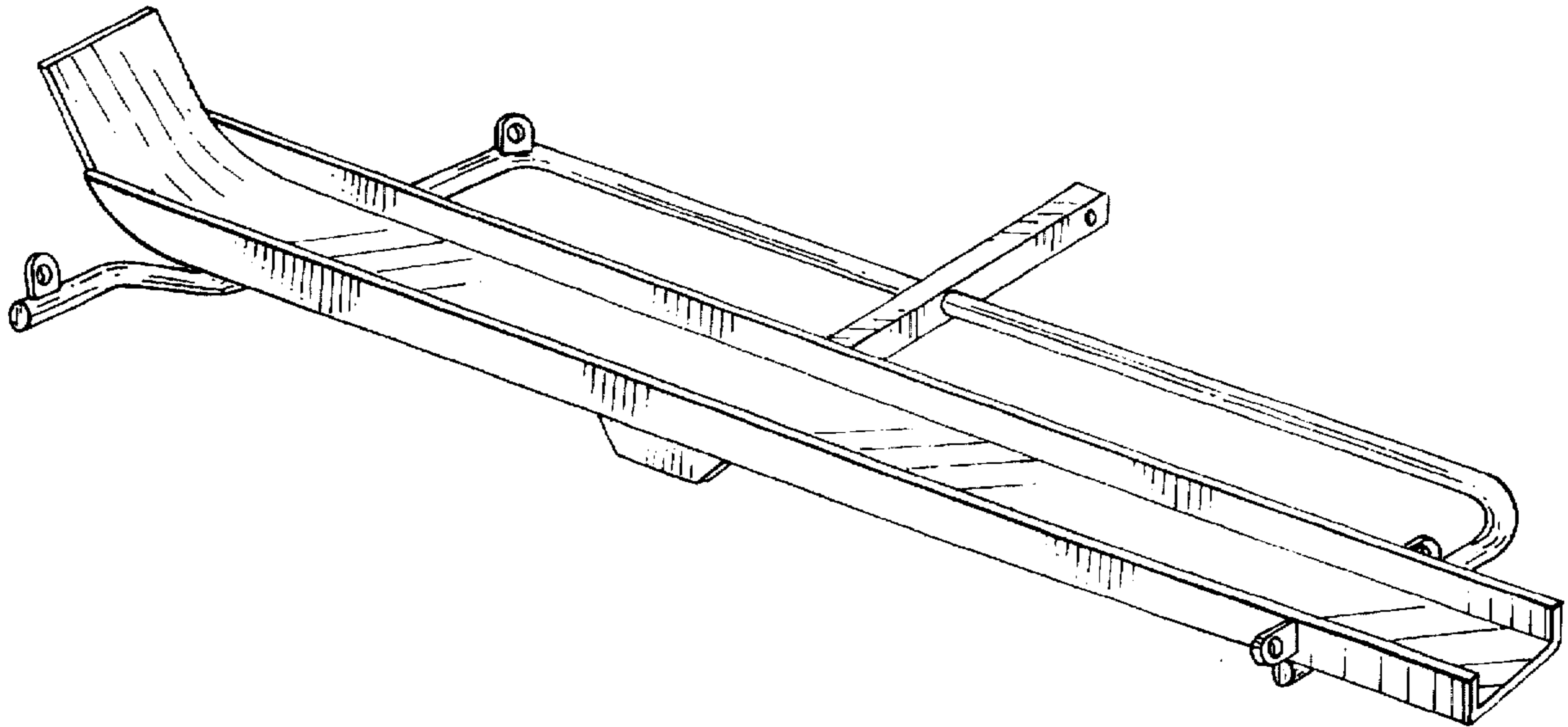
FIG. 4 is a rear elevation view;

FIG. 5 is a bottom plan view;

FIG. 6 is a left side elevation view; and,

FIG. 7 is a right side elevation view.

1 Claim, 2 Drawing Sheets



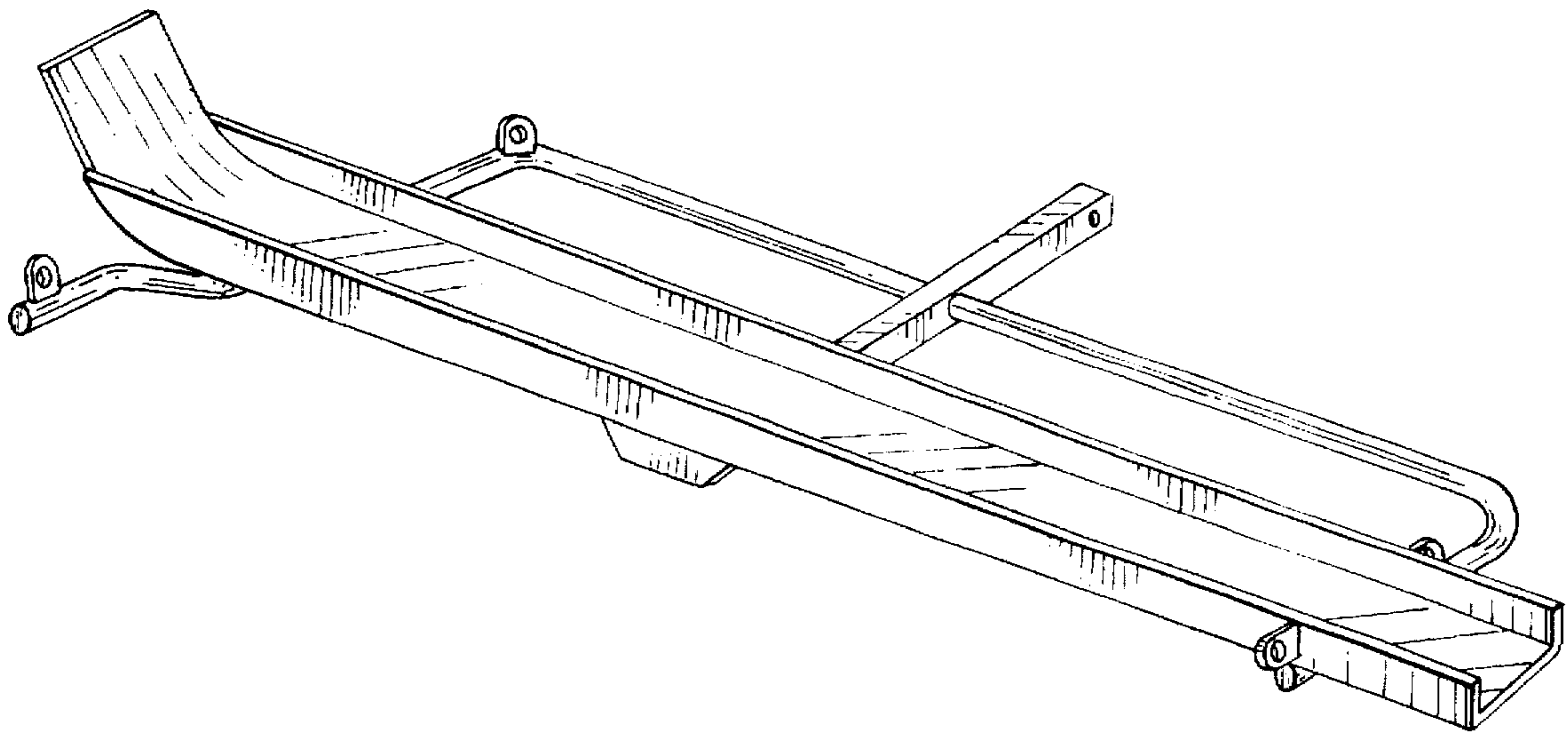


FIG. 1

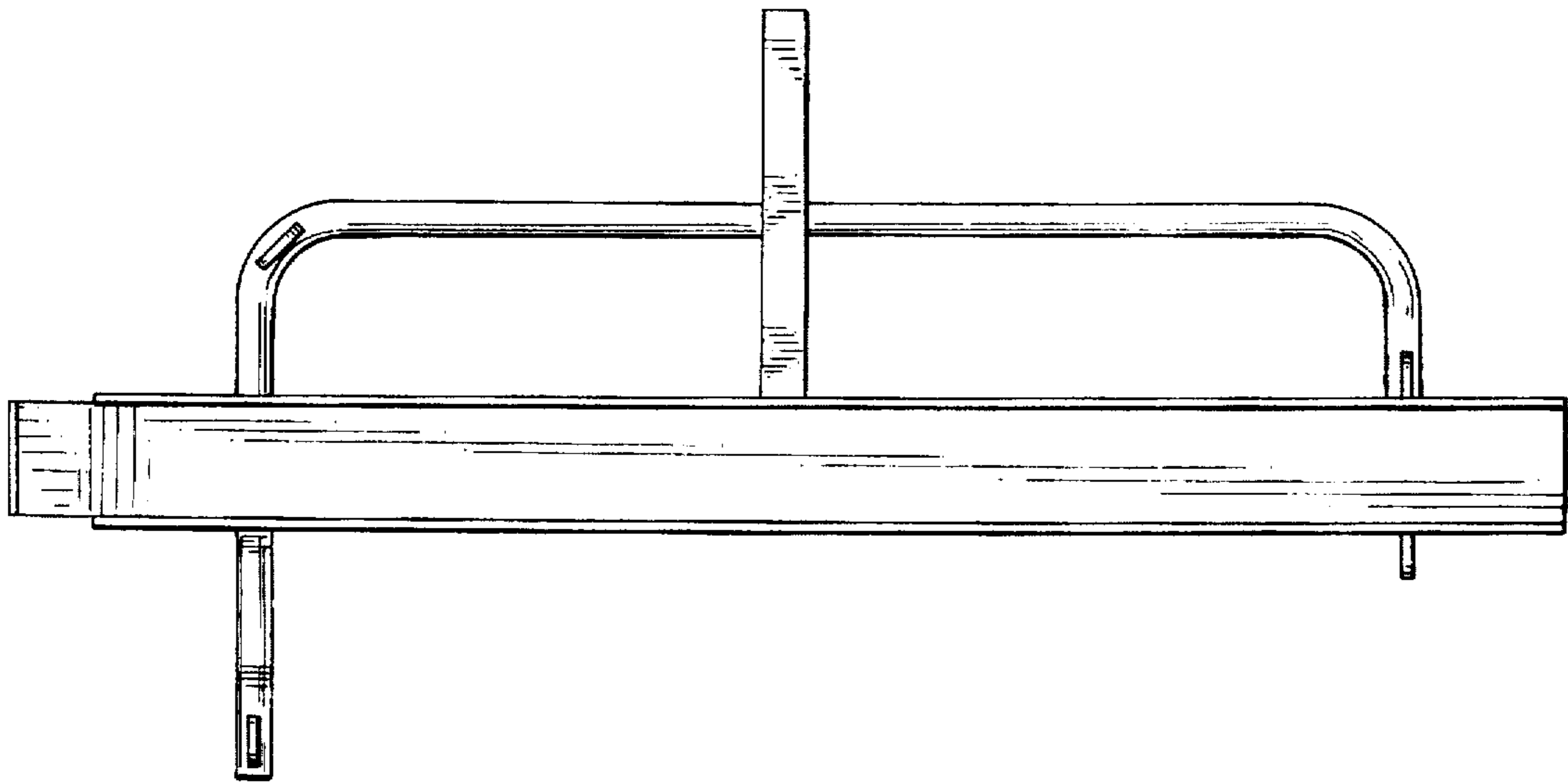


FIG. 2

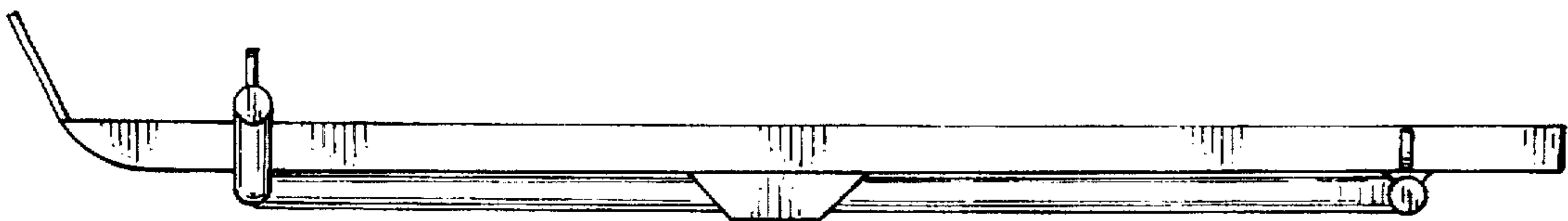


FIG. 3

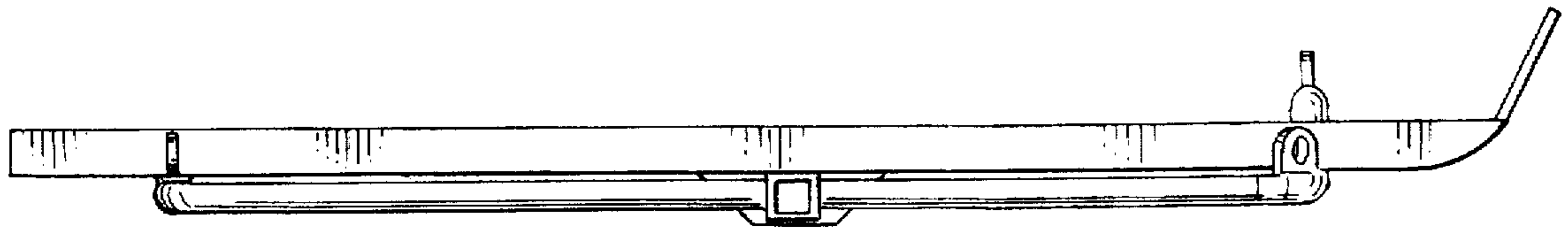


FIG. 4

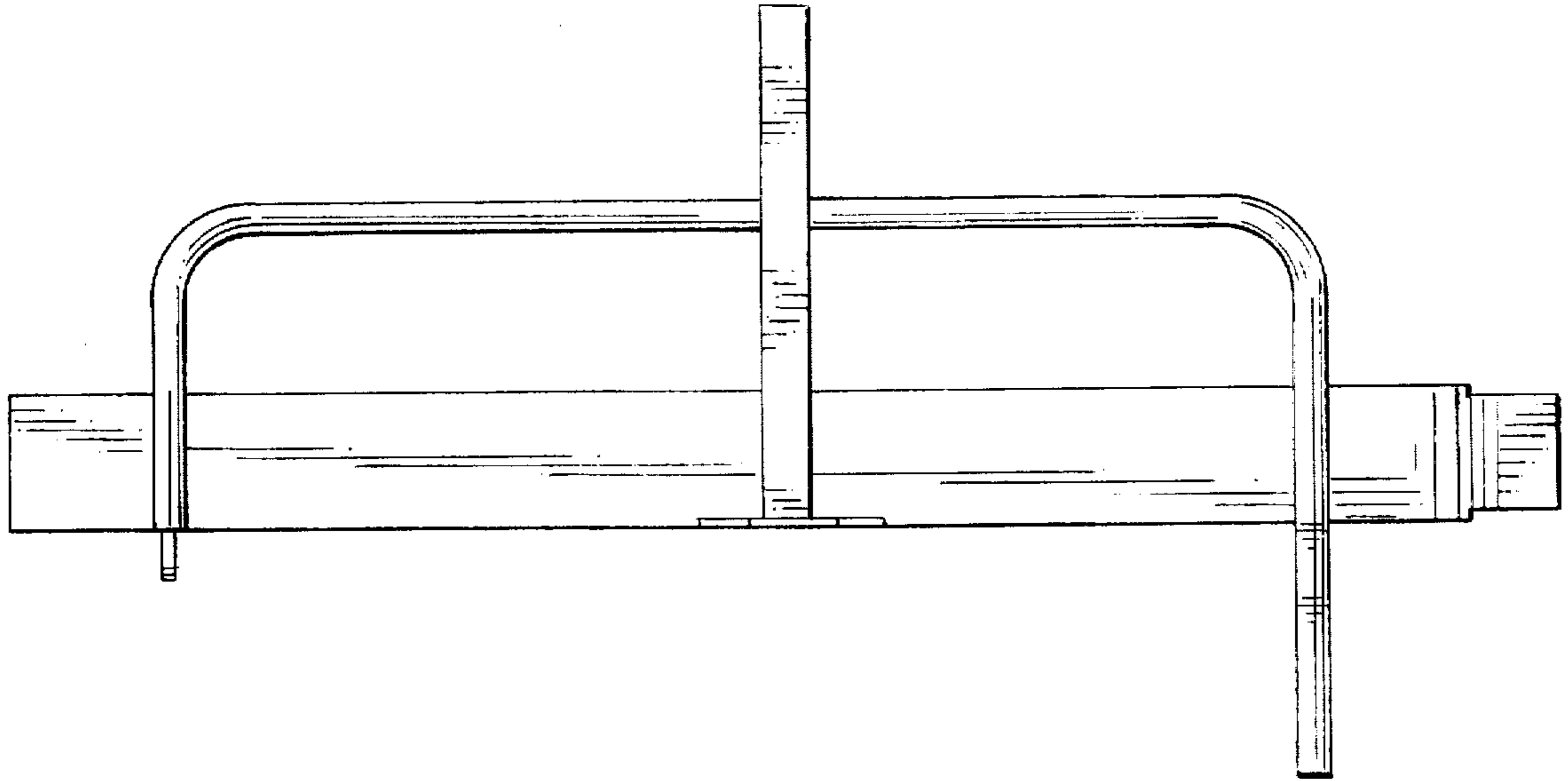


FIG. 5

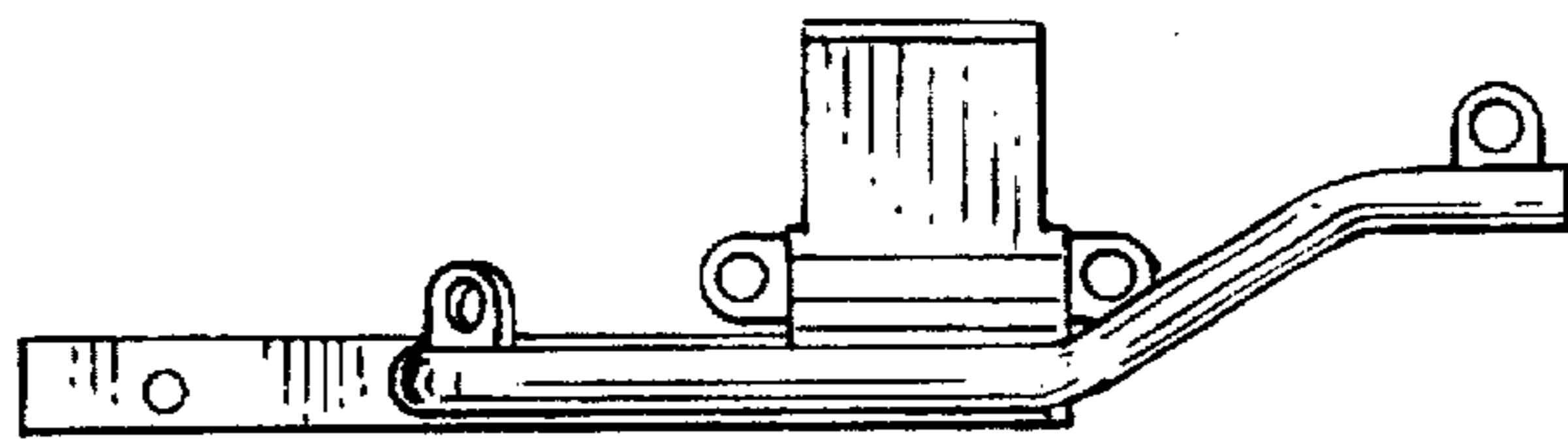


FIG. 6

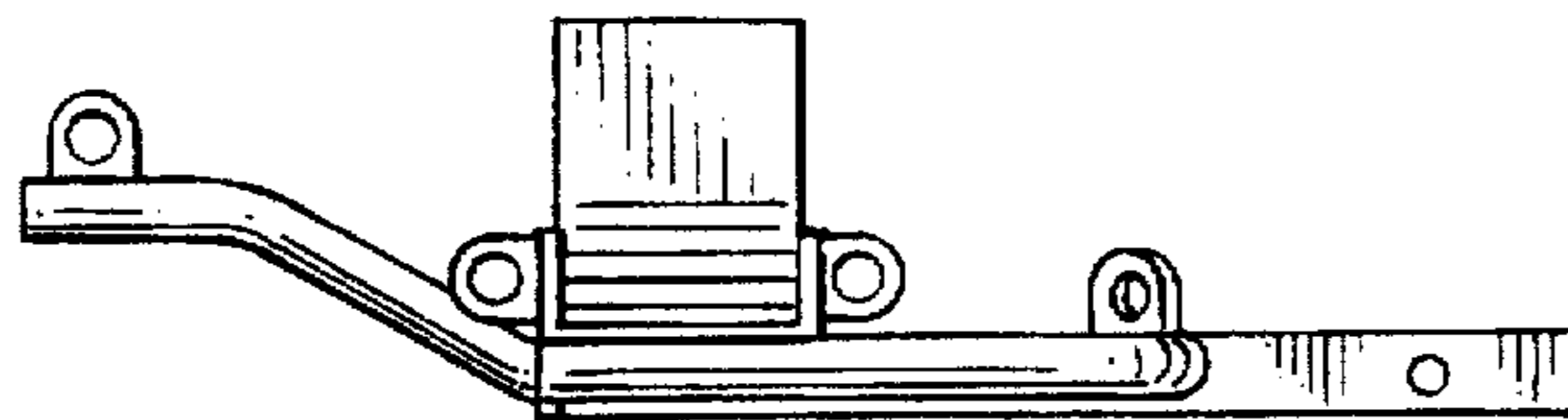


FIG. 7