



US00D393237S

United States Patent [19]

Mondo, Jr.

[11] Patent Number: **Des. 393,237**

[45] Date of Patent: ****Apr. 7, 1998**

[54] **DEMOUNTABLE AUTOMOBILE STEERING WHEEL PORTABLE COMPUTER PLATFORM**

4,974,805	12/1990	Douglas	108/44 X
5,177,665	1/1993	Frank et al.	108/44 X
5,487,521	1/1996	Callahan	248/441.1
5,542,314	8/1996	Sullivan et al.	224/276 X

[76] Inventor: **Domenick Mondo, Jr.**, P.O. Box 1483, Lockeford, Calif. 95237

Primary Examiner—Melody N. Brown

[**] Term: **14 Years**

[57] CLAIM

[21] Appl. No.: **53,206**

The ornamental design for a demountable automobile steering wheel portable computer platform, as shown and described.

[22] Filed: **Apr. 17, 1996**

DESCRIPTION

[51] LOC (6) Cl. **12-16**

[52] U.S. Cl. **D12/177**

[58] Field of Search D12/177, 126, D12/425; D14/114; D6/406, 419, 420, 399; D7/550-554; 74/558, 558.5, 552; 108/44, 47; 248/441.1, 454, 447.2; 224/276

FIG. 1 is a front, top, and side perspective view of a demountable automobile steering wheel portable computer platform showing my new design, the broken lines illustrating a portion of an automobile steering wheel is for illustrative purposes and form no part of the claimed design; FIG. 2 is a perspective view from the opposite side; FIG. 3 is a front elevational view; FIG. 4 is a side elevational view, the opposite side being a mirror image thereof; FIG. 5 is a top plan view; FIG. 6 is a rear elevational view thereof; and, FIG. 7 is a bottom plan view.

[56] References Cited

U.S. PATENT DOCUMENTS

D. 274,803	7/1984	Hughes	D12/126
D. 292,445	10/1987	Judge	D12/177
D. 312,358	11/1990	Home	D6/406
D. 353,275	12/1994	Longhurst	D12/177
D. 358,612	5/1995	Smith	D12/177
4,375,881	3/1983	Mitchell	108/44 X

1 Claim, 2 Drawing Sheets

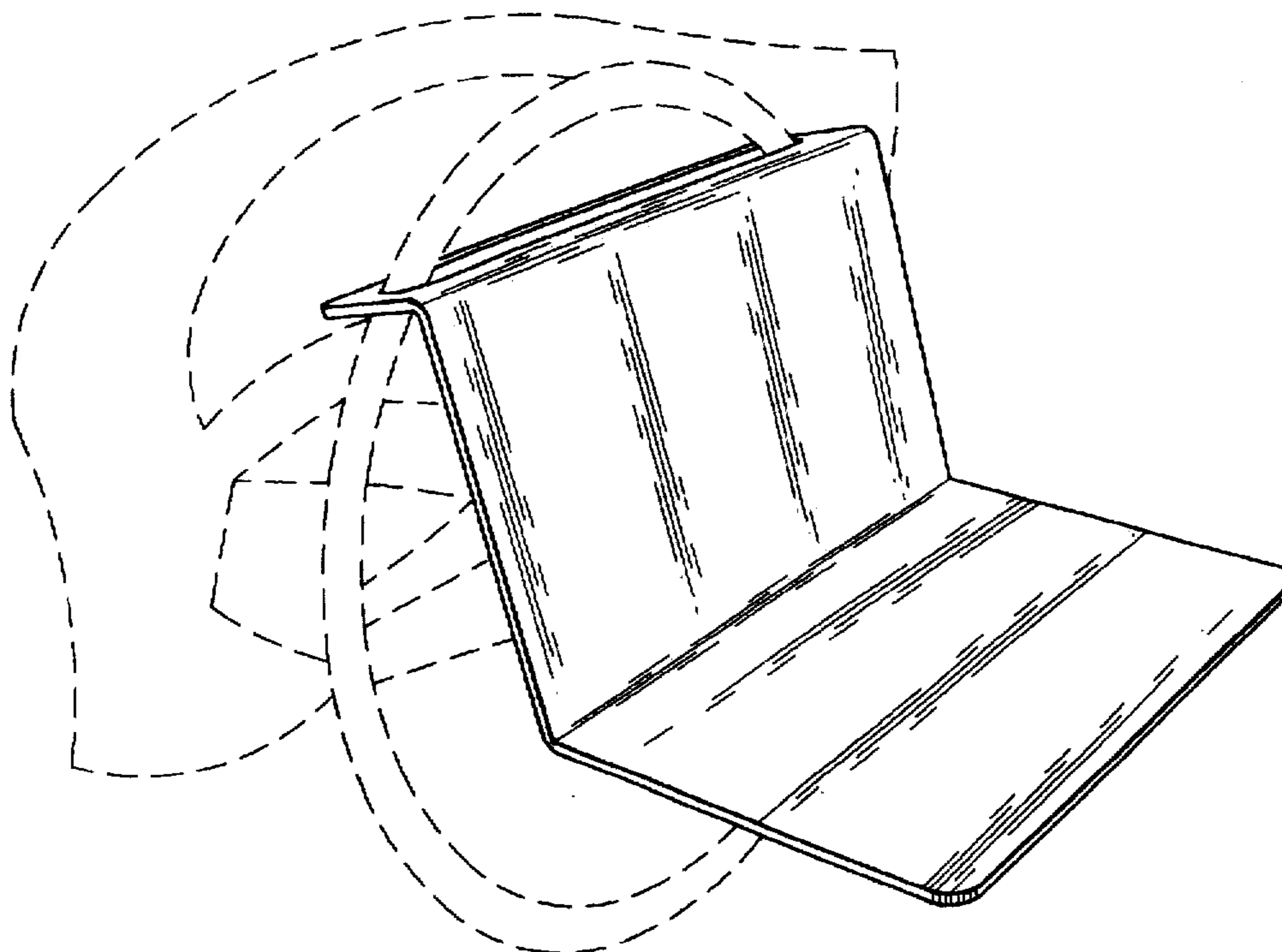


Fig. 1

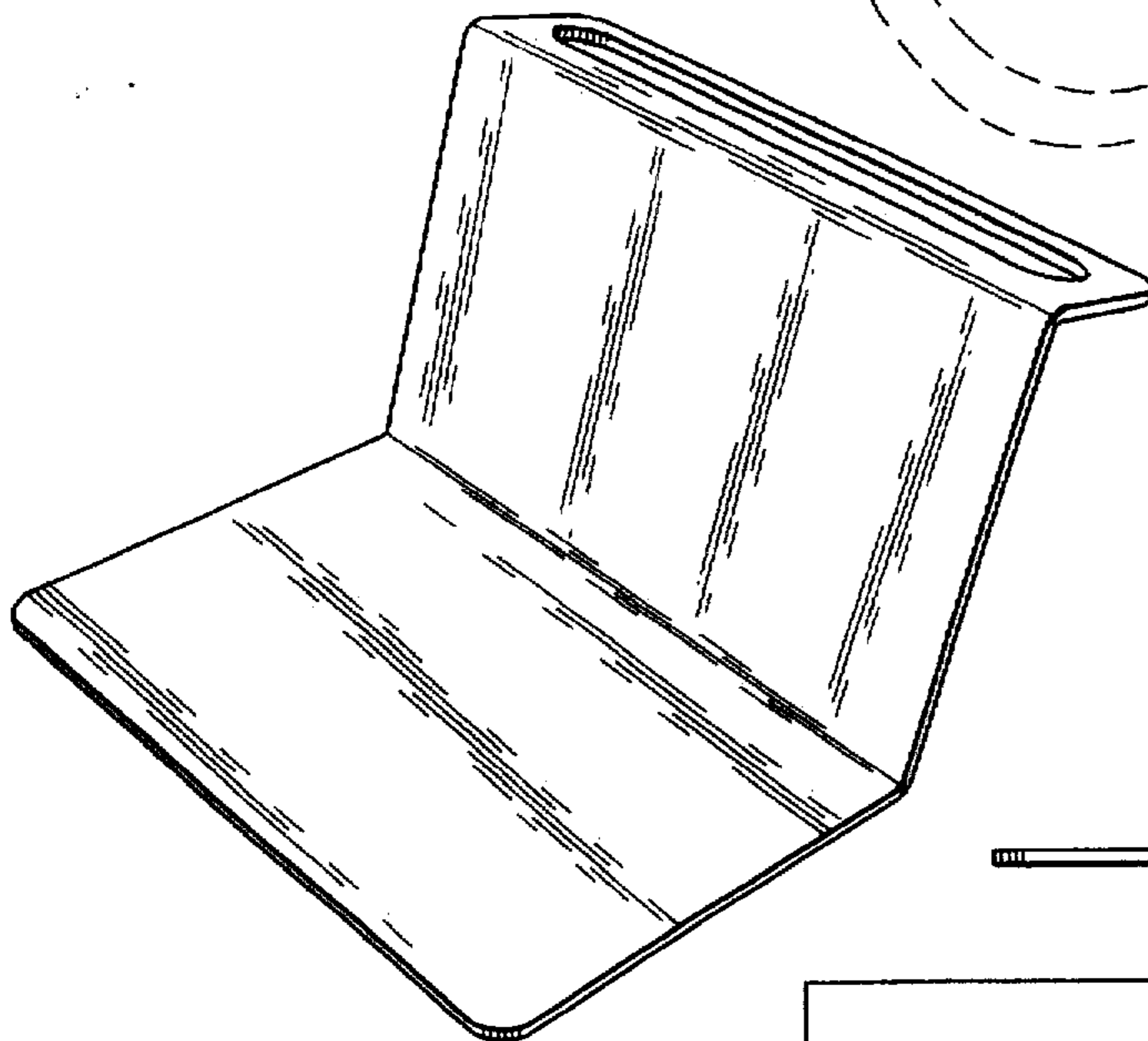
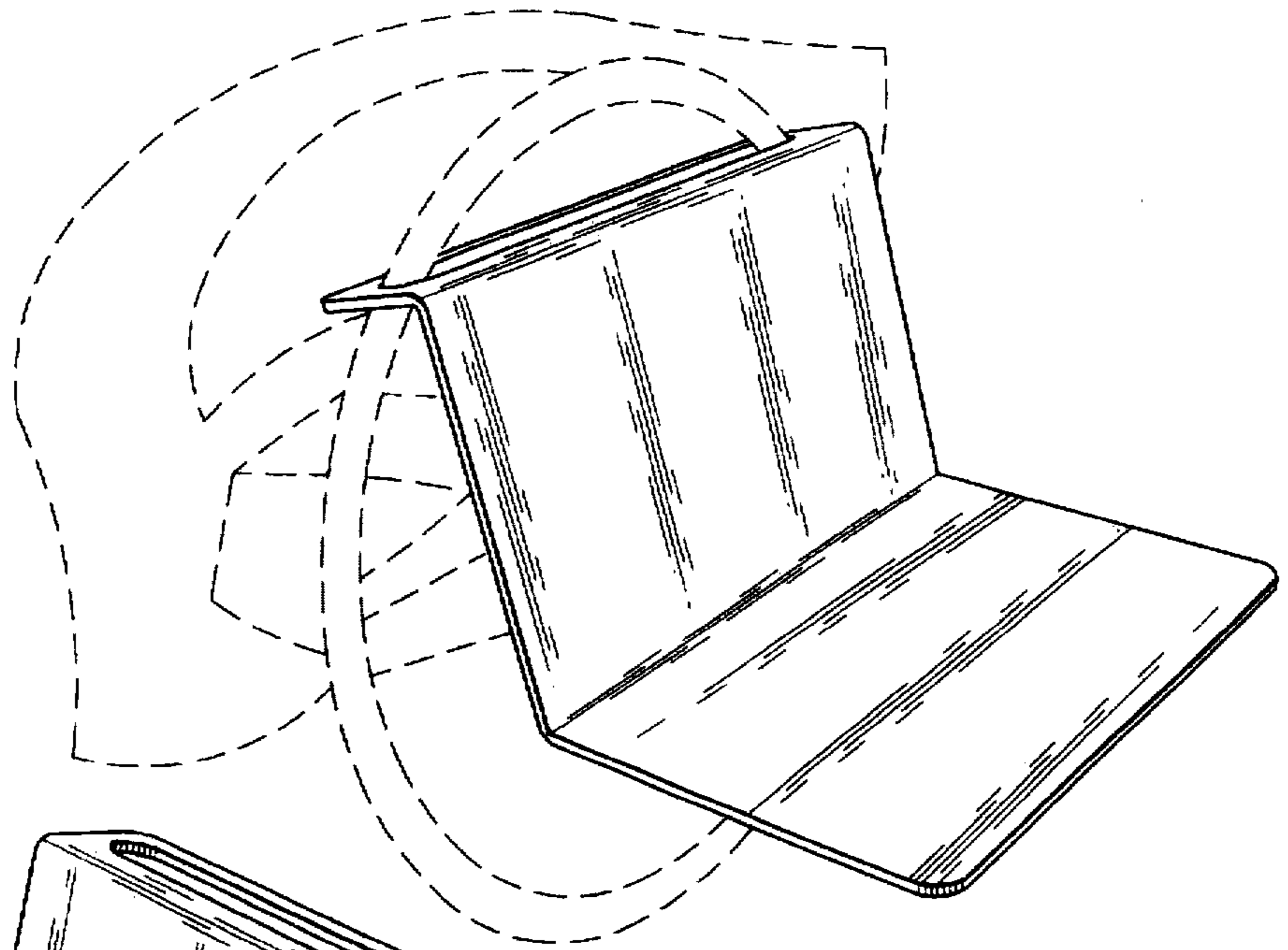


Fig. 2

Fig. 4

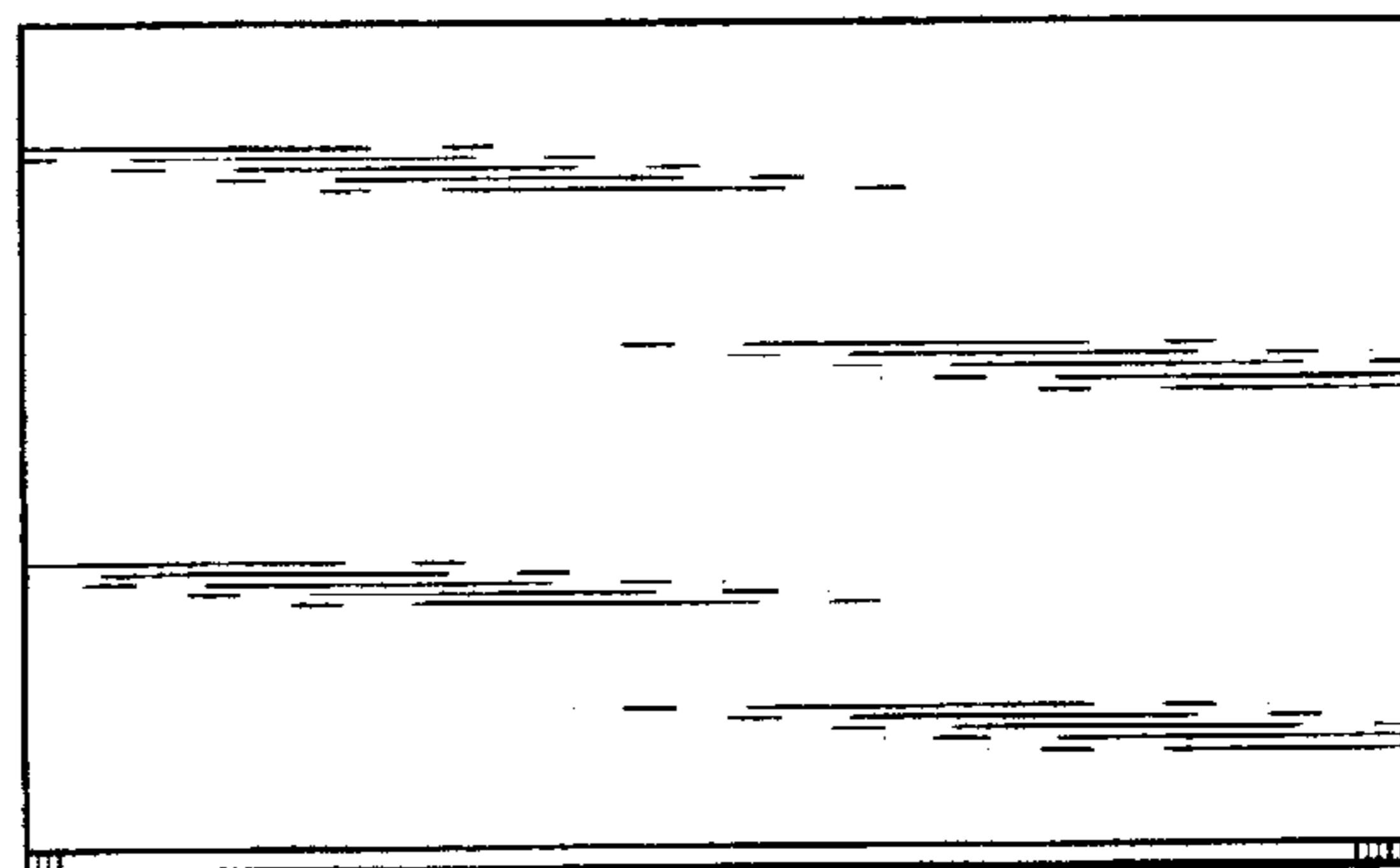
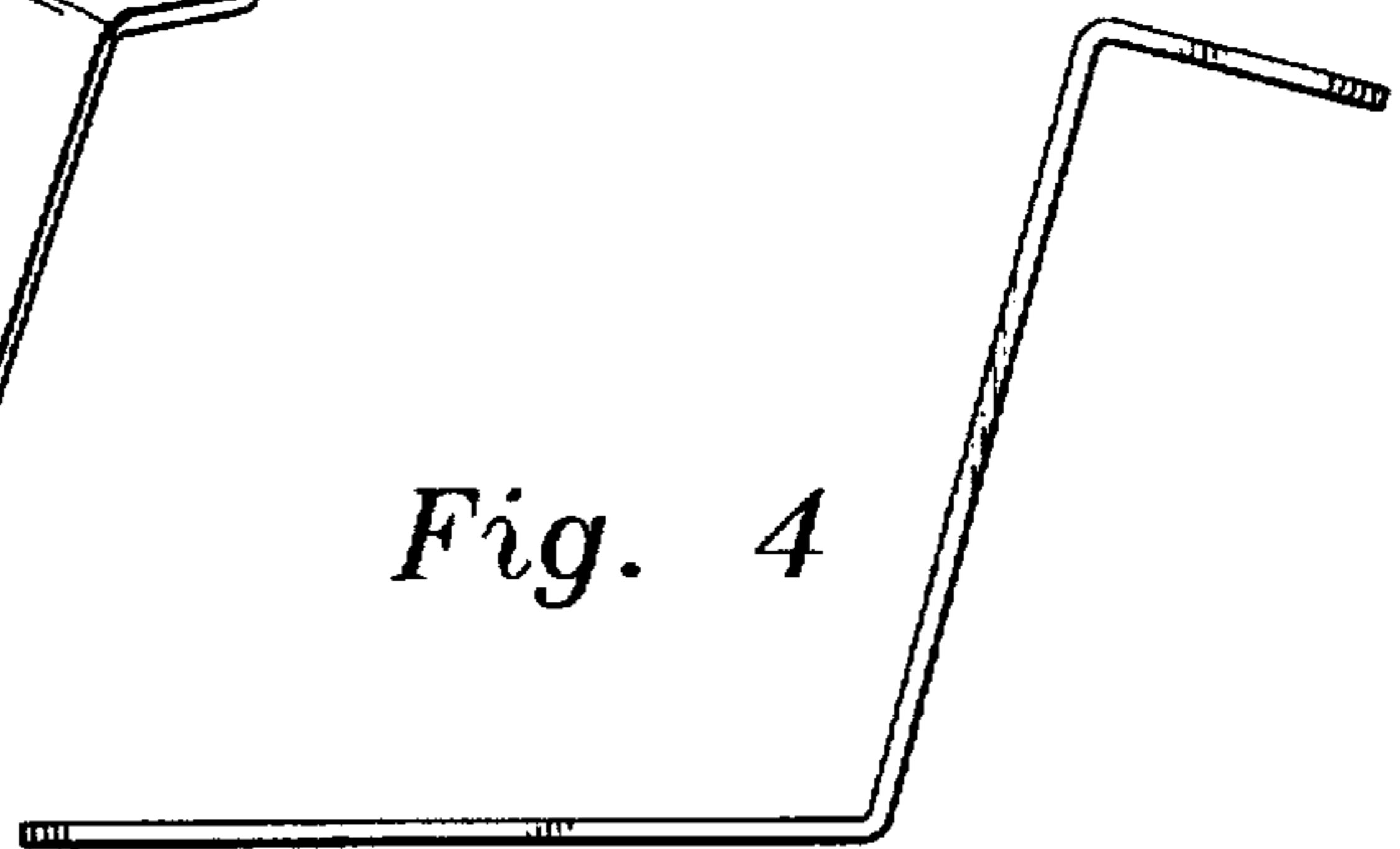


Fig. 3

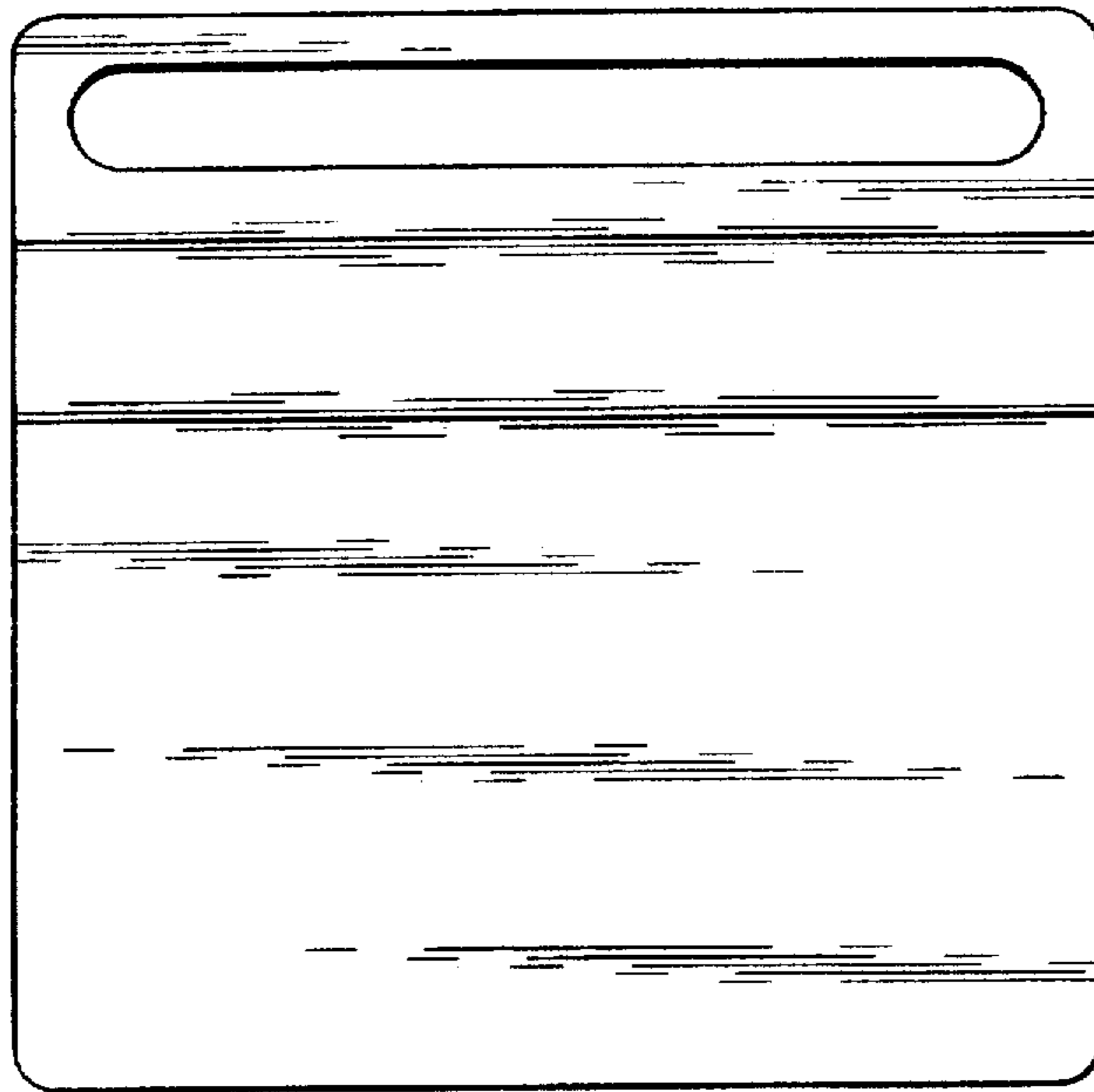


Fig. 5

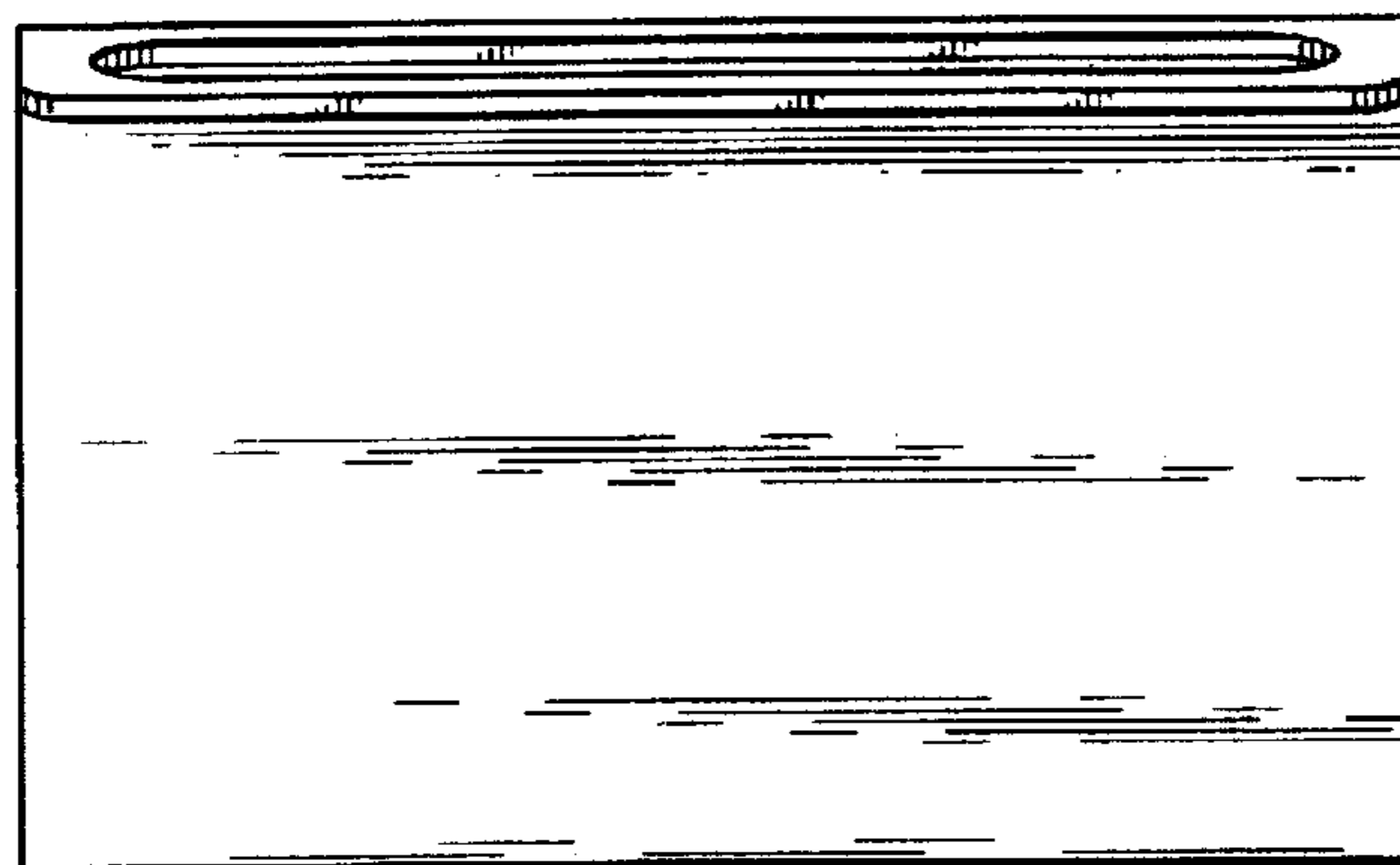


Fig. 6

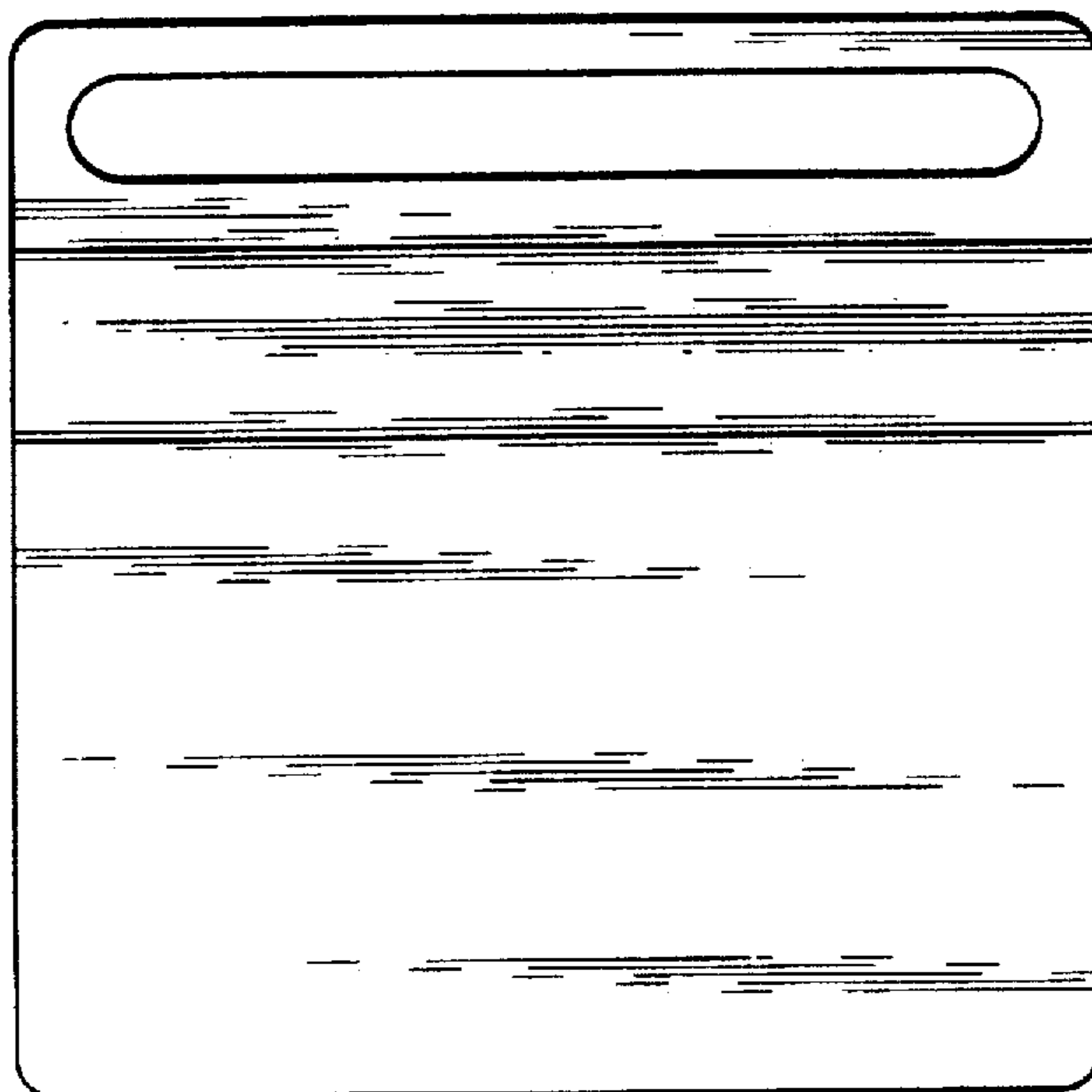


Fig. 7