



US00D393234S

**United States Patent** [19]  
**Stragier**

[11] **Patent Number:** **Des. 393,234**  
[45] **Date of Patent:** **\*\*Apr. 7, 1998**

[54] **CARGO BODY**

[75] **Inventor:** **Marcel G. Stragier**, Scottsdale, Ariz.

[73] **Assignee:** **The Heil Co.**, Chattanooga, Tenn.

[\*\*] **Term:** **14 Years**

[21] **Appl. No.:** **53,051**

[22] **Filed:** **Apr. 10, 1996**

[51] **LOC (6) Cl.** ..... **12-08**

[52] **U.S. Cl.** ..... **D12/15; D12/96**

[58] **Field of Search** ..... **D12/15, 96; D15/123; D34/3; 100/99, 100, 229 A; 414/501**

[56] **References Cited**

**U.S. PATENT DOCUMENTS**

- D. 230,147 1/1974 Bowles ..... D12/15
- D. 272,813 2/1984 Pickrell ..... D12/15
- D. 294,013 2/1988 Newfeldt ..... D12/15

*Primary Examiner*—Melody N. Brown  
*Attorney, Agent, or Firm*—Parsons & Goltry; Robert A. Parsons; Michael W. Goltry

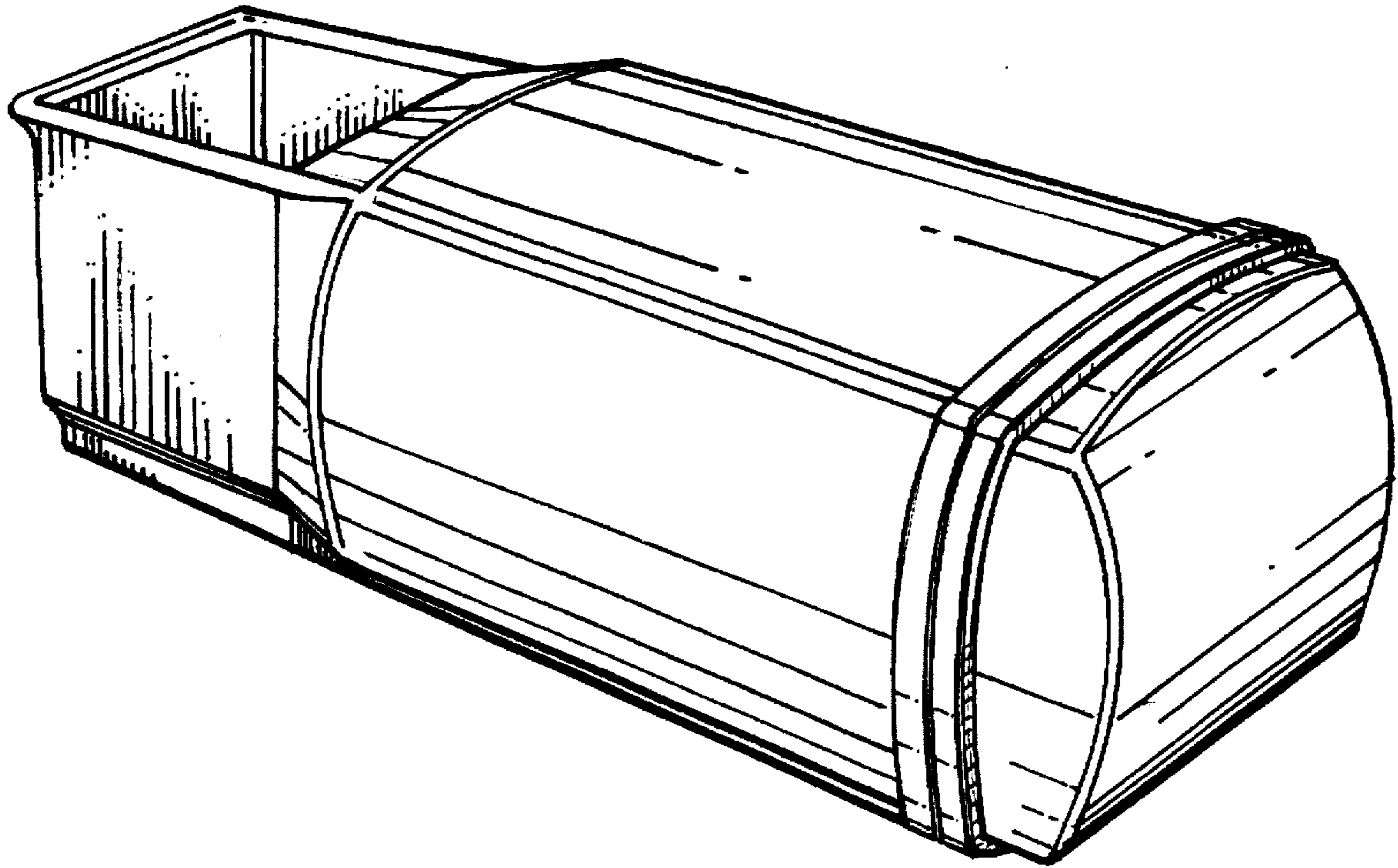
[57] **CLAIM**

The ornamental design for a cargo body, as shown and described.

**DESCRIPTION**

FIG. 1 is a perspective view of a cargo body, showing my new design therefor;  
FIG. 2 is another perspective view;  
FIG. 3 is a left side elevational view;  
FIG. 4 is a top plan view;  
FIG. 5 is a rear elevational view;  
FIG. 6 is a right side elevational view; and,  
FIG. 7 is a bottom plan view.

**1 Claim, 2 Drawing Sheets**



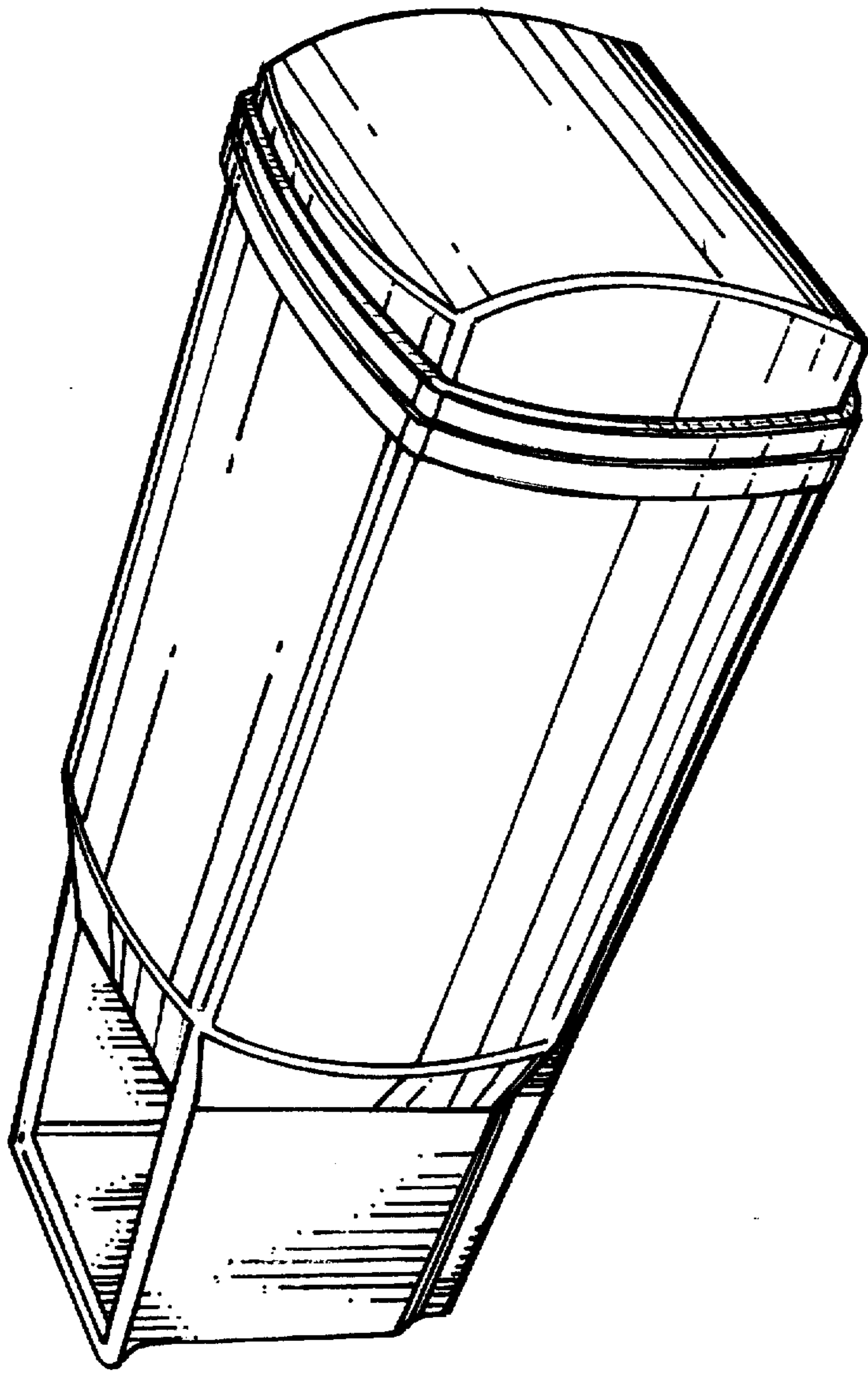


FIG. 1

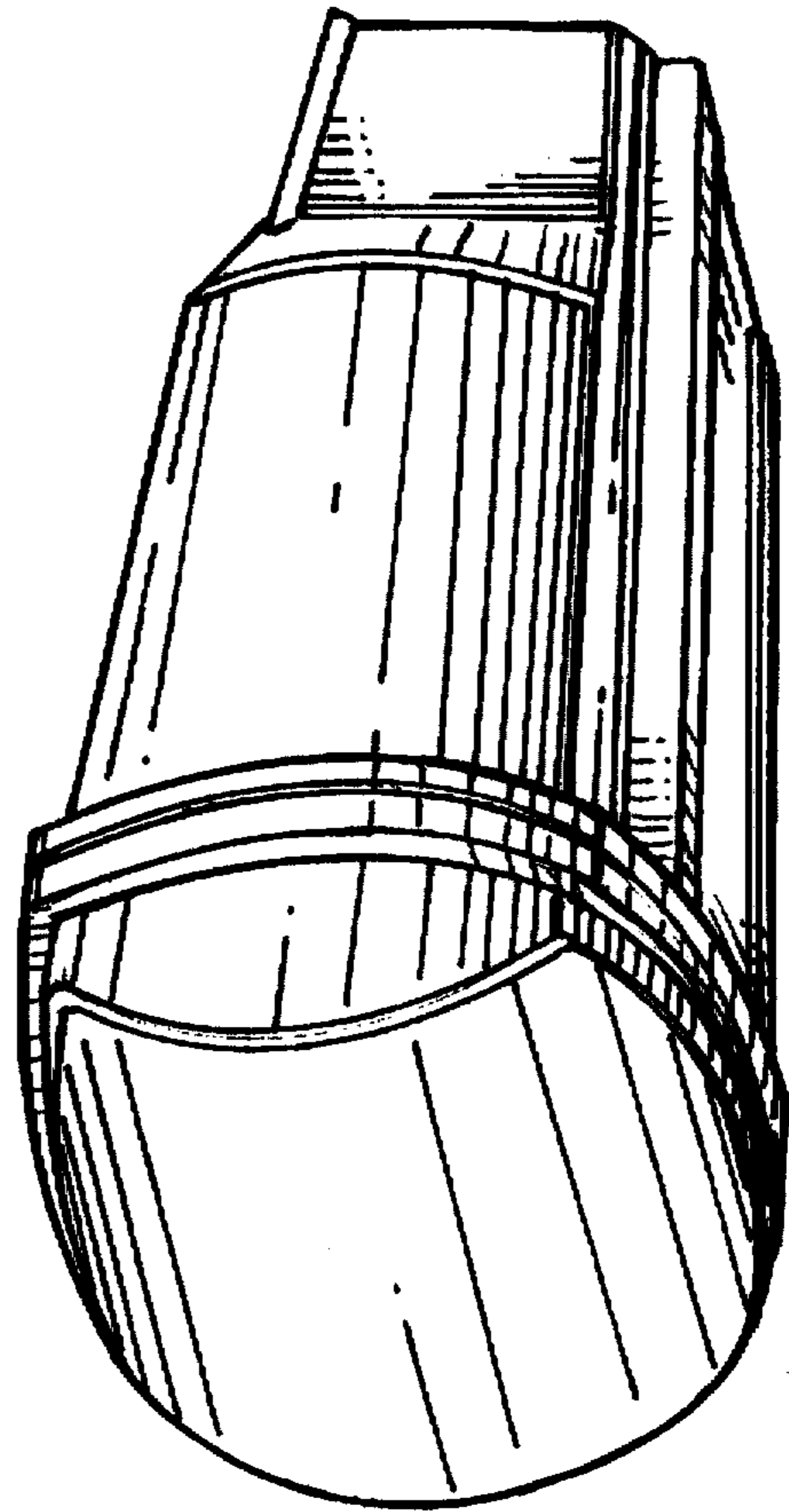


FIG. 2

FIG. 3

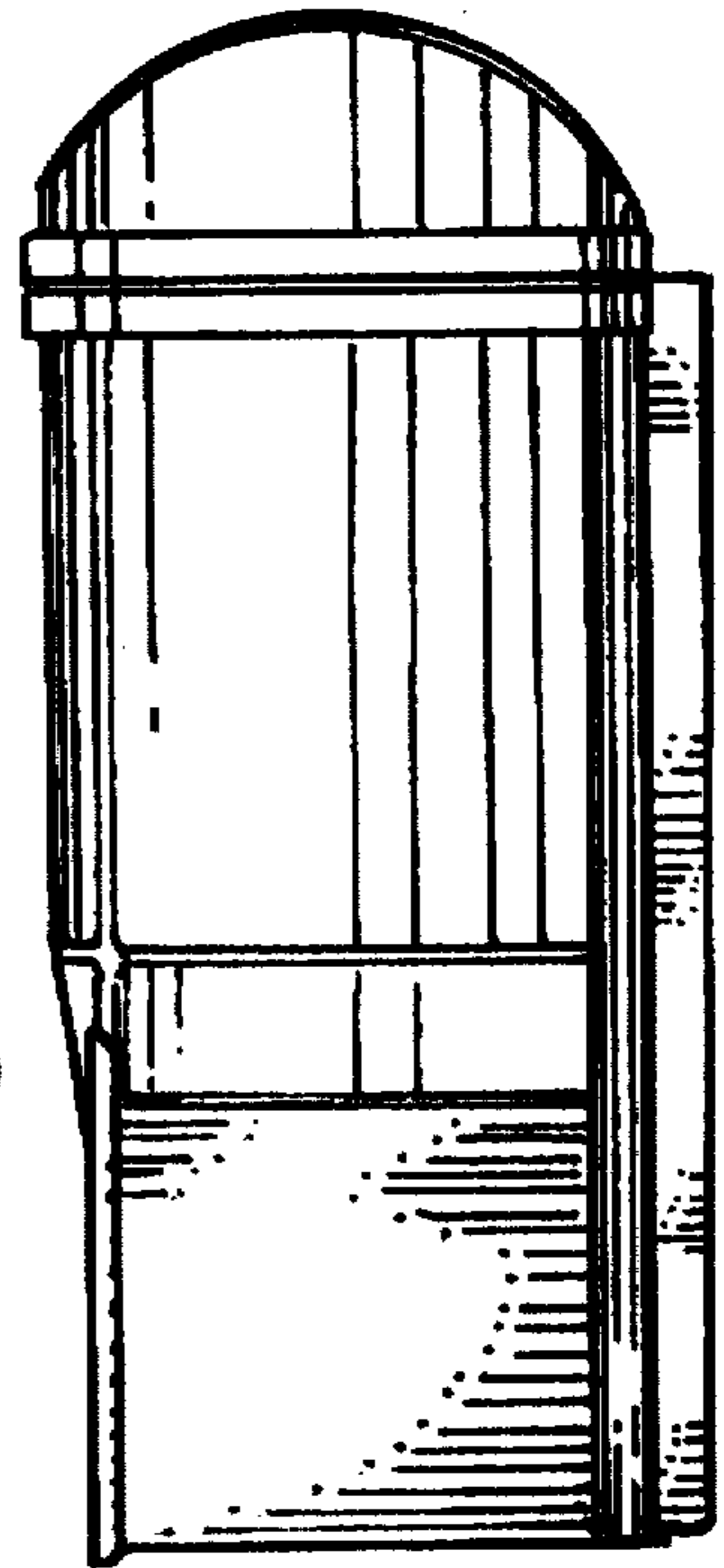


FIG. 4

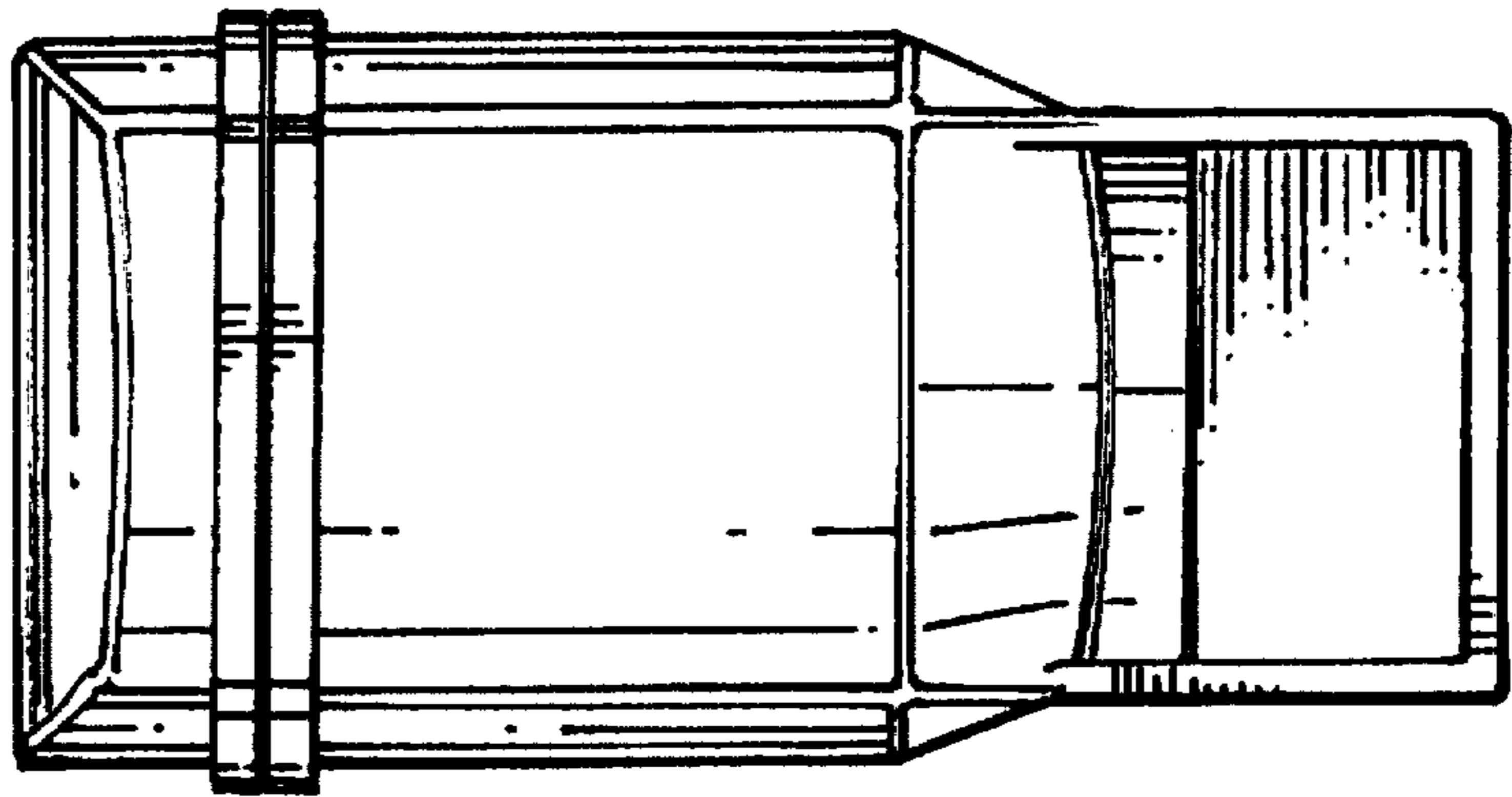


FIG. 5

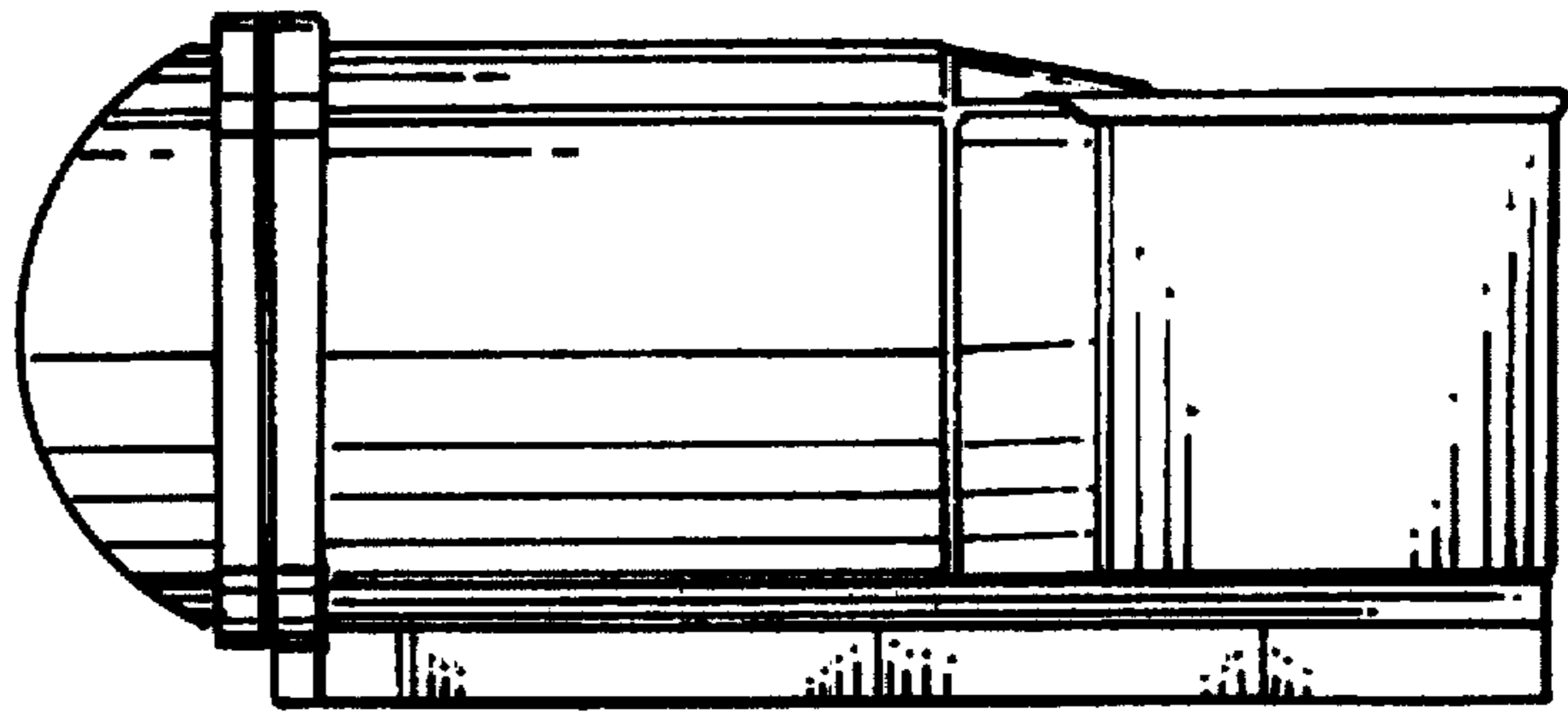
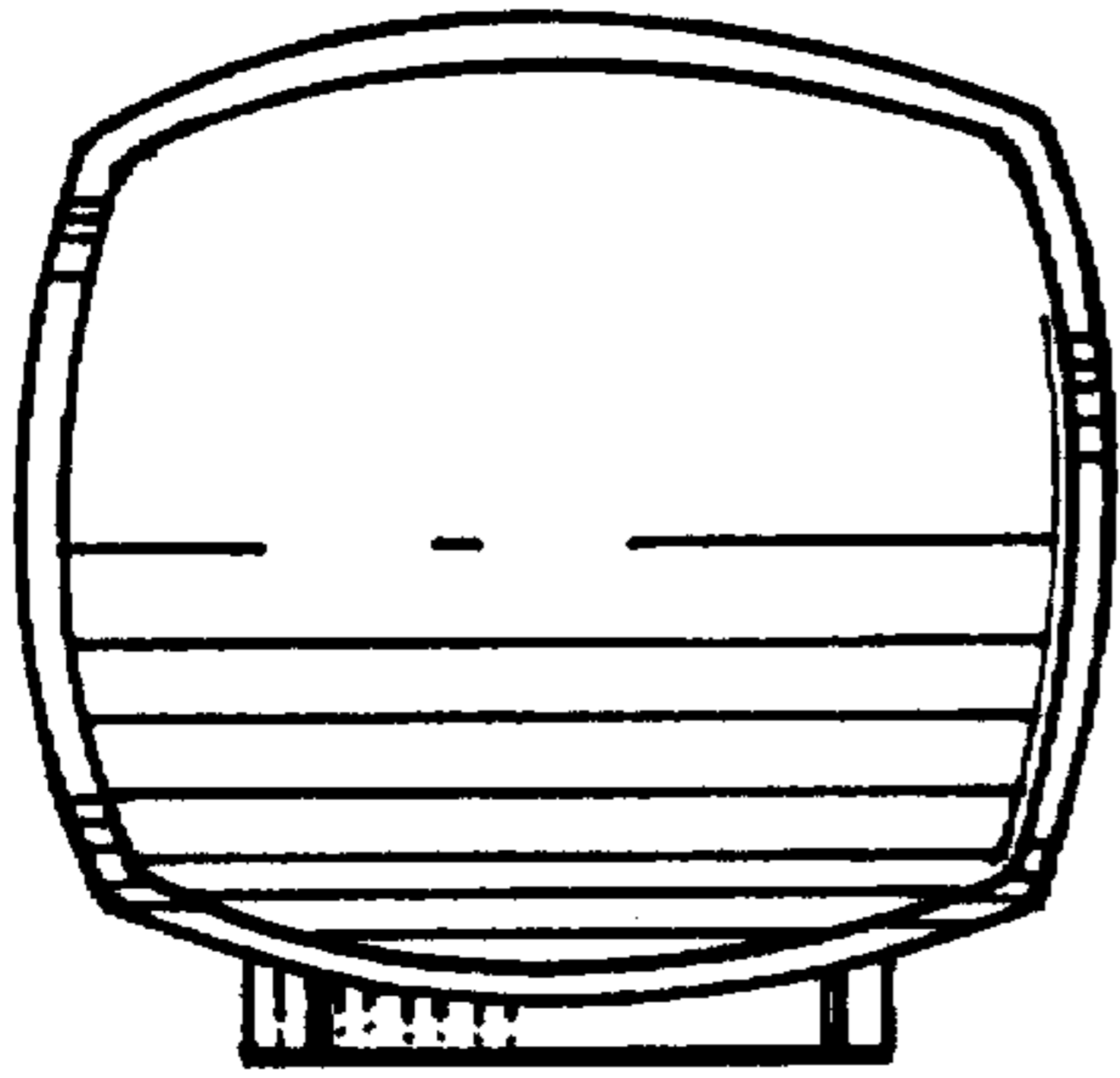


FIG. 6

FIG. 7

