

US00D393223S

United States Patent [19]
Hall

[11] **Patent Number:** **Des. 393,223**
[45] **Date of Patent:** ****Apr. 7, 1998**

[54] **PUSH BUTTON DEER CALL**

[76] **Inventor:** **Stanley J. Hall**, 443 Wells Rd.,
Doylestown, Pa. 18901

[**] **Term:** **14 Years**

[21] **Appl. No.:** **70,275**

[22] **Filed:** **May 5, 1997**

[51] **LOC (6) Cl.** **10-05**

[52] **U.S. Cl.** **D10/119**

[58] **Field of Search** **D10/116, 118,**
D10/119, 120, 121; 446/201-216

[56] **References Cited**

U.S. PATENT DOCUMENTS

D. 247,785	4/1978	Ehrich	D10/119
D. 312,056	11/1990	Ady	D10/119
D. 365,854	1/1996	Mathews	D10/119
2,915,851	12/1959	Ringman	D10/119
3,020,675	2/1962	Boecker	.	
3,029,554	4/1962	Mobley	.	
5,577,946	11/1996	Oathout	.	

OTHER PUBLICATIONS

Deer Call Advertisement, Joe Hall's Shooting Products Inc.,
one page prior to May 5, 1997.

Primary Examiner—Marcus A. Jackson

Attorney, Agent, or Firm—Howson and Howson

[57] **CLAIM**

The ornamental design for the push button deer call, is as shown and described.

DESCRIPTION

FIG. 1 is a perspective view of a push button deer call embodying my new design having a mouthpiece and an extendable tube;

FIG. 2 is a top plan view thereof;

FIG. 3 is a bottom plan view thereof;

FIG. 4 is a left side elevational view thereof, the right side elevational view being a mirror image thereof;

FIG. 5 is a front elevational view looking into the mouthpiece thereof;

FIG. 6 is a rear elevational view opposite the mouthpiece thereof; and,

FIG. 7 is a perspective view of the deer caller of FIG. 1 with the extendable tube in an extended position.

1 Claim, 4 Drawing Sheets

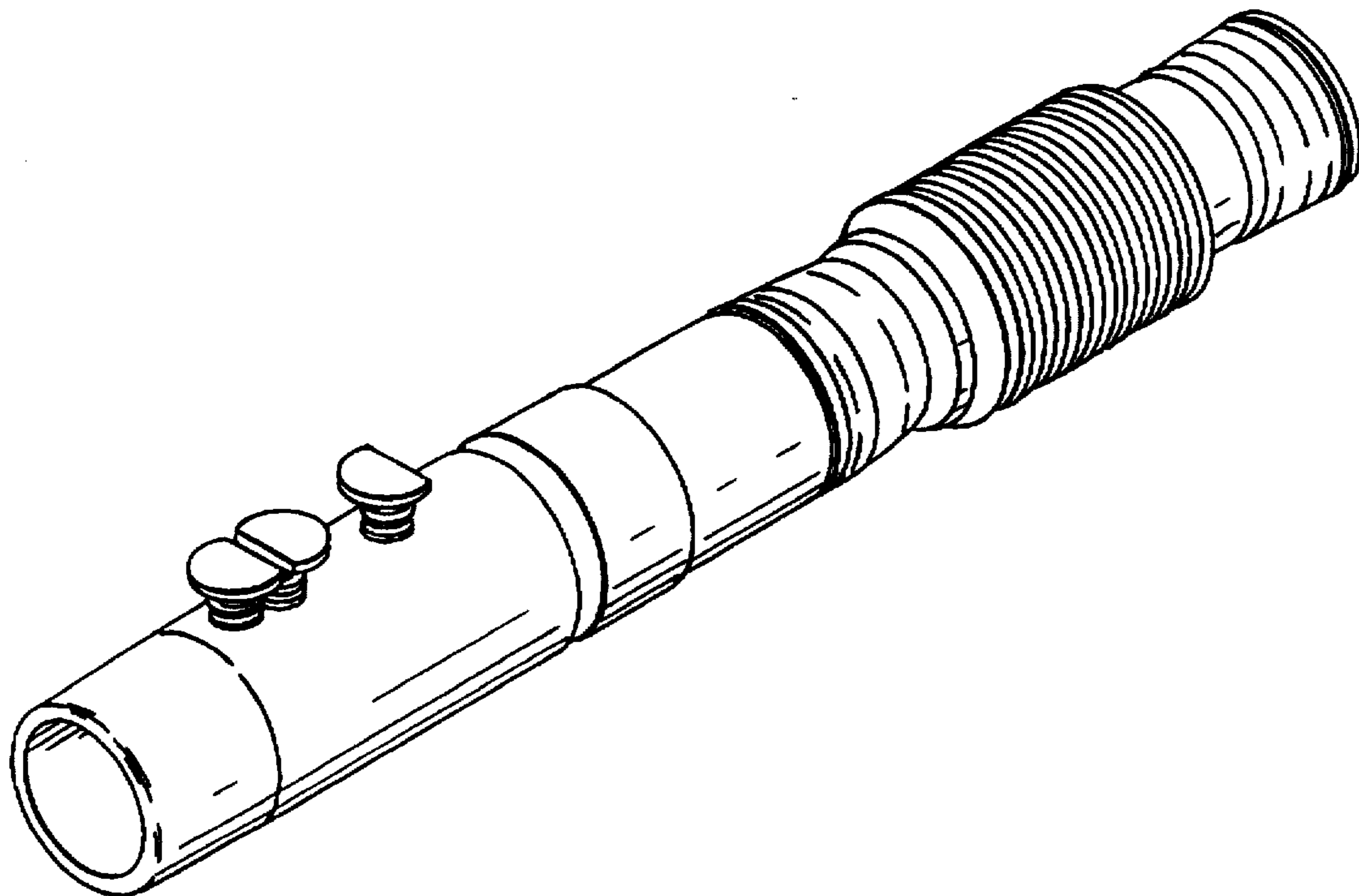


FIG. 1

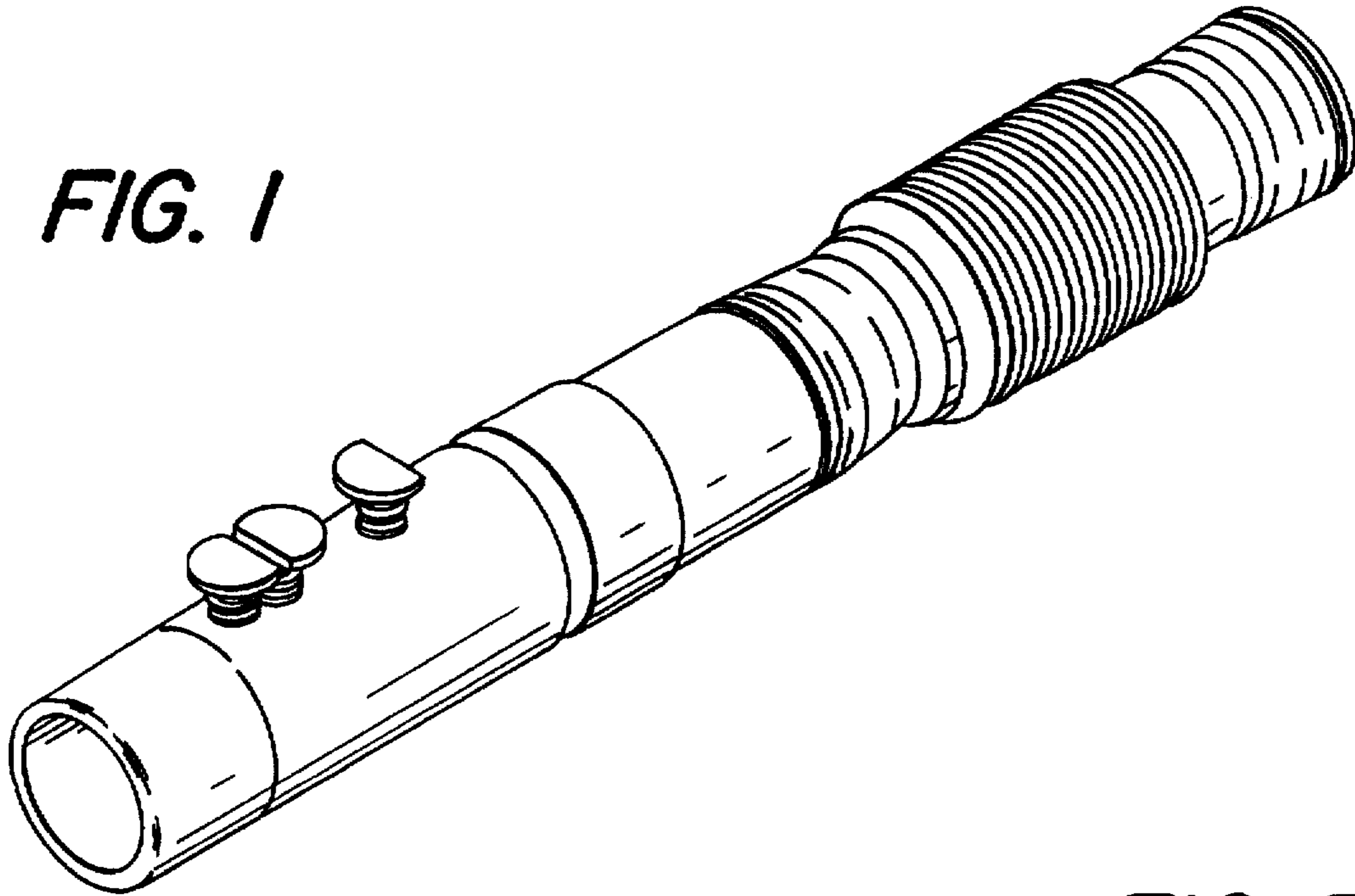


FIG. 5

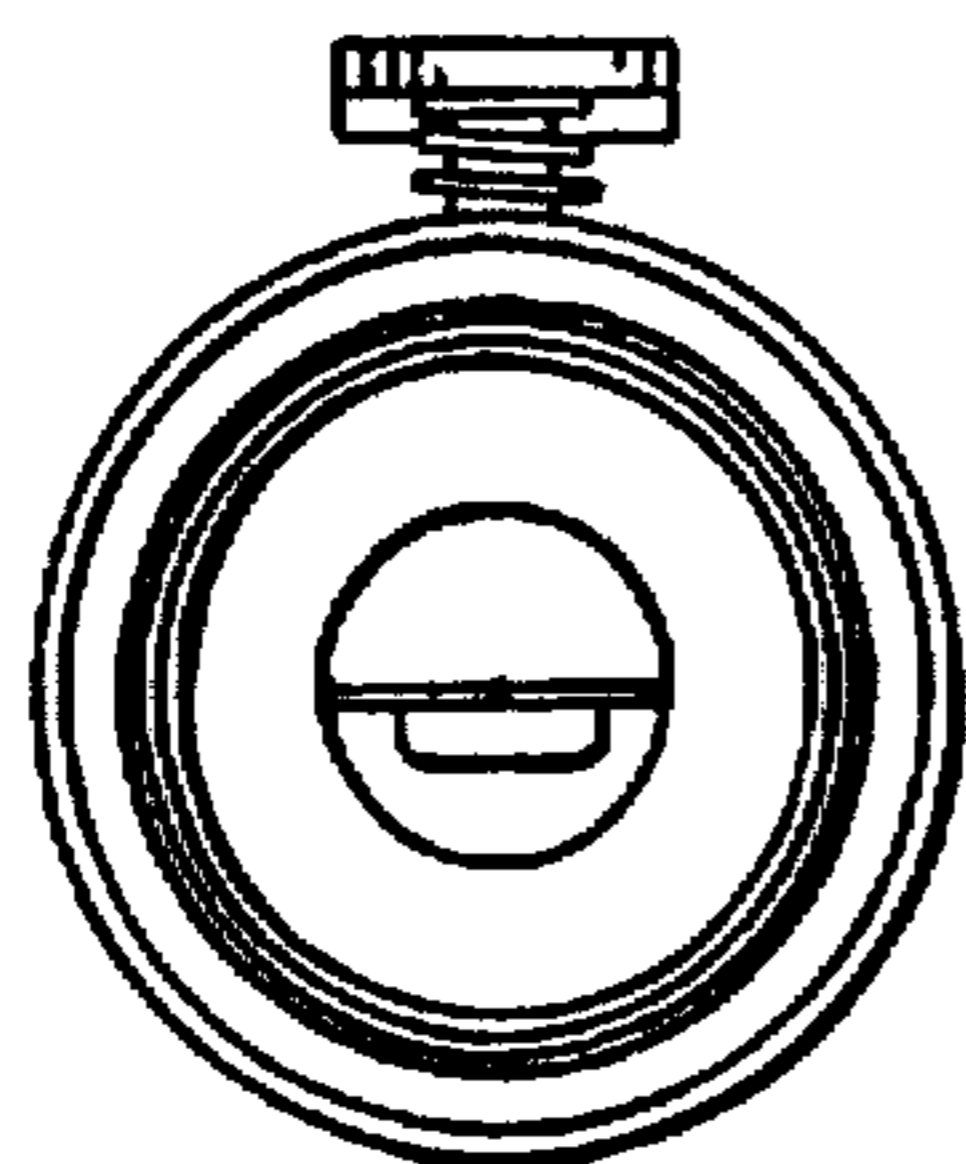
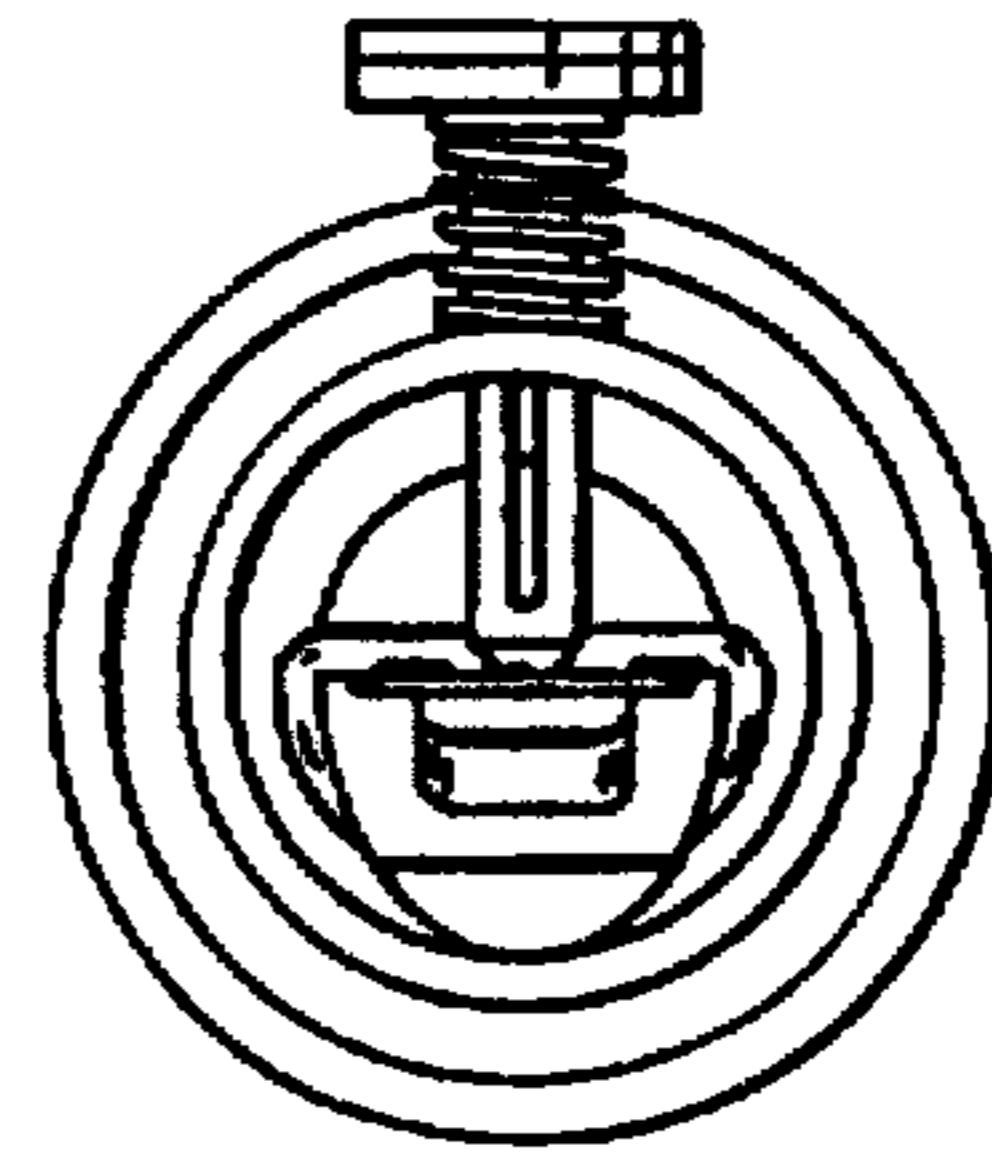


FIG. 6

FIG. 2

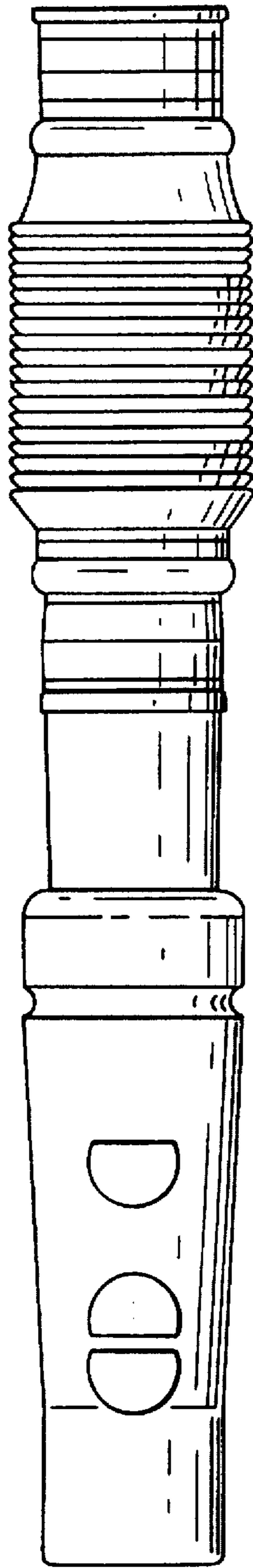
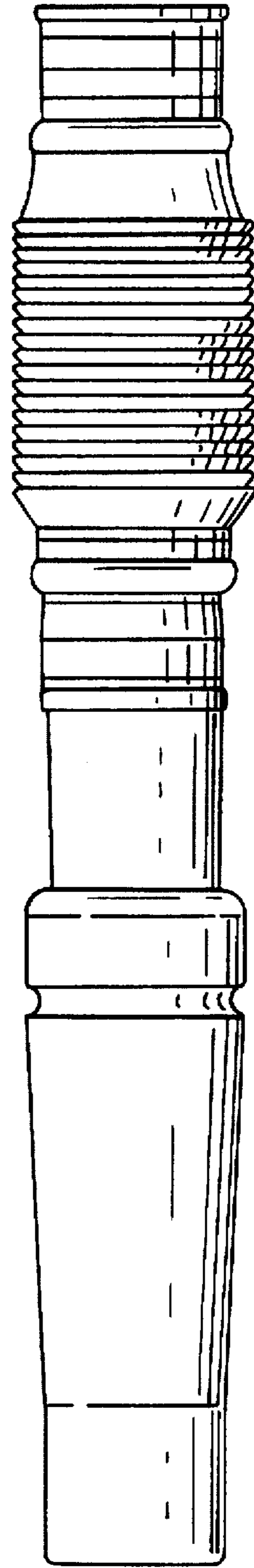


FIG. 3



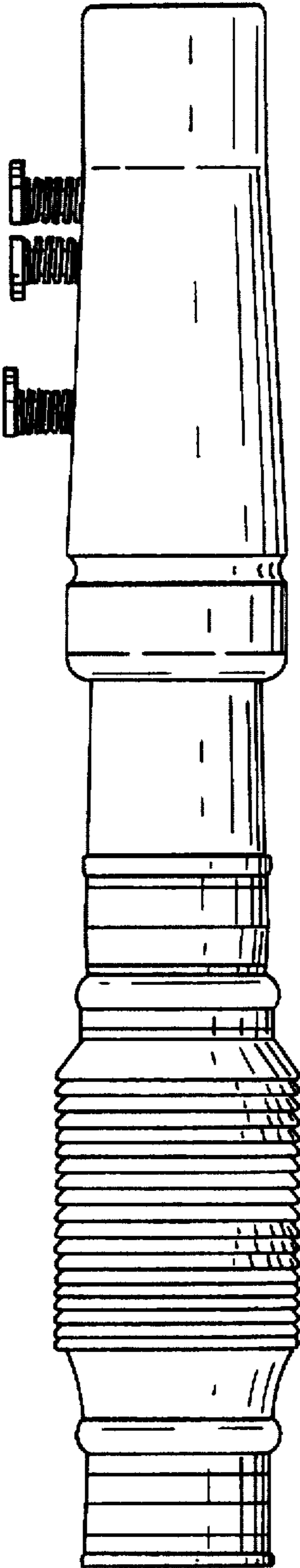


FIG. 4

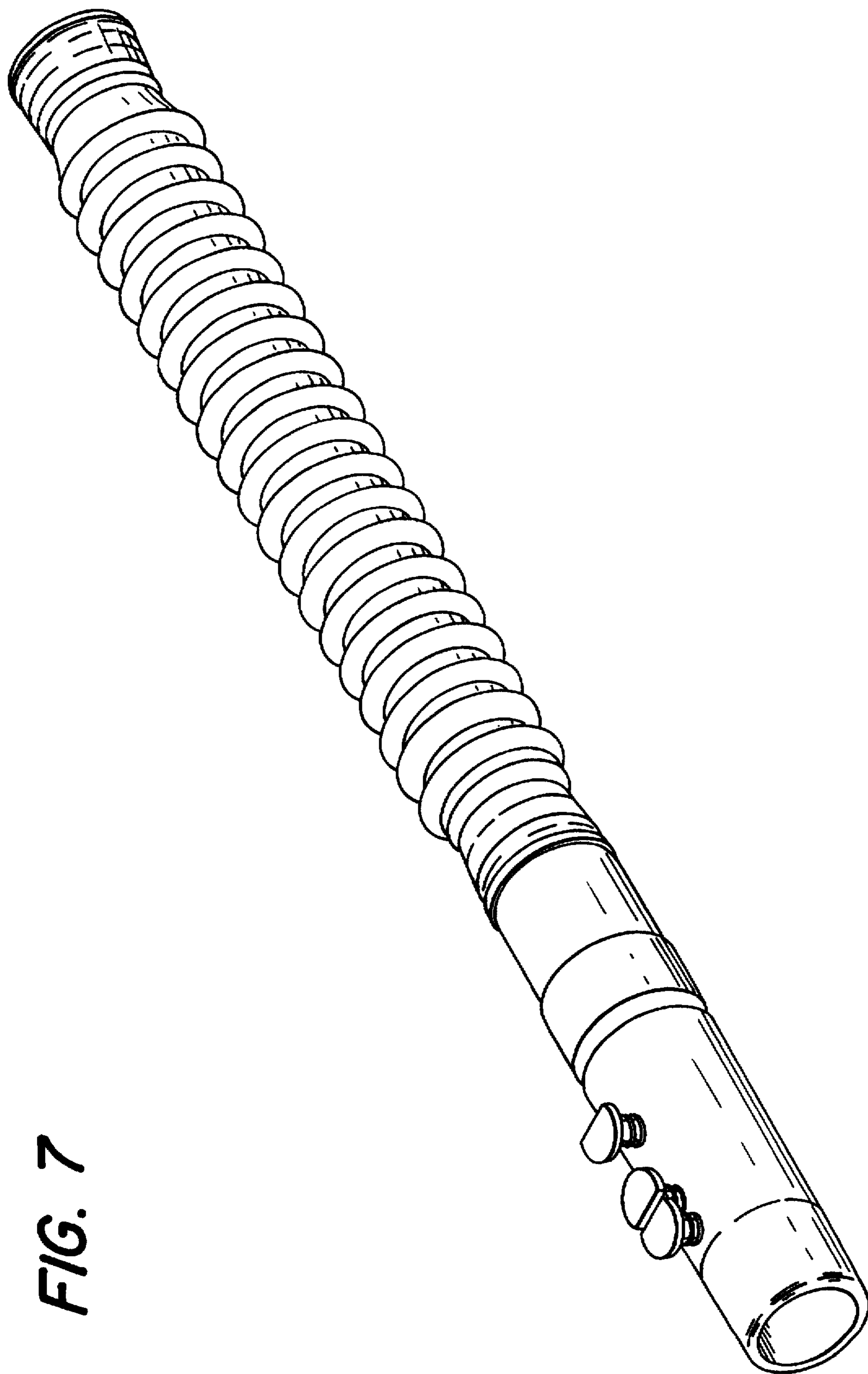


FIG. 7