



US00D393222S

United States Patent [19]
Wang

[11] **Patent Number:** **Des. 393,222**
[45] **Date of Patent:** ****Apr. 7, 1998**

[54] **BATTERY TESTER**

[75] **Inventor:** **Kuo-Hsiang Wang, Taipei, Taiwan**

[73] **Assignee:** **Stuart Instrument Co., Ltd., Taipei, Taiwan**

[**] **Term:** **14 Years**

[21] **Appl. No.:** **73,760**

[22] **Filed:** **Jul. 16, 1997**

[51] **LOC (6) Cl.** **10-04**

[52] **U.S. Cl.** **D10/77; D10/78**

[58] **Field of Search** **D10/78, 77; 320/48; 324/430, 435, 710, 156; 340/636; 429/90-93**

[56] **References Cited**

U.S. PATENT DOCUMENTS

D. 330,519 10/1992 Wang D10/77
5,538,806 7/1996 Weiss et al. 429/90

Primary Examiner—Antoine Duval Davis
Attorney, Agent, or Firm—Finnegan, Henderson, Farabow, Garrett & Dunner

[57] **CLAIM**

The ornamental design for a battery tester, as shown and described.

DESCRIPTION

FIG. 1 is a perspective view of battery tester showing my new design;

FIG. 2 is a front elevational view thereof;

FIG. 3 is a rear elevational view thereof;

FIG. 4 is a left side elevational view thereof;

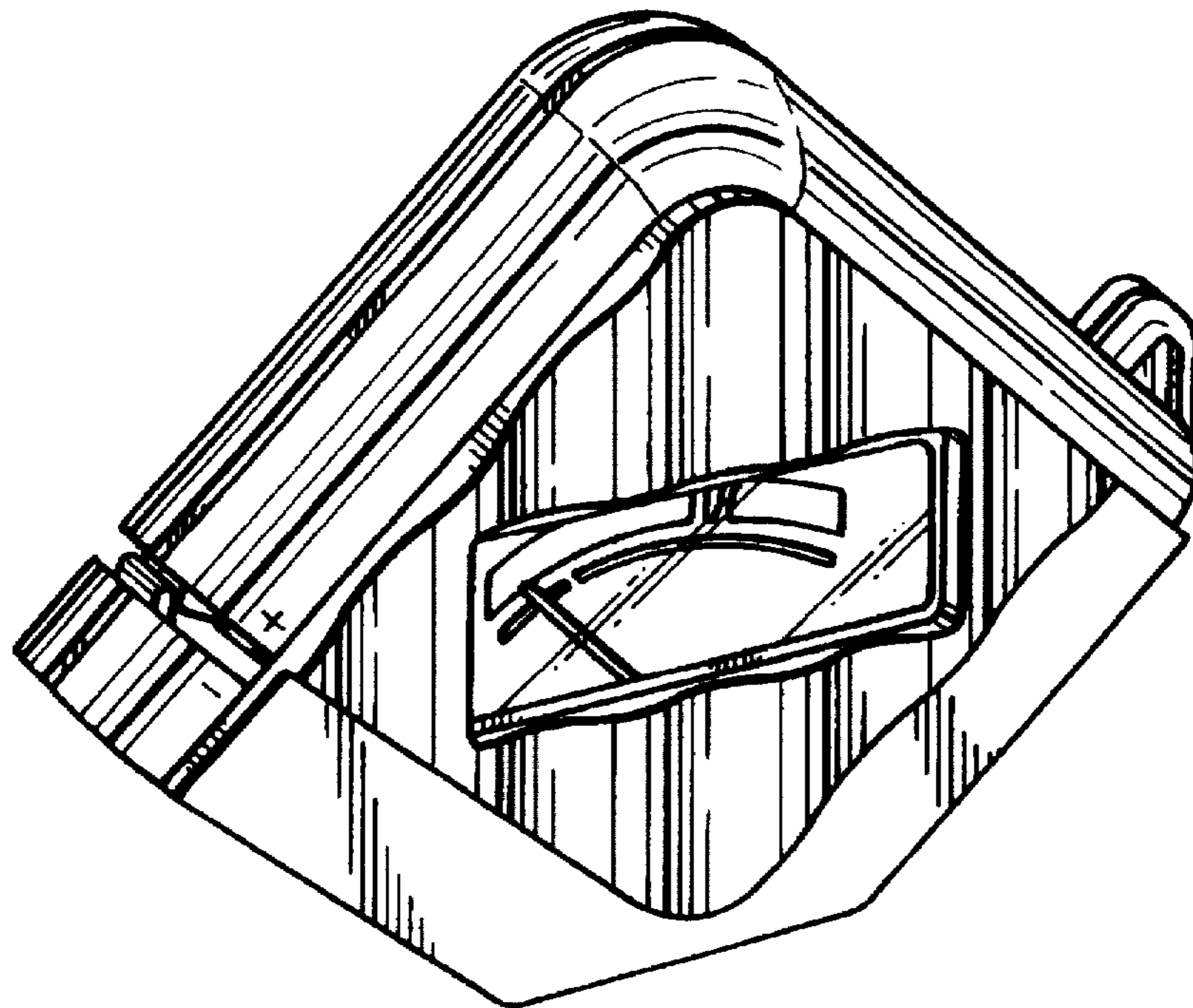
FIG. 5 is a right side elevational view thereof;

FIG. 6 is a top plan view thereof;

FIG. 7 is a bottom plan view thereof; and,

FIG. 8 is a perspective view thereof when in use.

1 Claim, 5 Drawing Sheets



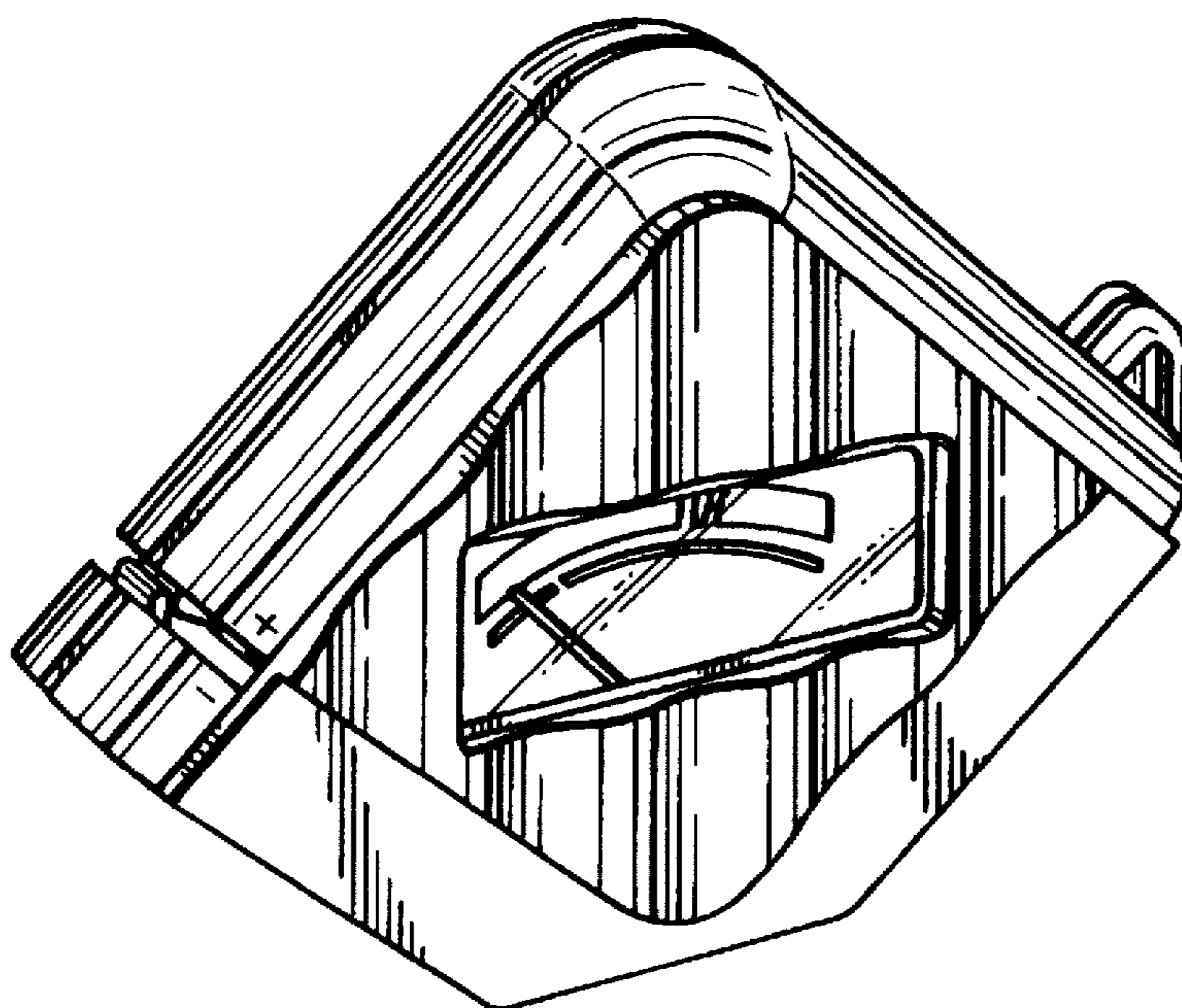


FIG. 1

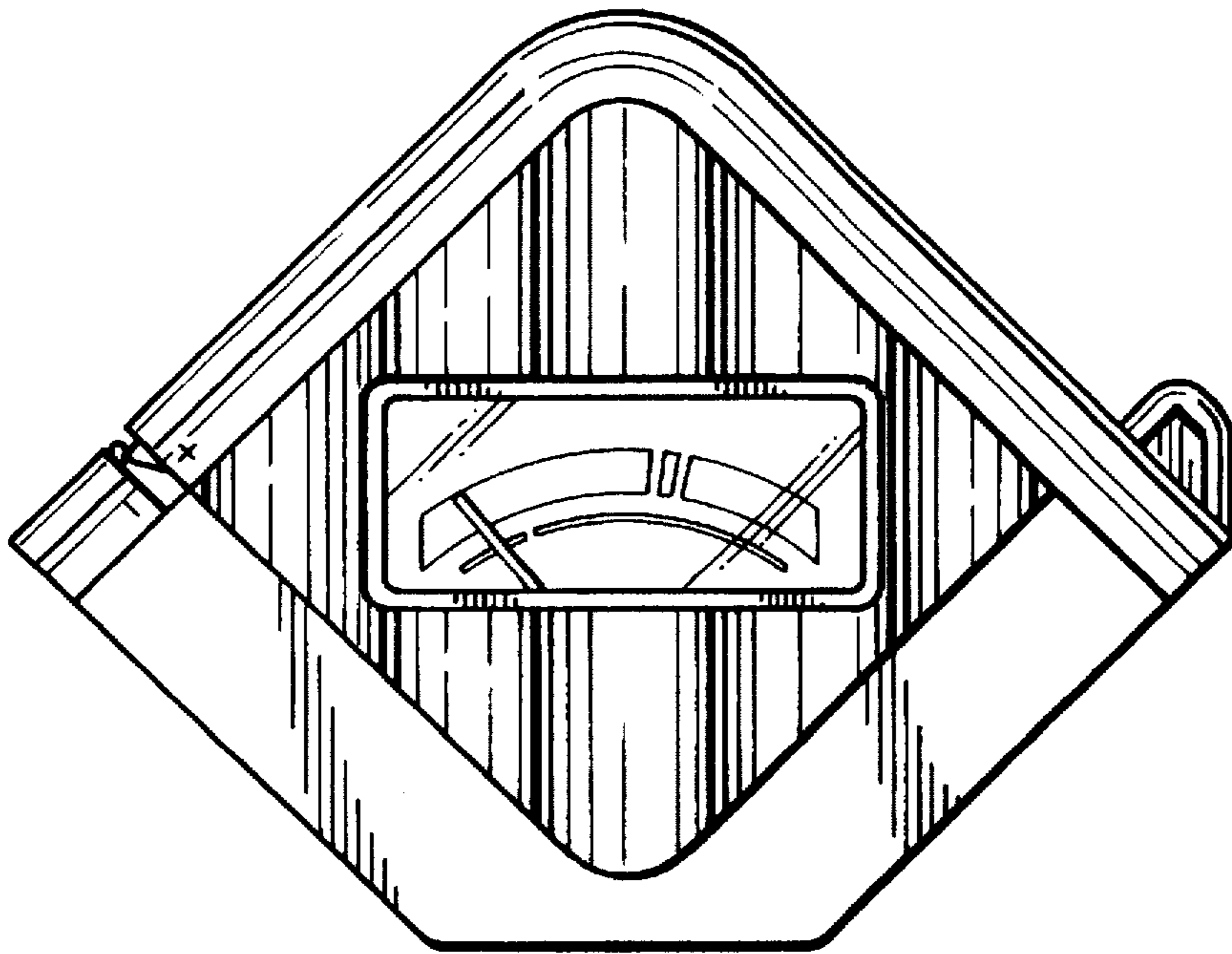


FIG. 2

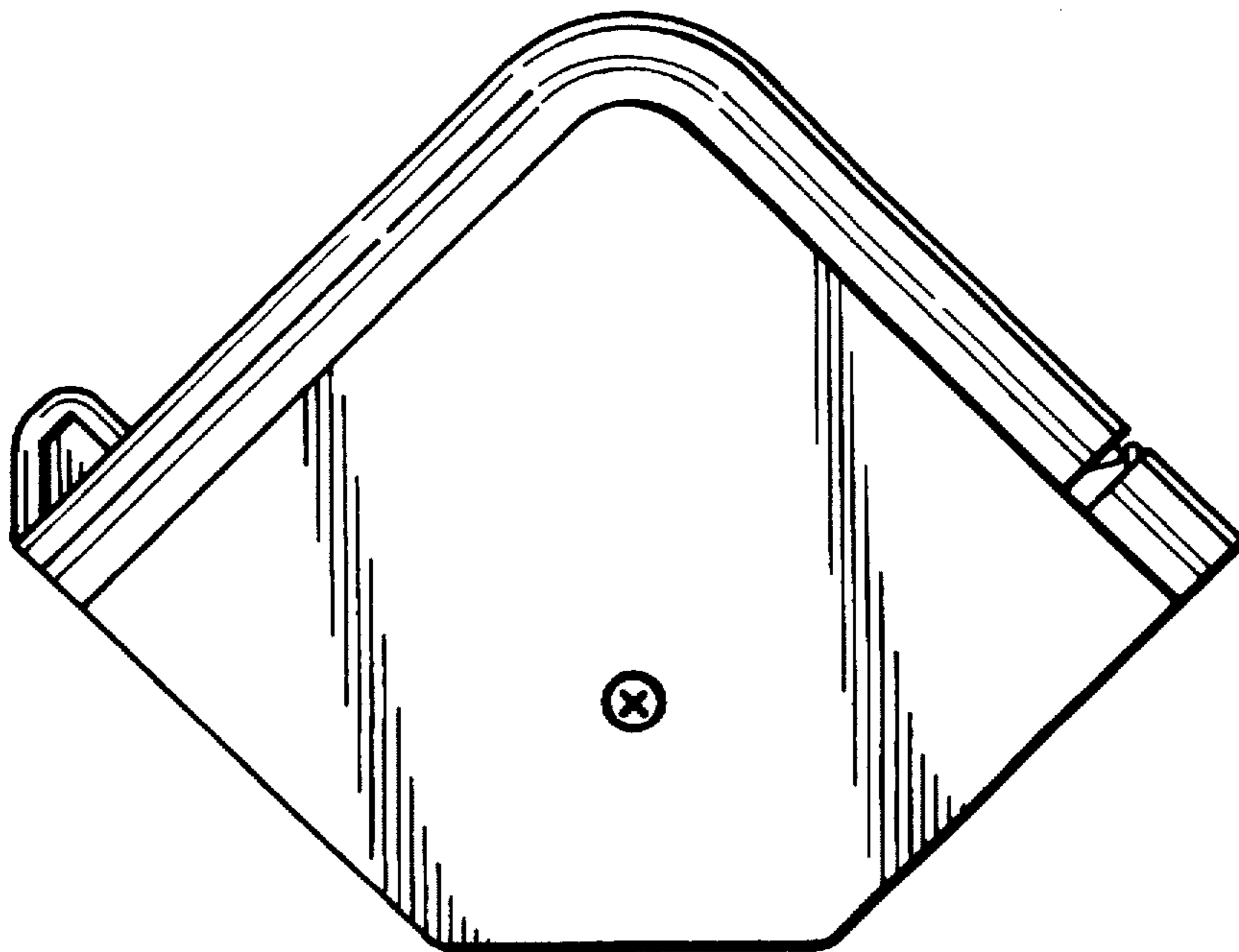


FIG. 3

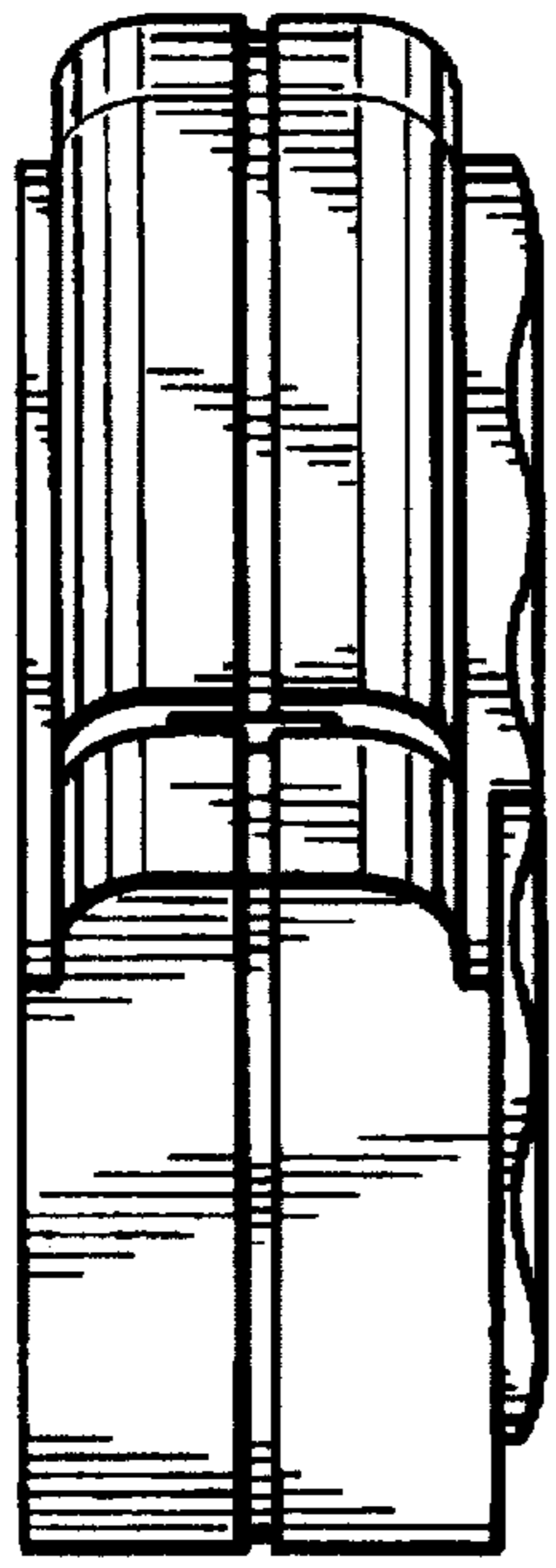


FIG. 4

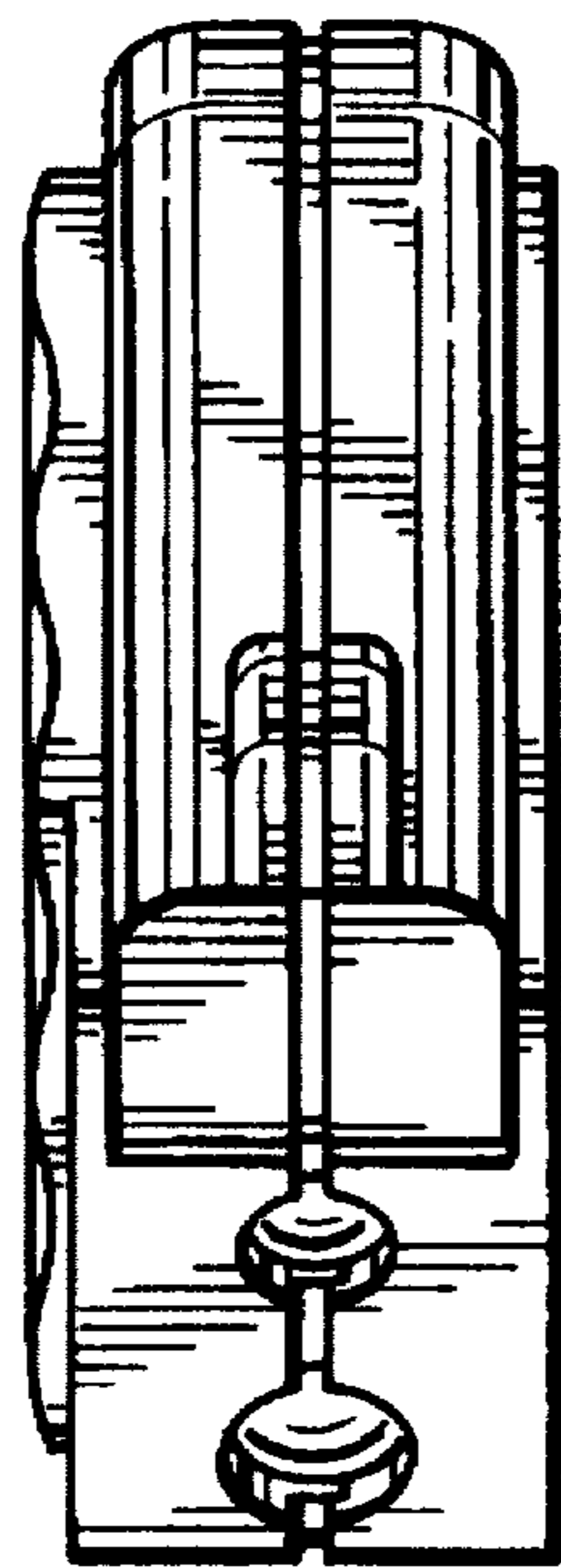


FIG. 5

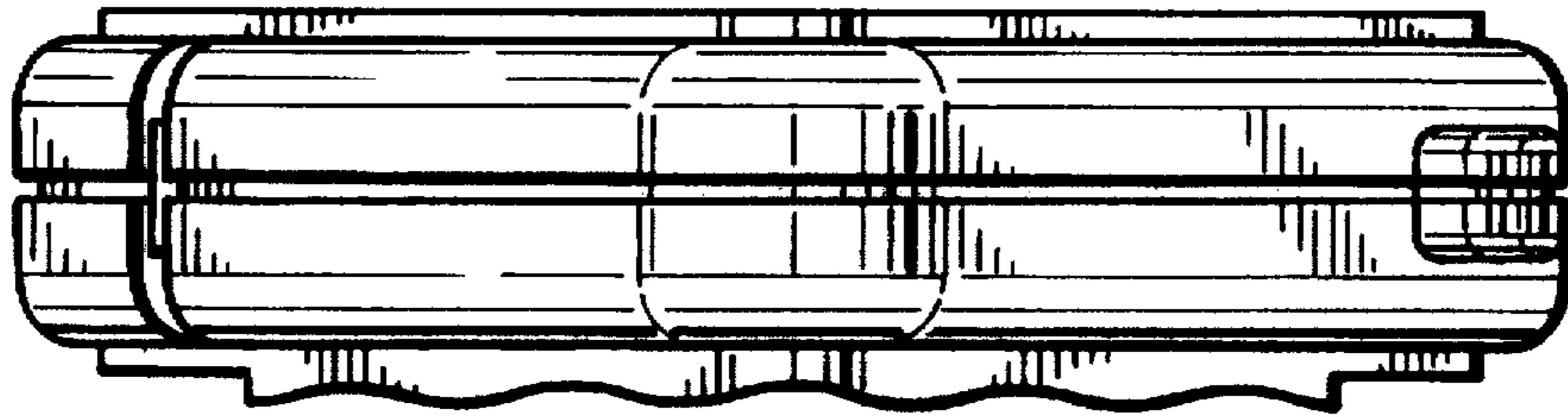


FIG. 6

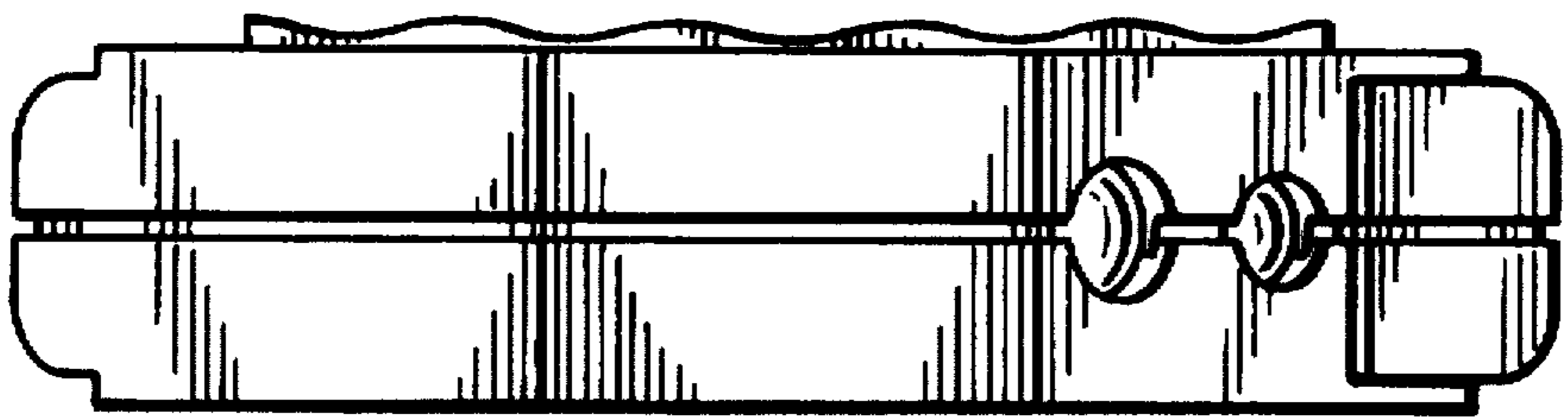


FIG. 7

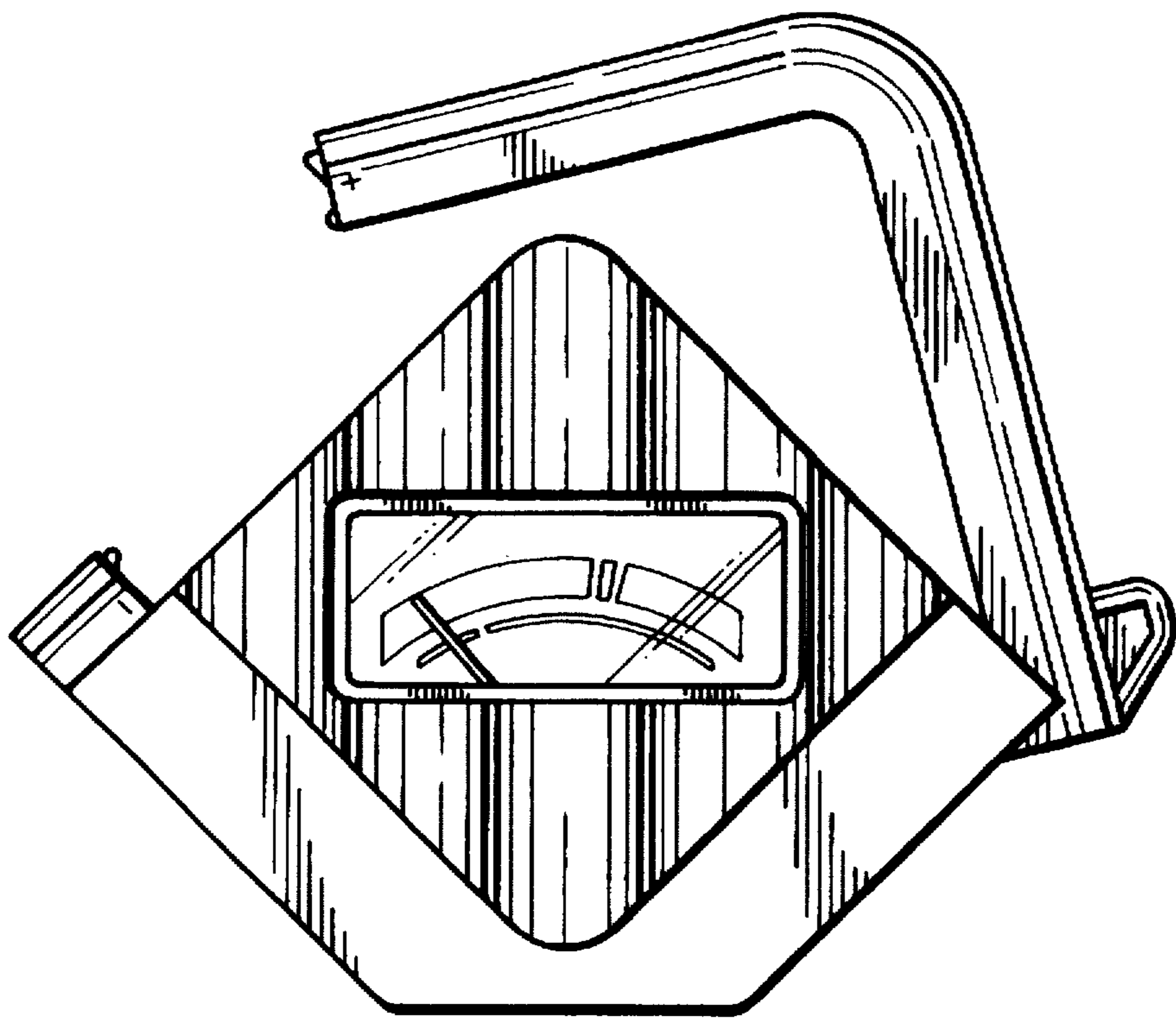


FIG. 8