



US00D393217S

United States Patent [19]
Brickman

[11] **Patent Number:** **Des. 393,217**
[45] **Date of Patent:** ****Apr. 7, 1998**

[54] **DRILLING TEMPLATE FOR CABINETS**

[57] **CLAIM**

[76] **Inventor:** **Barry Brickman**, 4 Park de Ville, San Antonio, Tex. 78248

The ornamental design for a drilling template for cabinets, as shown and described.

[**] **Term:** **14 Years**

DESCRIPTION

[21] **Appl. No.:** **66,619**

FIG. 1 is a front elevational view of the drilling template for cabinets;

[22] **Filed:** **Feb. 13, 1997**

FIG. 2 is a left elevational view of the drilling template for cabinets;

[51] **LOC (6) Cl.** **10-04**

FIG. 3 is a top plan view of the drilling template for cabinets;

[52] **U.S. Cl.** **D10/64**

FIG. 4 is a rear view of the drilling template for cabinets;

[58] **Field of Search** D10/64; 33/562, 33/563, 566, 667, 669, 679.1

FIG. 5 is a right elevational view of the drilling template for cabinets;

[56] **References Cited**

FIG. 6 is a bottom plan view of the drilling template for cabinets; and

U.S. PATENT DOCUMENTS

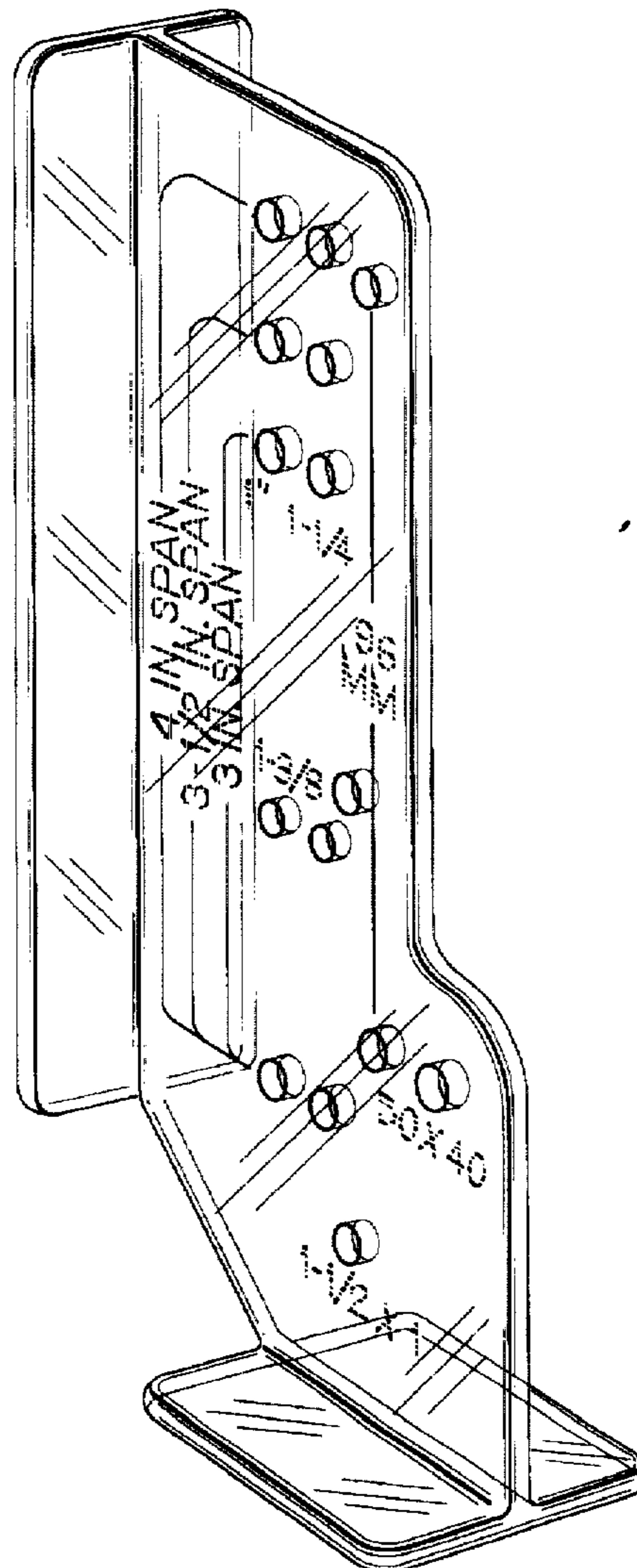
FIG. 7 is a perspective frontal view of the drilling template for cabinets.

D. 348,015 6/1994 Durst et al. D10/64

The broken line showing is for illustrative purposes only and forms no part of the claimed design.

Primary Examiner—Antoine Duval Davis
Attorney, Agent, or Firm—Cox & Smith Incorporated

1 Claim, 3 Drawing Sheets



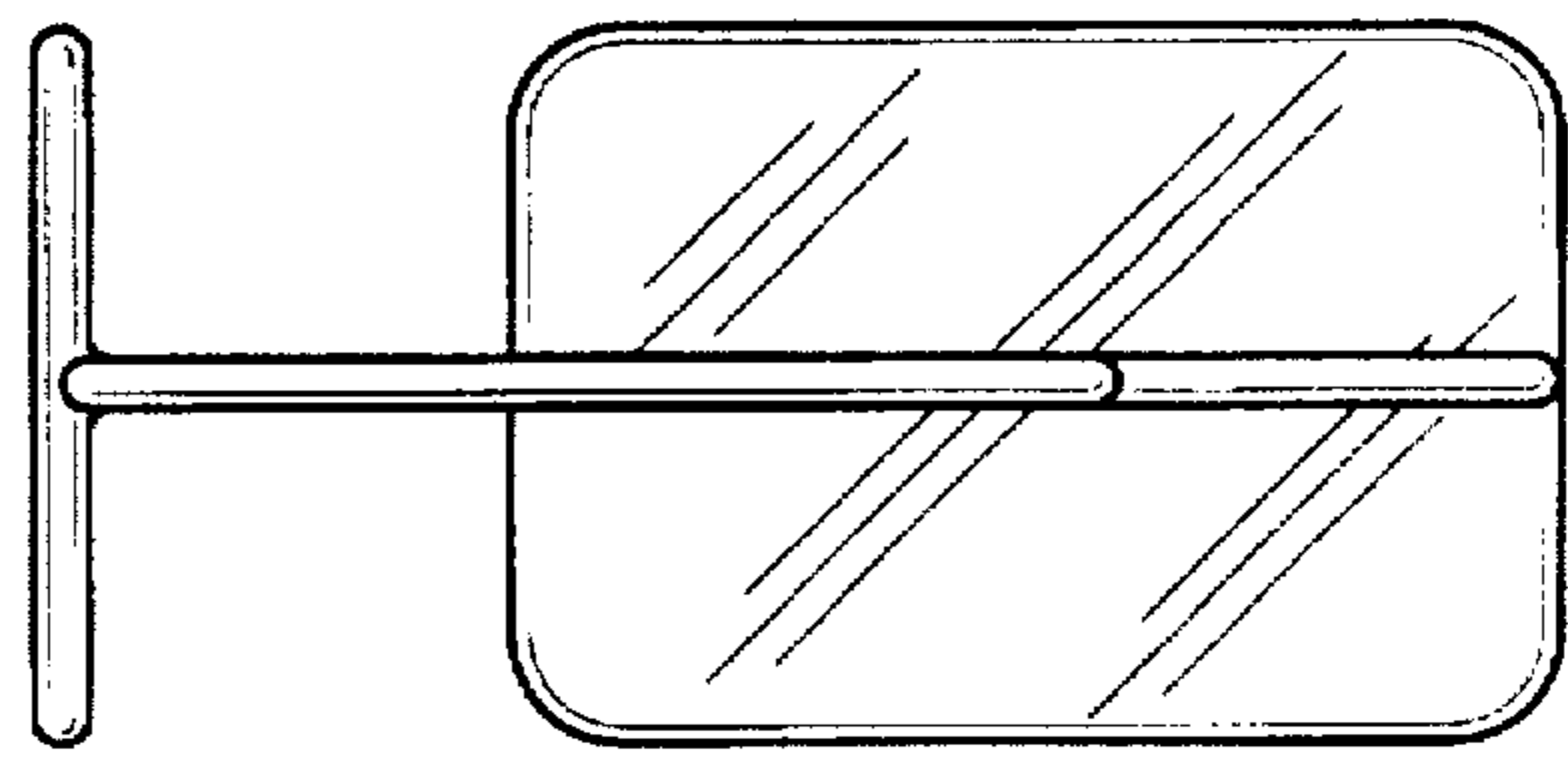


Fig. 3

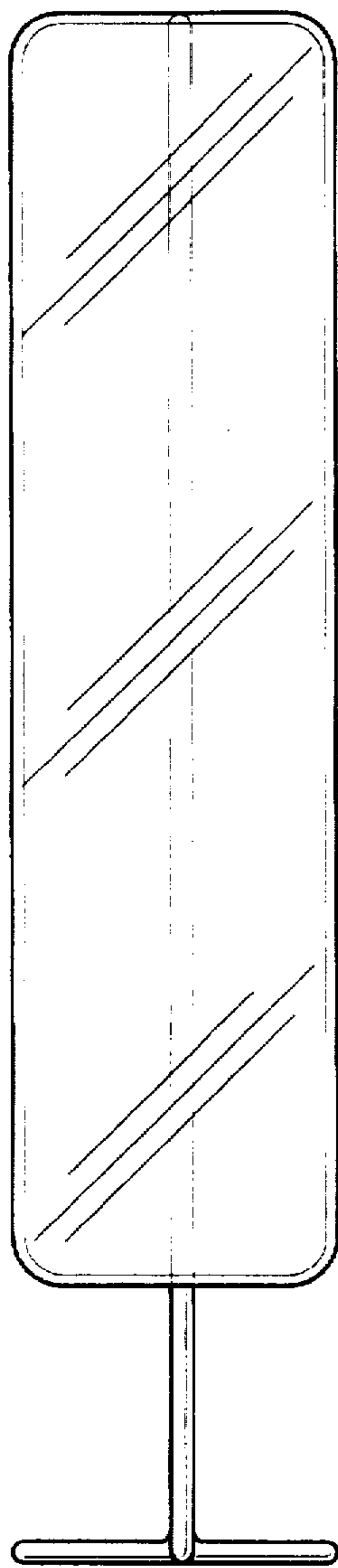


Fig. 2

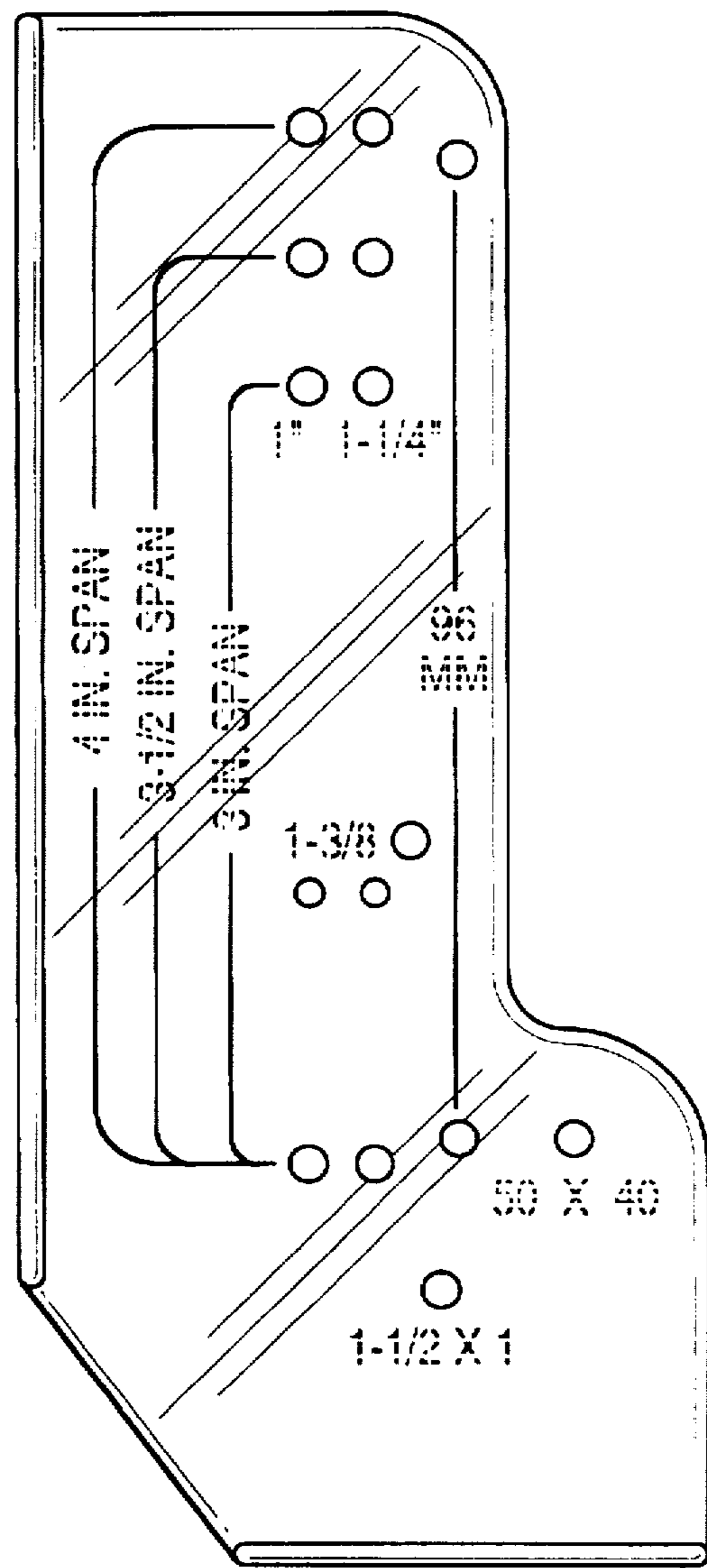


Fig. 1

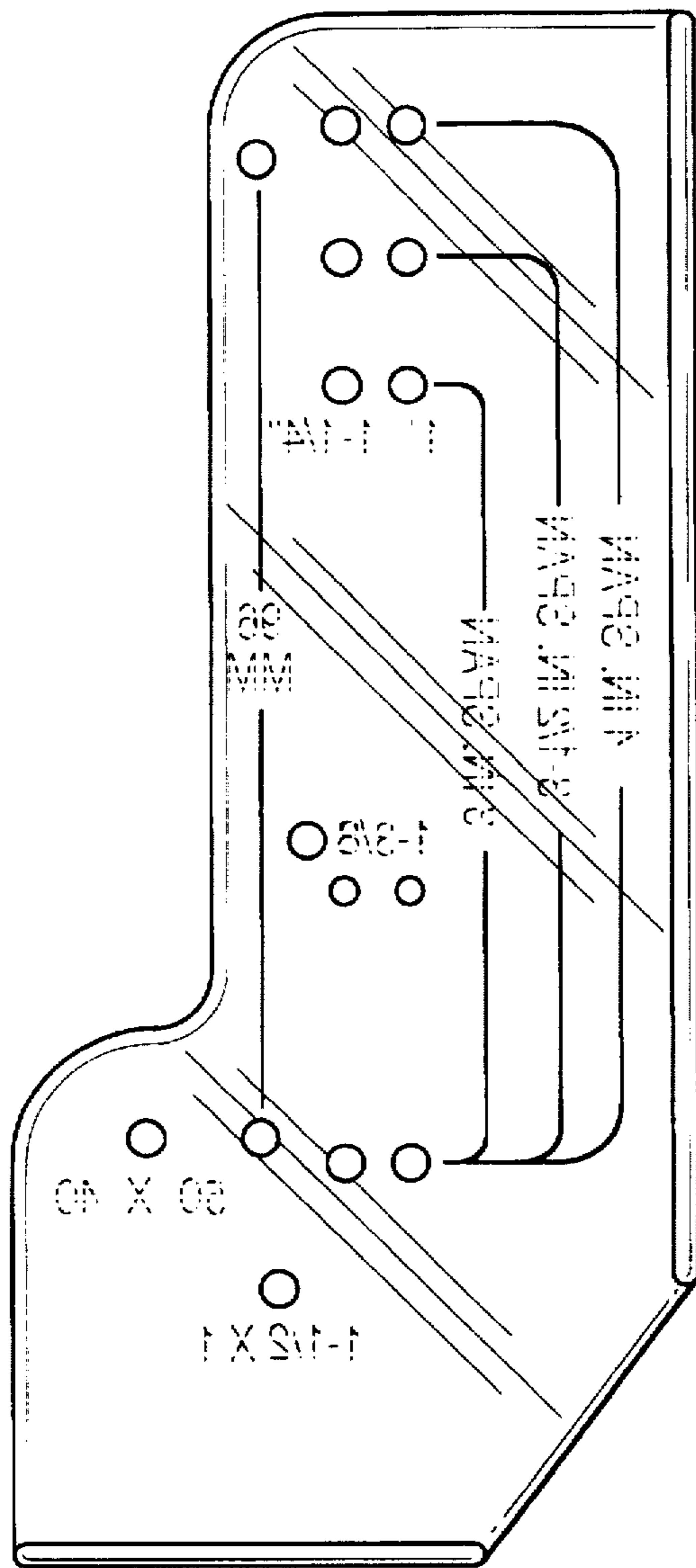


Fig. 4

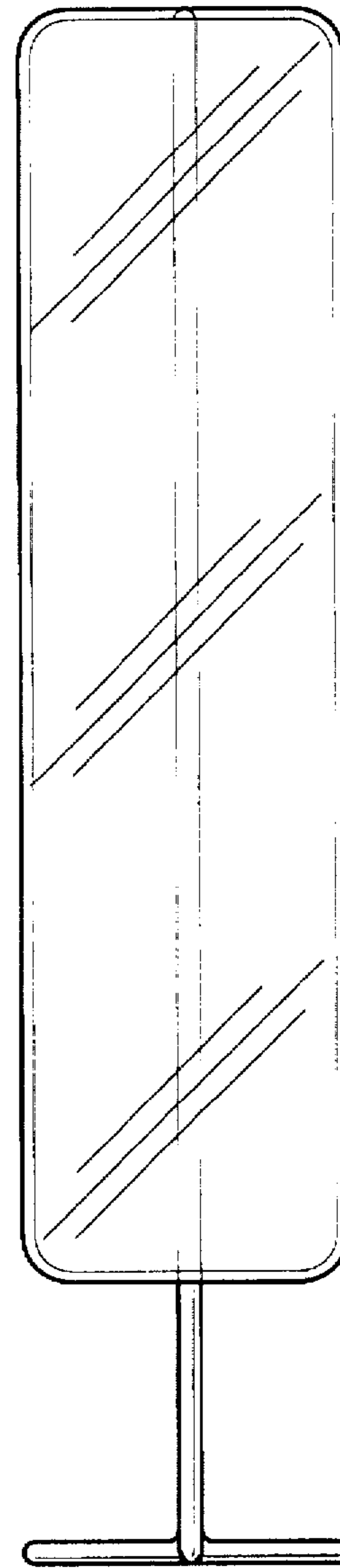


Fig. 5

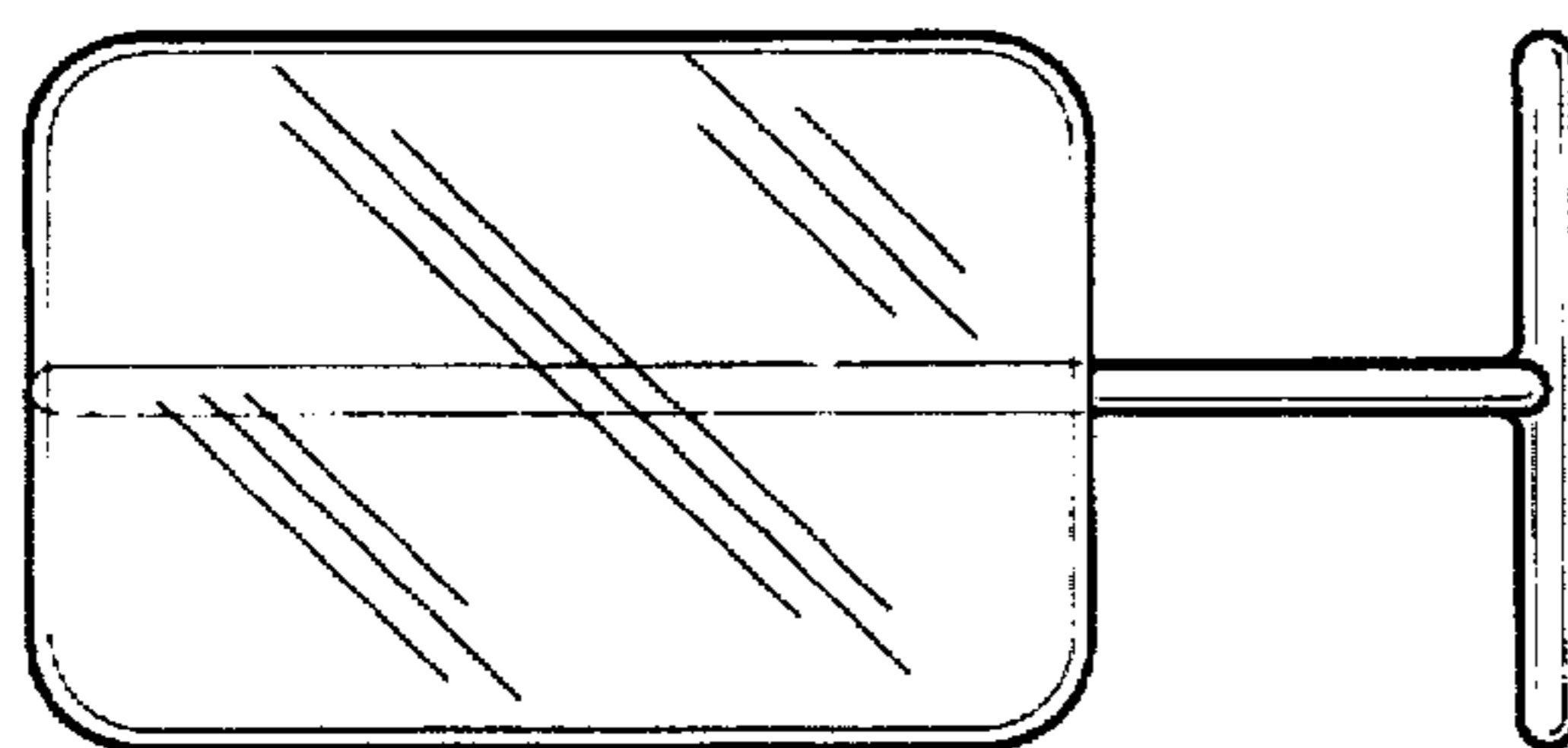


Fig. 6

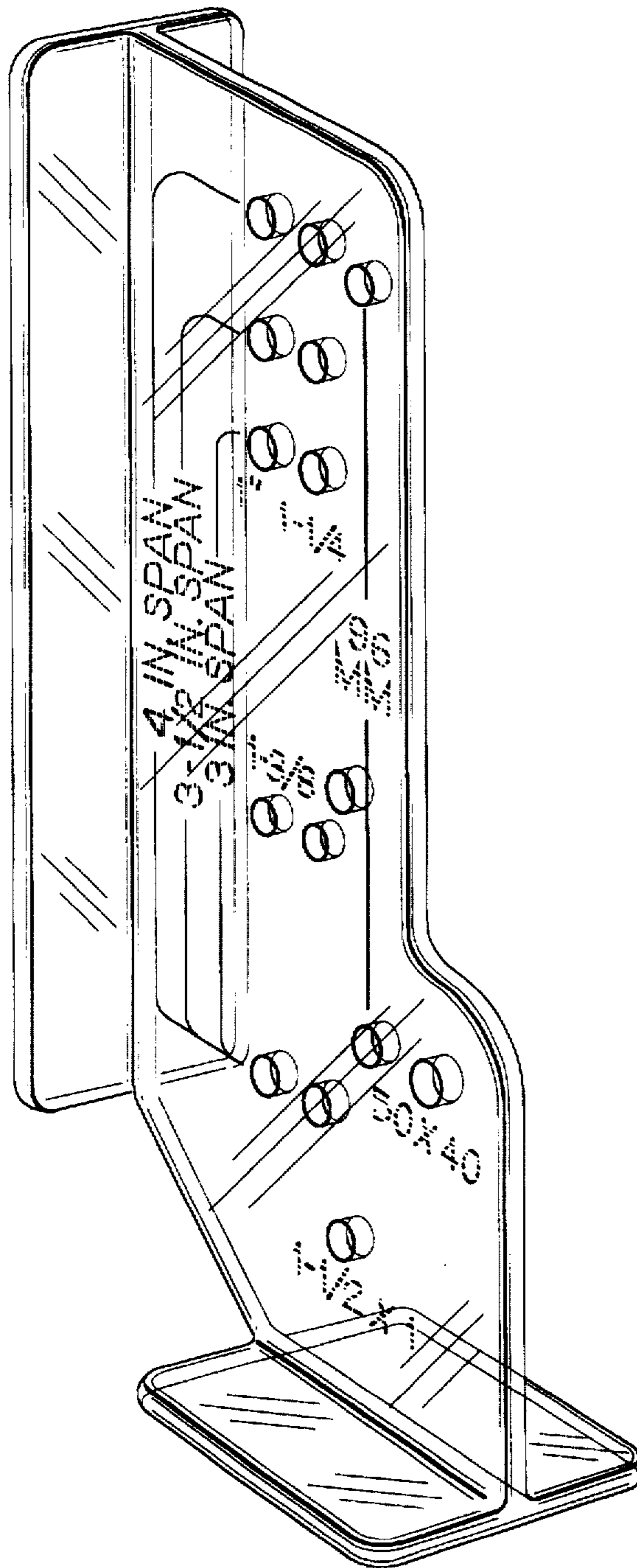


Fig. 7