



US00D393214S

United States Patent [19]
Ingebritson et al.

[11] **Patent Number:** **Des. 393,214**
[45] **Date of Patent:** ****Apr. 7, 1998**

[54] **THERMOSTAT HOUSING**

[75] **Inventors:** **Jolayne K. Ingebritson**, St. Paul;
James A. Odom, Apple Valley;
Timothy J. Smith, Minneapolis, all of
Minn.

[73] **Assignee:** **Honeywell Inc.**, Minneapolis, Minn.

[**] **Term:** **14 Years**

[21] **Appl. No.:** **72,357**

[22] **Filed:** **Jun. 13, 1997**

Related U.S. Application Data

[63] **Continuation-in-part of Ser. No. 65,343, Jan. 24, 1997.**

[51] **LOC (6) Cl.** **10-04**

[52] **U.S. Cl.** **D10/50**

[58] **Field of Search** **D10/49, 50; 165/11.1,**
165/13, 22, 32-41; 236/113, 46 R, 47,
49.3, 89.94; 337/360, 380; 364/557

[56] **References Cited**

U.S. PATENT DOCUMENTS

- D. 256,336 8/1980 Odom et al. .
- D. 271,086 10/1983 Odom .
- D. 293,421 12/1987 Bonnema et al. .
- D. 297,419 8/1988 Bonnema et al. .
- D. 310,788 9/1990 Wolfe .
- D. 326,234 5/1992 Tinz D10/50
- D. 360,145 7/1995 Odom et al. .
- D. 360,147 7/1995 Odom et al. .
- D. 363,032 10/1995 Odom et al. .
- D. 364,350 11/1995 Pasquarette et al. .
- D. 366,429 1/1996 Dexter et al. .

Primary Examiner—Antoine Duval Davis
Attorney, Agent, or Firm—Charles L. Rubow

[57] **CLAIM**

The ornamental design for a thermostat housing, as shown and described.

DESCRIPTION

FIG. 1 is a perspective view as seen from the front, top and right end of a first embodiment of a thermostat housing in accordance with the applicants' design with a switch cover thereon in a closed position;

FIG. 2 is a perspective view as seen from the front, top and right end of a second embodiment of a thermostat housing in accordance with the applicants' design with the switch cover thereon in a closed position;

FIG. 3 is a perspective view as seen from the front, top and right end of a third embodiment of a thermostat housing in accordance with the applicants' design with the switch cover in a closed position;

FIG. 4 is a front elevation view of the thermostat housing embodiment of FIG. 1 with the cover in a closed position;

FIG. 5 is a front elevation view of the thermostat housing embodiment of FIG. 2 with the cover in a closed position;

FIG. 6 is a front elevation view of the thermostat housing embodiment of FIG. 3 with the cover in a closed position;

FIG. 7 is a top plan view of the thermostat housing embodiment of FIG. 1;

FIG. 8 is a bottom plan view of the thermostat housing embodiment of FIG. 1;

FIG. 9 is a top plan view of the thermostat housing embodiment of FIG. 2;

FIG. 10 is a bottom plan view of the thermostat housing embodiments of FIGS. 2 and 3;

FIG. 11 is a top plan view of the thermostat housing embodiment of FIG. 3;

FIG. 12 is a right end elevation view of the thermostat housing embodiments of FIGS. 1 and 2 with the cover in an open position;

FIG. 13 is a right end elevation view of the thermostat housing embodiments of FIGS. 1 and 2 with the cover in a closed position;

FIG. 14 is a right end elevation view of the thermostat housing embodiment of FIG. 3 with the cover in a closed position;

FIG. 15 is a right end elevation view of the thermostat housing embodiment of FIG. 3 with the cover in an open position;

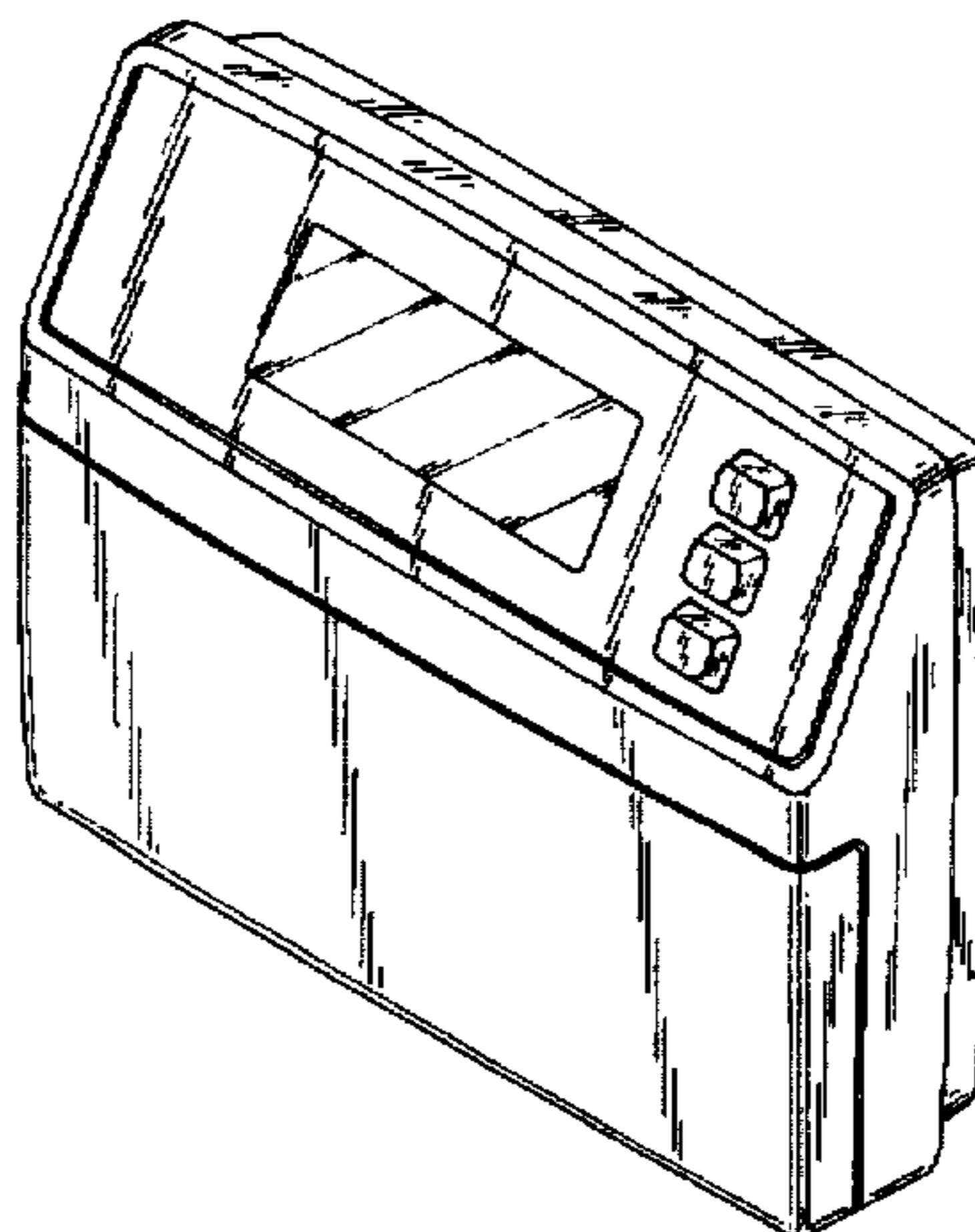


FIG. 16 is a front elevation view of the thermostat housing embodiment of FIG. 1 with the cover in an open position, and illustrating a first optional switch arrangement under the cover;

FIG. 17 is a front elevation view of the thermostat housing embodiment of FIG. 1 with the cover in an open position, and illustrating a second optional switch arrangement under the cover;

FIG. 18 is a front elevation view of the thermostat housing embodiment of FIG. 2 with the cover in an open position, and illustrating a first optional switch arrangement under the cover;

FIG. 19 is a front elevation view of the thermostat housing embodiment of FIG. 2 with the cover in an open position, and illustrating a second optional switch arrangement in the area under the cover; and,

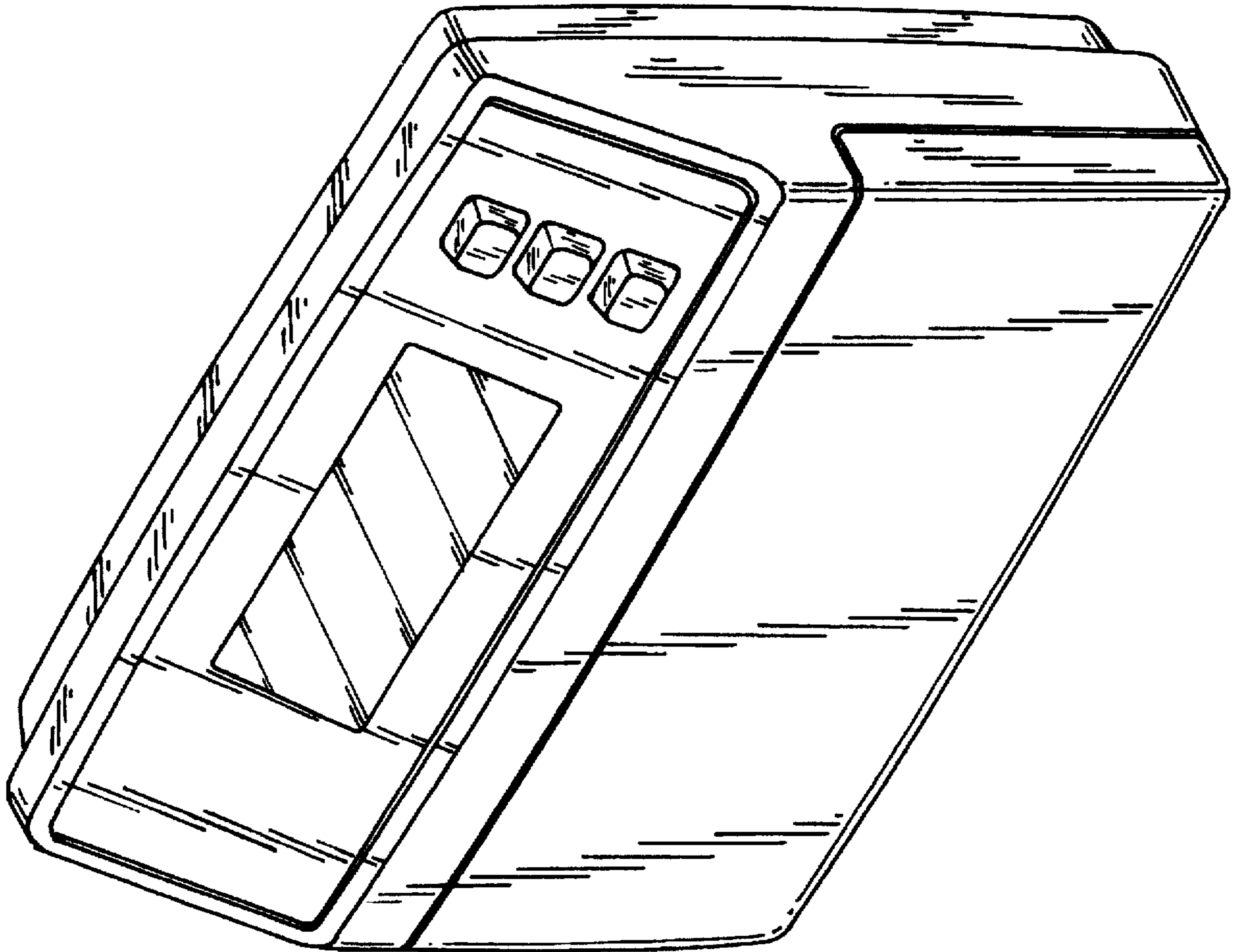
FIG. 20 is a front elevation view of the thermostat housing embodiment of FIG. 3 with the cover in an open position and illustrating the switch arrangement in the area under the cover.

The left end elevation views of the thermostat housing embodiments with the covers in closed and open positions are mirror images of the respective right end elevation views thereof. The rear views of the thermostat housing embodiments do not comprise any portion of the invention, and hence are not shown in the drawings.

The broken line showing is for illustrative purposes only and forms no part of the claimed design.

1 Claim, 15 Drawing Sheets

Fig 1



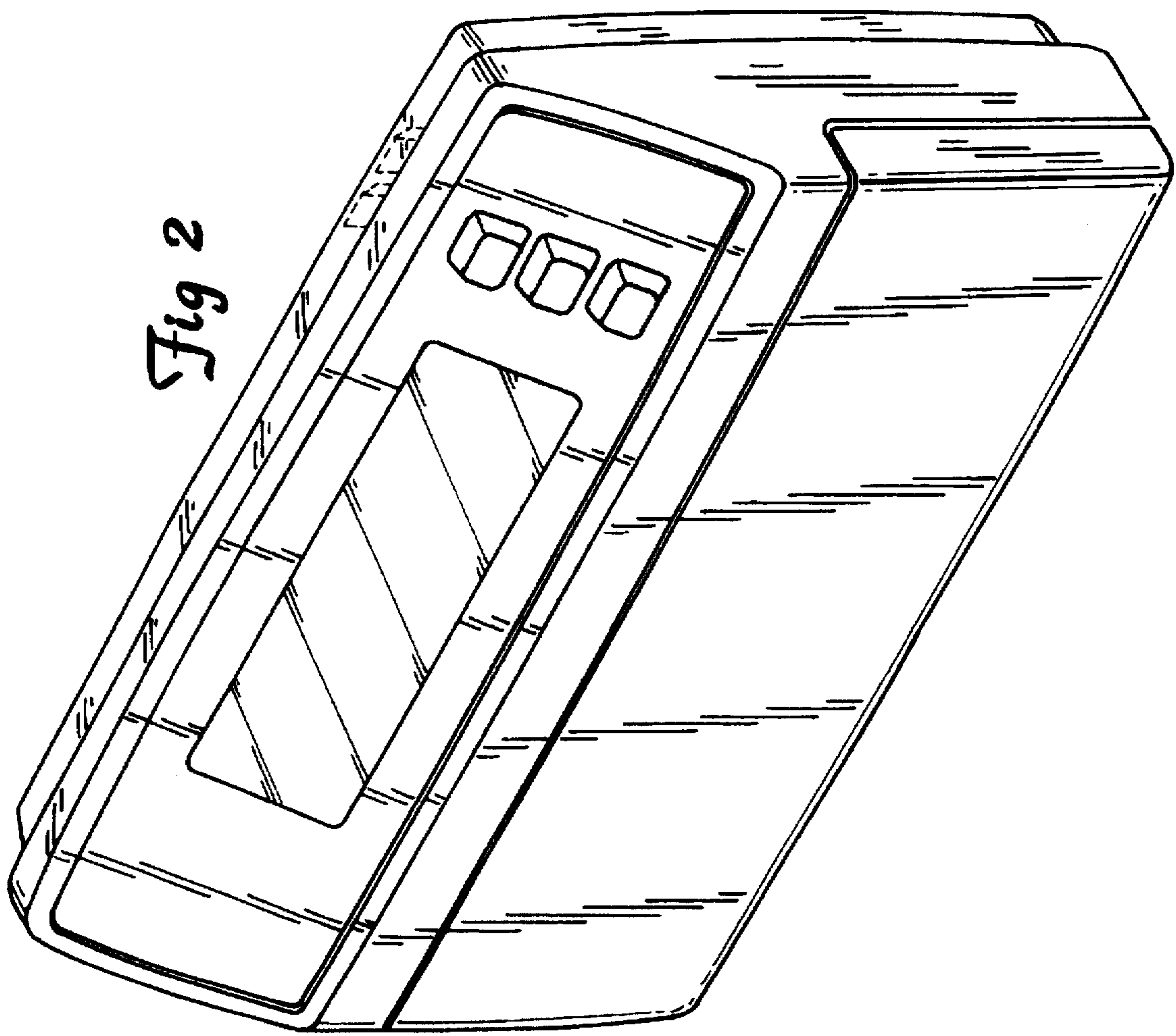


Fig 2

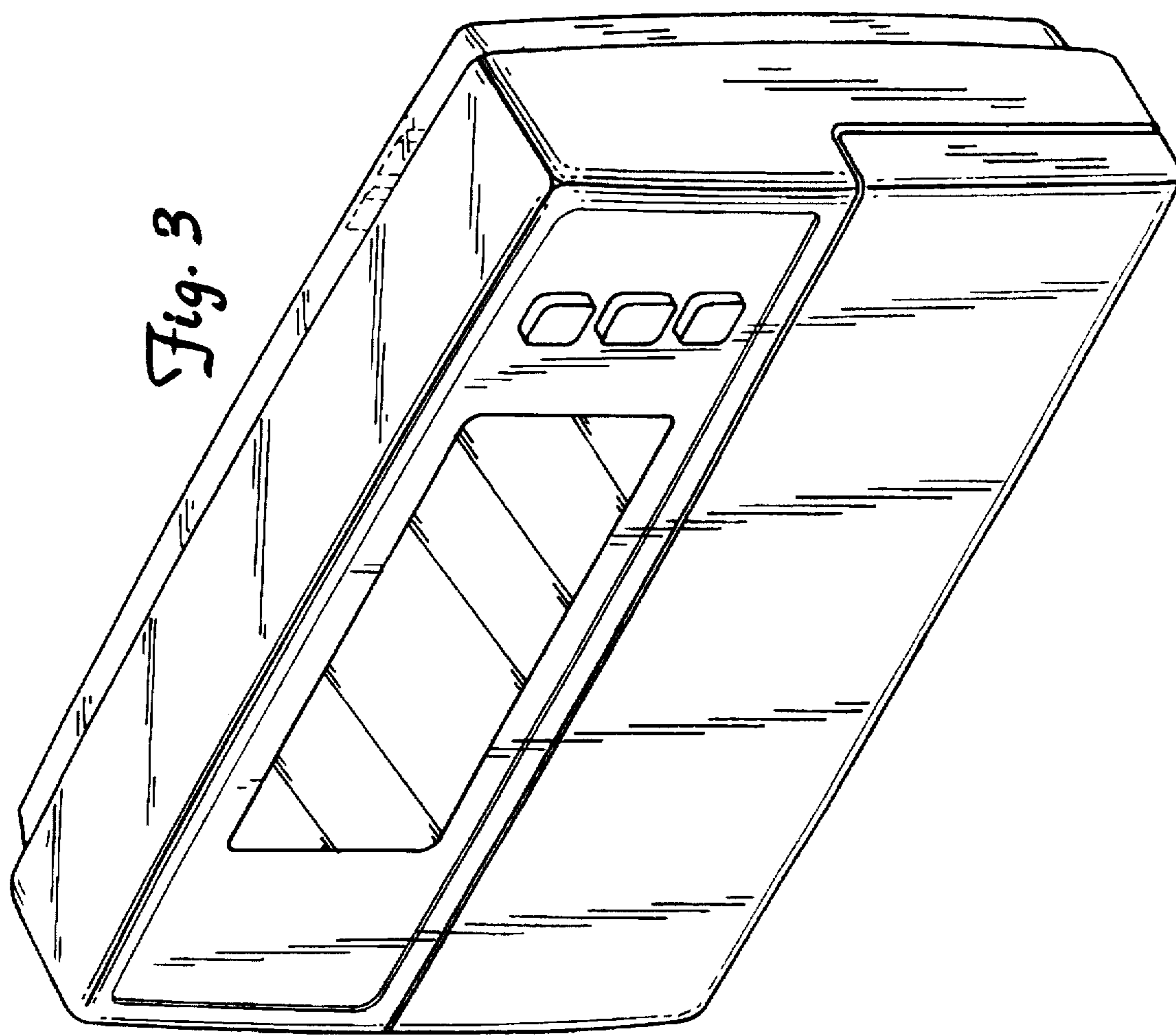


Fig. 3

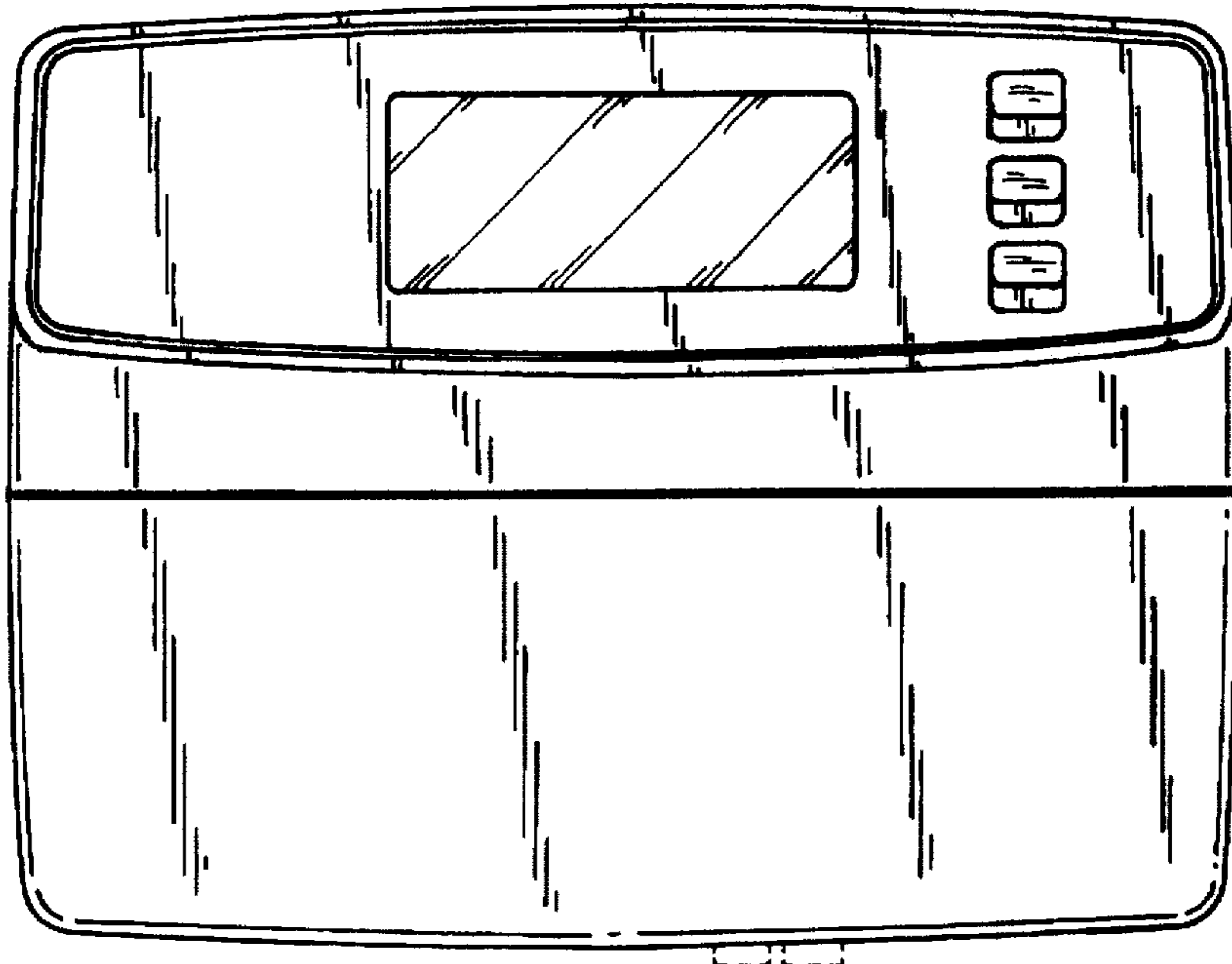


Fig. 4

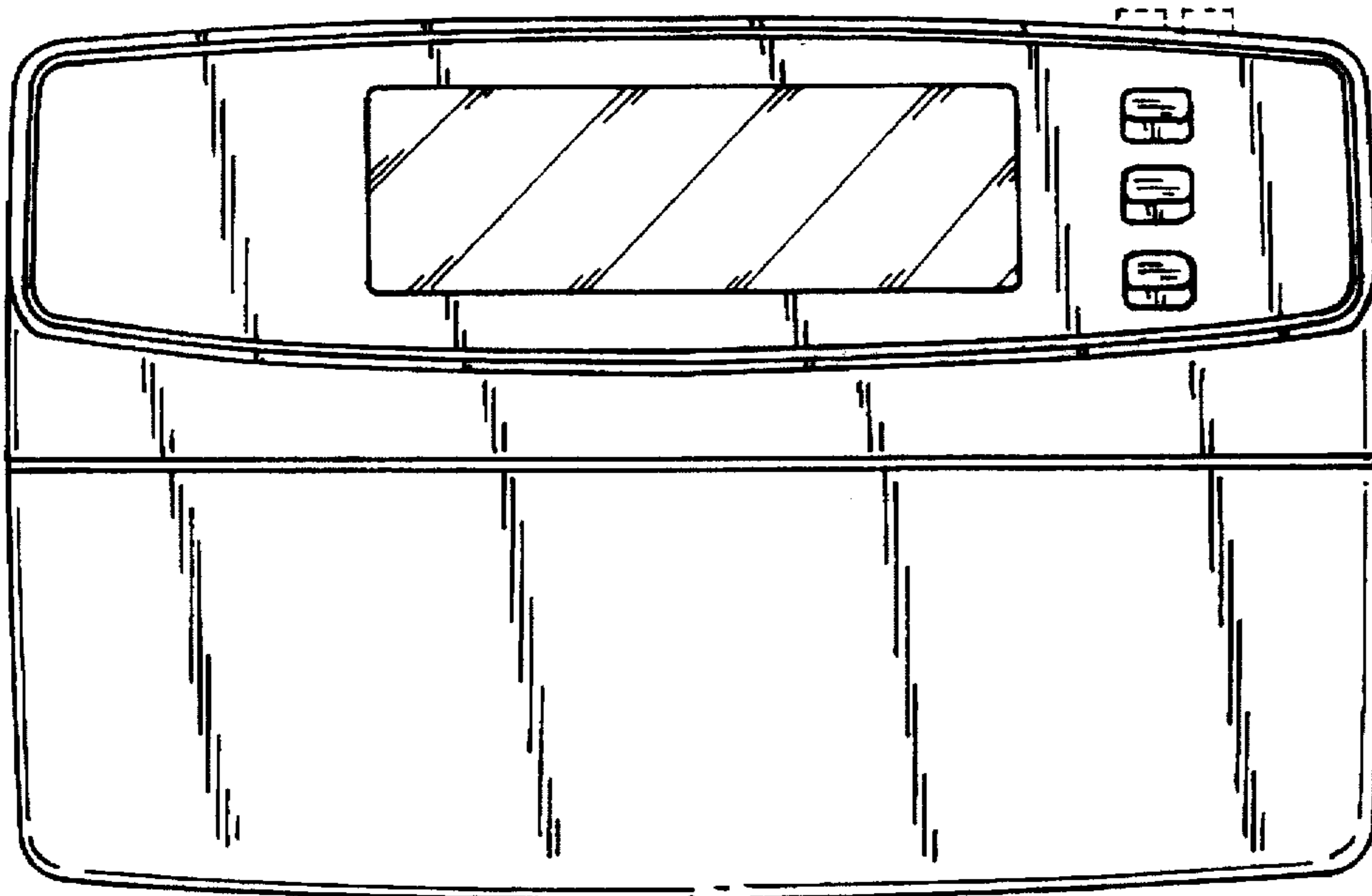


Fig. 5

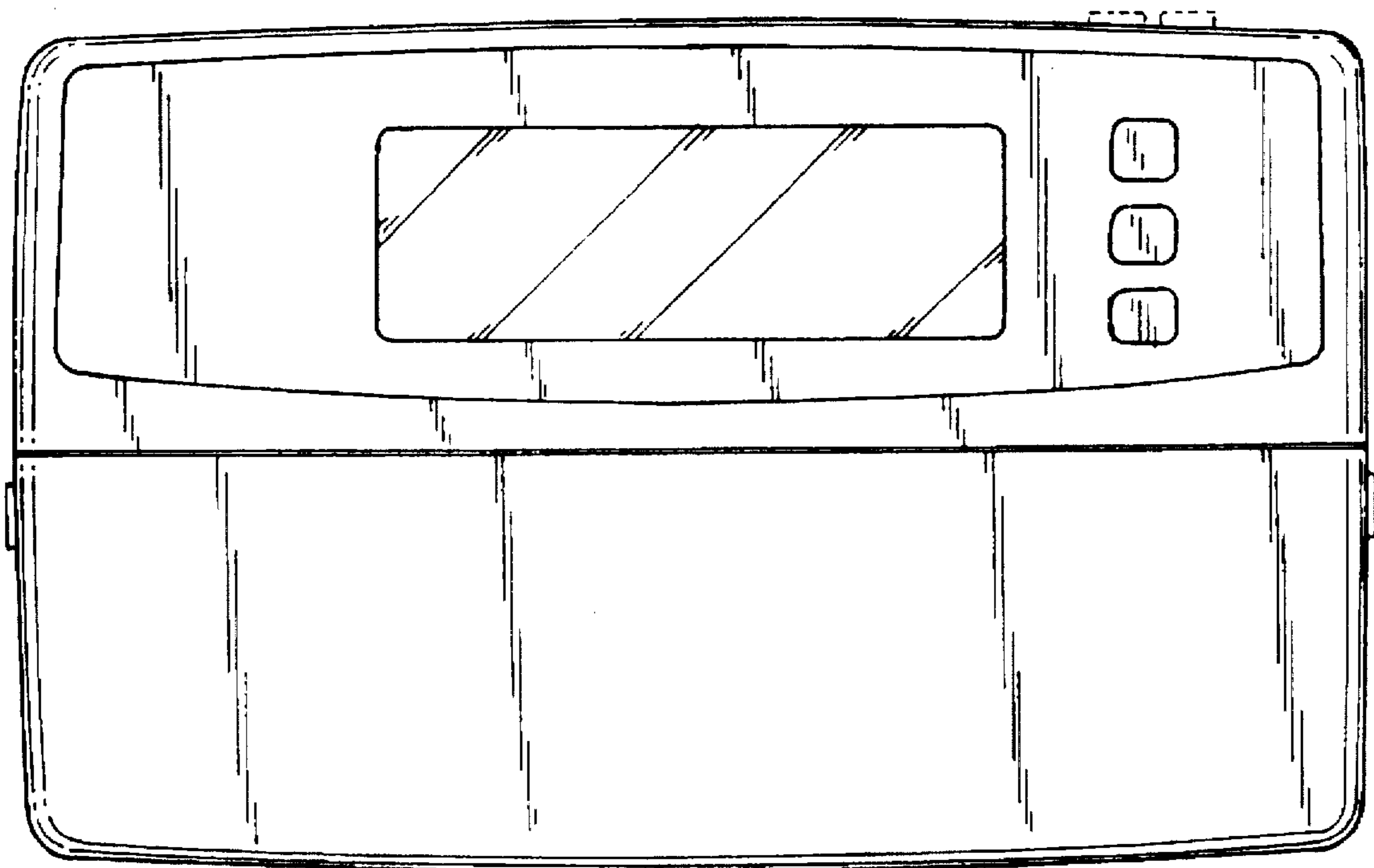


Fig. 6

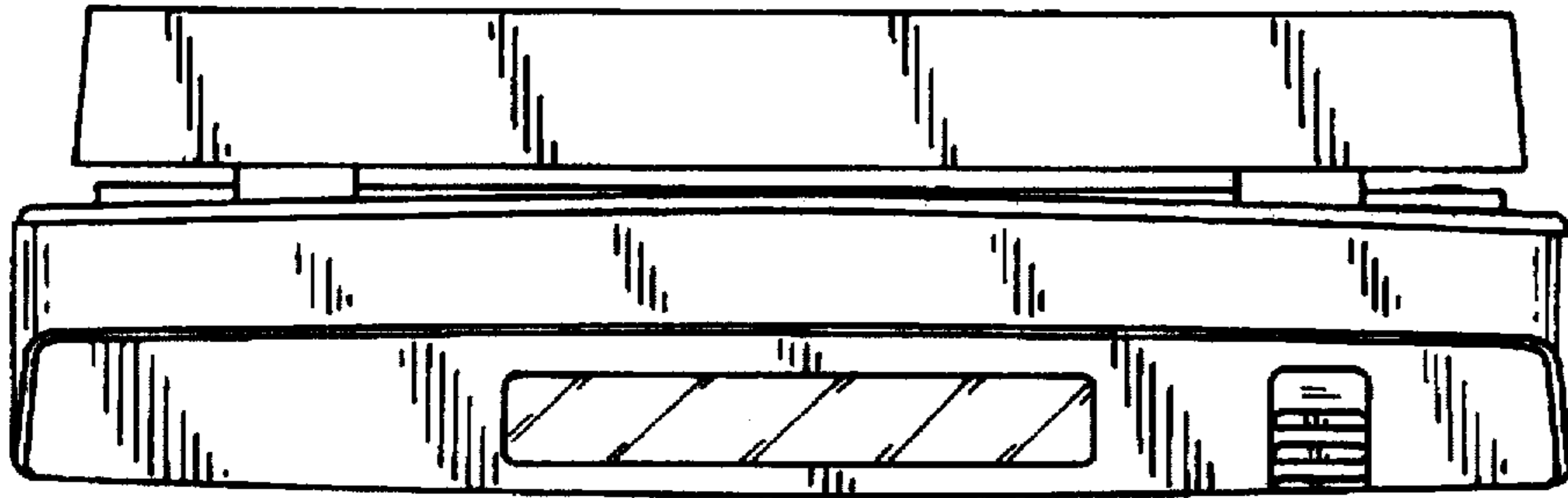


Fig. 7

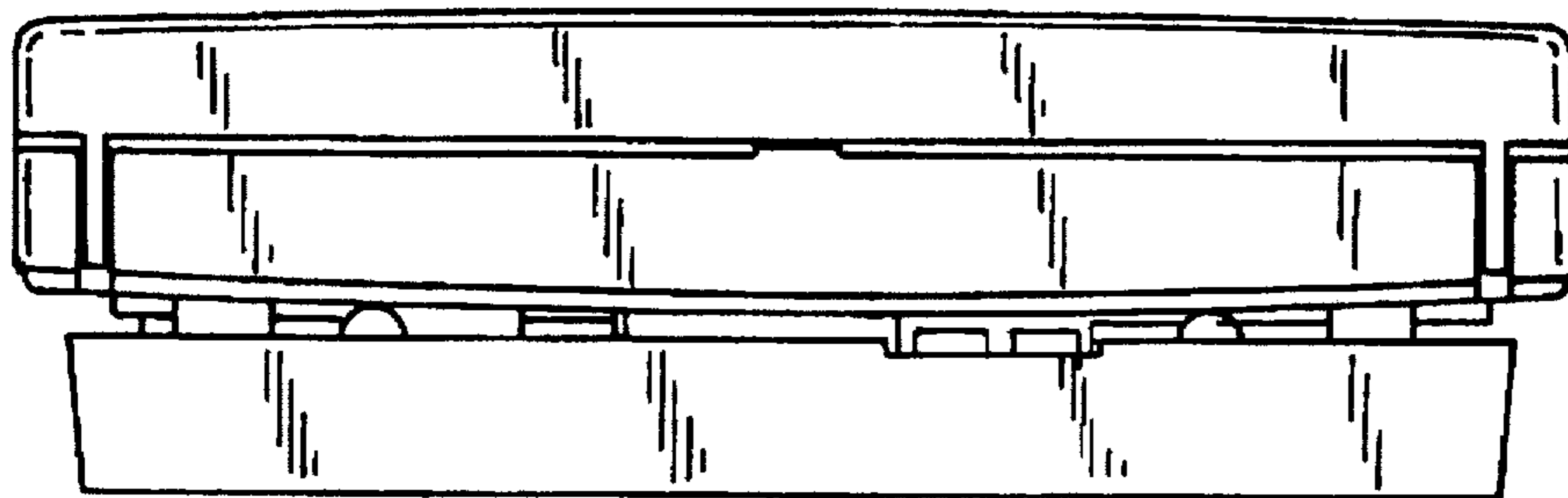


Fig. 8

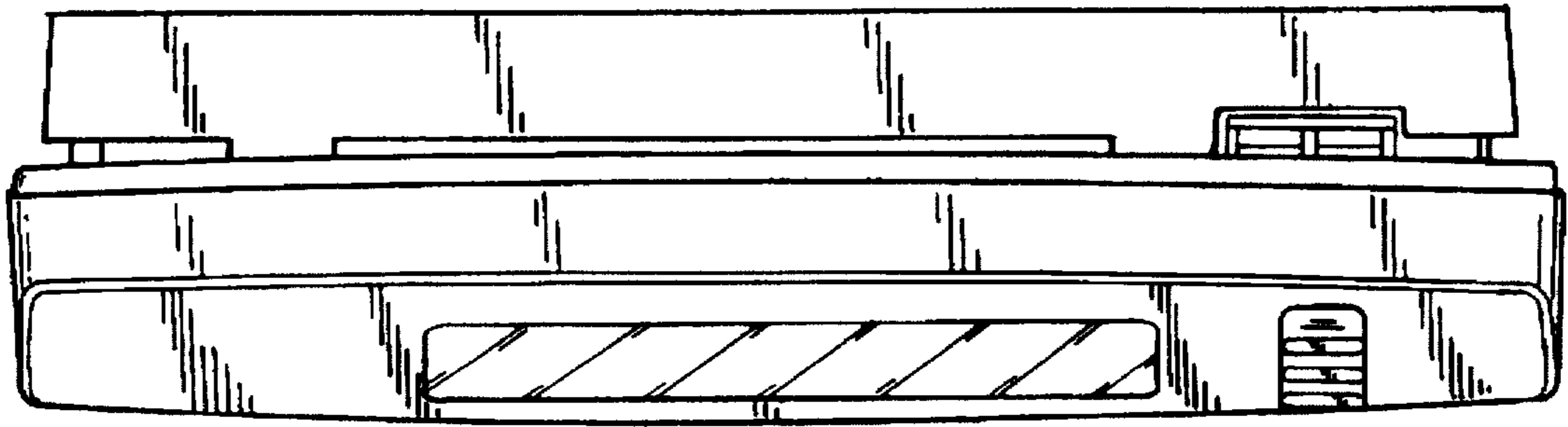


Fig. 9

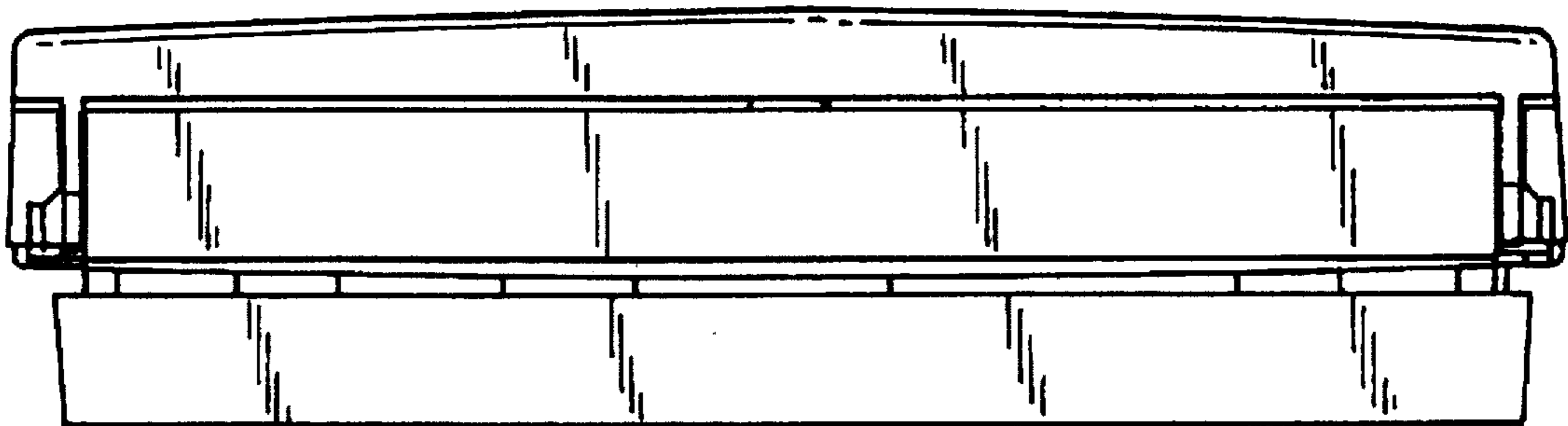


Fig. 10

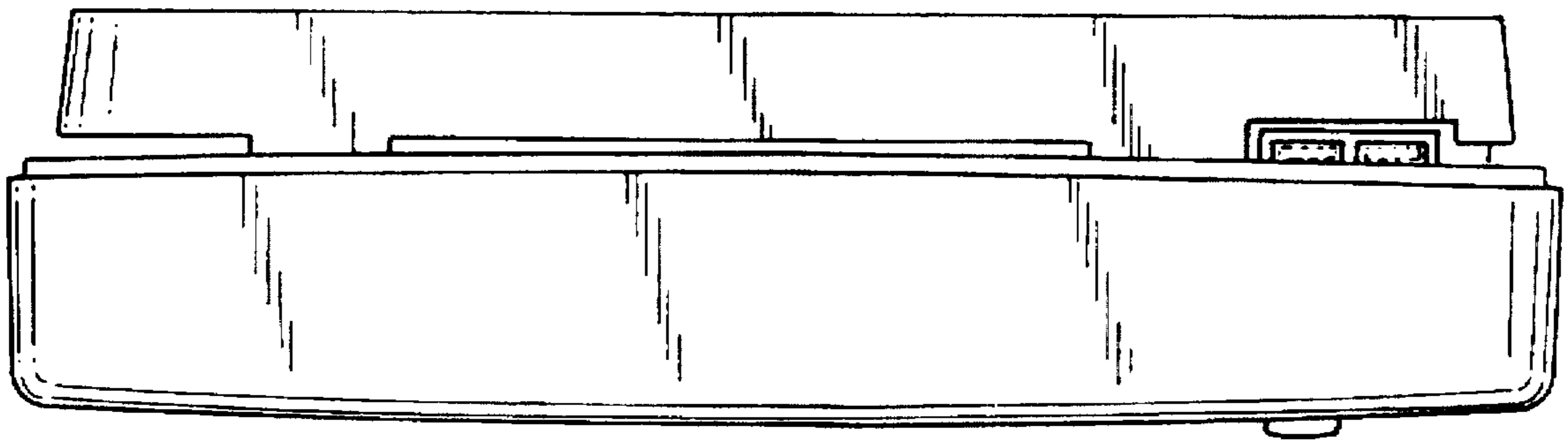


Fig. 11

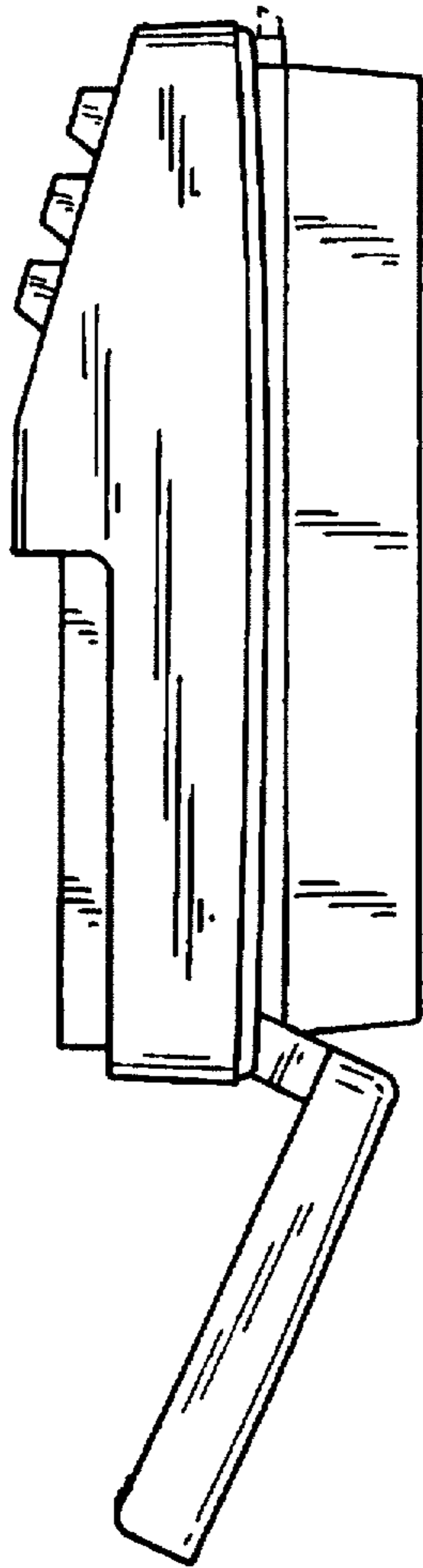


Fig. 12



Fig. 13

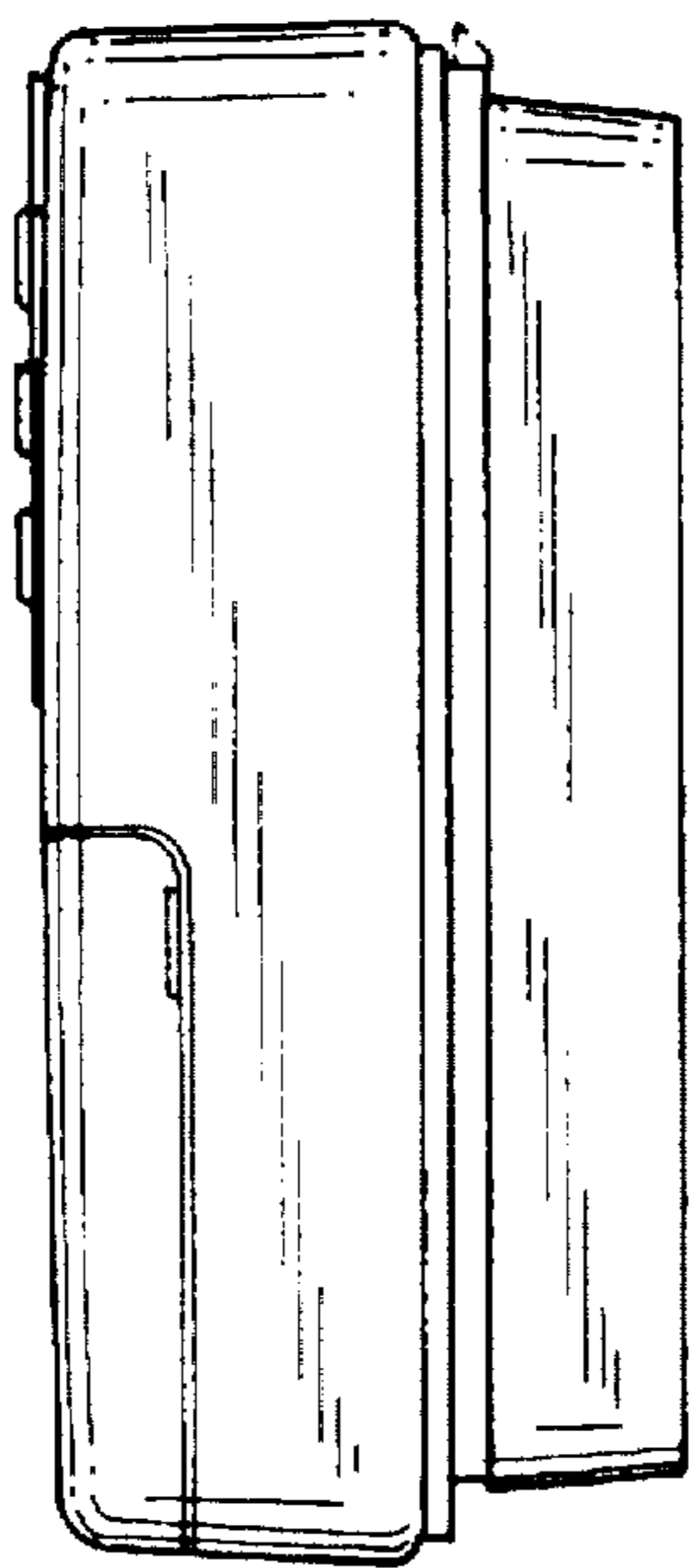


Fig. 14

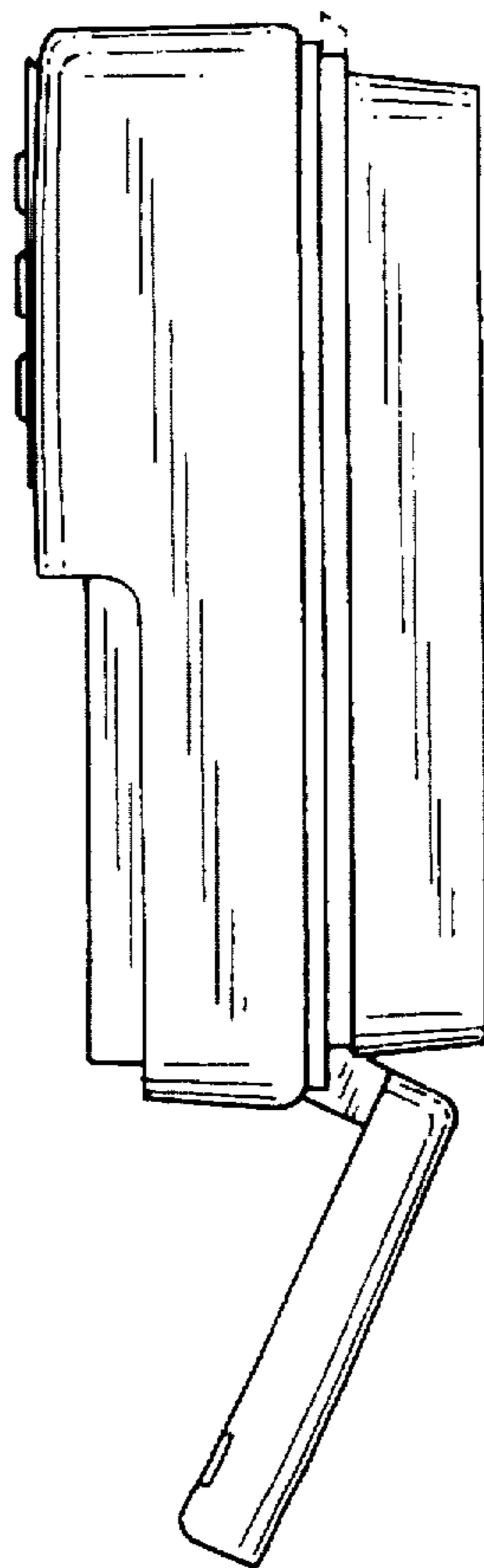


Fig. 15

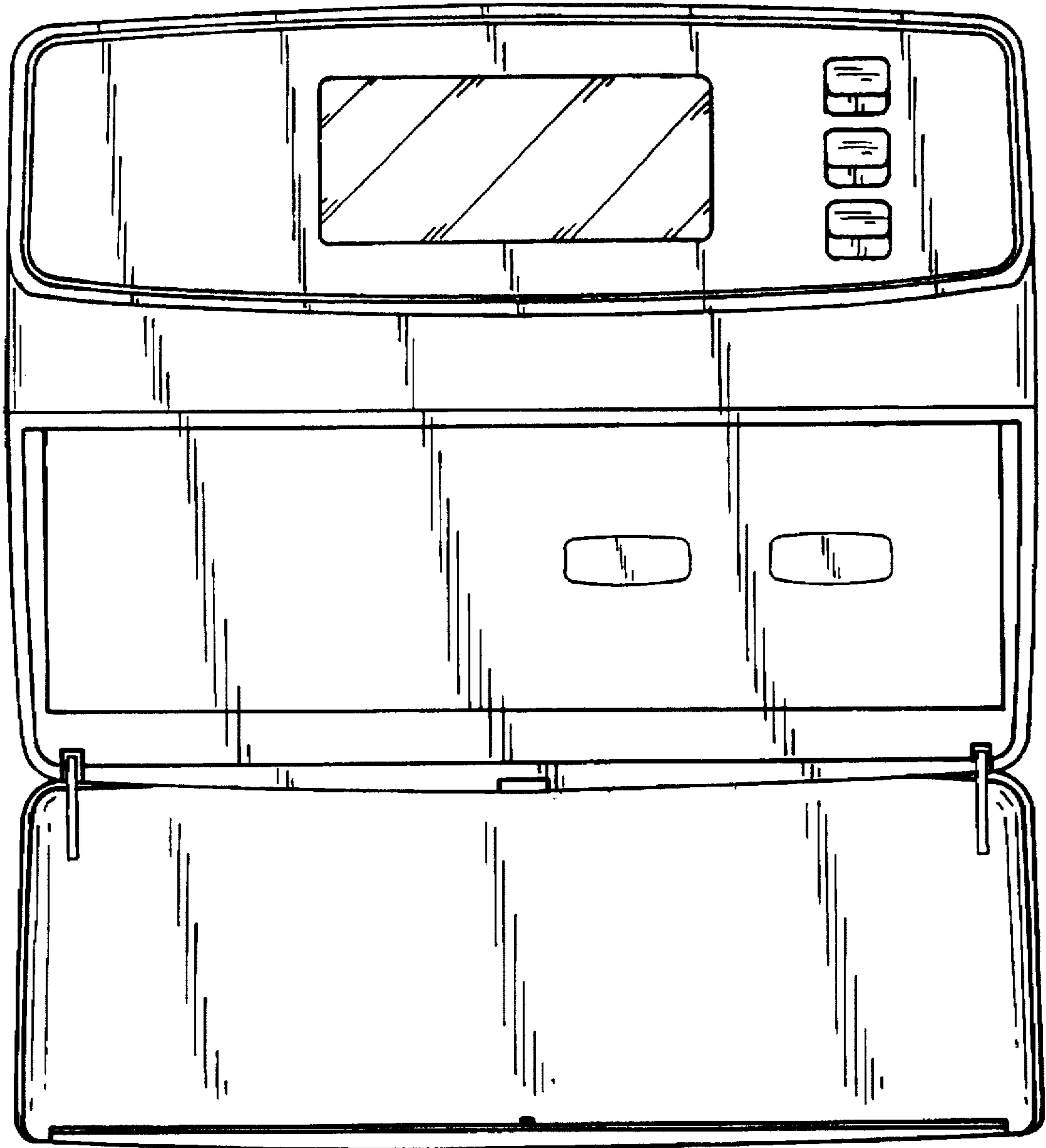


Fig. 16

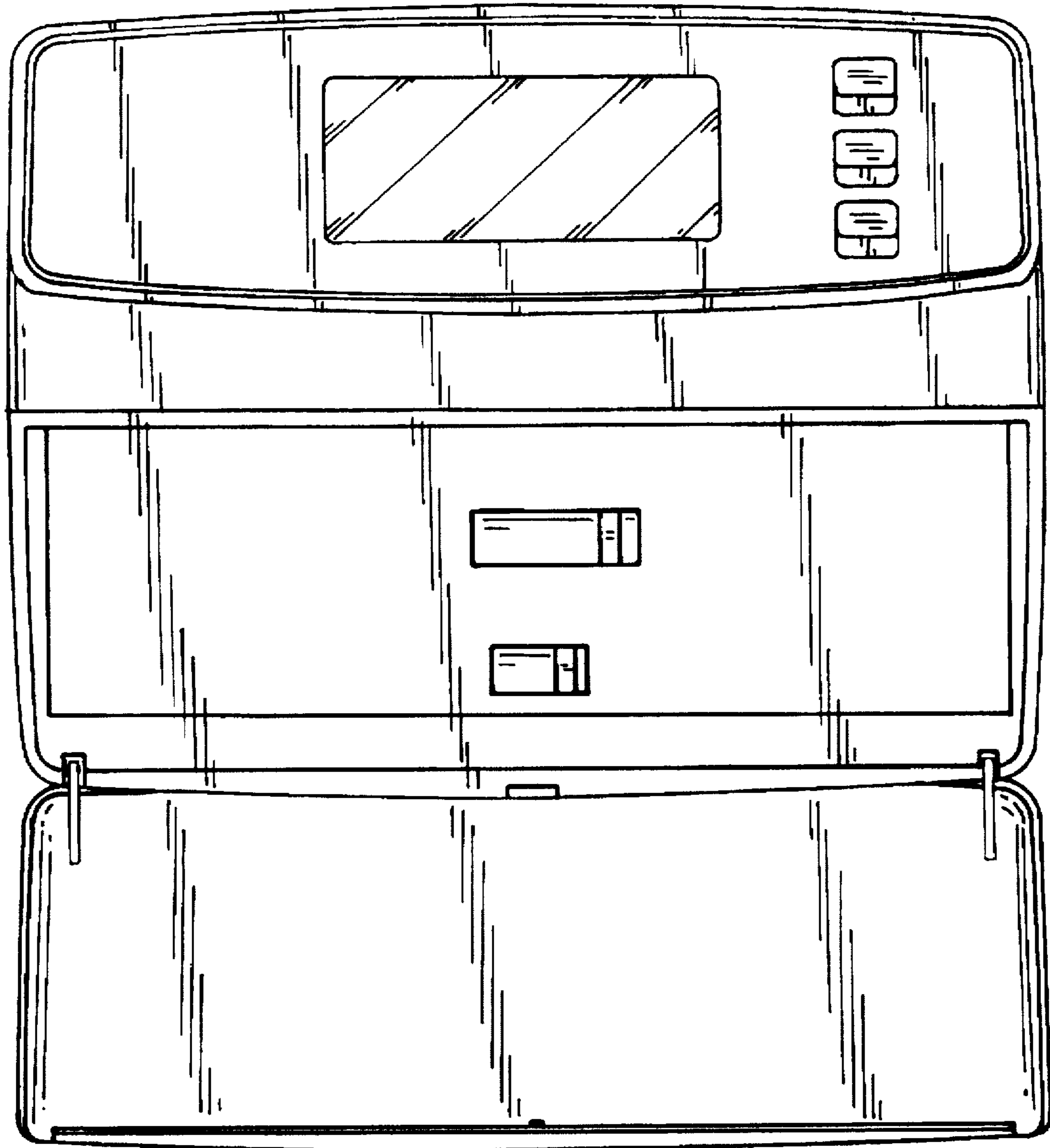


Fig. 17

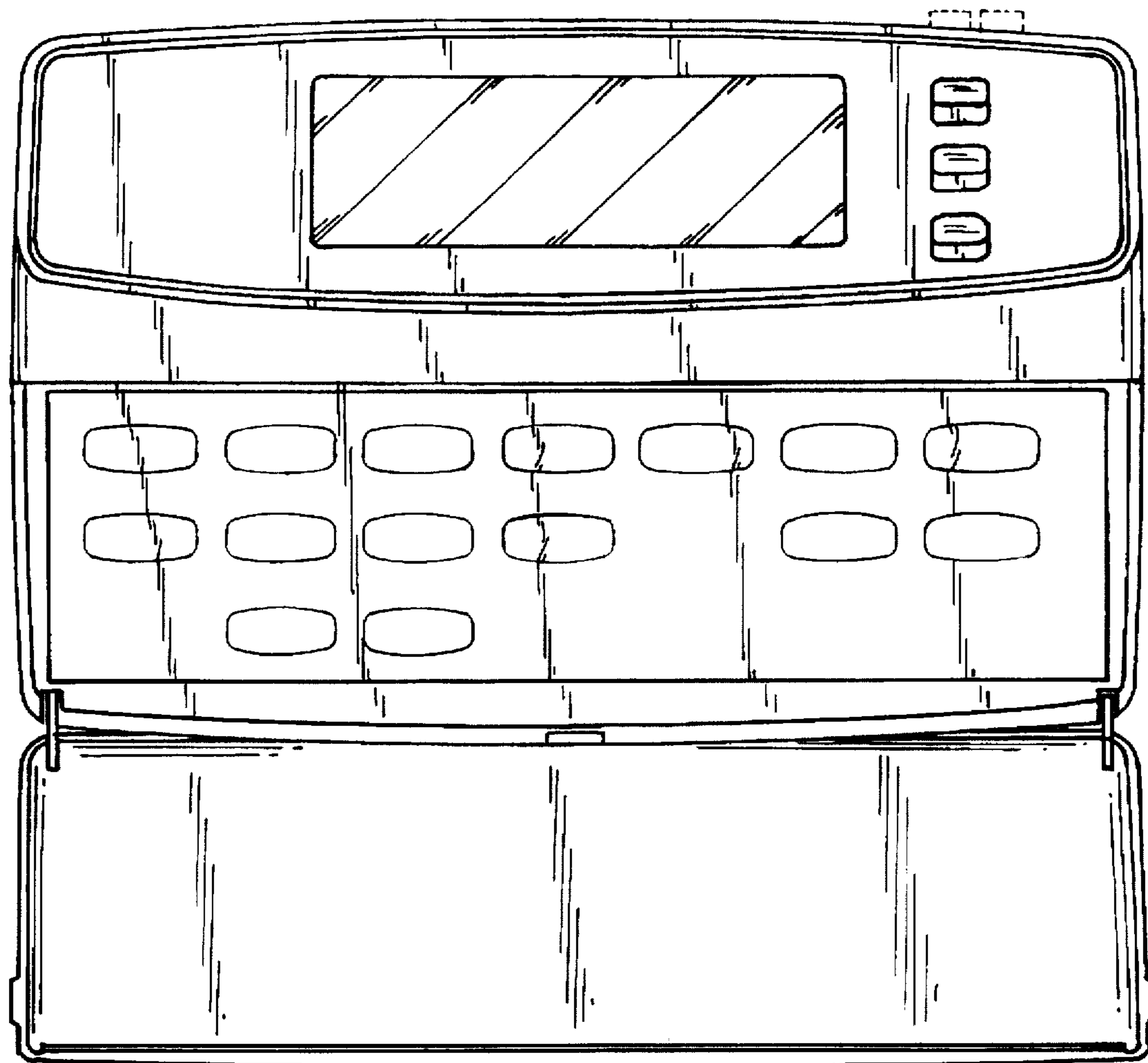


Fig. 18

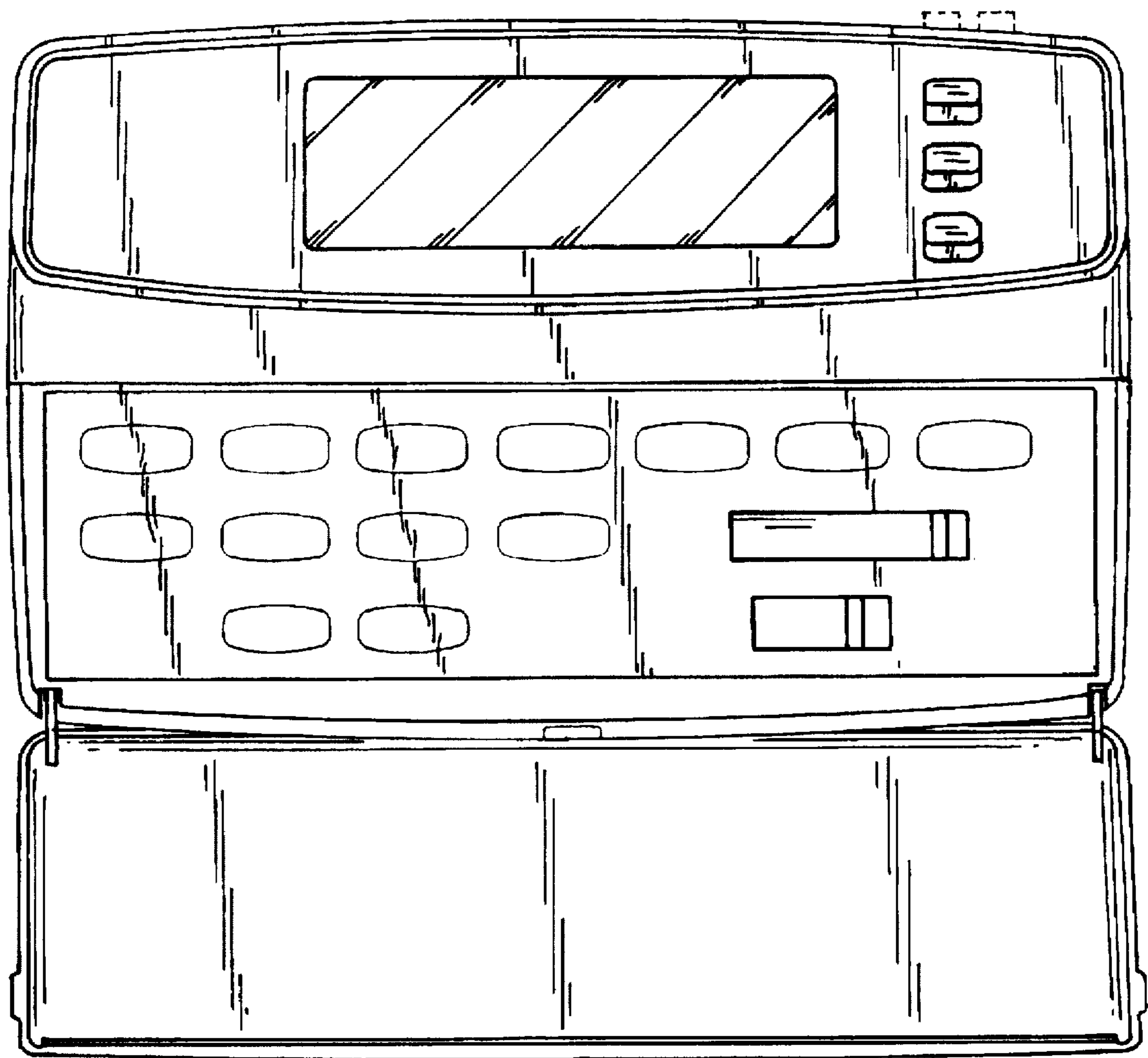


Fig. 19

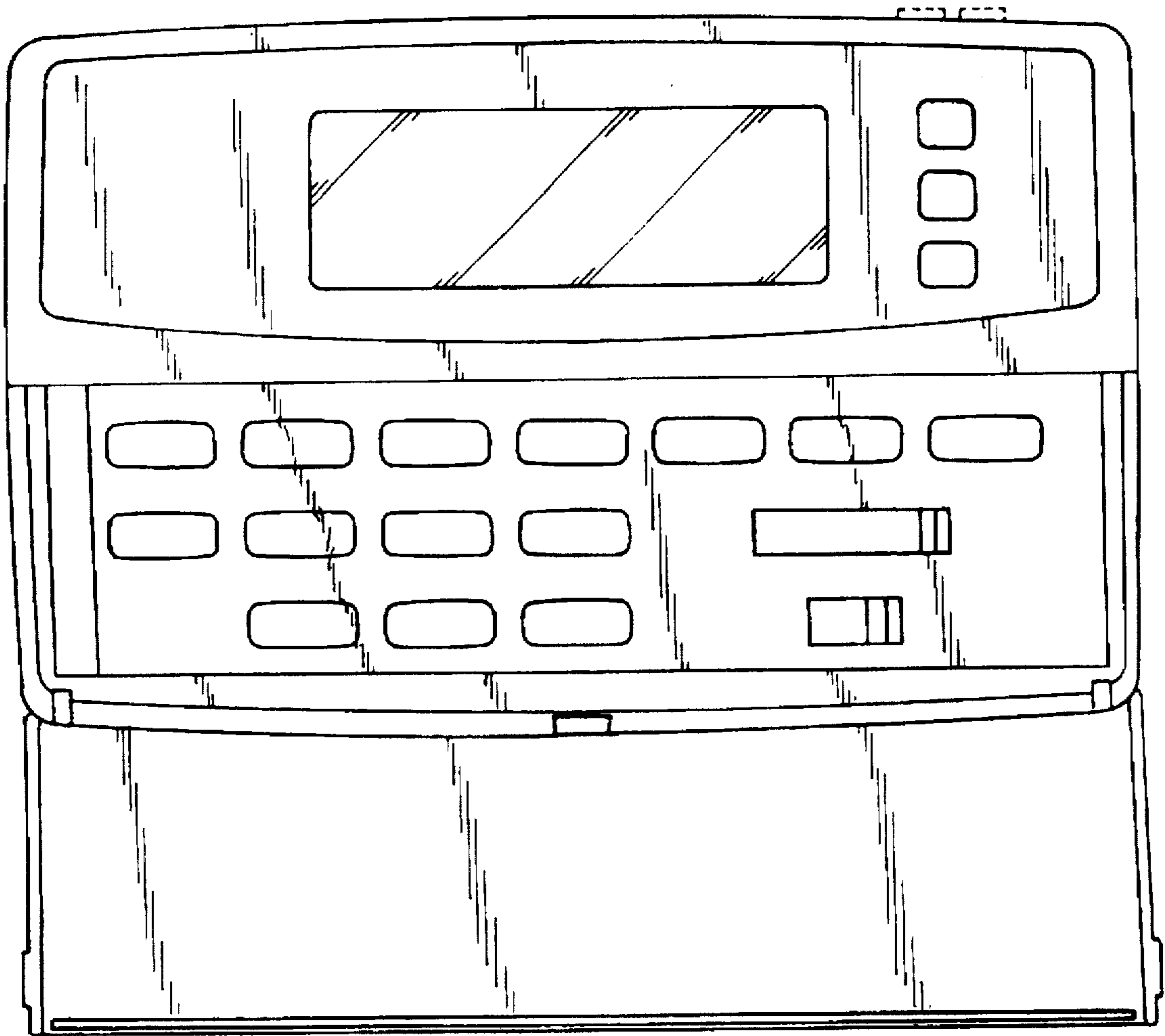


Fig. 20