



US00D393212S

United States Patent [19]

[11] Patent Number: Des. 393,212

Lucas

[45] Date of Patent: **Apr. 7, 1998

[54] PARKING METER

[57] CLAIM

[76] Inventor: Tom Lucas, 421 East 29th Street,
Vancouver, British Columbia, Canada,
V7N 1E2

The ornamental design for a parking meter, as shown and described.

[**] Term: 14 Years

DESCRIPTION

[21] Appl. No.: 60,000

FIG. 1 is a top and left front perspective view thereof;

[22] Filed: Sep. 19, 1996

FIG. 2 is a top plan view thereof;

[51] LOC (6) Cl. 10-03

FIG. 3 is a front elevational view thereof;

[52] U.S. Cl. D10/42

FIG. 4 is a right side elevational view thereof;

[58] Field of Search D10/42; 368/90;
194/350, 902

FIG. 5 is a bottom plan view thereof;

[56] References Cited

FIG. 6 is a rear elevational view thereof; and,

U.S. PATENT DOCUMENTS

FIG. 7 is a left side elevational view thereof.

D. 168,699 1/1953 Murphy D10/42

D. 177,884 5/1956 Sollenberger D10/42

The broken line showings of portions of a support pole are for illustrative purposes only and form no part of the claimed design.

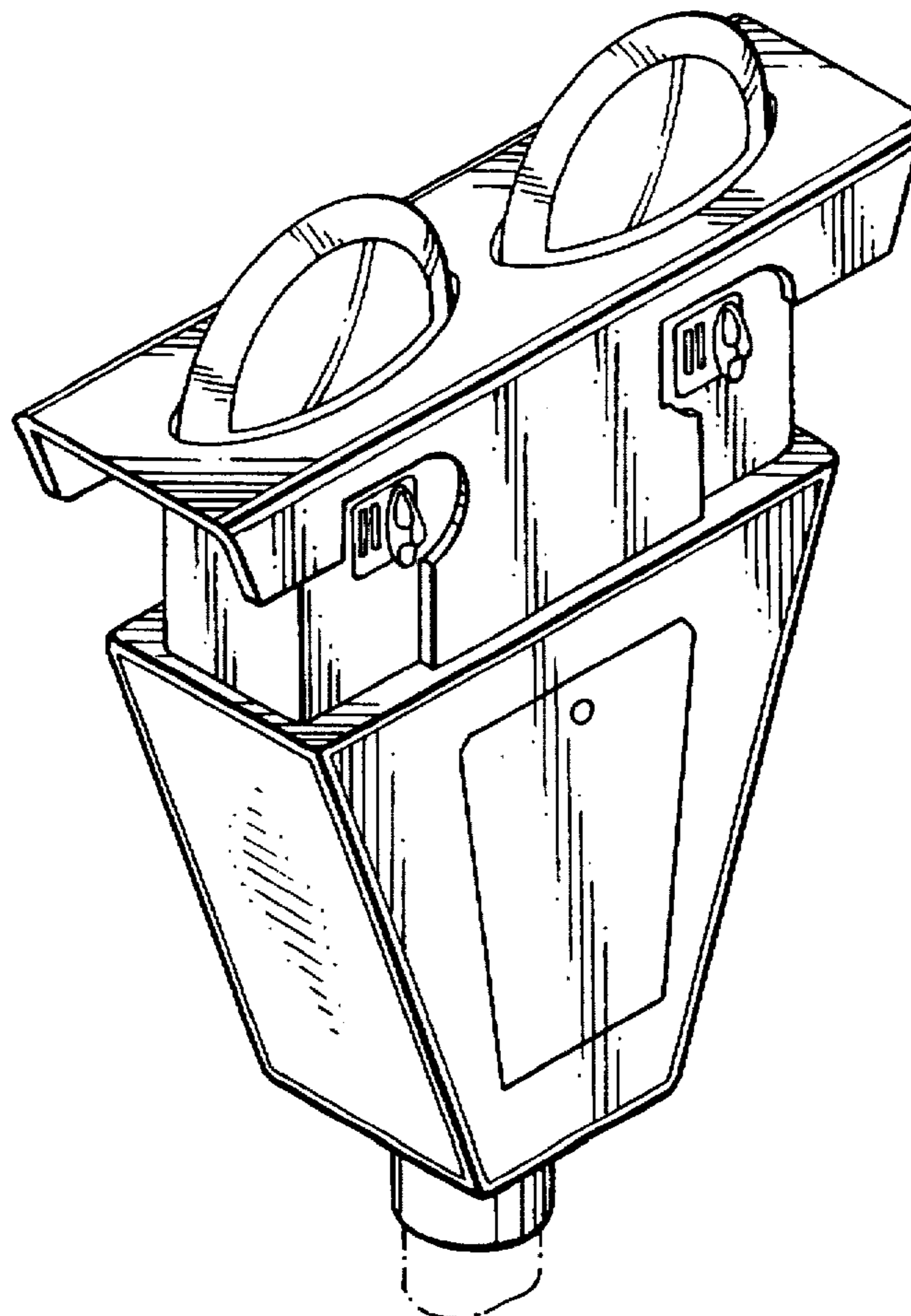
OTHER PUBLICATIONS

Hong Kong Enterprise—Nov. 1987—p. 147—Dual Meter at top right.

The American City—Mar. 1958—p. 13—Dual Meter at top.

Primary Examiner—Nelson C. Holtje

1 Claim, 3 Drawing Sheets



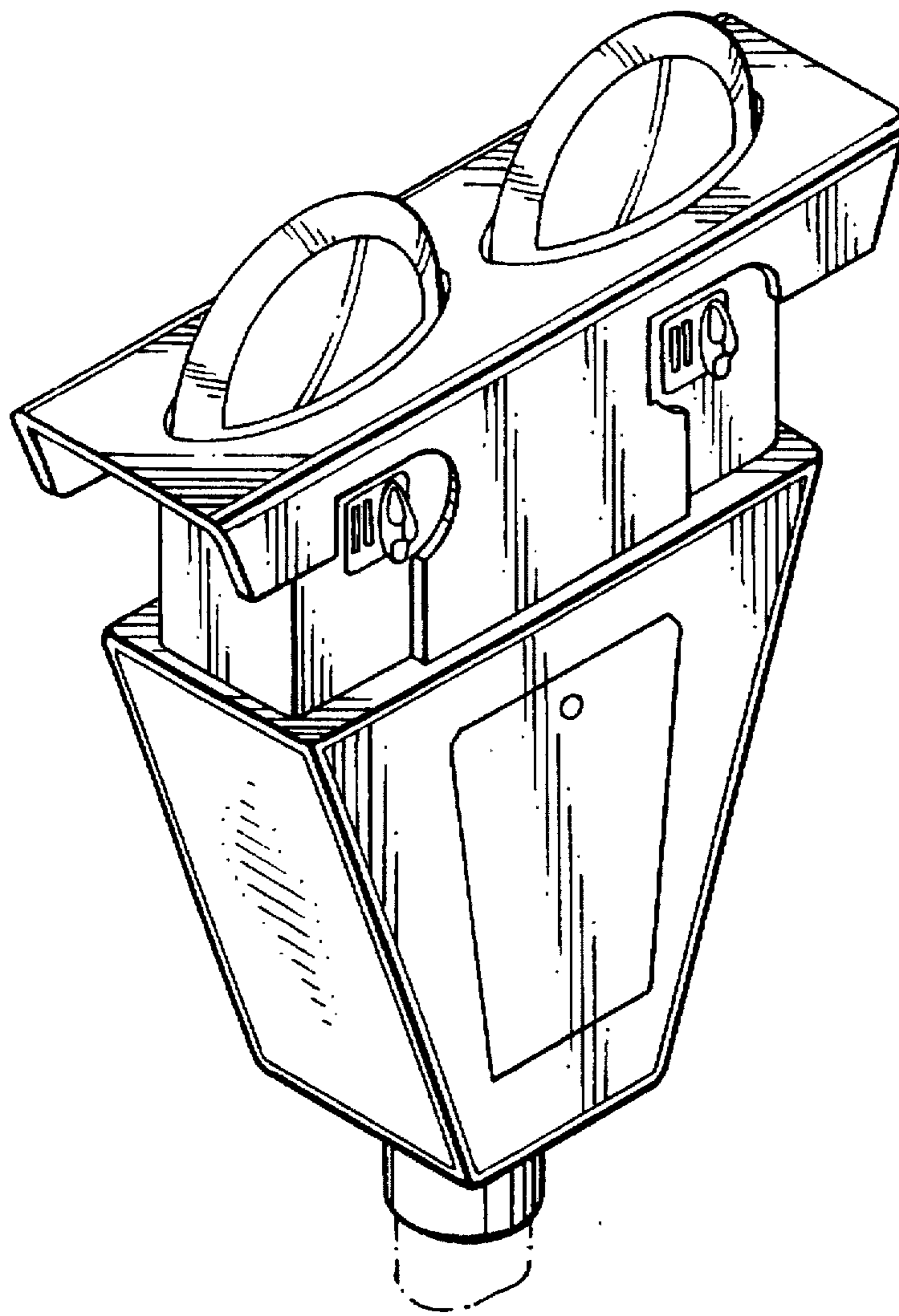


FIG. 1

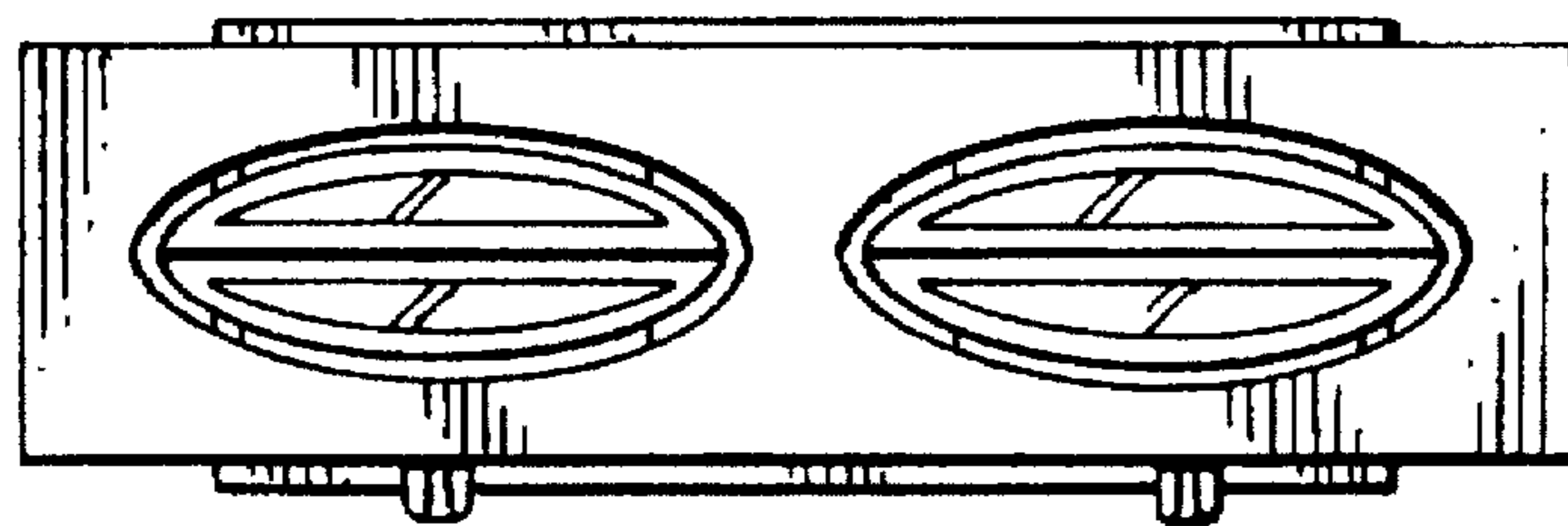


FIG. 2

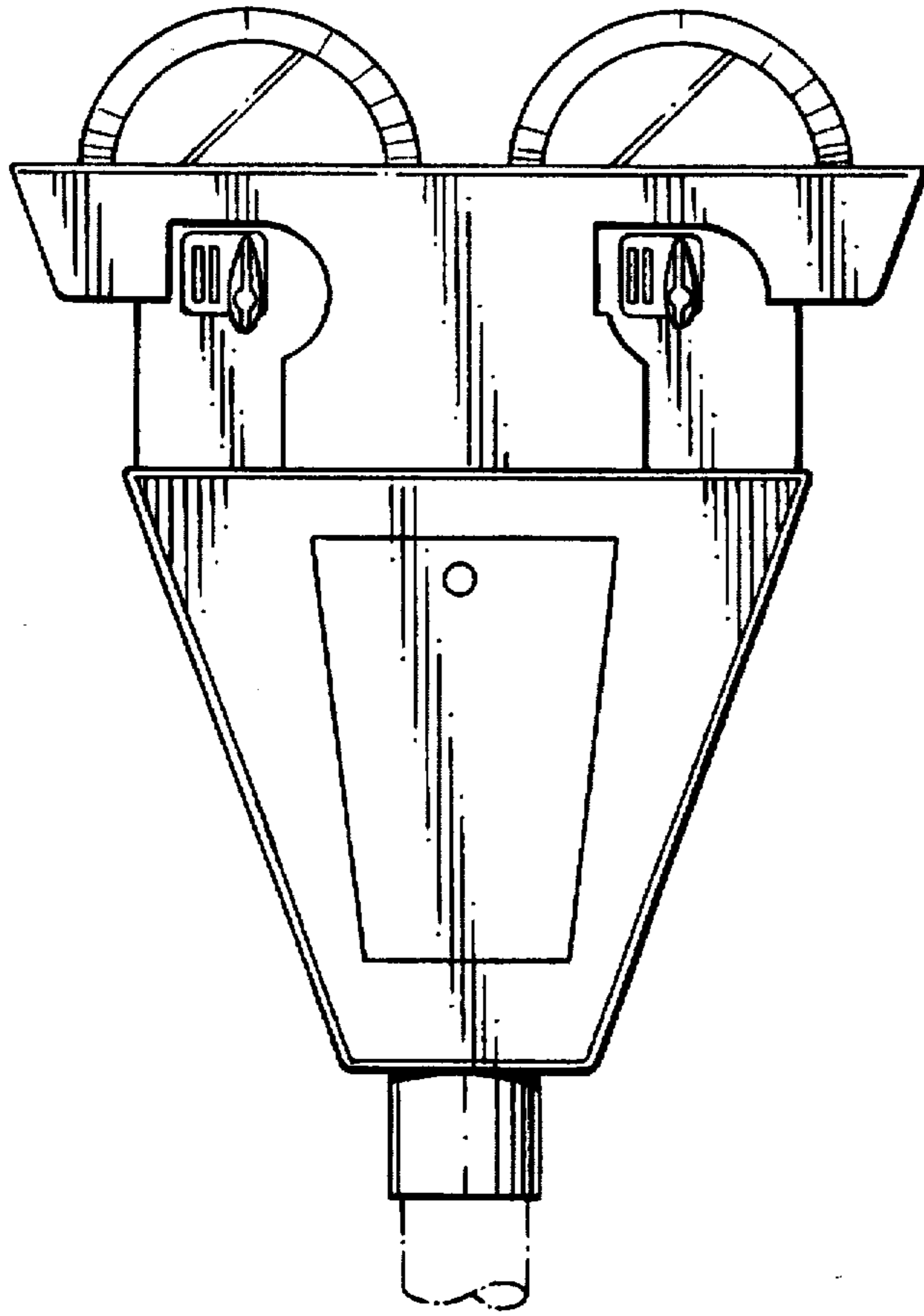


FIG. 3

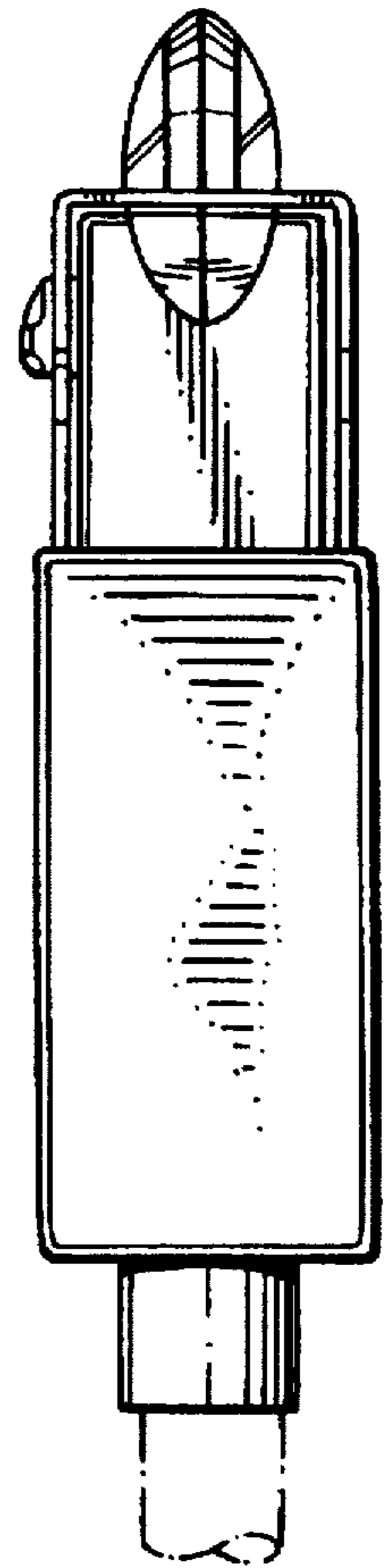


FIG. 4

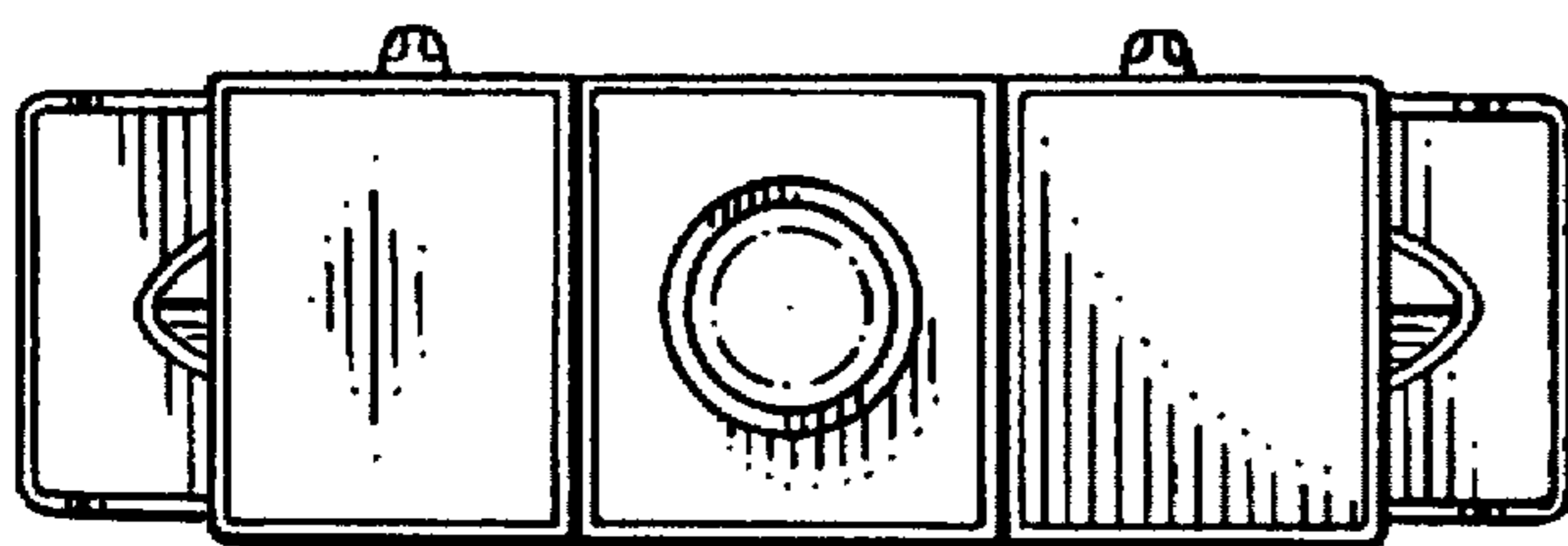


FIG. 5

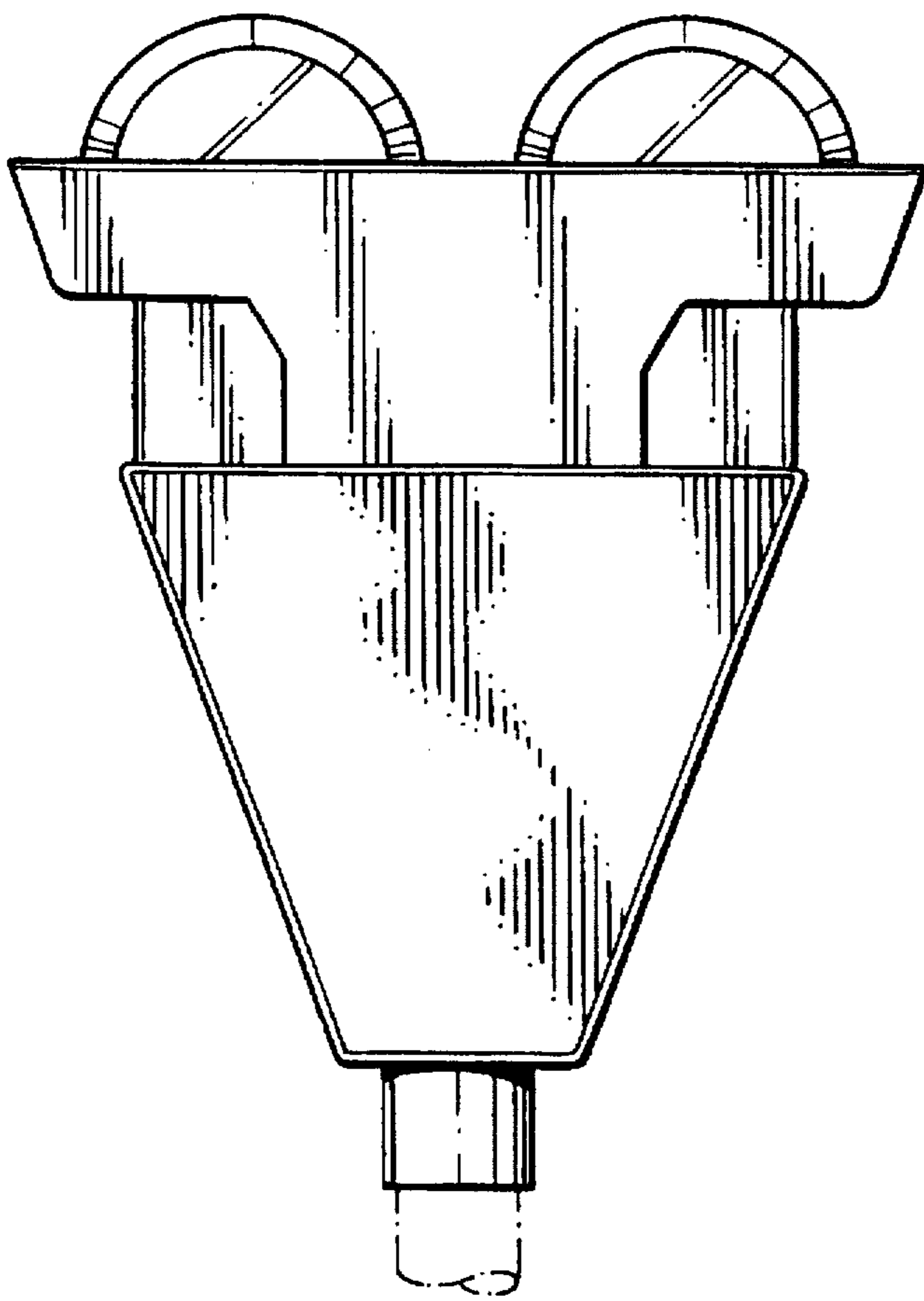


FIG. 6

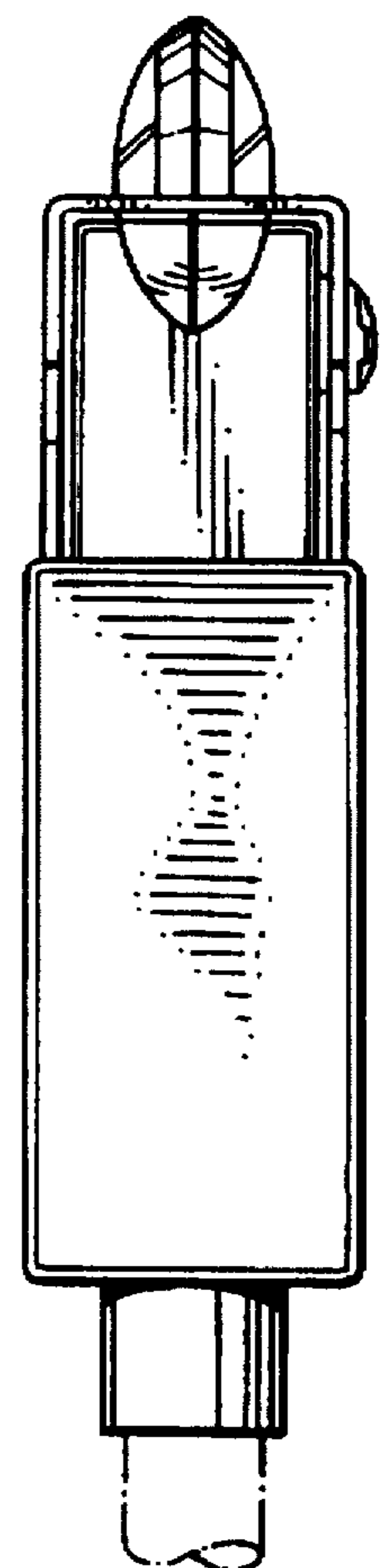


FIG. 7