



US00D393210S

**United States Patent** [19]  
**Ewing, Jr.**

[11] **Patent Number:** **Des. 393,210**  
[45] **Date of Patent:** **\*\*Apr. 7, 1998**

[54] **BOTTLE**  
[75] **Inventor:** **Paul E. Ewing, Jr.,** Monroe, Conn.  
[73] **Assignee:** **Mott's Inc.,** Stamford, Conn.  
[\*\*] **Term:** **14 Years**  
[21] **Appl. No.:** **65,702**  
[22] **Filed:** **Jan. 17, 1997**

D. 281,577 12/1985 Larson et al. .  
D. 282,349 1/1986 Larson et al. .... D9/540  
D. 318,798 8/1991 Biesecker .  
D. 323,983 2/1992 Bastidos .  
D. 329,817 9/1992 Best .  
D. 344,457 2/1994 Prevot et al. .... D9/556 X  
4,890,752 1/1990 Ota et al. .  
4,993,565 2/1991 Ota et al. .... 215/384  
5,141,121 8/1992 Brown et al. .... 215/384 X  
5,199,587 4/1993 Ota et al. .... 215/384 X  
5,226,550 7/1993 Mikolaitis et al. .

**Related U.S. Application Data**

[63] Continuation of Ser. No. 58,113, Aug. 8, 1996, abandoned.  
[51] **LOC (6) Cl.** ..... **09-01**  
[52] **U.S. Cl.** ..... **D9/543; D9/520; D9/569**  
[58] **Field of Search** ..... **D9/520, 538-543,**  
**D9/556, 557, 569, 570; 215/382, 383, 384,**  
**385, 398, 381**

*Primary Examiner*—Lucy Lieberman  
*Attorney, Agent, or Firm*—Pennie & Edmonds LLP

[57] **CLAIM**

The ornamental design for a bottle, as shown and described.

**DESCRIPTION**

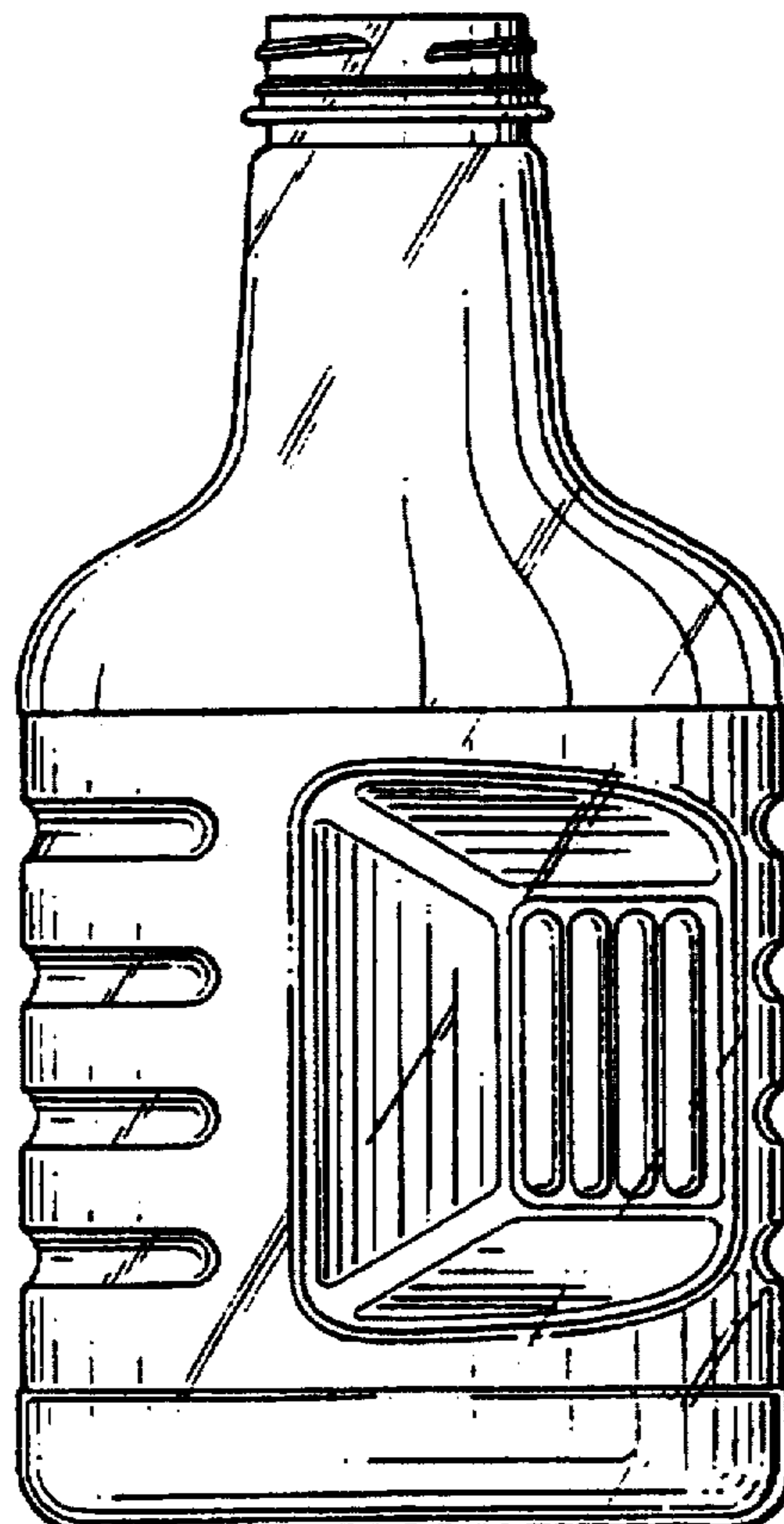
FIG. 1 shows a front view of a bottle in accordance with the principles of the present invention;  
FIG. 2 shows a back view of the bottle of FIG. 1;  
FIG. 3 is a right side elevation of the bottle, the left side elevation is a mirror image thereto;  
FIG. 4 shows a top view of the bottle of FIG. 1;  
FIG. 5 shows a bottom view of the bottle of FIG. 1; and,  
FIG. 6 shows a cross-sectional view taken along the line 6-6 in FIG. 2.

[56] **References Cited**

**U.S. PATENT DOCUMENTS**

D. 198,404 6/1964 Bush et al. .  
D. 209,018 10/1967 Holtz ..... D9/543  
D. 214,550 7/1969 Plummer et al. .  
D. 277,551 2/1985 Kerr ..... D9/543  
D. 278,977 5/1985 Franchi et al. .  
D. 279,167 6/1985 Haney et al. .... D9/540

**1 Claim, 3 Drawing Sheets**



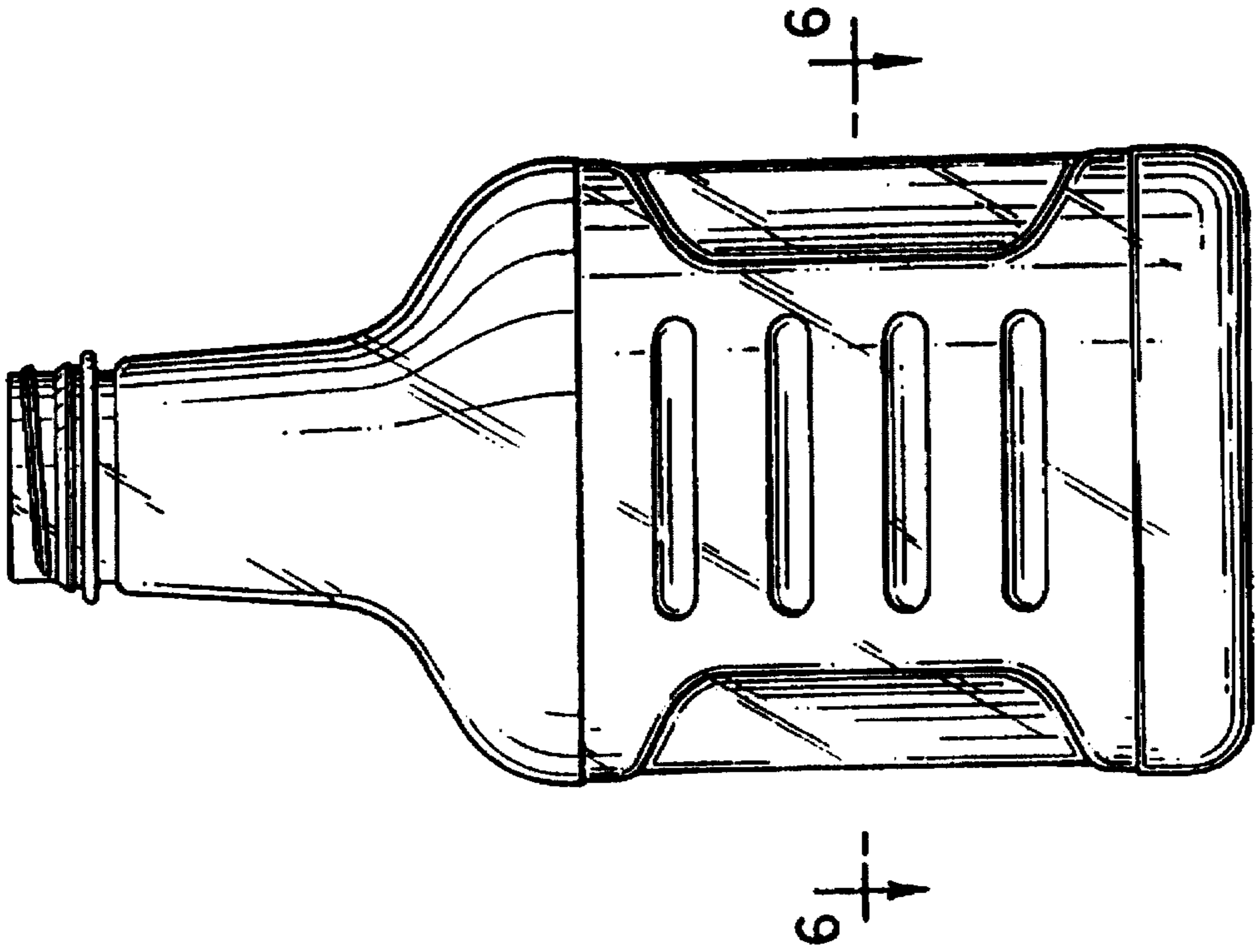


FIG. 1

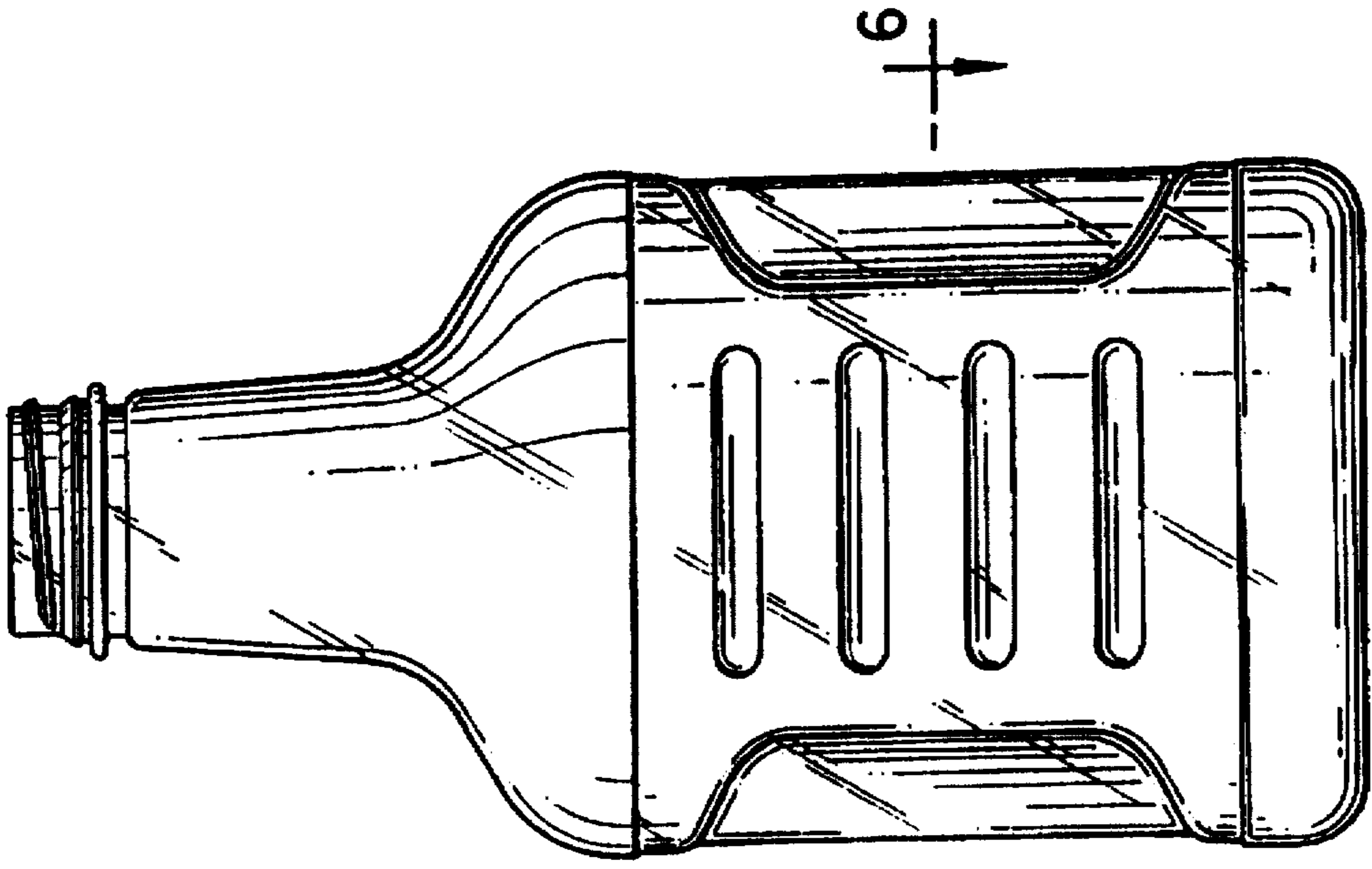


FIG. 2

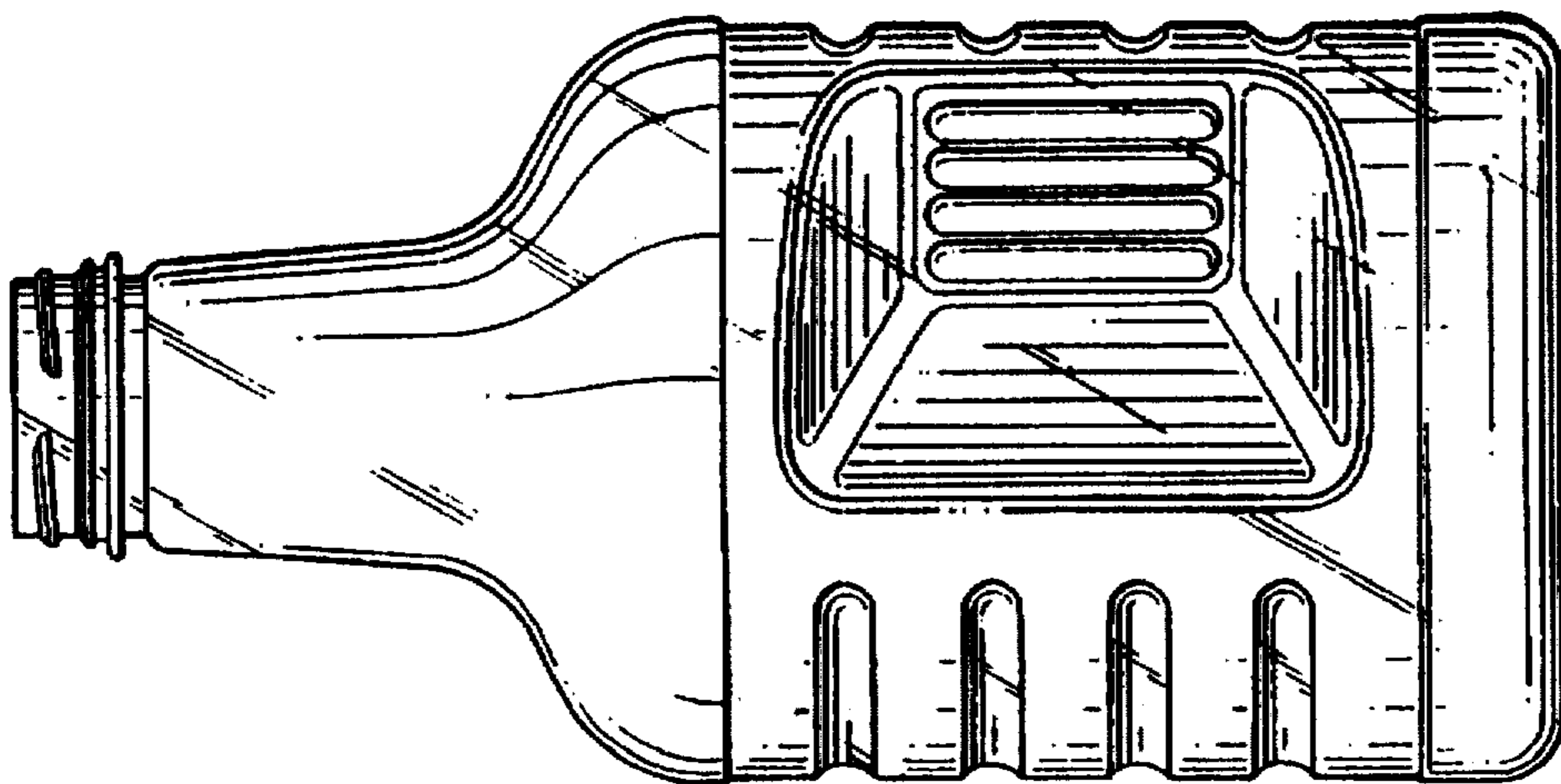


FIG. 3

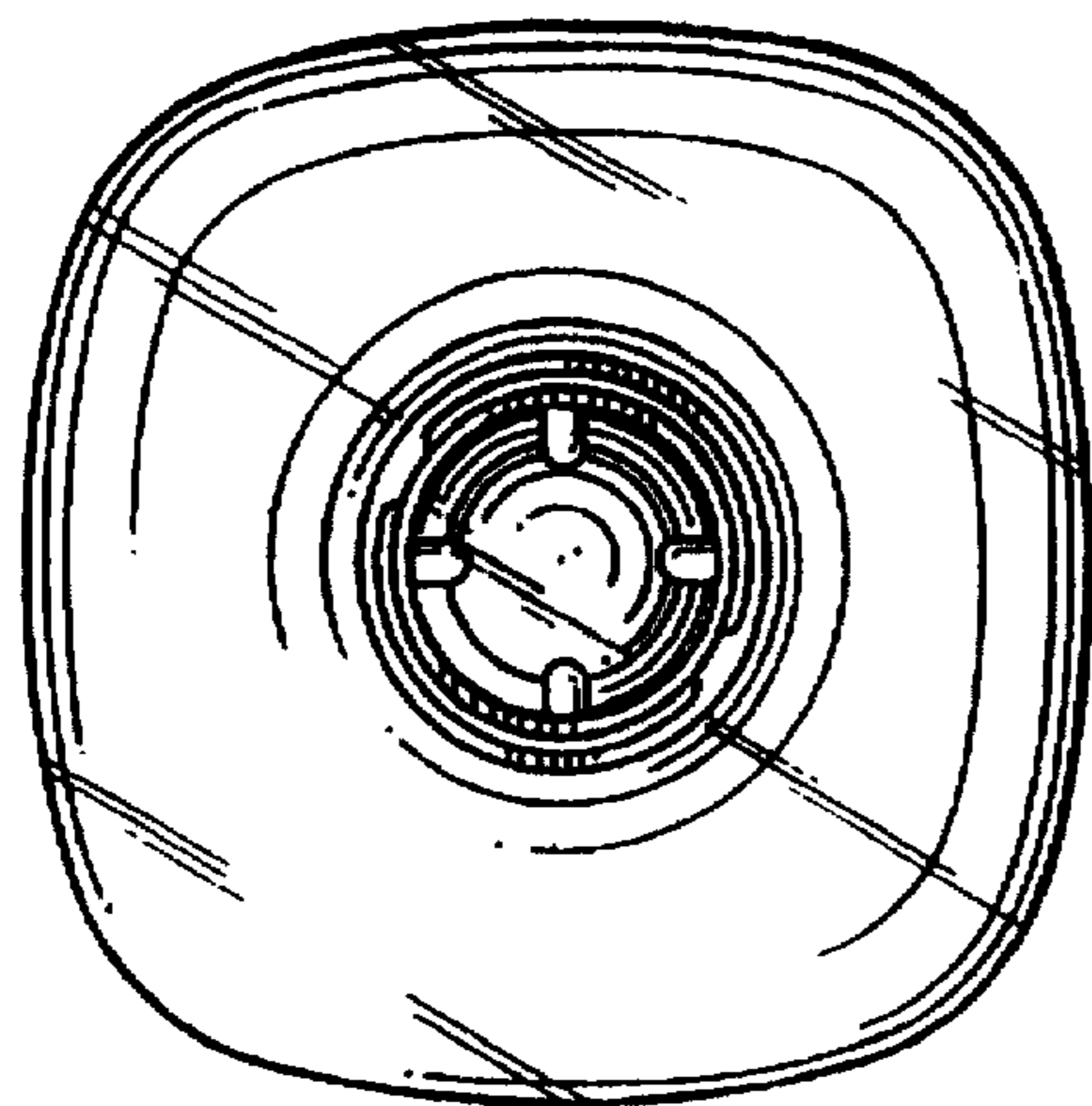


FIG. 4

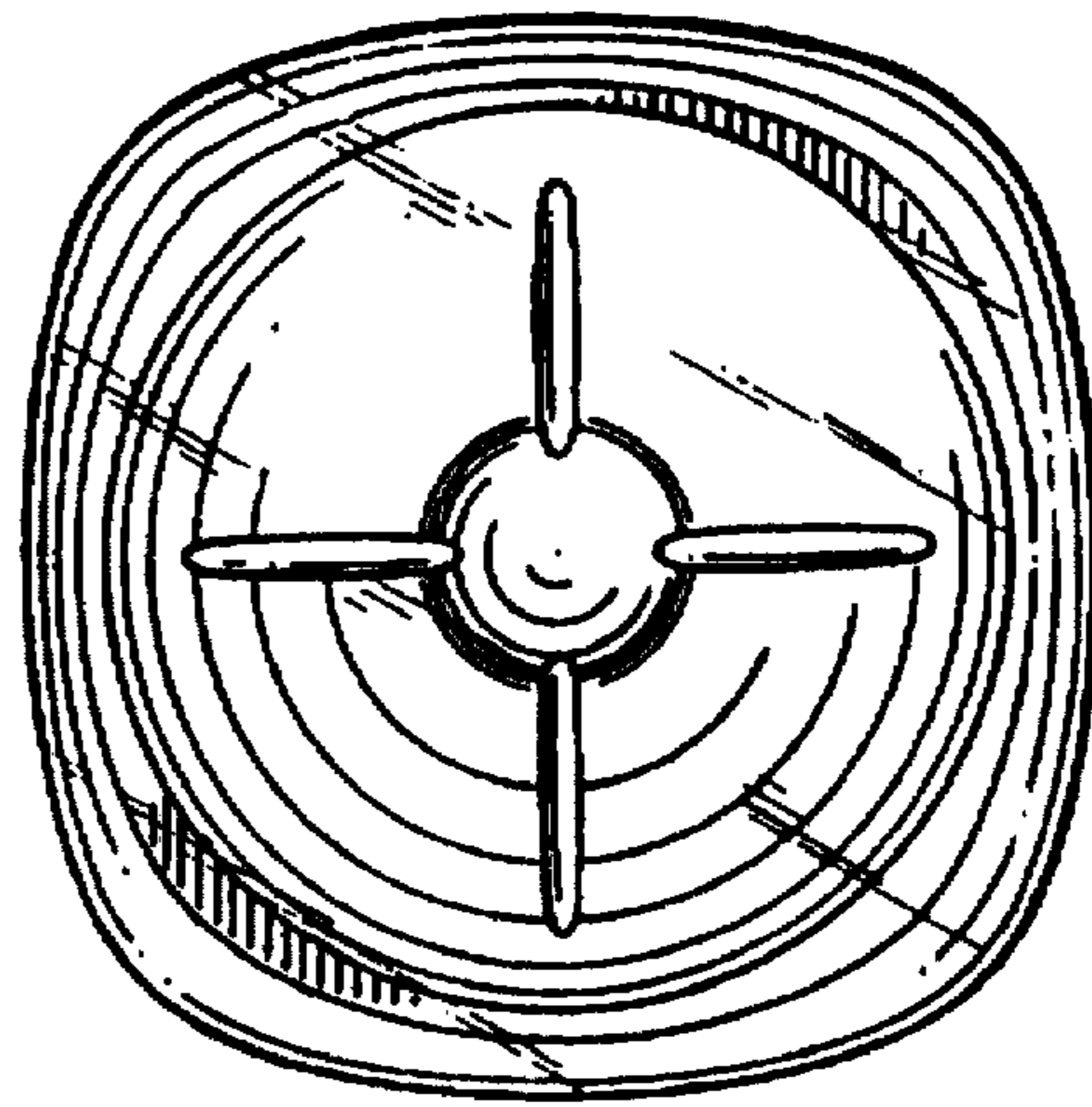


FIG. 5

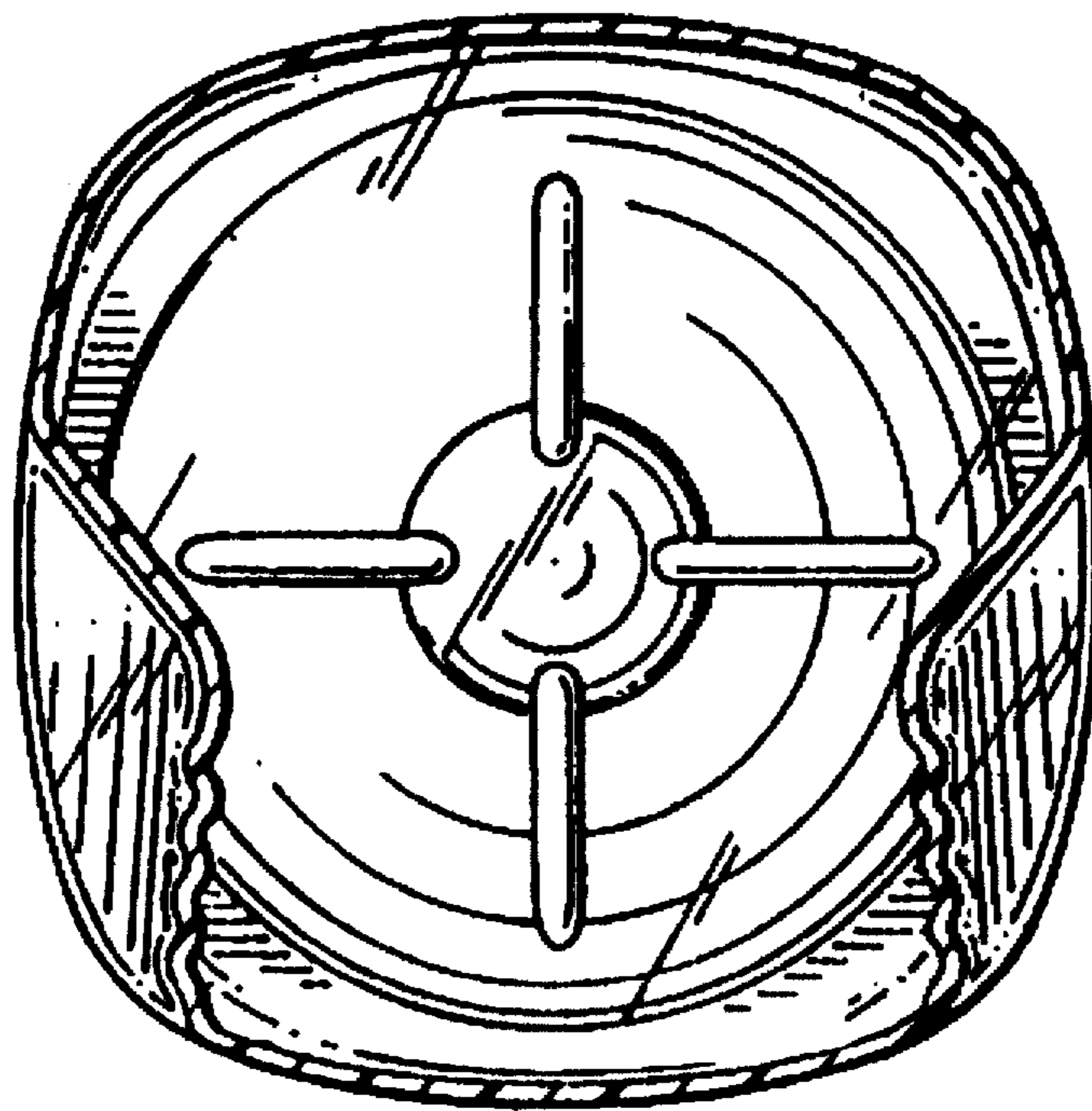


FIG. 6