



US00D393200S

United States Patent [19]
Longstreet

[11] **Patent Number:** **Des. 393,200**
[45] **Date of Patent:** ****Apr. 7, 1998**

[54] **ADJUSTABLE SECURING DEVICE**

[76] **Inventor:** **Dean E. Longstreet**, 830 W. Oak St.,
Lebanon, Oreg. 97355

[**] **Term:** **14 Years**

[21] **Appl. No.:** **58,248**

[22] **Filed:** **Aug. 9, 1996**

[51] **LOC (6) Cl.** **08-08**

[52] **U.S. Cl.** **D8/383**

[58] **Field of Search** D8/312, 383; 24/129 R,
24/132 R, 135 R, 135 A, 135 K, 135 N;
410/96, 97

[56] **References Cited**

U.S. PATENT DOCUMENTS

189,274	4/1877	Smith	24/135 R
D. 233,507	11/1974	Stevens, Jr.	D8/312
D. 328,241	7/1992	Longstreet	D8/383
D. 344,440	2/1994	Oakley	D8/312
D. 372,666	8/1996	Longstreet	D8/383
1,262,951	4/1918	Houff	24/135 R
3,120,043	2/1964	Henley	24/132 R
3,398,714	8/1968	Wallen et al.	24/129 R

Primary Examiner—B. J. Bullock
Attorney, Agent, or Firm—Klarquist Sparkman Campbell
Leigh & Whinston, LLP

[57] **CLAIM**

The adjustable securing device, as shown and described.

DESCRIPTION

FIG. 1 is a perspective view of an adjustable securing device in accordance with an embodiment of the present invention, with the adjustable securing device in an open position for receiving a flexible line, such as a rope;

FIG. 2 is a perspective view of the adjustable securing device of FIG. 1 with the securing device in a fully closed position;

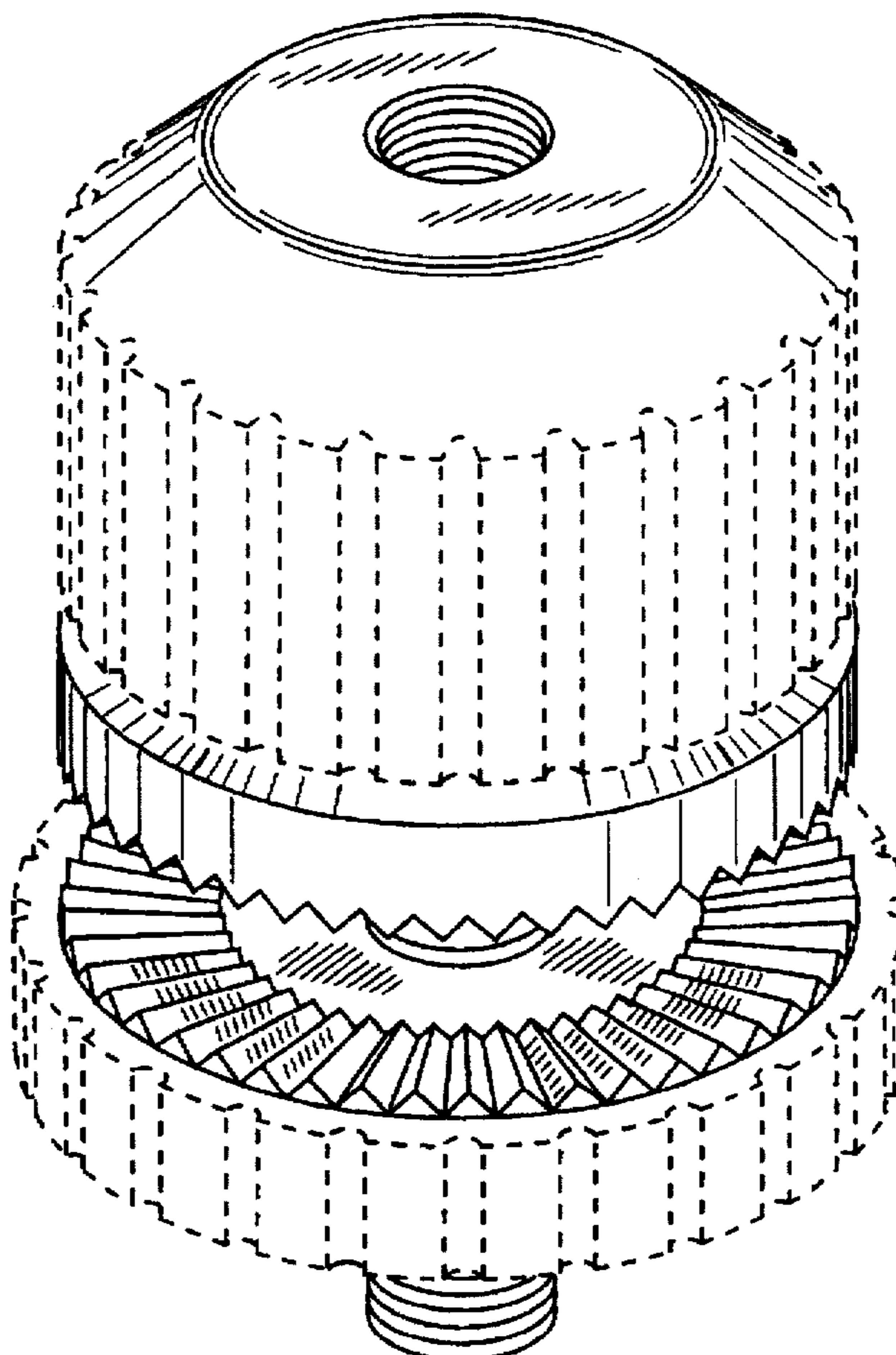
FIG. 3 is a side elevational view of the adjustable securing device of FIG. 1;

FIG. 4 is a top view of the adjustable securing device of FIG. 1; and,

FIG. 5 is a bottom view of the adjustable securing device of FIG. 1.

The broken lines that define the bounds of the upper and lower portion of the claimed design form no part thereof.

1 Claim, 1 Drawing Sheet



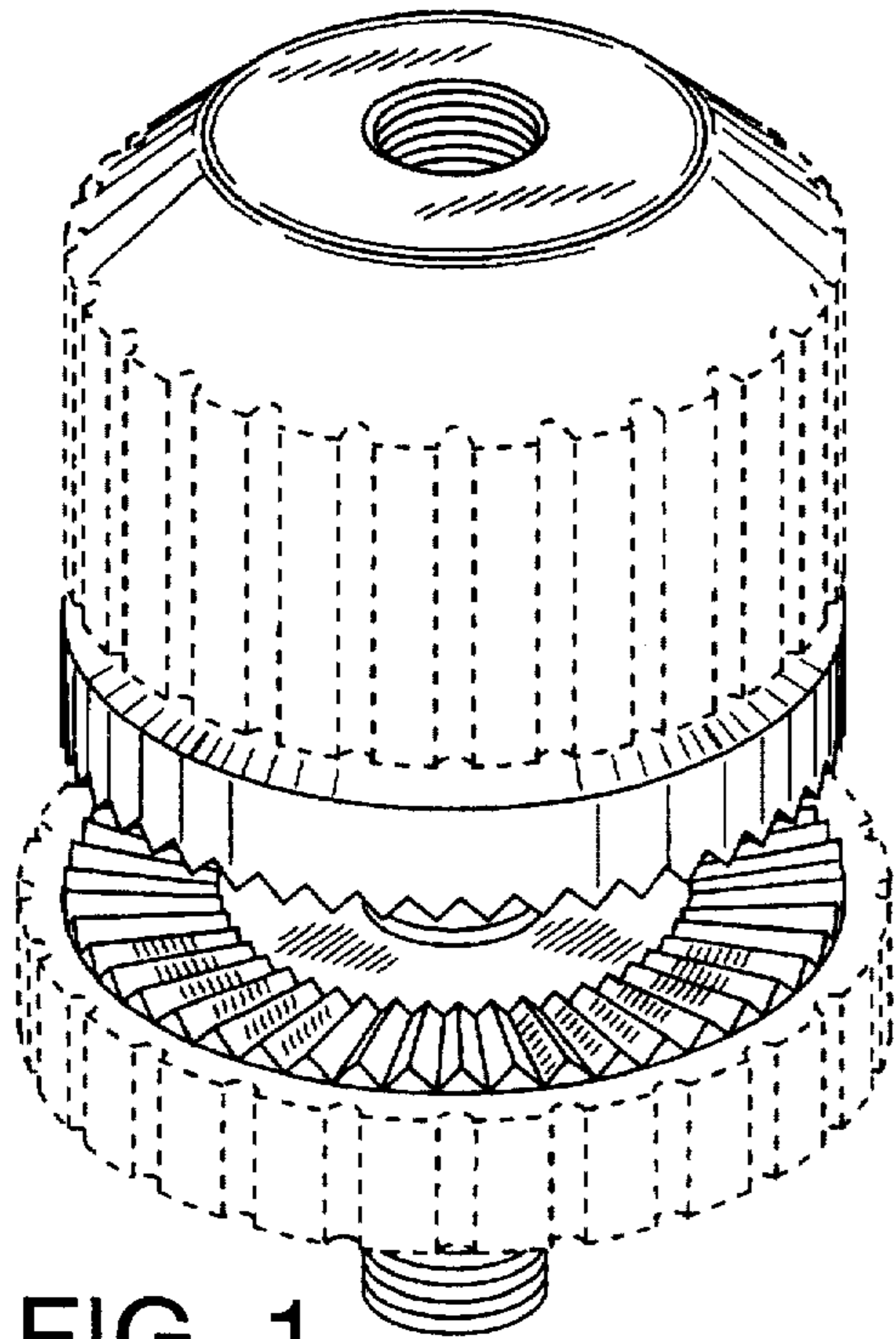


FIG. 1

FIG. 2

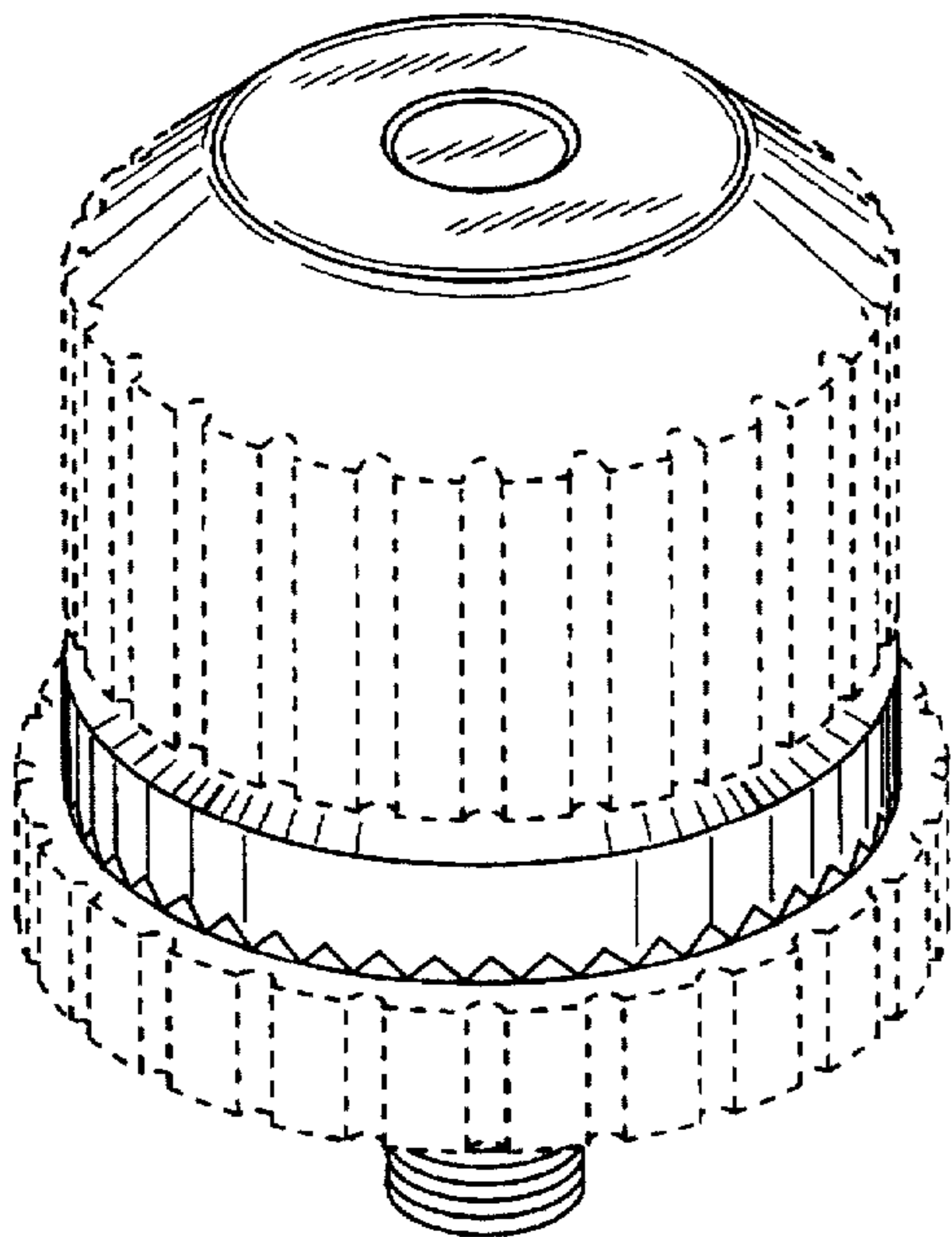


FIG. 4

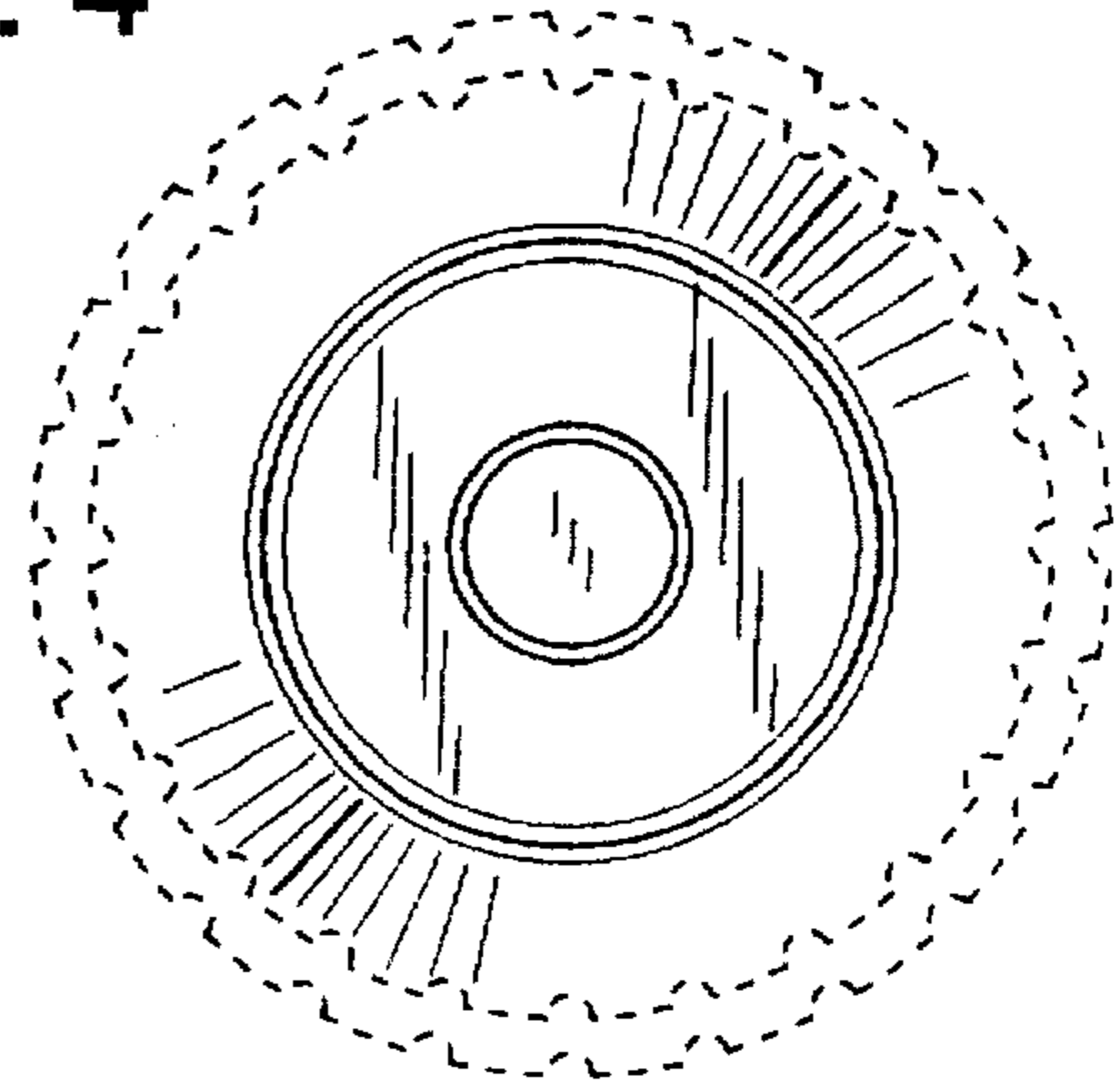


FIG. 3

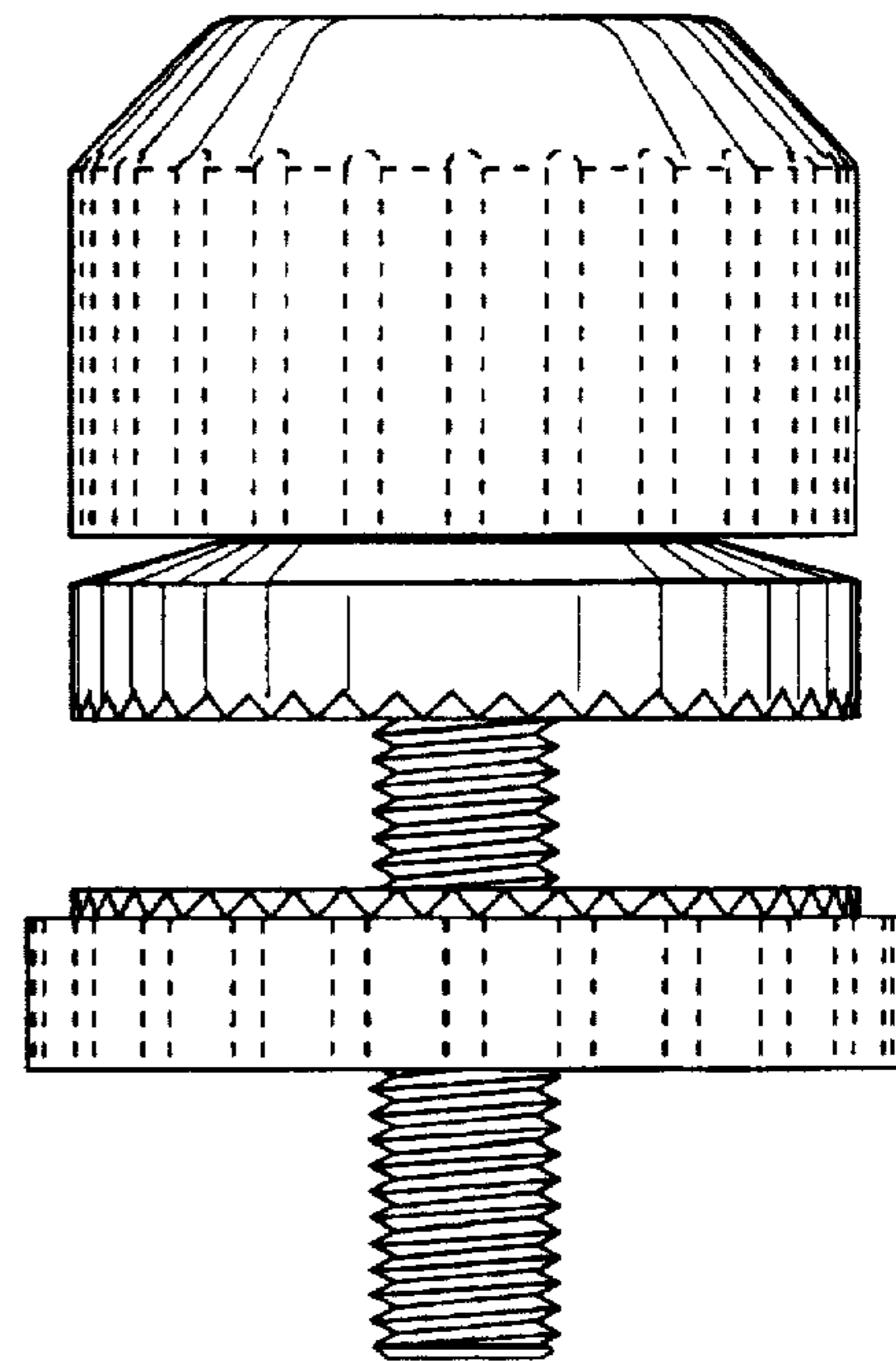


FIG. 5

