



US00D393198S

United States Patent [19] Schmidt

[11] Patent Number: **Des. 393,198**
[45] Date of Patent: ****Apr. 7, 1998**

[54] **MOVABLE RADIATOR HOLDER**
[75] Inventor: **Rex G. Schmidt**, Hydro, Okla.
[73] Assignee: **Robert M. Avila**, San Clemente, Calif.;
a part interest
[**] Term: **14 Years**
[21] Appl. No.: **64,073**
[22] Filed: **Nov. 12, 1996**
[51] LOC (6) CL **08-05**
[52] U.S. Cl. **D8/355**
[58] Field of Search D8/354-355, 349;
248/317, 99, 174, 176, 327, 231.71, 214,
200.1

Primary Examiner—Holly Baynham
Attorney, Agent, or Firm—James G. O'Neill

[57] CLAIM

The ornamental design for a movable radiator holder, as shown and described.

DESCRIPTION

FIG. 1 is a front elevational view of my movable radiator holder;
FIG. 2 is a right side elevational view of FIG. 1;
FIG. 3 is a left side elevational view of FIG. 1;
FIG. 4 is a rear elevational view of FIG. 1;
FIG. 5 is a top plan view of FIG. 1;
FIG. 6 is a bottom plan view of FIG. 1; and,
FIG. 7 is a perspective view of my movable radiator holder with the broken line showing of a radiator being for illustrative purposes only and forming no part of the claimed design.

The claimed design is shown broken away in FIGS. 1-4 and 7 to indicate indeterminate length.

1 Claim, 2 Drawing Sheets

[56] References Cited

U.S. PATENT DOCUMENTS

1,211,527	1/1917	Berndt	248/231.71	X
3,022,974	2/1962	Knodel	248/200.1	
3,891,173	6/1975	Ellis et al.	248/231.71	
4,410,158	10/1983	Maffei	248/214	

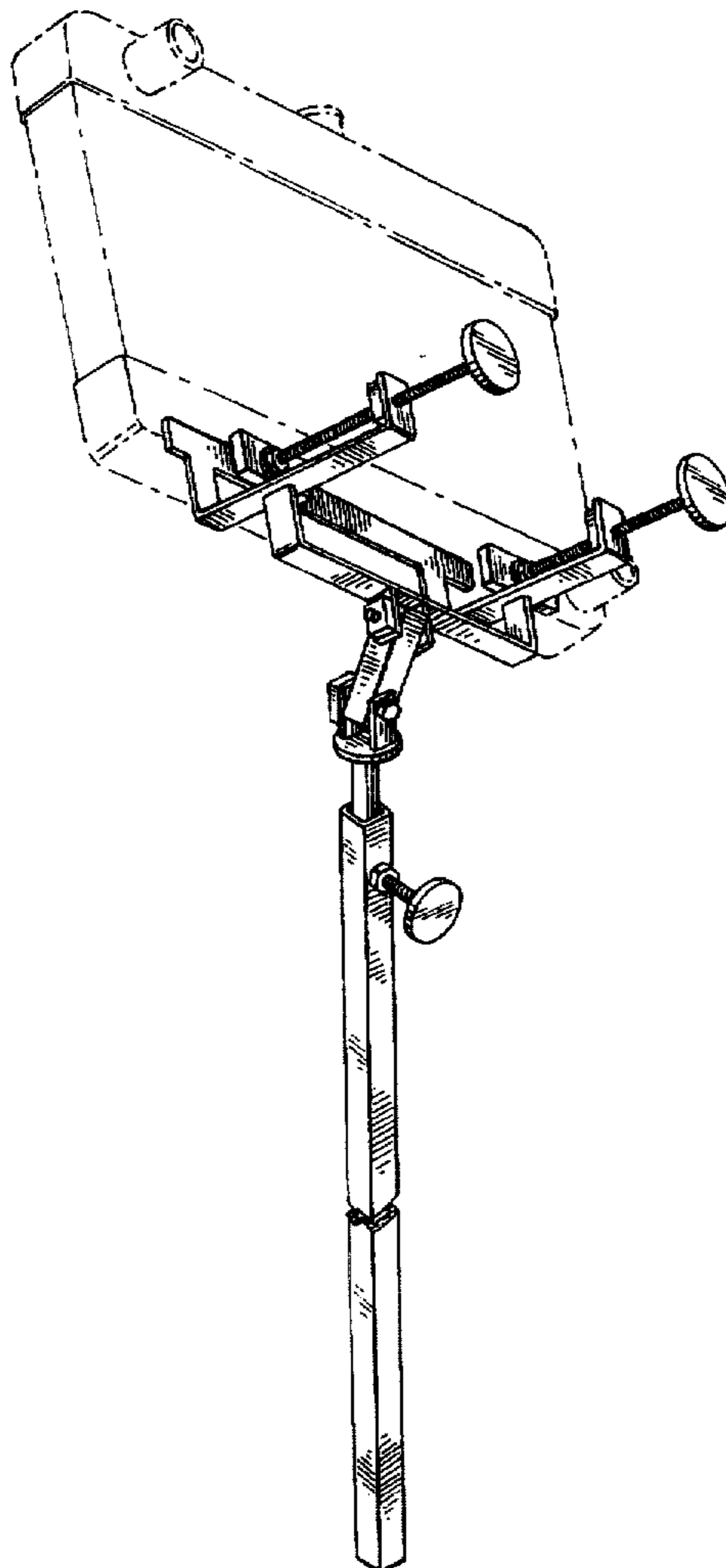


FIG. 1

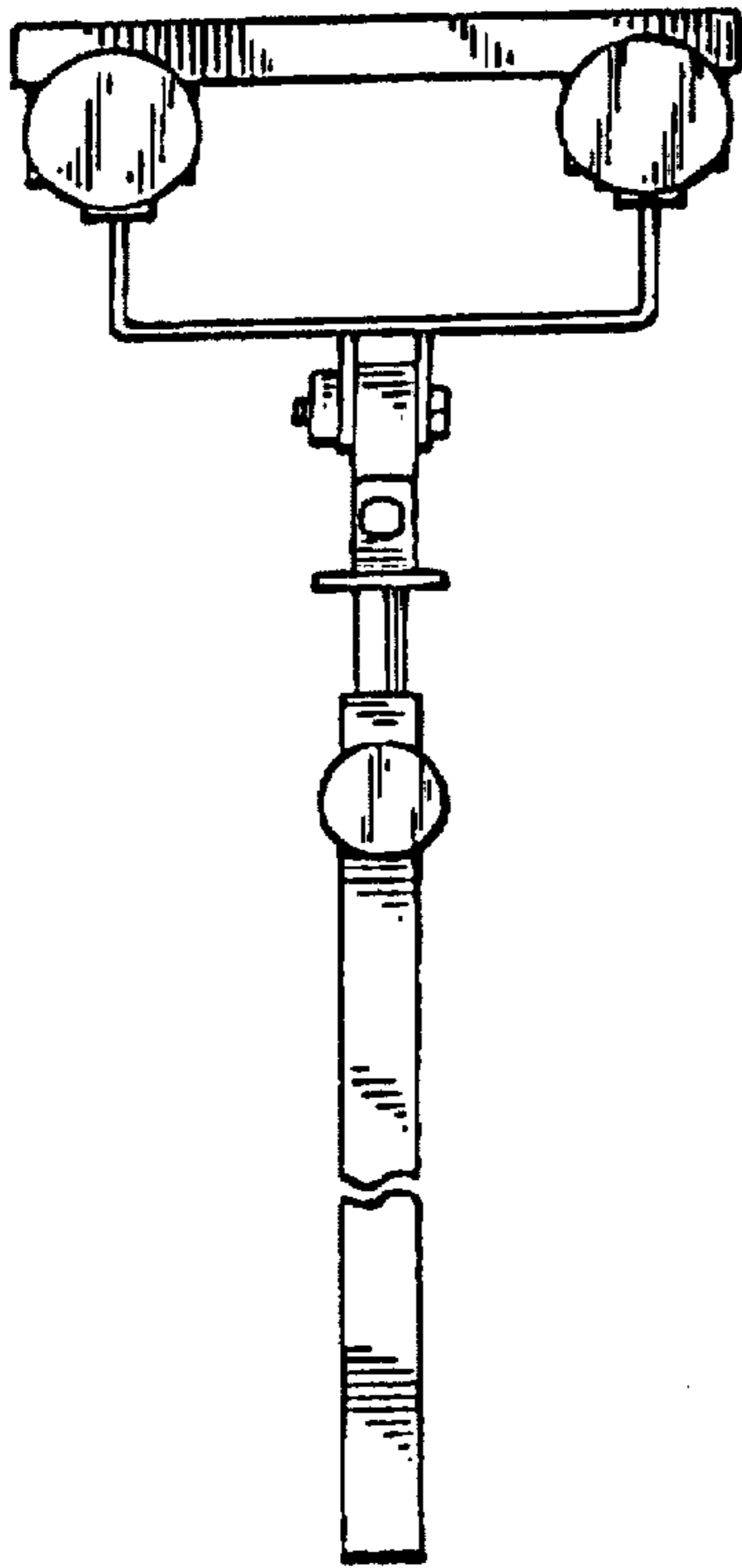


FIG. 2

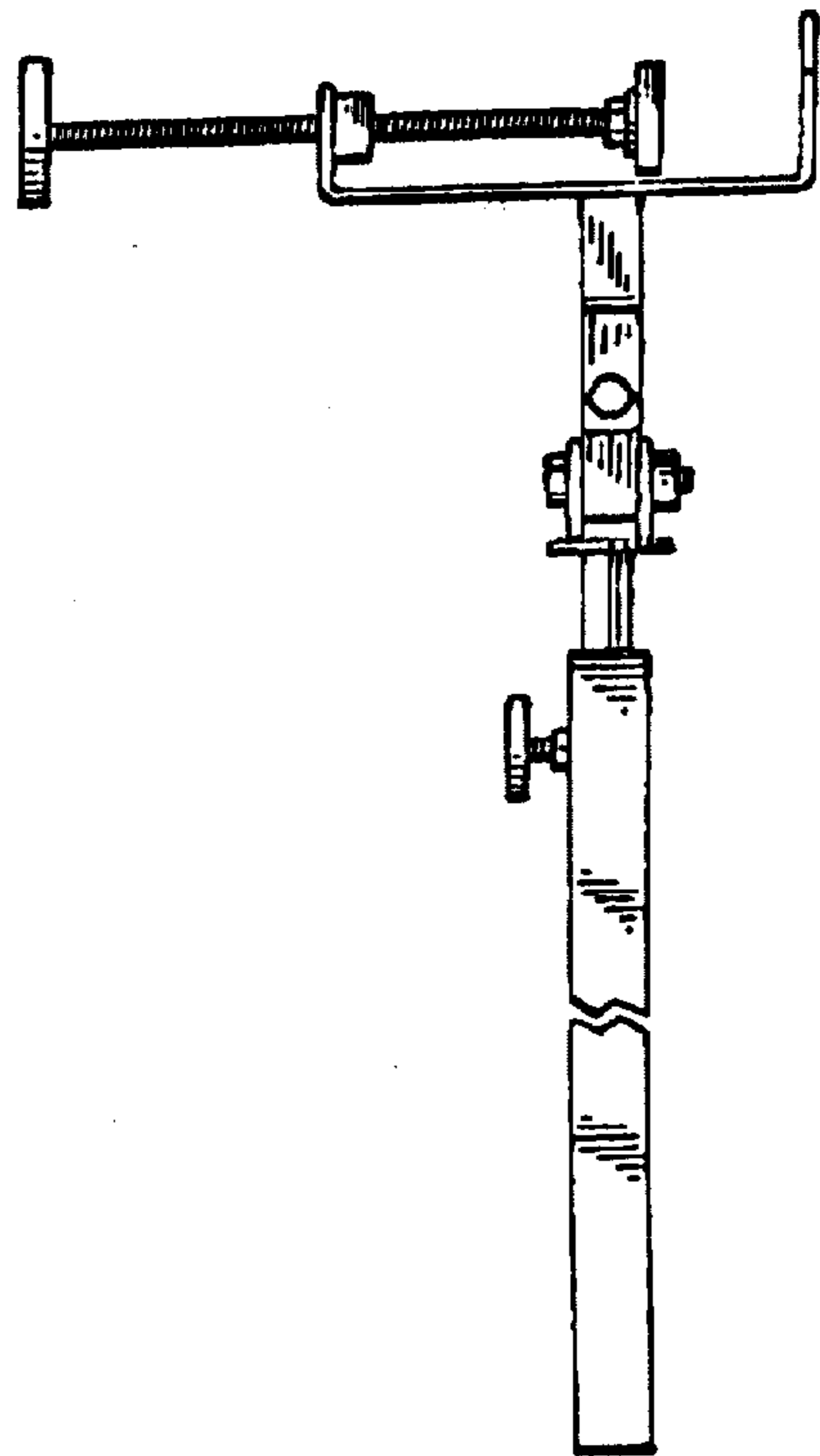


FIG. 3

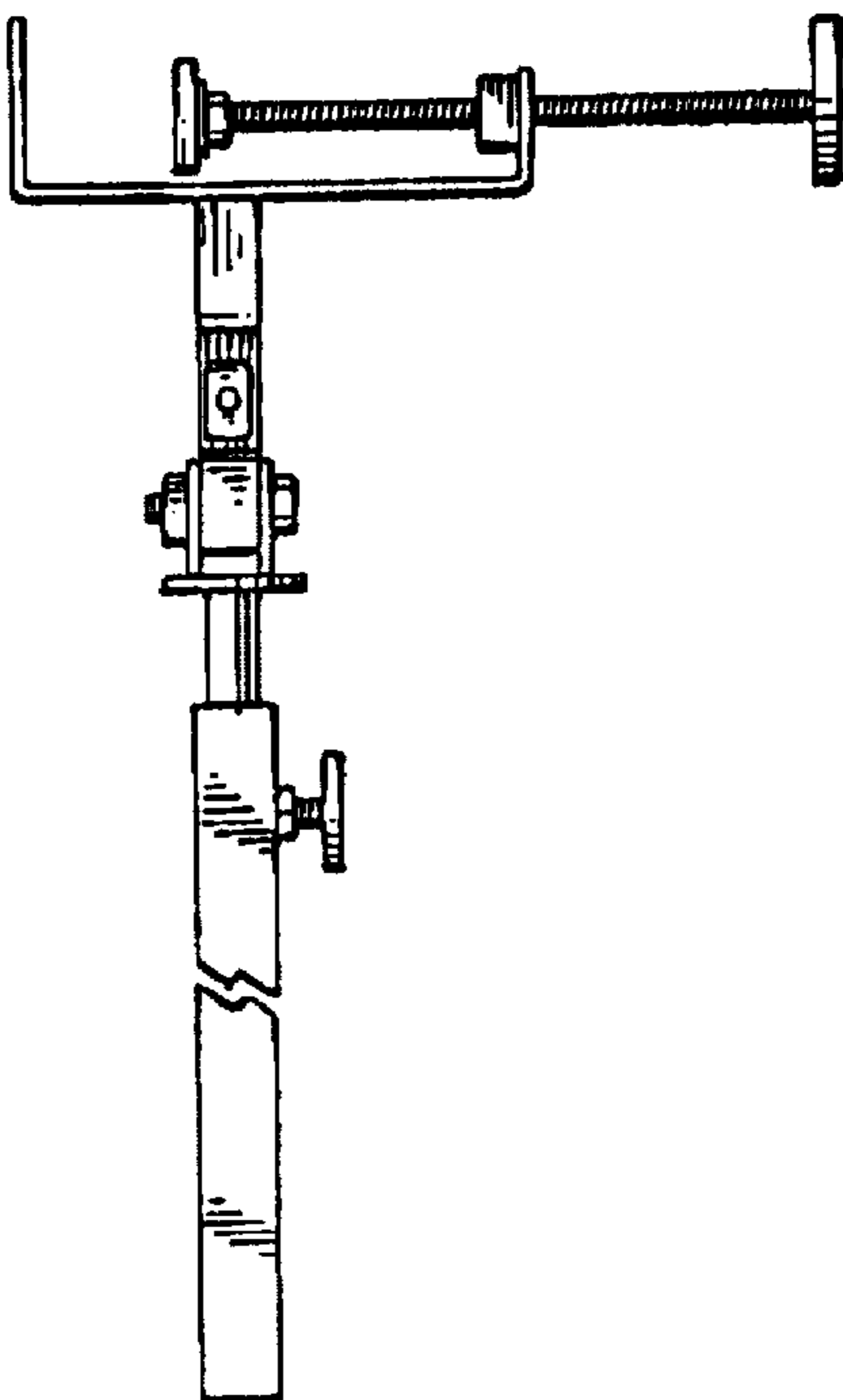


FIG. 4

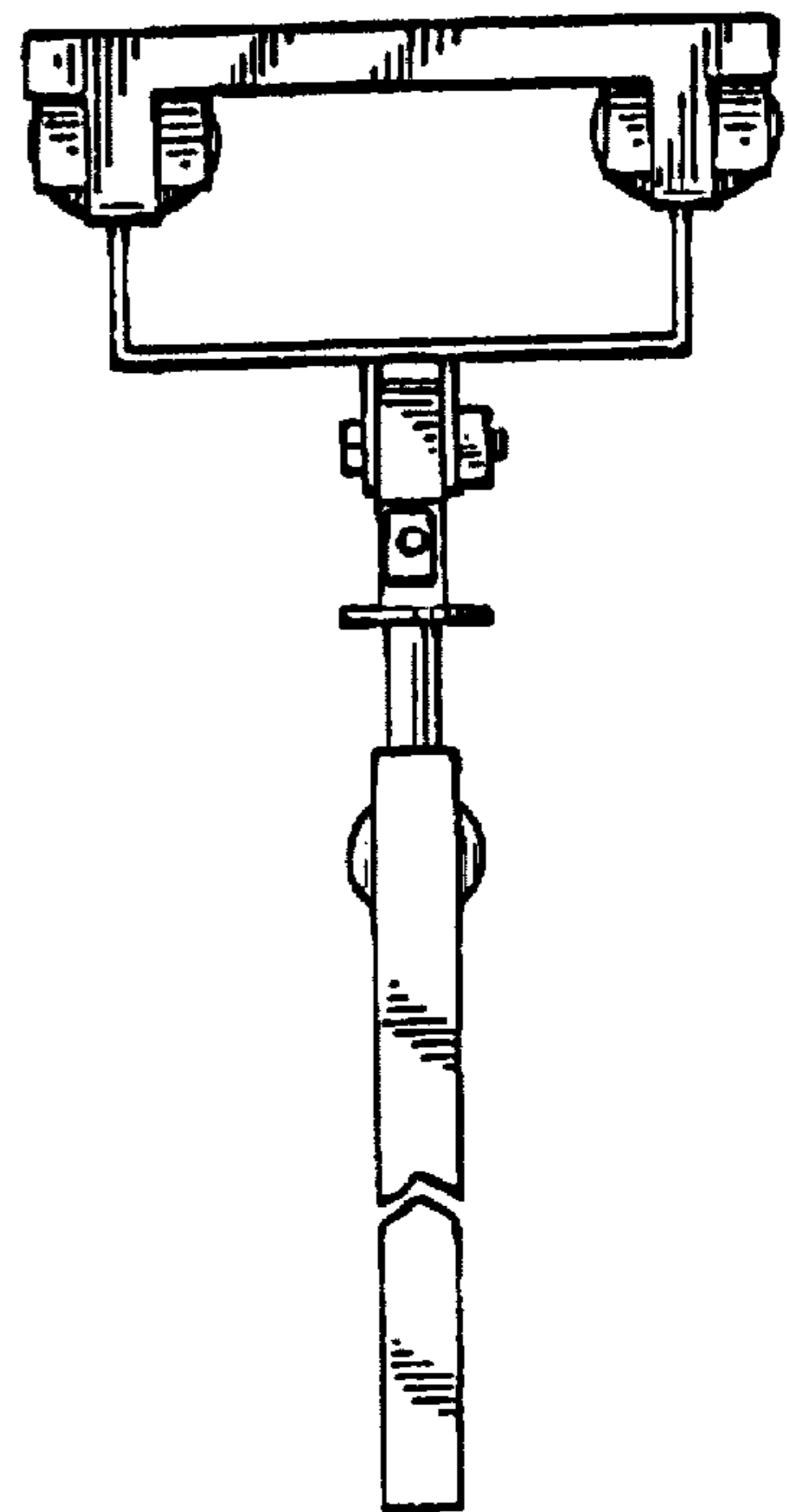


FIG. 5

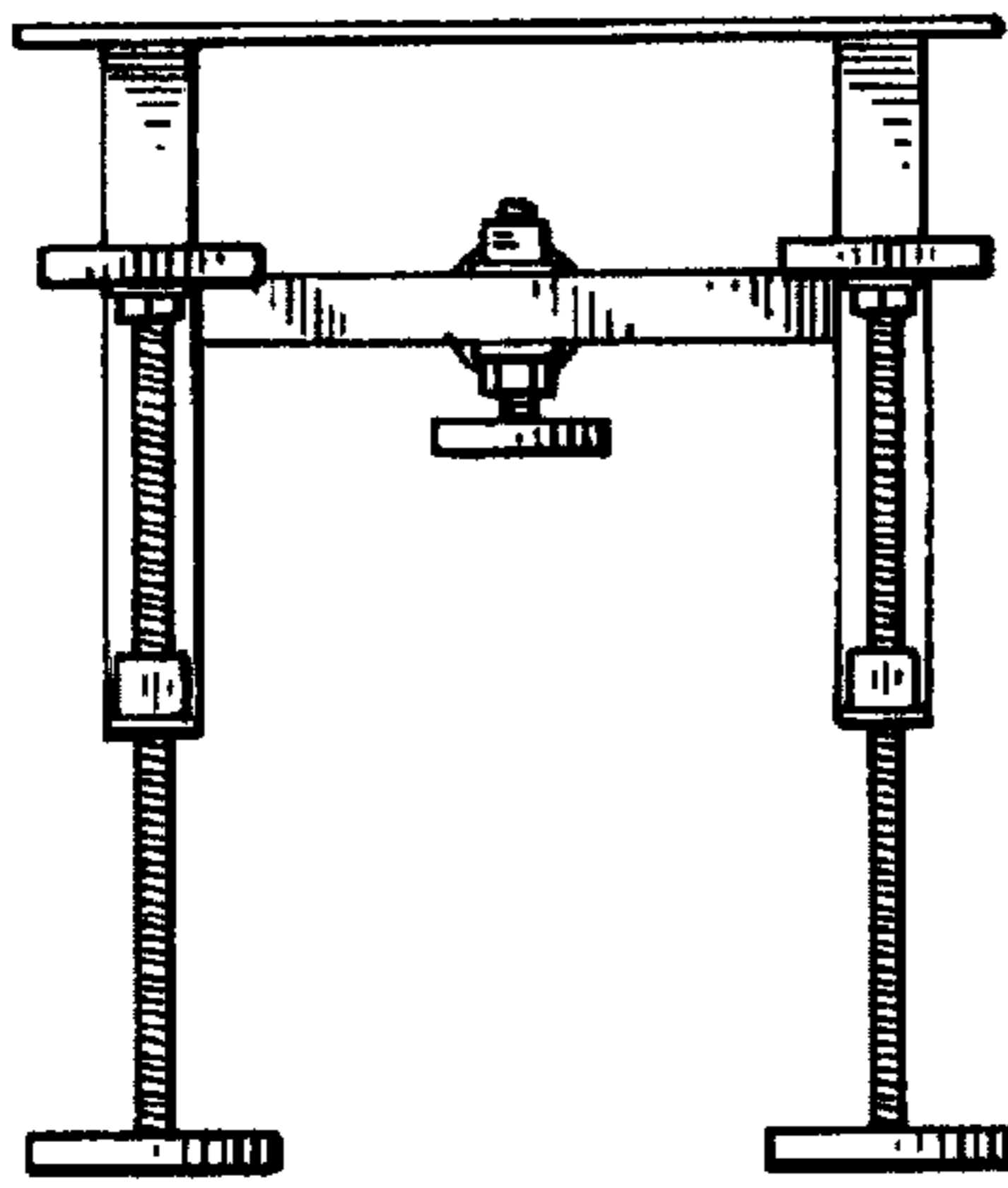


FIG. 7

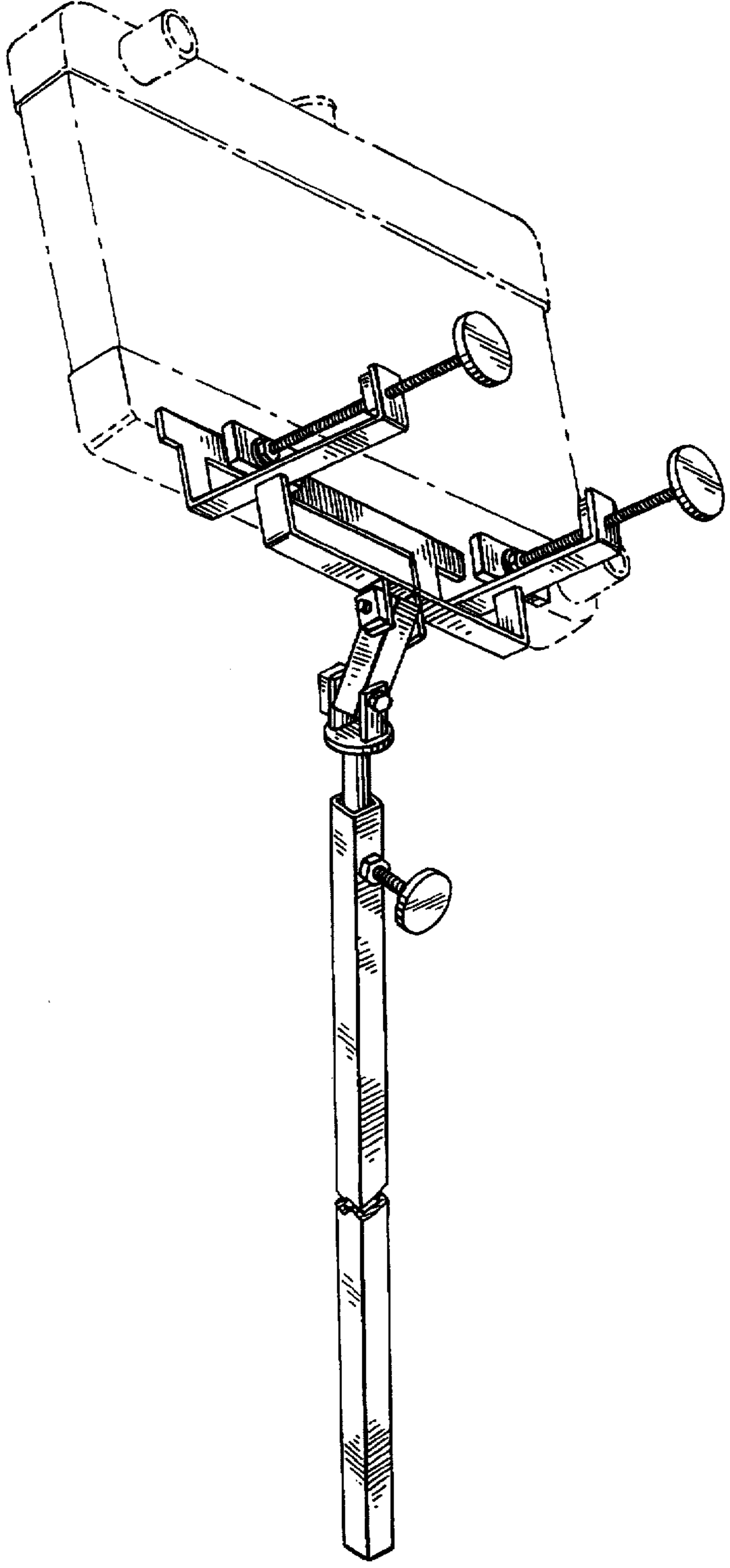


FIG. 6

