



US00D393196S

United States Patent [19]

[11] Patent Number: **Des. 393,196**

Klotz

[45] Date of Patent: ****Apr. 7, 1998**

[54] **RADIAL CUTTER**

[76] Inventor: **Sonja Weschenfelder geb. Klotz,**
Graf-Zeppelin-Str. 6, 76694 Forst,
Germany

[**] Term: **14 Years**

[21] Appl. No.: **68,193**

[22] Filed: **Mar. 17, 1997**

[51] LOC (6) Cl. **08-03**

[52] U.S. Cl. **D8/98**

[58] Field of Search 30/300, 310, 293,
30/294; D8/98, 51

[56] **References Cited**

U.S. PATENT DOCUMENTS

2,677,887	5/1954	Saboda	30/300
2,943,392	7/1960	Attridge	30/310
3,057,065	10/1962	Zimmerman	30/310

4,030,192	6/1977	Umholtz	30/310
4,044,464	8/1977	Schiess et al.	30/310
4,782,730	11/1988	Picone et al.	30/300
5,065,517	11/1991	Markes	30/300

Primary Examiner—Philip S. Hyder

[57] **CLAIM**

The ornamental design for a radial cutter, as shown and described.

DESCRIPTION

FIG. 1 is a right side view in elevation of a radial cutter showing my new design;

FIG. 2 is a left side elevational view thereof;

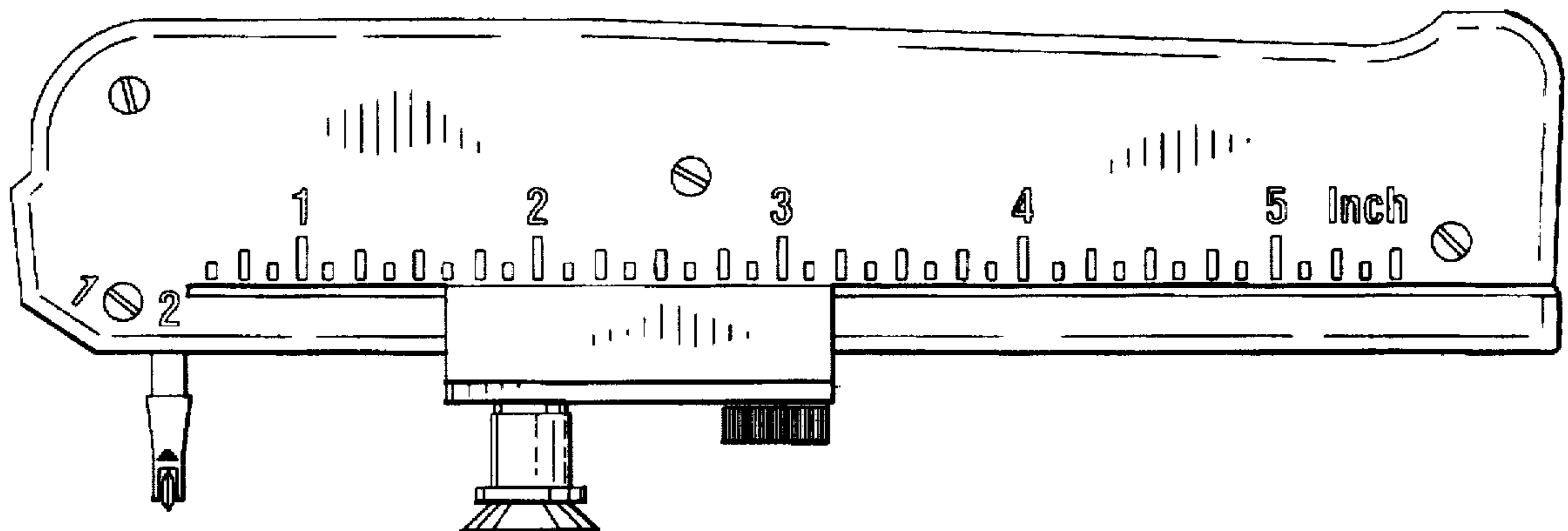
FIG. 3 is a top plan view thereof;

FIG. 4 is a bottom plan view thereof;

FIG. 5 is a front end elevational view thereof; and,

FIG. 6 is a rear end elevational view thereof.

1 Claim, 1 Drawing Sheet



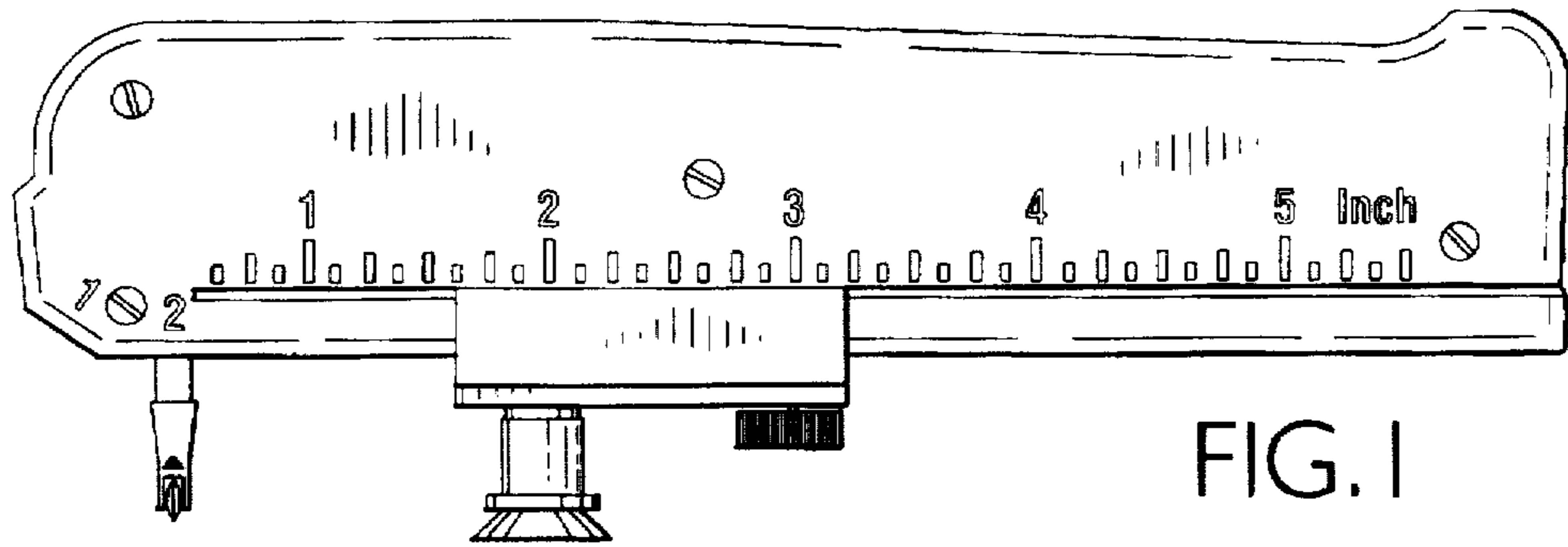


FIG. 1

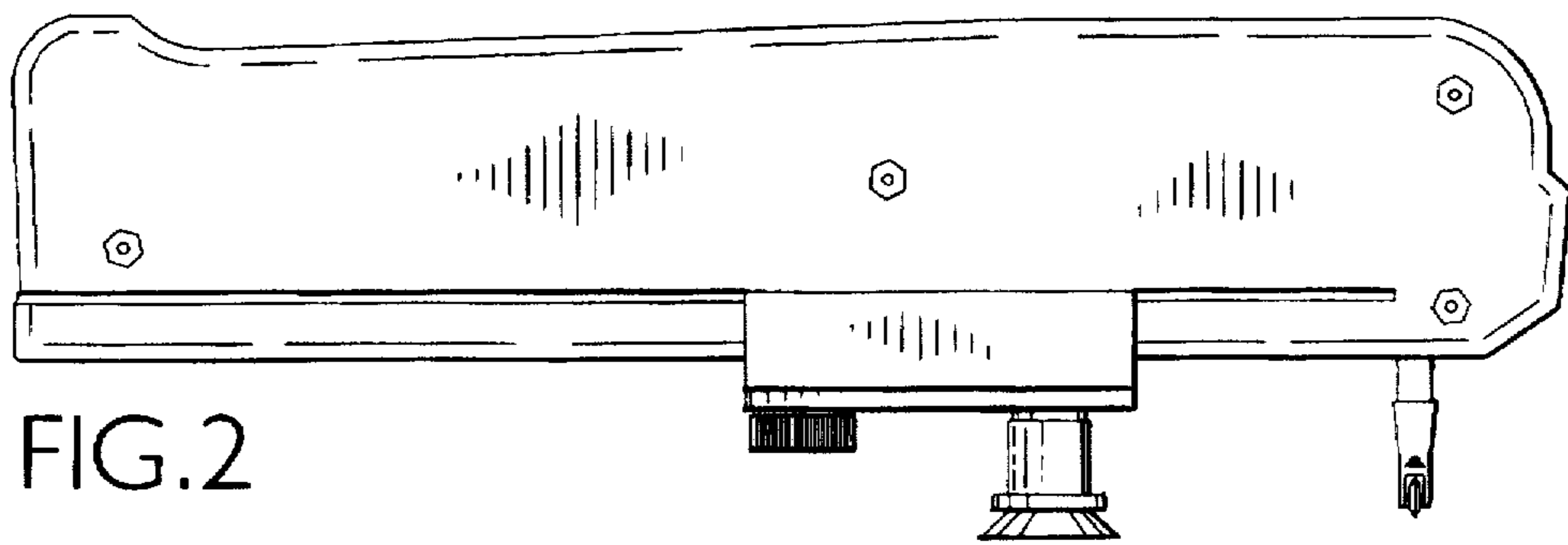


FIG. 2

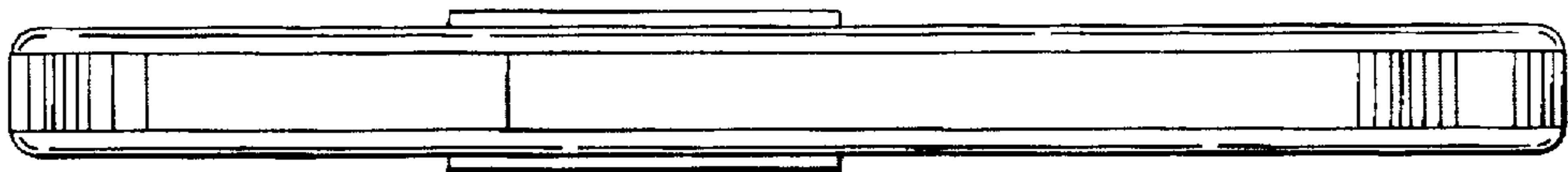


FIG. 3

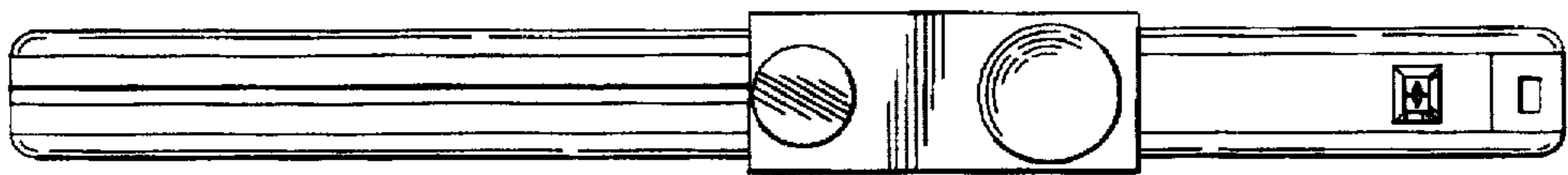


FIG. 4

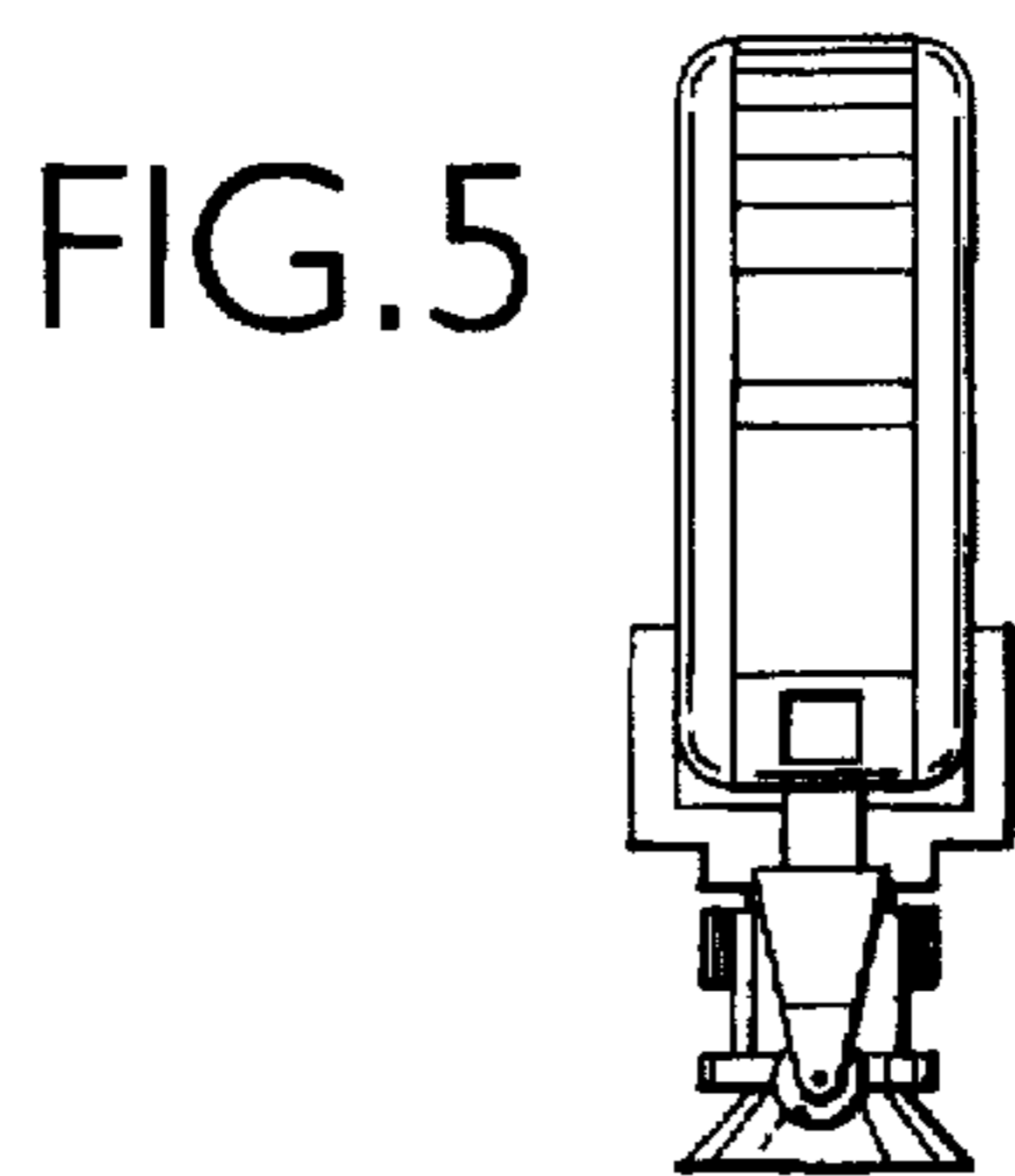


FIG. 5

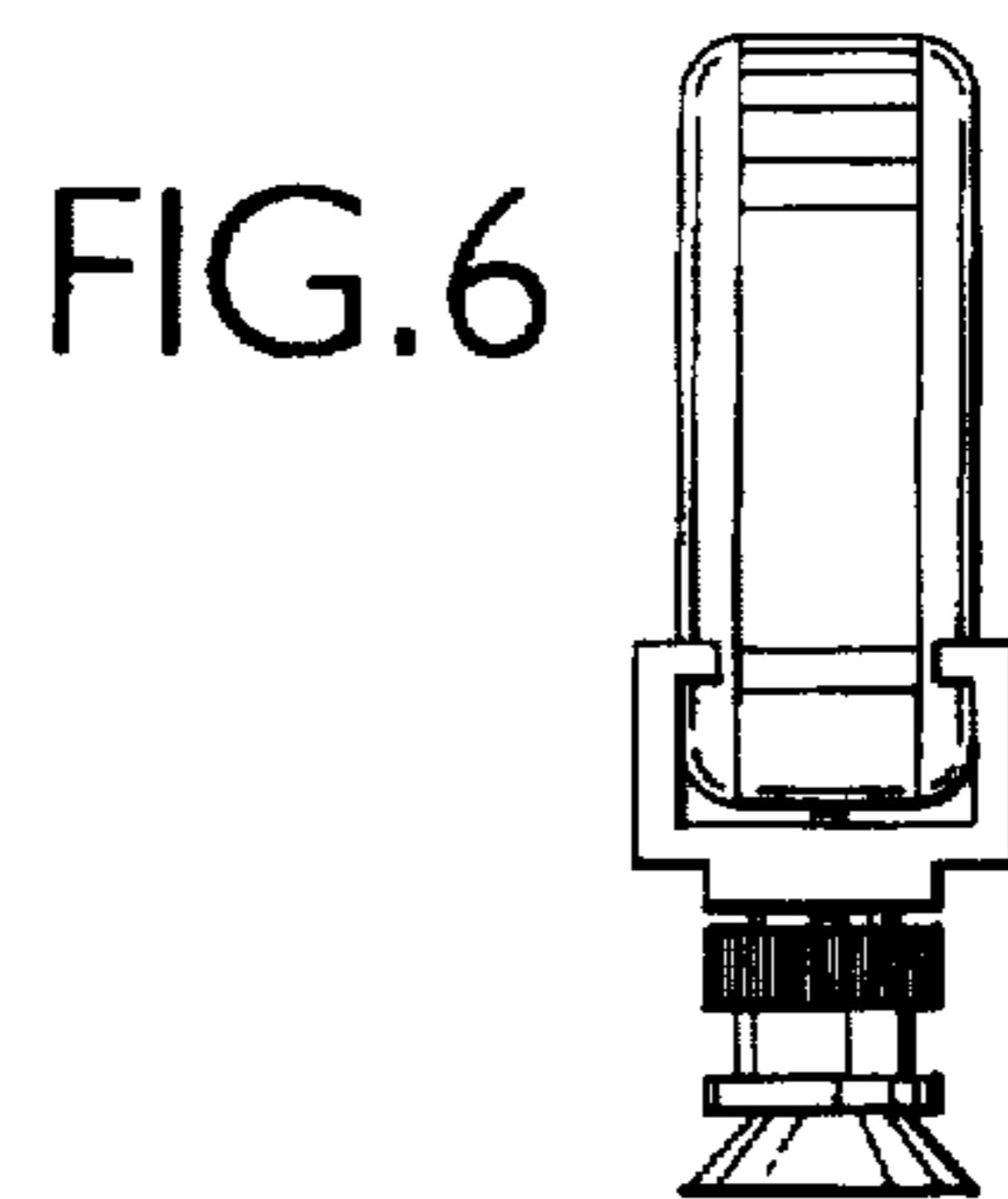


FIG. 6