



US00D393195S

# United States Patent [19]

Rose, III

[11] Patent Number: **Des. 393,195**

[45] Date of Patent: **\*\*Apr. 7, 1998**

[54] **BUCKET OPENER**

[76] Inventor: **G. B. Rose, III**, 192 Tuttle Park Dr.,  
Sherwood, Mich. 49089

[\*\*] Term: **14 Years**

[21] Appl. No.: **64,934**

[22] Filed: **Jan. 15, 1997**

[51] LOC (6) Cl. .... **08-05**

[52] U.S. Cl. .... **D8/89; D8/40**

[58] Field of Search ..... **D8/33, 40, 88,  
D8/89; 7/151, 156, 105; 81/3.09, 3.07,  
3.55**

[56] **References Cited**

**U.S. PATENT DOCUMENTS**

D. 168,586	1/1953	Oros et al. ....	D8/89
D. 244,573	6/1977	Endres et al. ....	D8/40
D. 263,198	3/1982	Boyd .....	D8/40
D. 263,673	4/1982	Sheehan .....	D8/89
D. 276,210	11/1984	Masten et al. ....	D8/40
D. 276,585	12/1984	DiFede .....	D8/40
D. 291,051	7/1987	DiFede .....	D8/40
D. 348,594	7/1994	Clark et al. ....	D8/40
D. 359,220	6/1995	Vinar .....	D8/88
4,082,016	4/1978	Vonusa .....	81/3.43

4,492,132	1/1985	Obey .....	7/151
4,658,455	4/1987	Skillern .....	7/151
5,069,090	12/1991	Clark .....	7/151
5,121,661	6/1992	Deplante et al. ....	7/151
5,222,265	6/1993	Hermansson .....	7/156

Primary Examiner—Philip S. Hyder  
Attorney, Agent, or Firm—David L. Volk

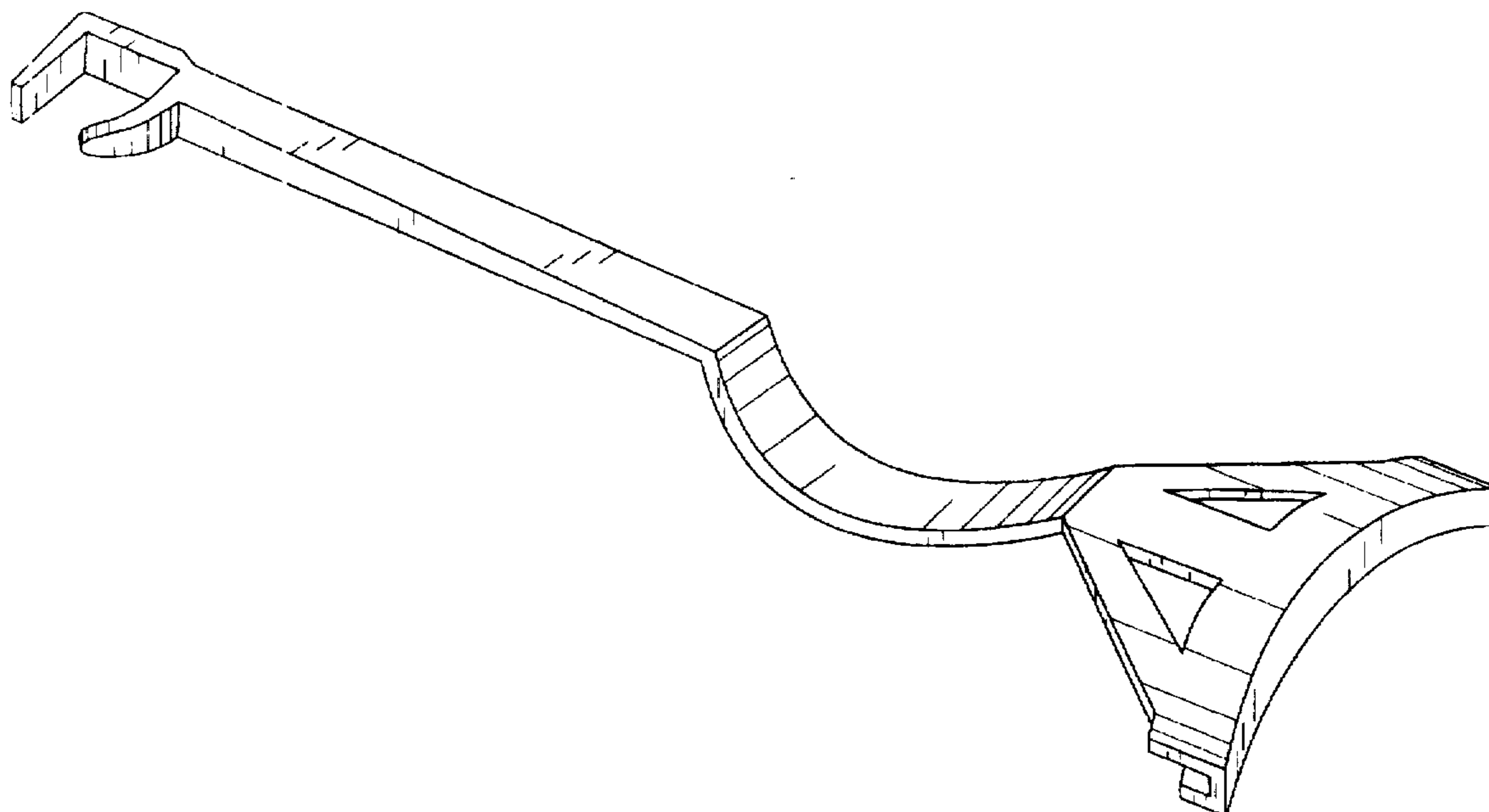
[57] **CLAIM**

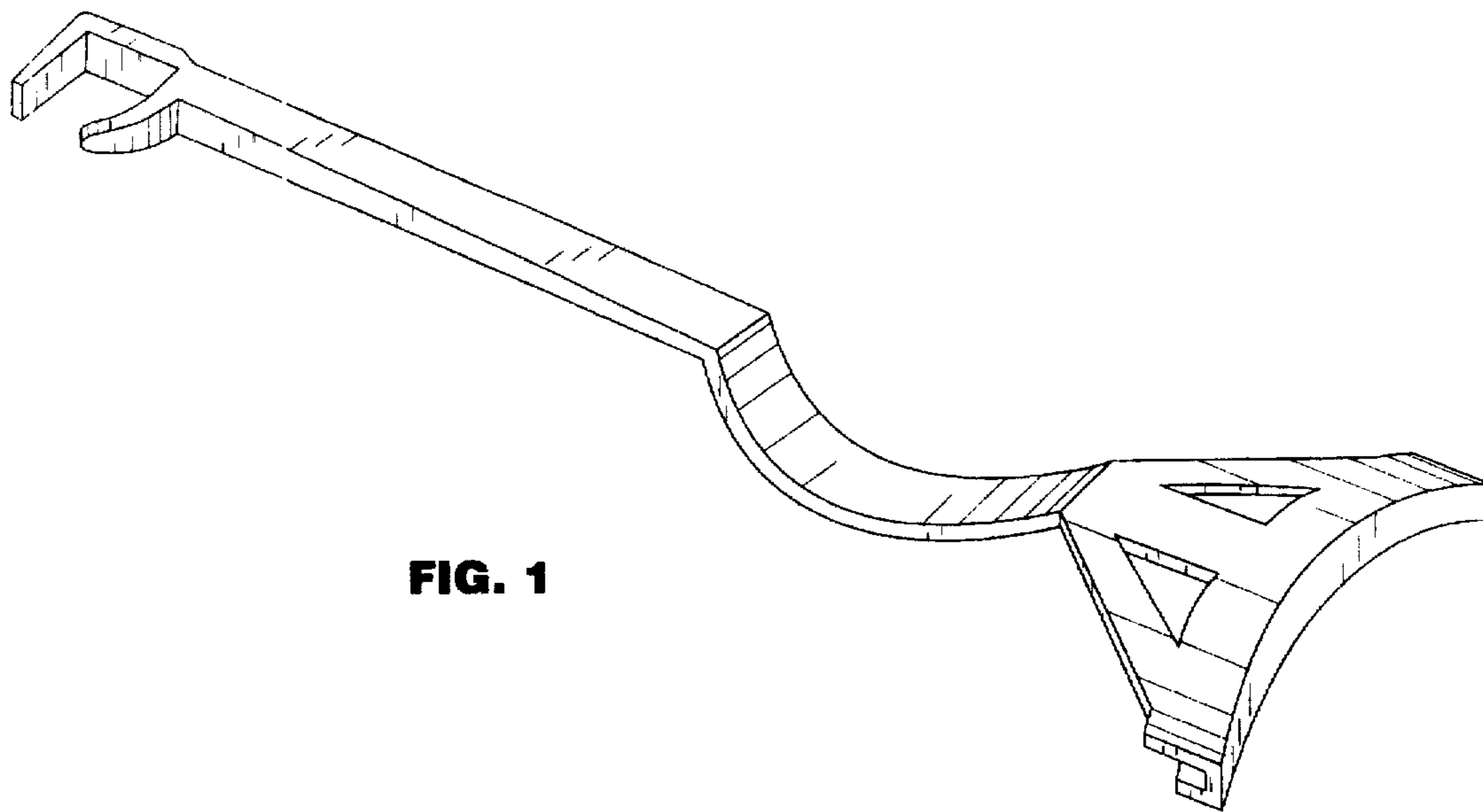
The ornamental design for a bucket opener, as shown and described.

**DESCRIPTION**

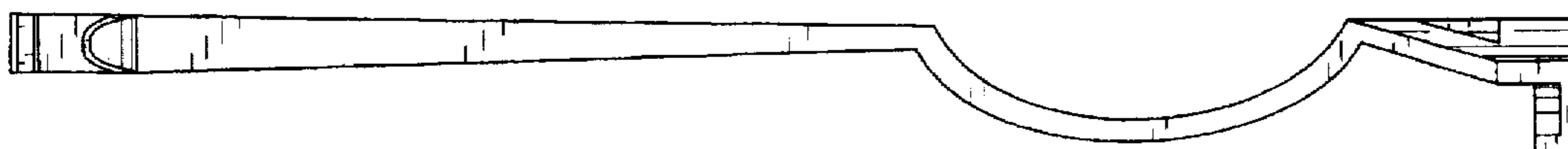
FIG. 1 is a perspective view of a bucket opener showing my new design;  
FIG. 2 is a left side elevational view thereof, the opposite side being a mirror image;  
FIG. 3 is a right side elevational view thereof;  
FIG. 4 is a top plan view thereof;  
FIG. 5 is a bottom plan view thereof;  
FIG. 6 is a front elevational view thereof;  
FIG. 7 is a rear elevational view thereof; and,  
FIG. 8 is a perspective view of the bucket opener in use. The broken line illustration in FIG. 8 shows environmental structure and forms no part of the claimed design.

**1 Claim, 3 Drawing Sheets**

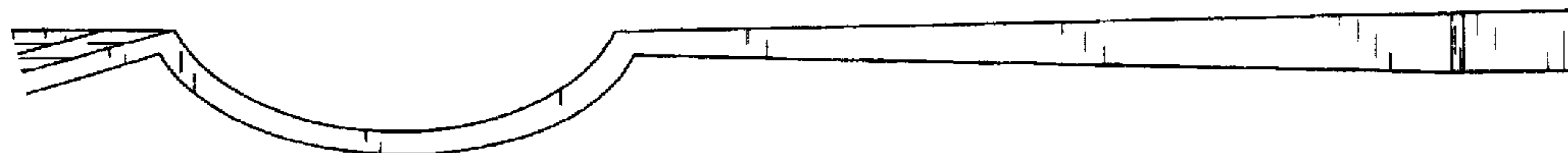




**FIG. 1**



**FIG. 2**



**FIG. 3**

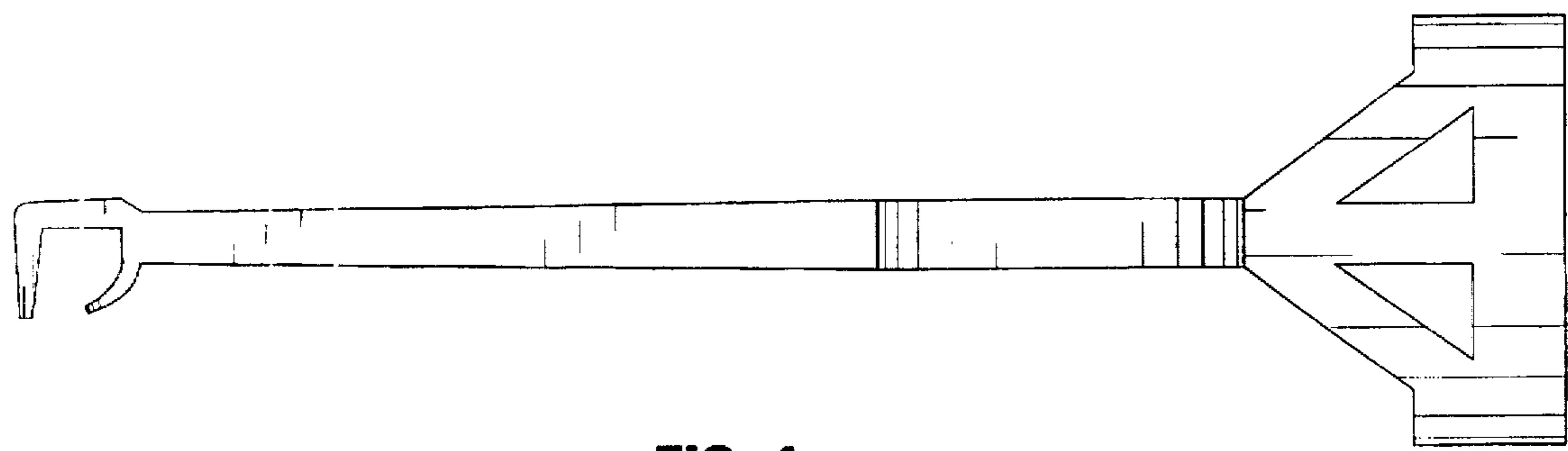


FIG. 4

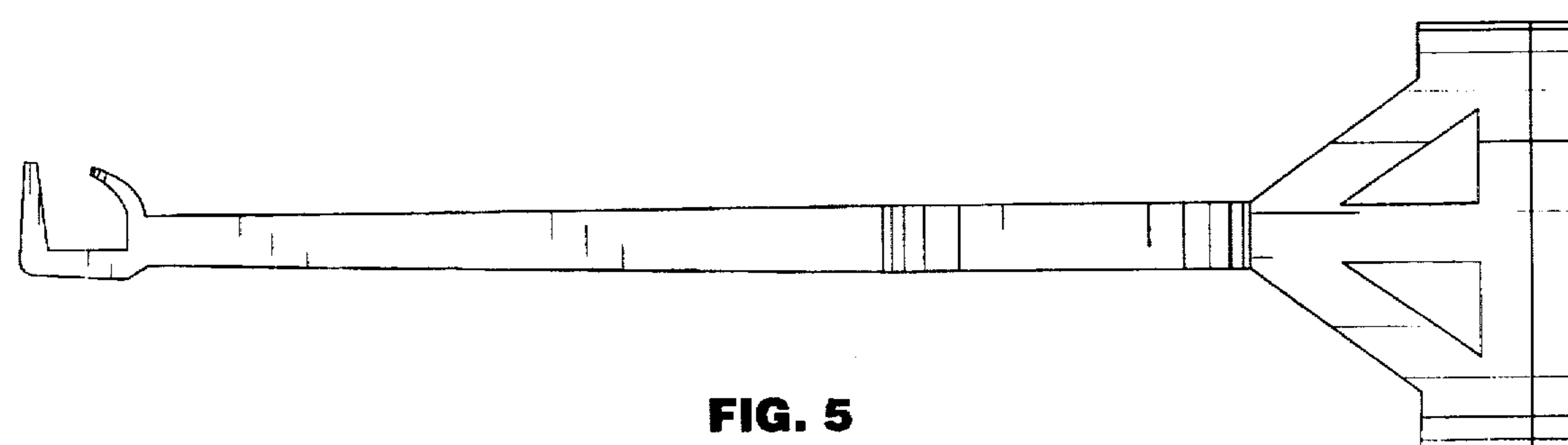
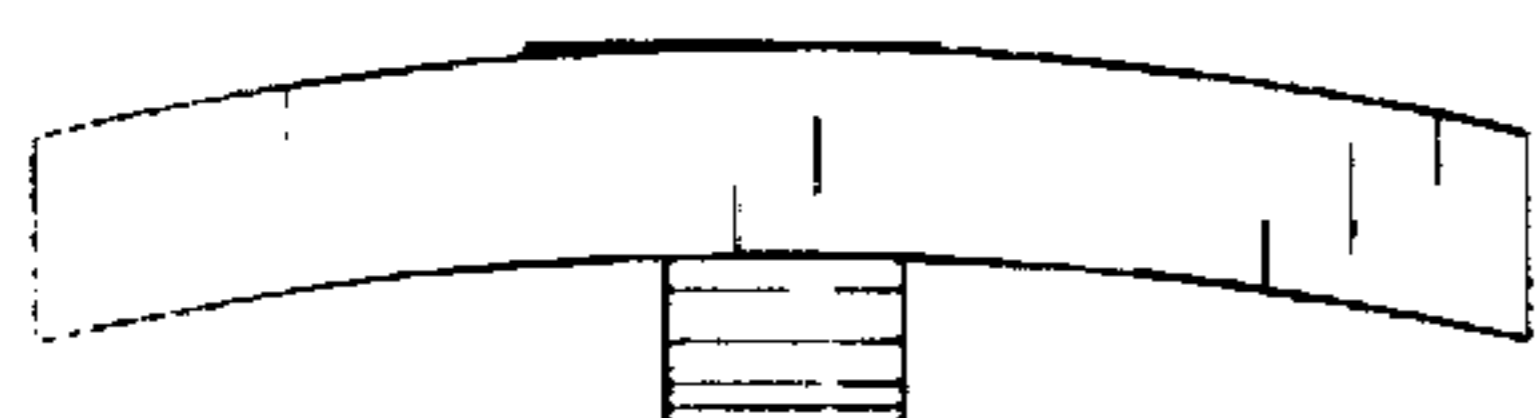
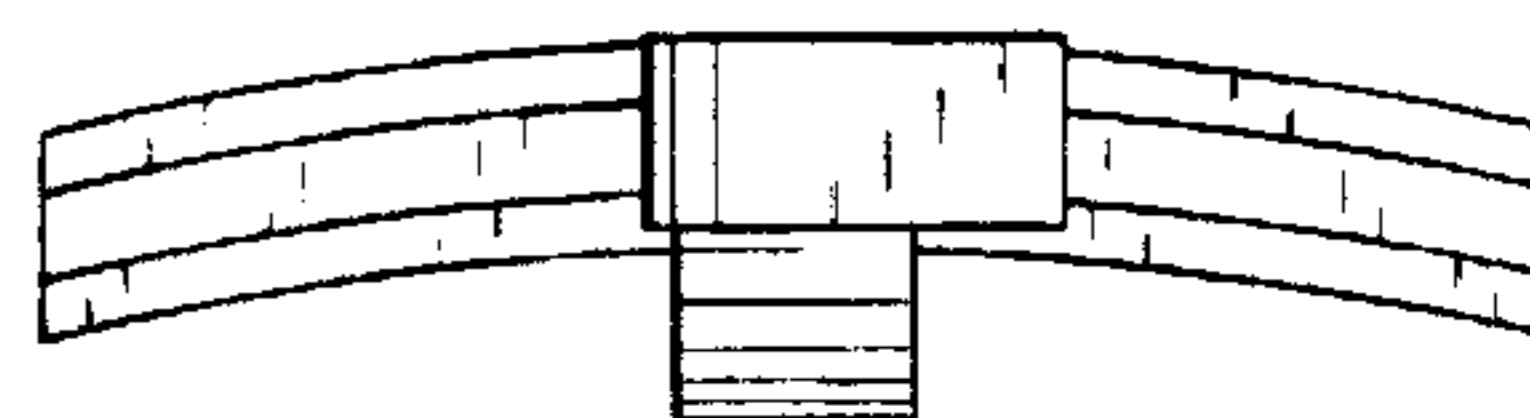


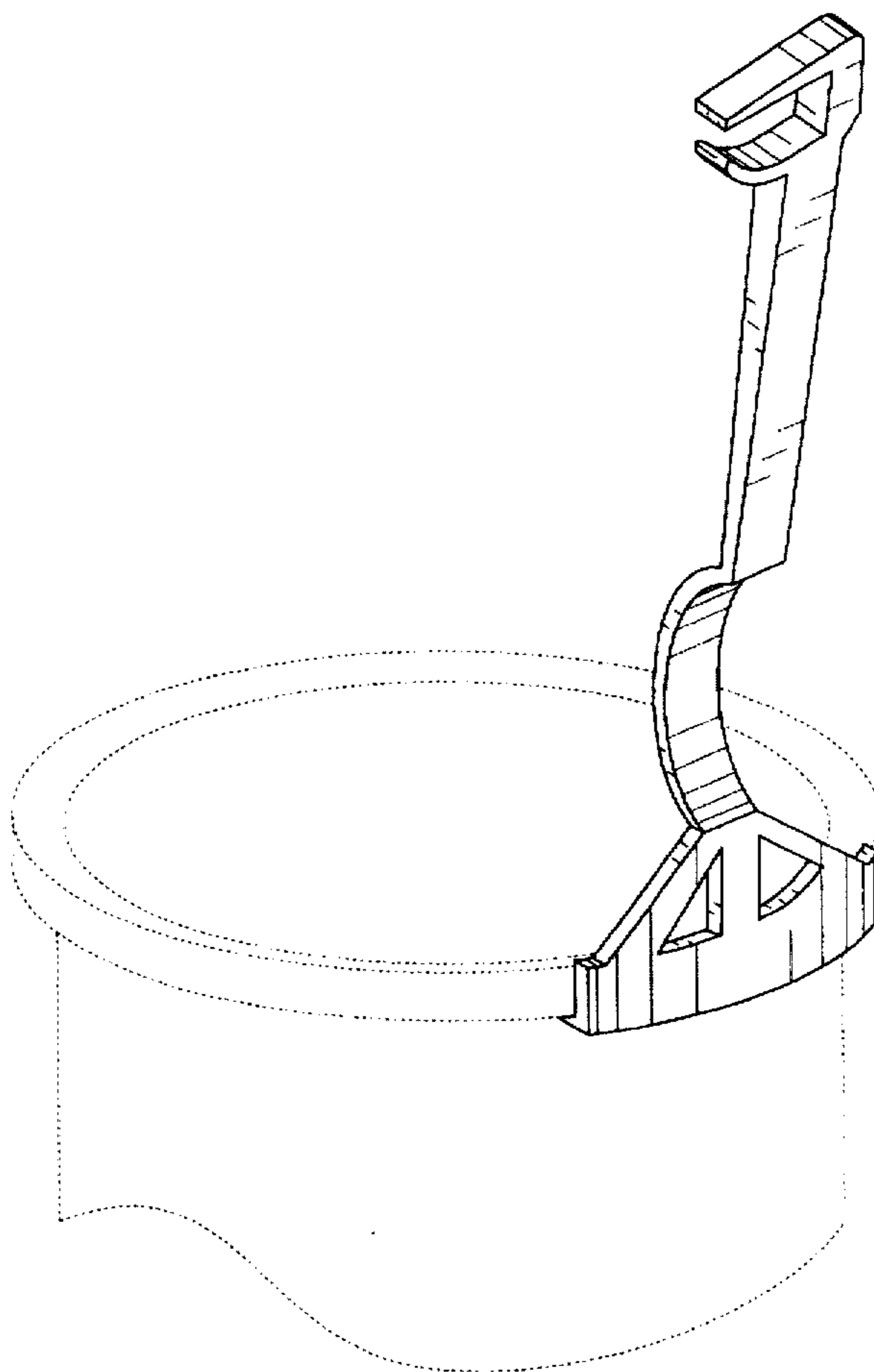
FIG. 5



**FIG. 6**



**FIG. 7**



**FIG. 8**