



US00D393180S

United States Patent [19]

VanWestrienen

[11] Patent Number: **Des. 393,180**

[45] Date of Patent: ****Apr. 7, 1998**

[54] **EASY CLEAN ELECTRIC MIXER BLADE APPARATUS**

D. 345,888 4/1994 Joss et al. D7/379
3,951,351 4/1976 Ernster et al. D7/379 X

[76] Inventor: **Donna L. VanWestrienen**, 44725 E Florida Ave. Sp 90, Hemet, Calif. 92544

Primary Examiner—Caron D. Veynar

[**] Term: **14 Years**

[57] **CLAIM**

[21] Appl. No.: **59,451**

The ornamental design for a easy clean electric mixer blade apparatus, as shown.

[22] Filed: **Sep. 11, 1996**

DESCRIPTION

[51] LOC (6) Cl. **31-00**

[52] U.S. Cl. **D7/412; D7/379**

[58] Field of Search D7/376-386, 412;
241/37.5, 92, 169.1, 282.1, 282.2, 101.1;
366/98, 343, 241, 243, 244, 245, 247, 248,
254, 279, 342

FIG. 1 is a front plan view of the easy clean electric mixer blade apparatus of the present invention;

FIG. 2 is a rear plan view of the easy clean electric mixer blade apparatus of FIG. 1;

FIG. 3 is a left side plan view of the easy clean electric mixer blade apparatus of FIG. 1;

FIG. 4 is a right side plan view of the easy clean electric mixer blade apparatus of FIG. 1;

FIG. 5 is a top plan view of the easy clean electric mixer blade apparatus of FIG. 1; and,

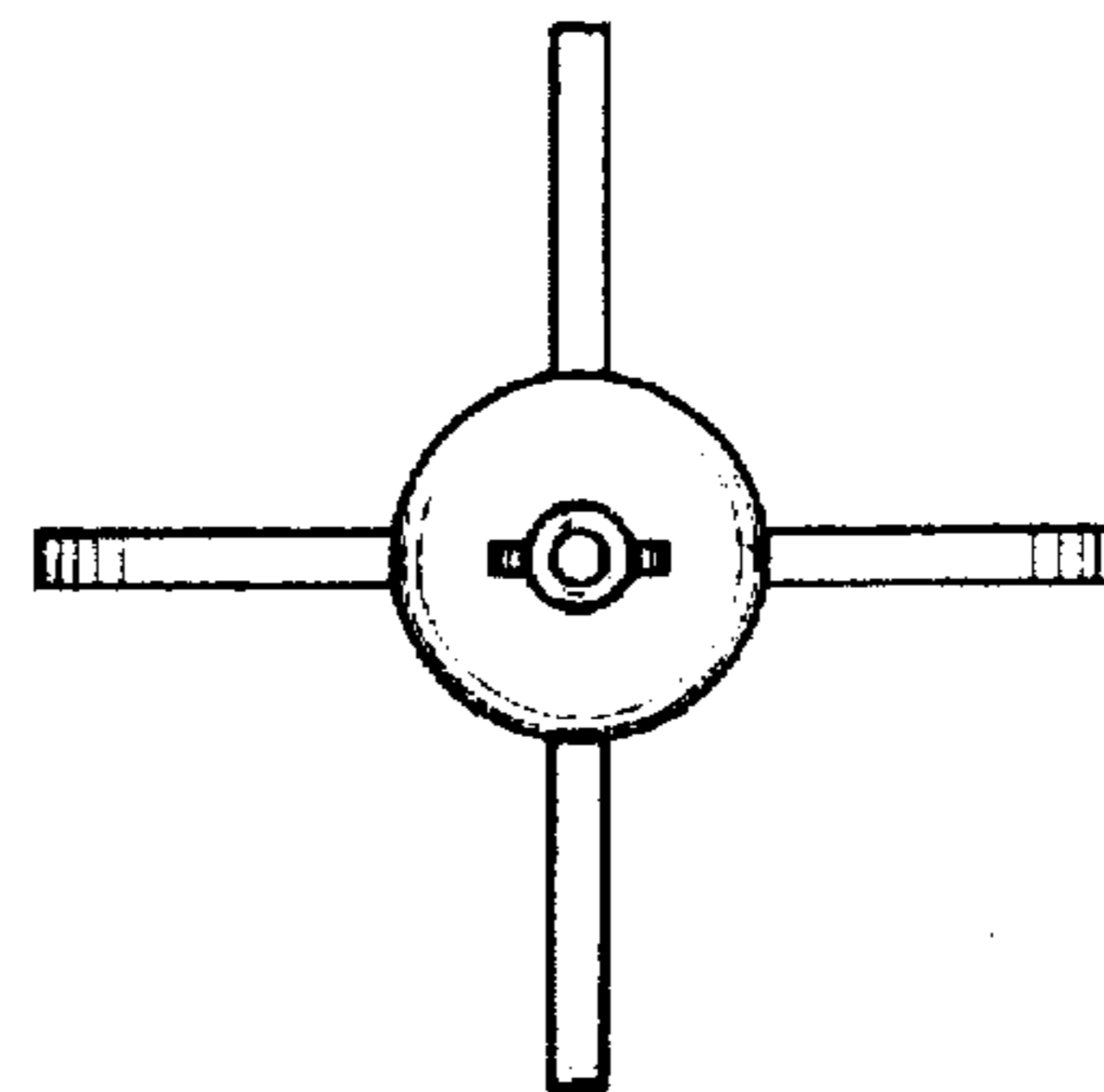
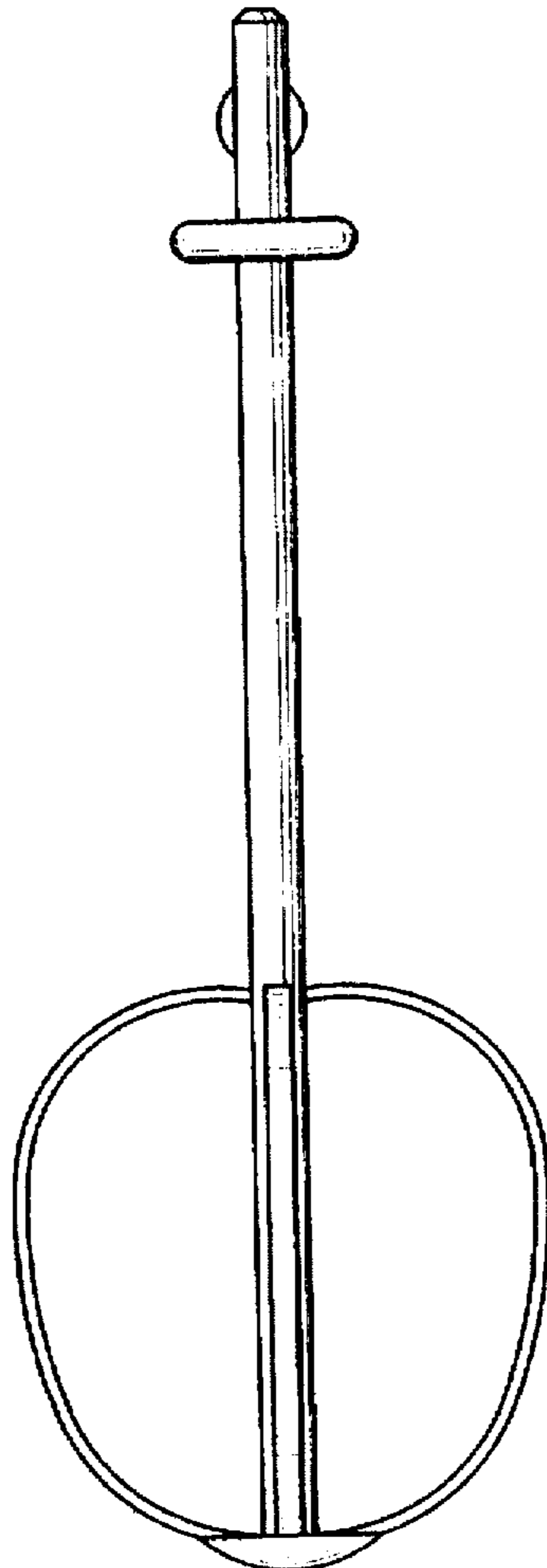
FIG. 6 is a bottom plan view of the easy clean electric mixer blade apparatus of FIG. 1.

[56] References Cited

U.S. PATENT DOCUMENTS

D. 170,884 11/1953 Morgan D7/379
D. 178,266 7/1956 Swann D7/379
D. 221,792 9/1971 Moffatt et al. D7/412
D. 337,667 7/1993 Lovett D7/379

1 Claim, 3 Drawing Sheets



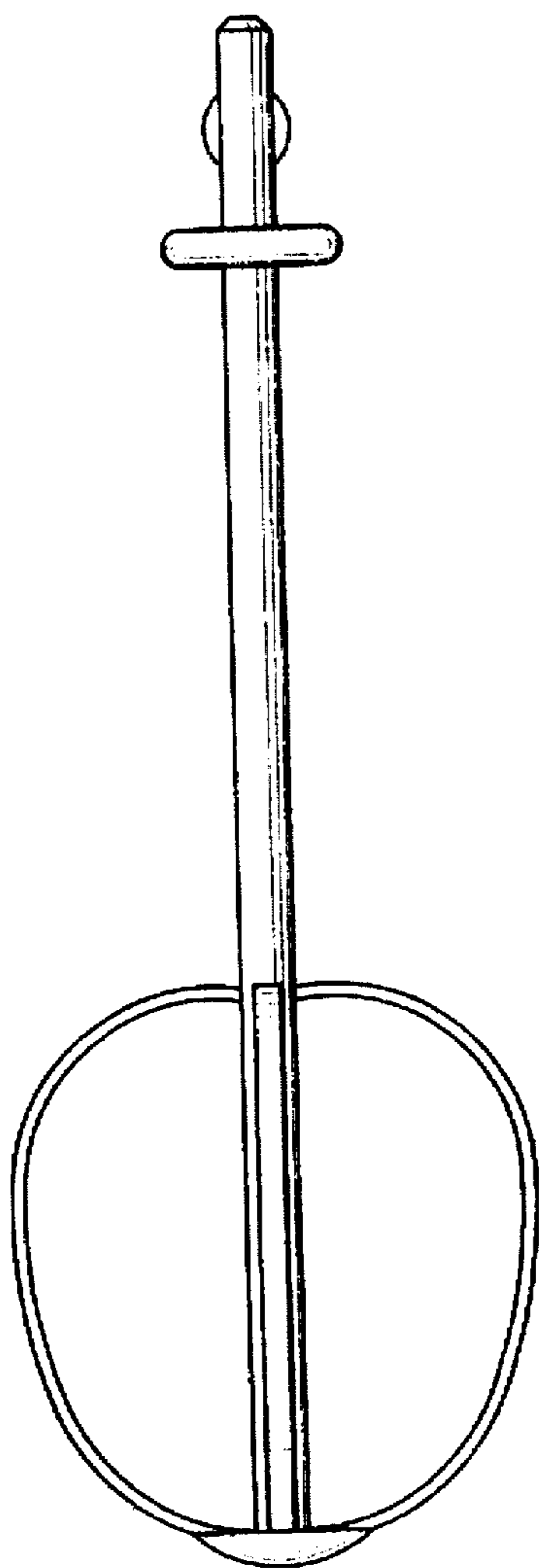


Fig. 1

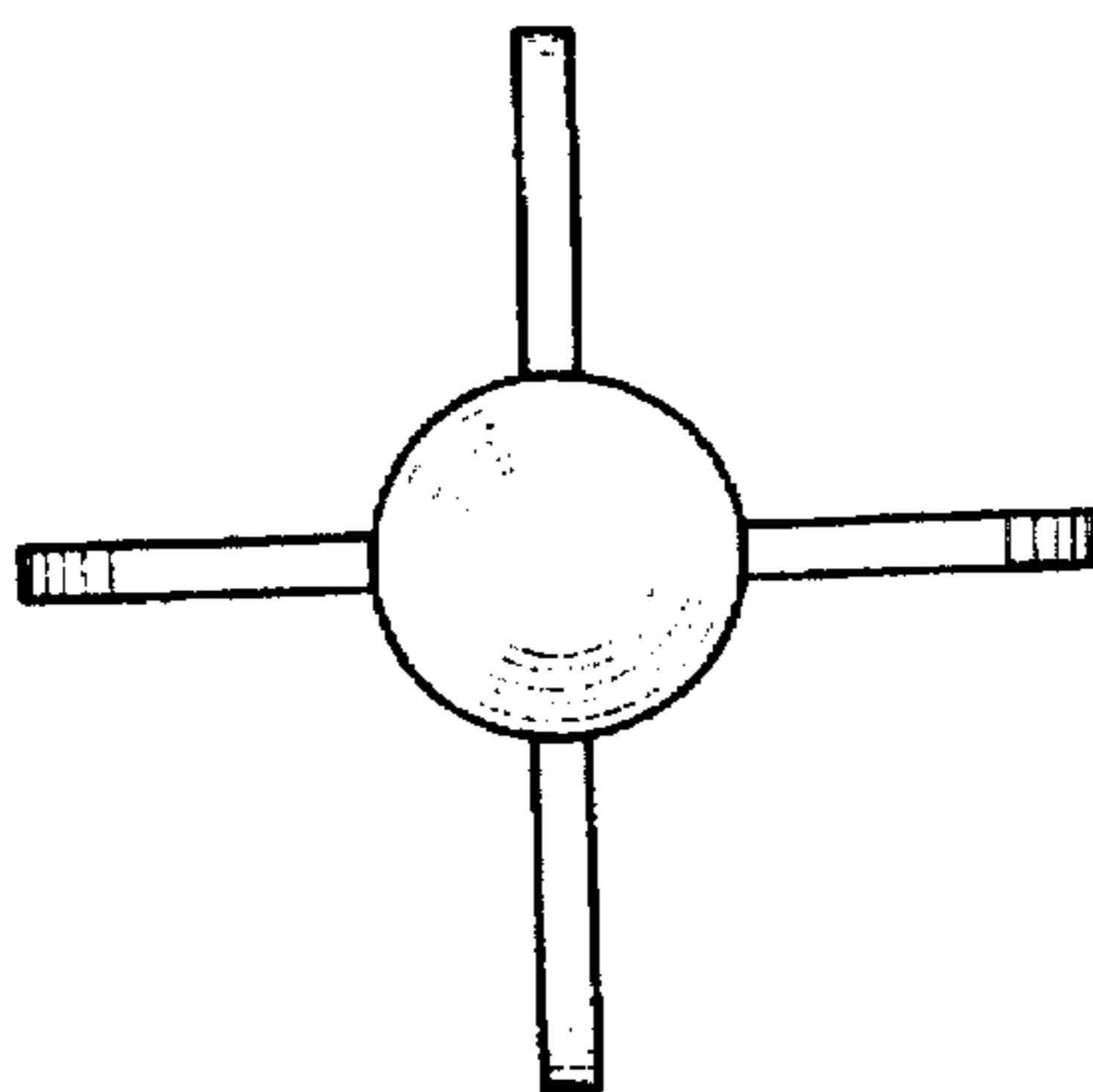


Fig. 6

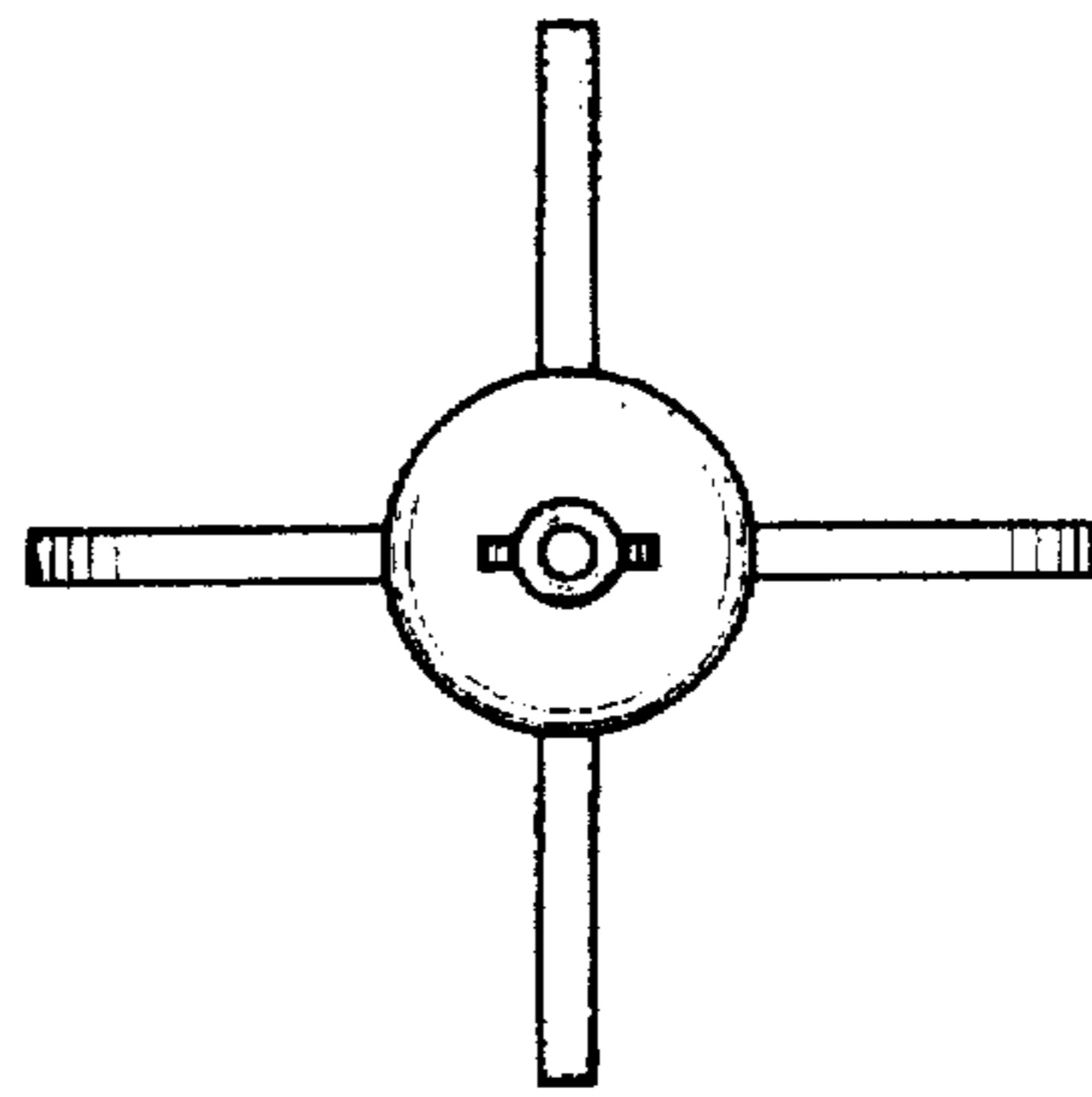


Fig. 5

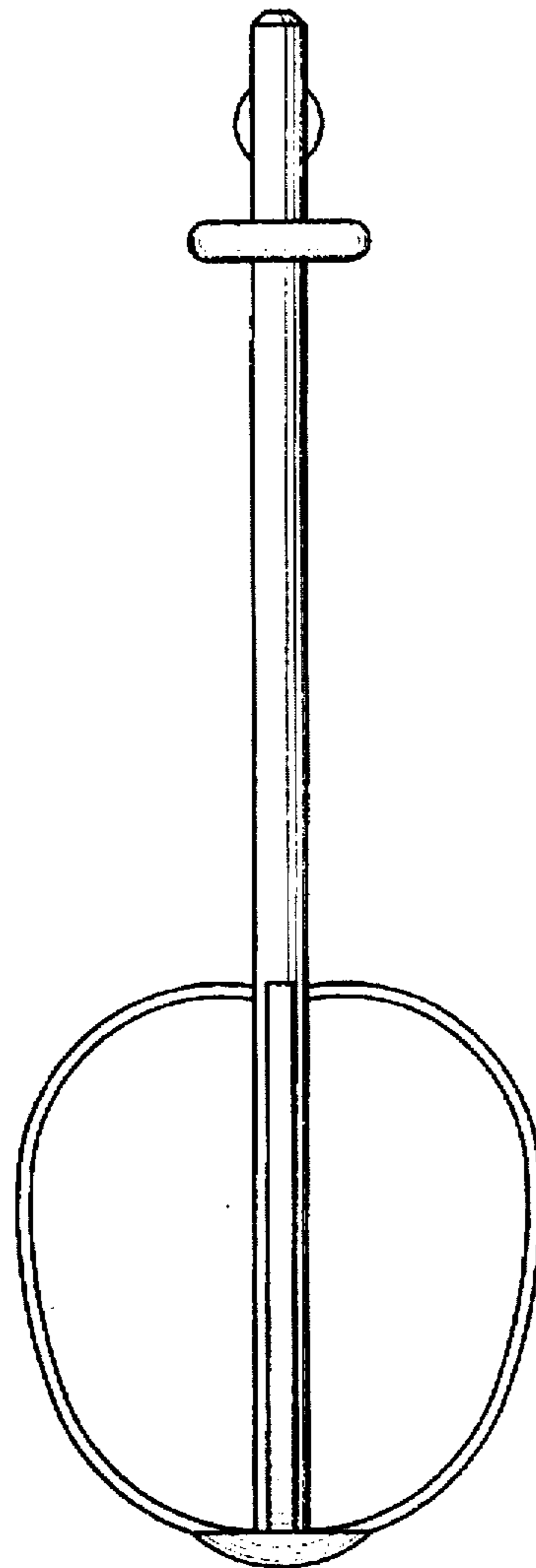


Fig. 2

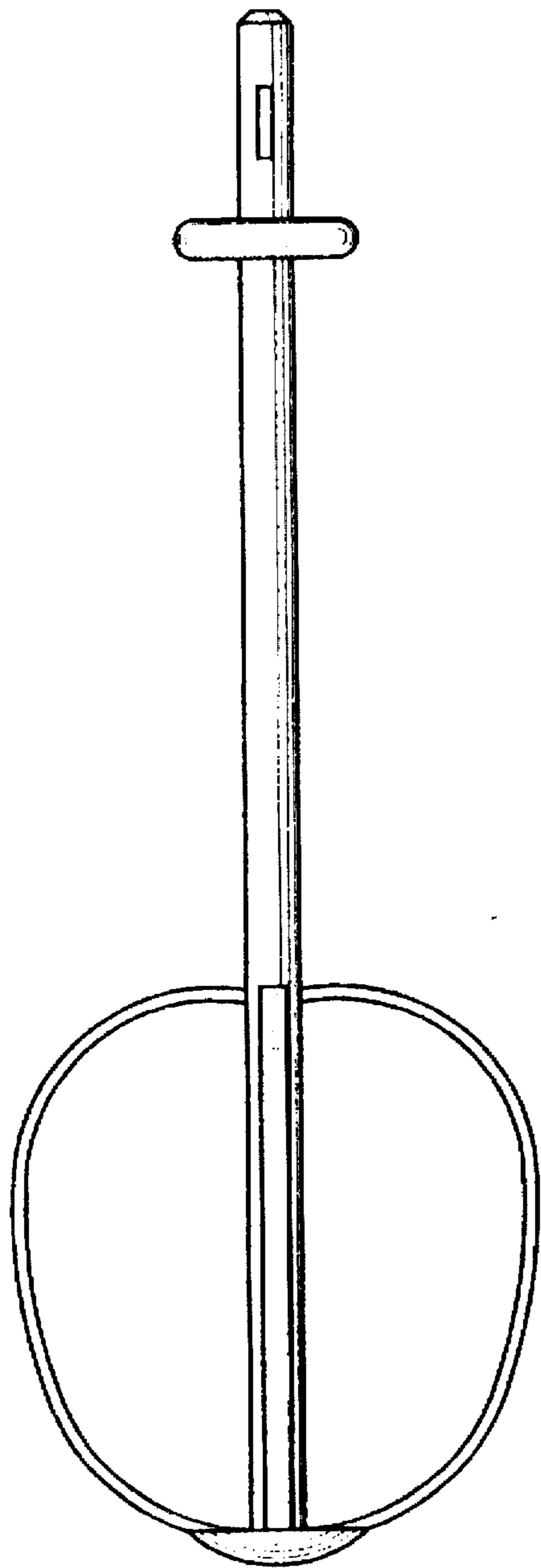


Fig. 3

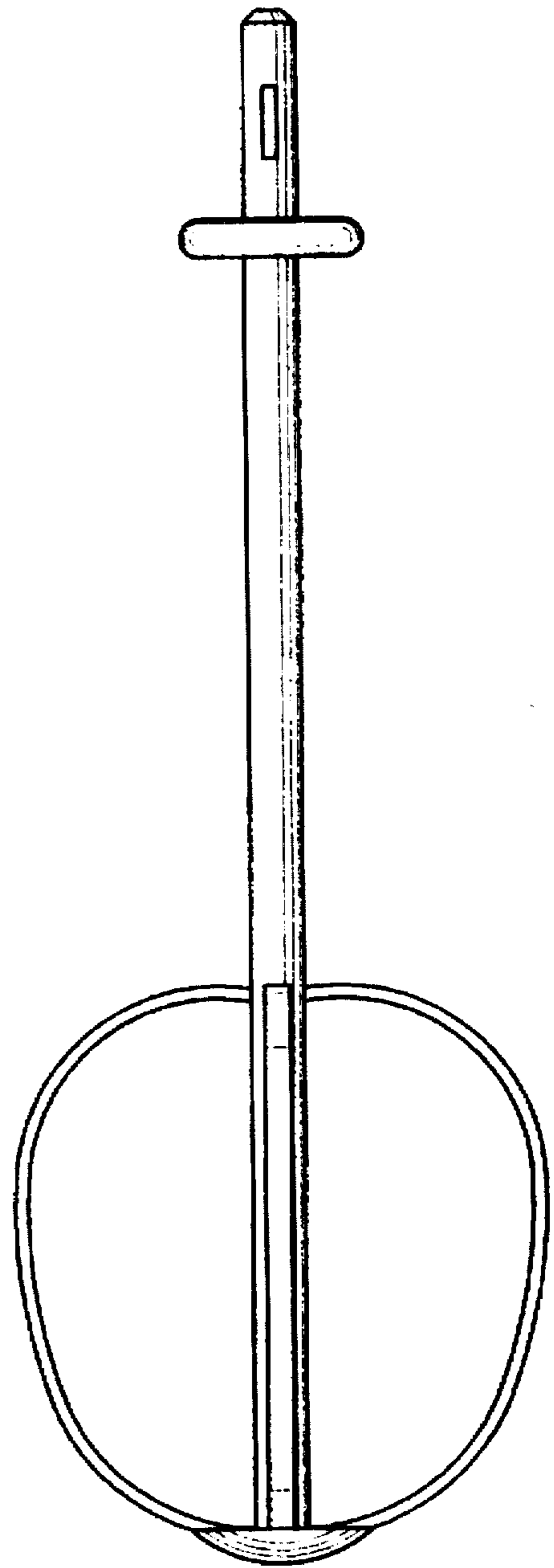


Fig. 4