



US00D393172S

United States Patent [19]

Brady

[11] Patent Number: Des. 393,172

[45] Date of Patent: **Apr. 7, 1998

[54] CUSHION FOR USE IN A CHILD'S SEAT OF A SHOPPING CART

4,666,207 5/1987 Quartano 297/219.12
5,330,250 7/1994 Reyes 297/256.17

[76] Inventor: Carol Anne Brady, 20535 S. Tamiami Trail, Estero, Fla. 33928-2829

Primary Examiner—Lisa Lichtenstein

[**] Term: 14 Years

[57] CLAIM

[21] Appl. No.: 47,549

The ornamental design for a cushion for use in a child's seat of a shopping cart, as shown and described.

[22] Filed: Dec. 7, 1995

DESCRIPTION

[51] LOC (6) CL 06-09

[52] U.S. Cl. D6/601; D6/596; 280/33.992

[58] Field of Search D6/595, 596, 601, D6/333; 297/256.17, 219.12; 5/636, 655, 630; 280/33.993, 33.992

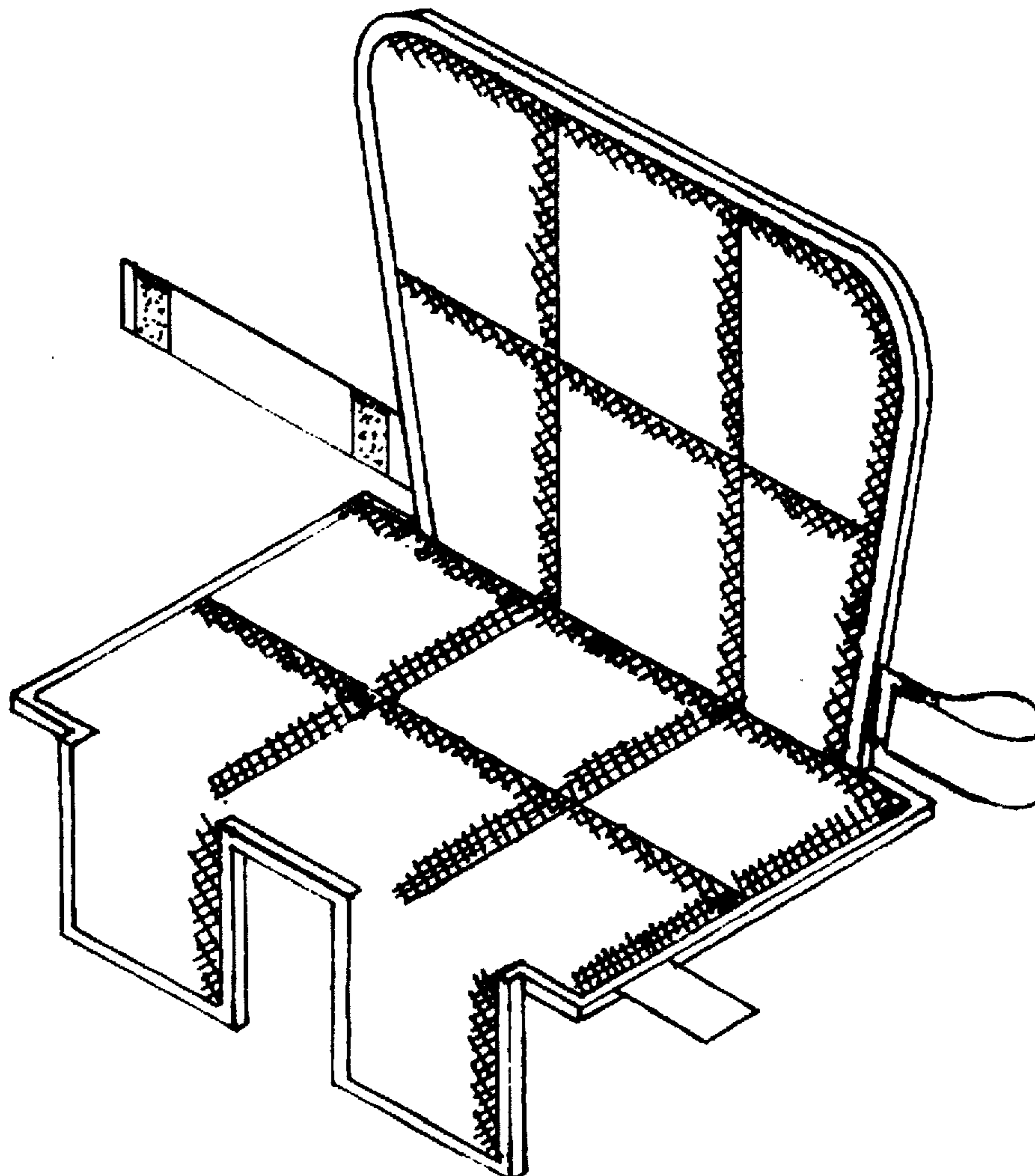
FIG. 1 is a front view of a cushion for use in a child seat of a shopping cart, showing my new design; FIG. 2 is a rear view thereof; FIG. 3 is a right side view of the cushion shown as applied to a child's seat of a shopping cart; FIG. 4 is a top plan view of FIG. 3; FIG. 5 is a left side view of FIG. 3; and, FIG. 6 is a perspective view of FIG. 3. The cross-hatching represents conventional fabric and is understood to extend uniformly throughout the areas represented.

[56] References Cited

U.S. PATENT DOCUMENTS

D. 289,123 4/1987 Tennen D6/596
4,416,462 11/1983 Thompson 297/256.17
4,655,502 4/1987 Houllis D6/601

1 Claim, 1 Drawing Sheet



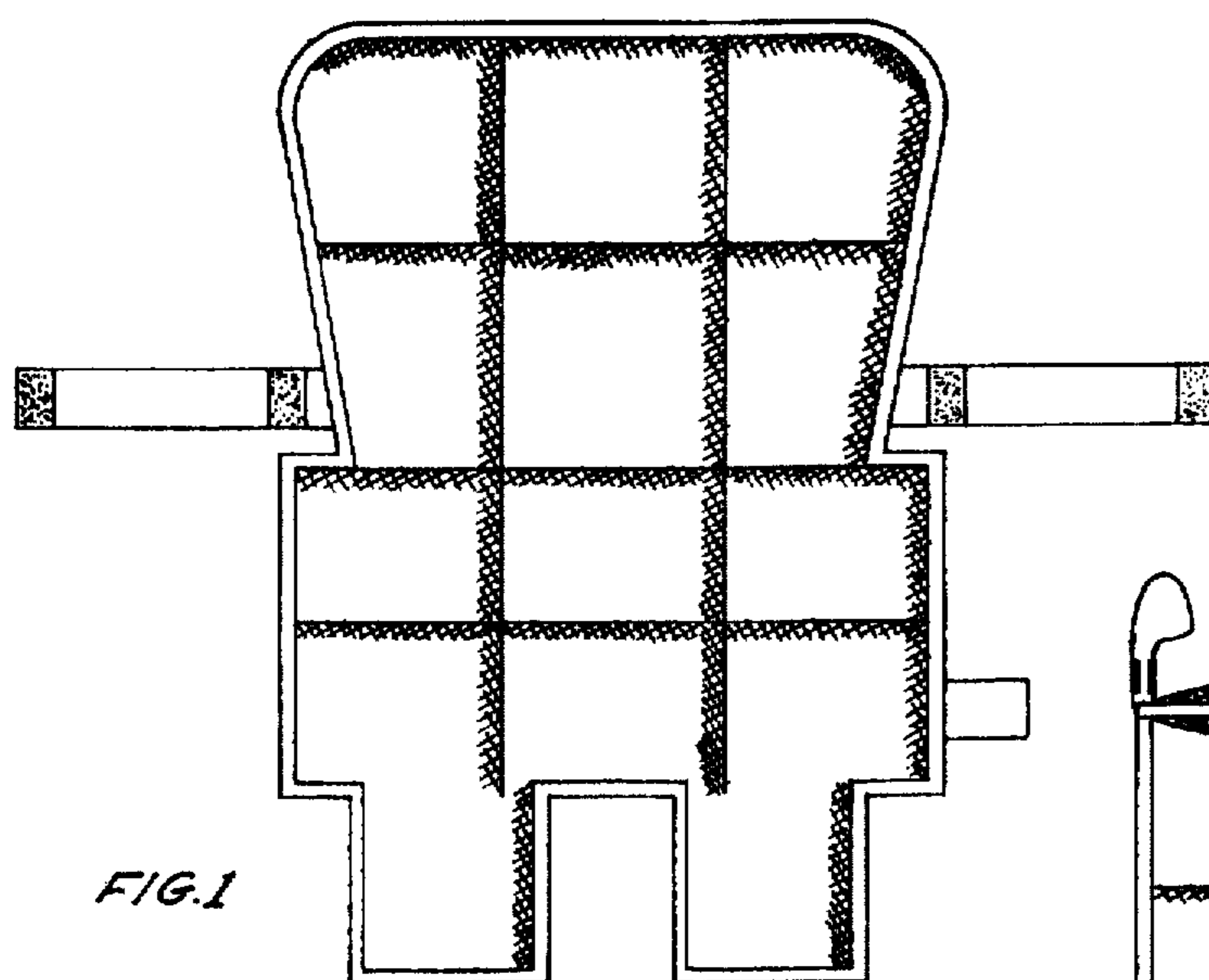


FIG. 1

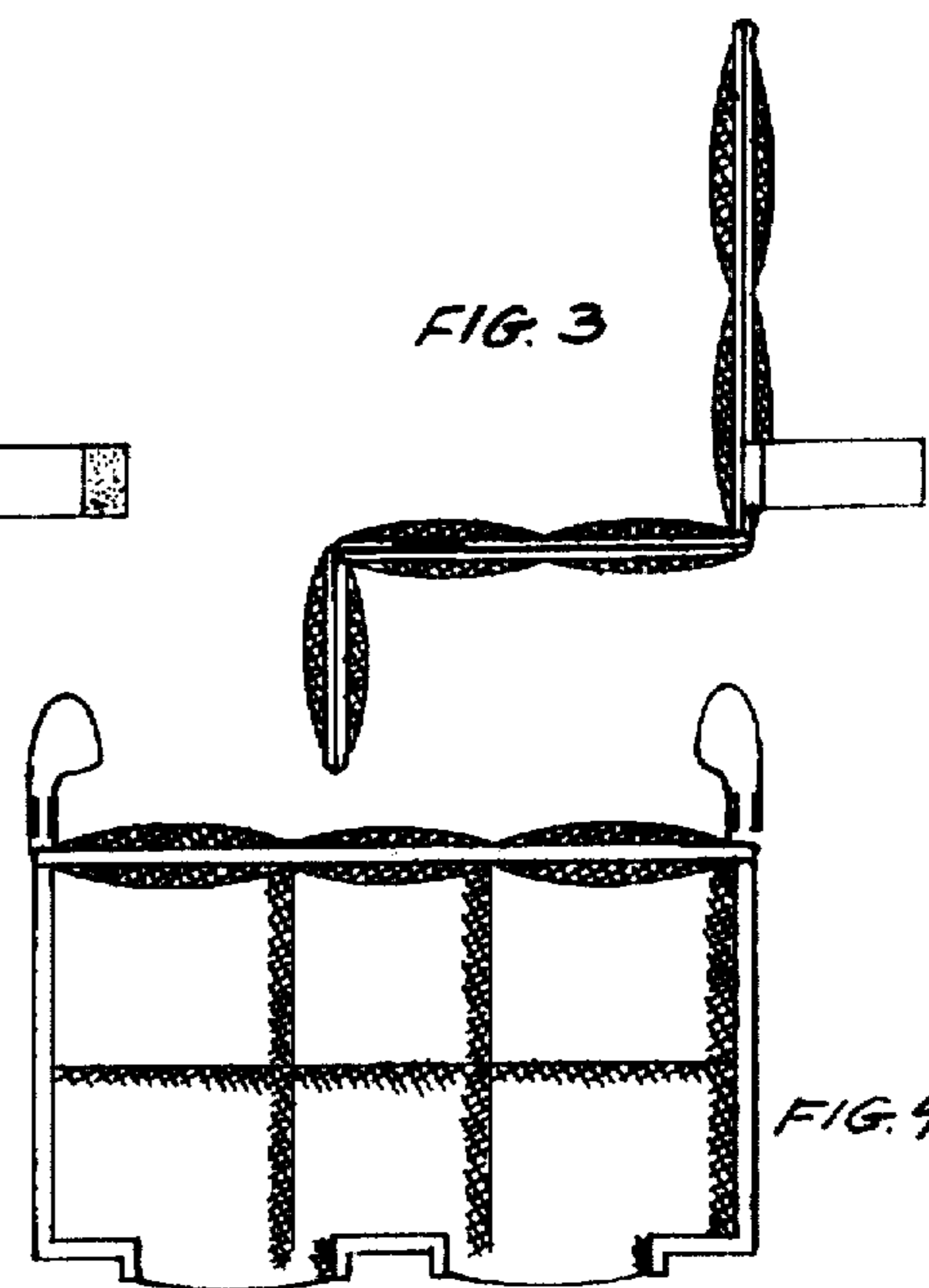


FIG. 3

FIG. 4

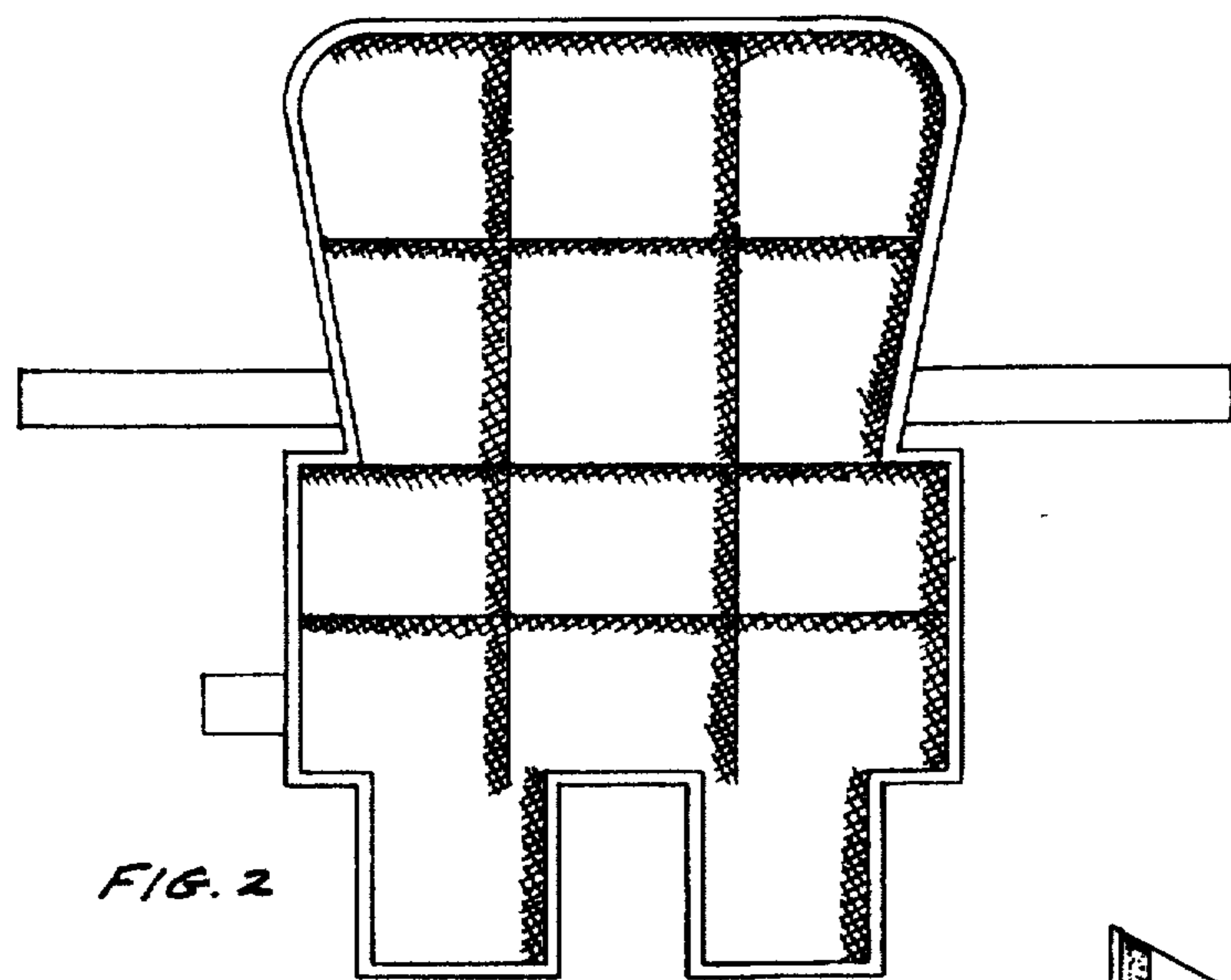


FIG. 2

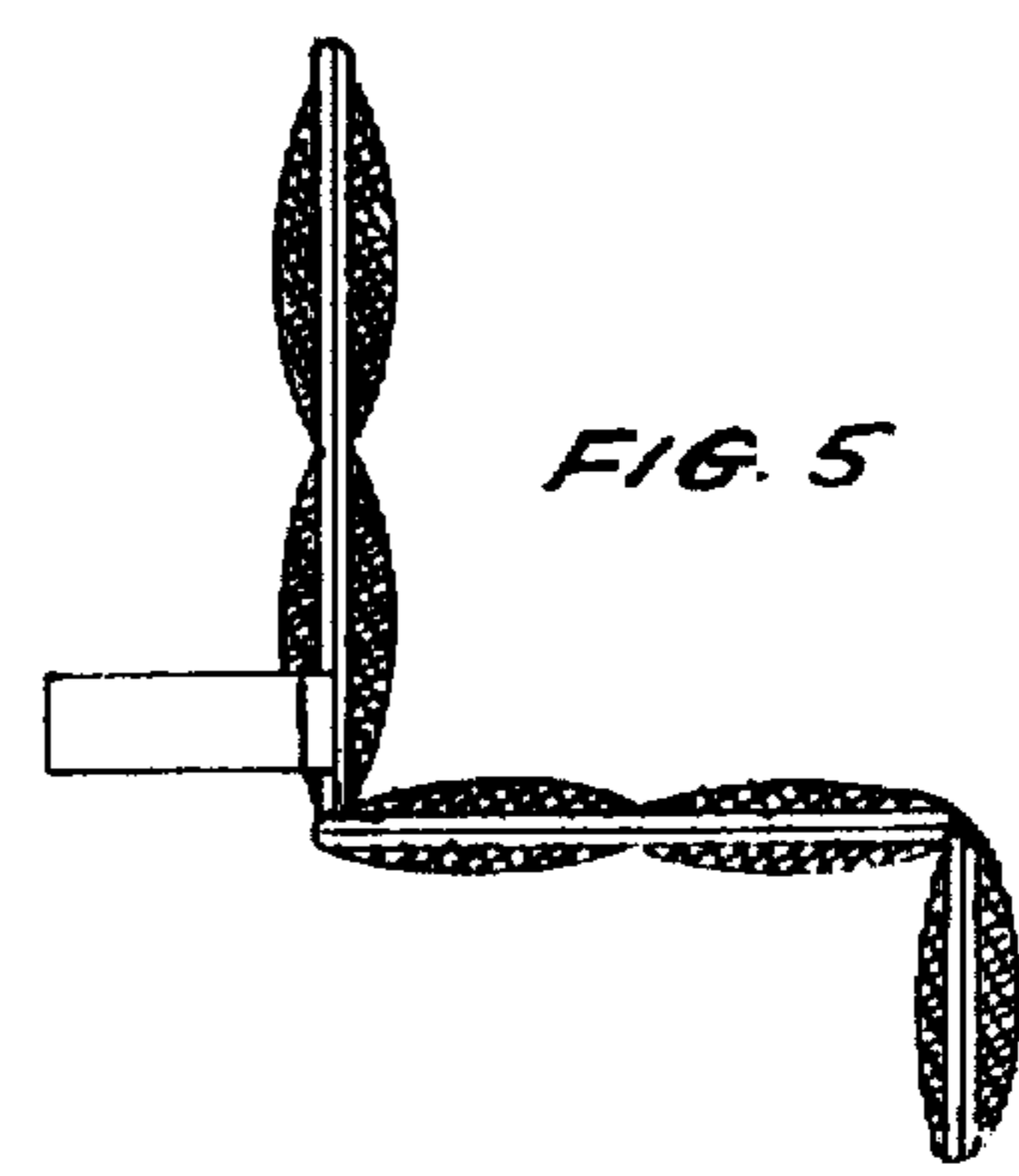


FIG. 5

REVISED DRAWINGS OF
APPLICATION
SERIAL NO. 29/047,549
ART UNIT 2901
FILING DATE 12/07/95
EXAMINER L. LICHENSTEIN

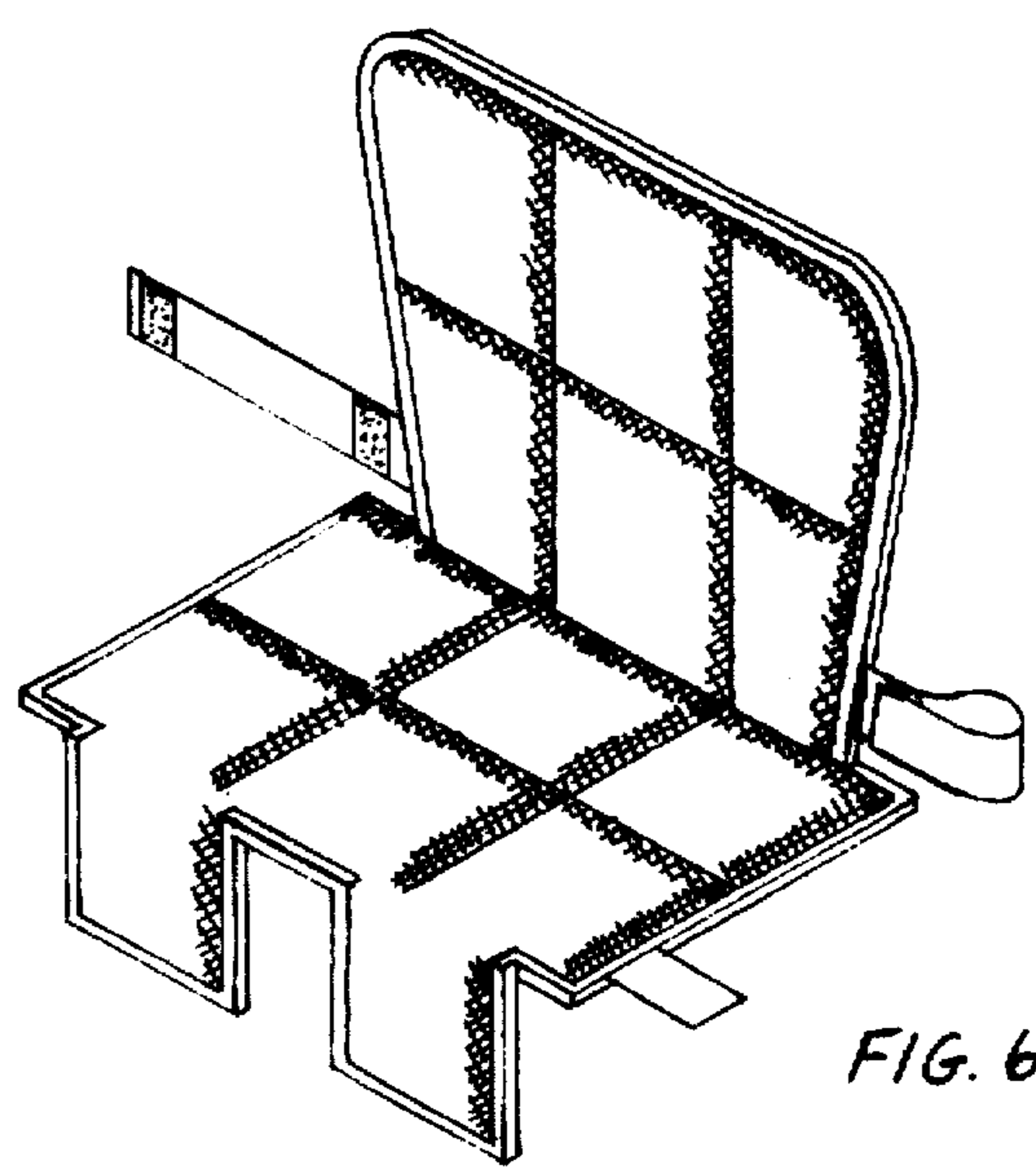


FIG. 6