

US00D393171S

United States Patent [19]
St-Pierre et al.

[11] **Patent Number:** **Des. 393,171**
[45] **Date of Patent:** ****Apr. 7, 1998**

[54] **CIGARETTE PACK DISPLAY UNIT**

[75] **Inventors:** **Yvon St-Pierre; Andre Dubeau; Roch Cyr**, all of Montreal, Canada

[73] **Assignee:** **Imperial Tobacco Limited**, Quebec, Canada

[**] **Term:** **14 Years**

[21] **Appl. No.:** **59,876**

[22] **Filed:** **Sep. 17, 1996**

[30] **Foreign Application Priority Data**

Jun. 20, 1996 [CA] Canada 1996-1427

[51] **LOC (6) Cl.** **06-04**

[52] **U.S. Cl.** **D6/571; D6/574**

[58] **Field of Search** **D6/570, 571, 567, D6/574, 553, 512; 312/198; 108/59, 60, 92; 211/59.2, 86, 87, 88, 90, 134, 135, 187, 188; D7/590, 601; D20/42**

[56] **References Cited**

U.S. PATENT DOCUMENTS

- 83,798 3/1868 Gibson .
- 142,952 11/1873 Ford .
- 148,607 2/1874 Broadbent .
- D. 174,377 4/1955 Dossman D6/571
- 177,737 5/1876 King et al. .
- D. 178,515 8/1956 Hanson D6/571
- D. 195,492 6/1963 Benne D6/570
- 234,172 1/1880 Ranney .

- 256,199 8/1882 Burke et al. .
- 267,383 12/1882 Liptak et al. .
- D. 274,487 7/1984 Eads et al. D6/553 X
- 279,638 7/1883 Kellogg .
- 281,477 11/1883 Neff .
- D. 323,766 2/1992 Robbins et al. D6/574 X
- D. 354,646 1/1995 Weinstein D6/571 X
- 358,049 5/1887 Wilson .
- 2,900,667 8/1959 Congenecker 211/135 X
- 4,121,377 10/1978 Allen et al. 108/59 X
- 5,114,022 5/1992 Rood 108/92 X

FOREIGN PATENT DOCUMENTS

- 46362 12/1979 Canada .
- 50738 11/1983 Canada .

Primary Examiner—Pamela J. Burgess
Attorney, Agent, or Firm—Beveridge, DeGrandi, Weilacher & Young LLP

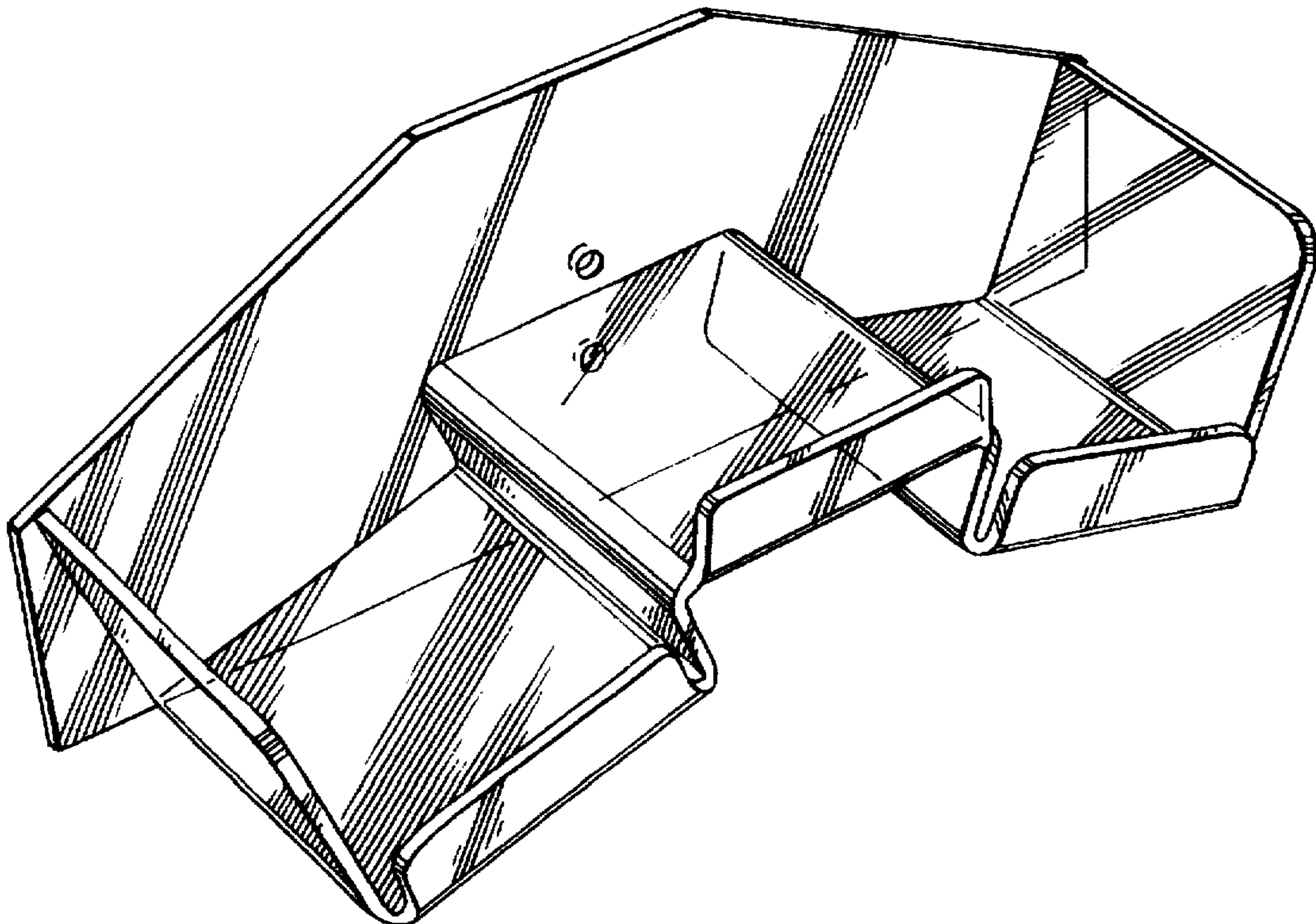
[57] **CLAIM**

The ornamental design for a cigarette pack display unit, as shown and described.

DESCRIPTION

FIG. 1 is a top perspective view from the front and one side of the cigarette pack display unit of the invention; FIG. 2 is a front elevational view thereof; FIG. 3 is a rear elevational view thereof; FIG. 4 is a plan view thereof; FIG. 5 is an underneath plan view thereof; and, FIG. 6 is a right side elevational view thereof, the left side elevational view being a mirror image thereof.

1 Claim, 3 Drawing Sheets



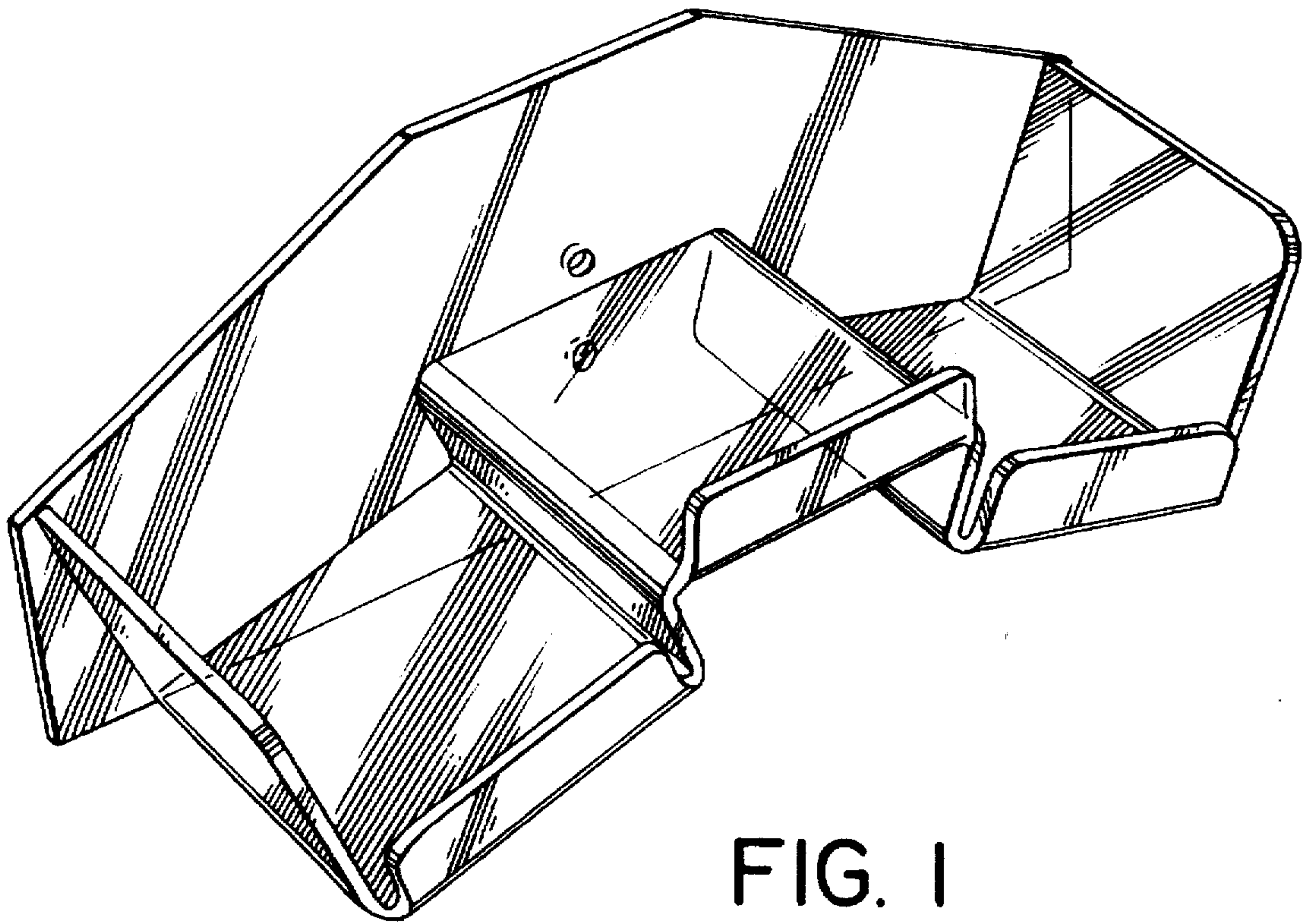


FIG. 1

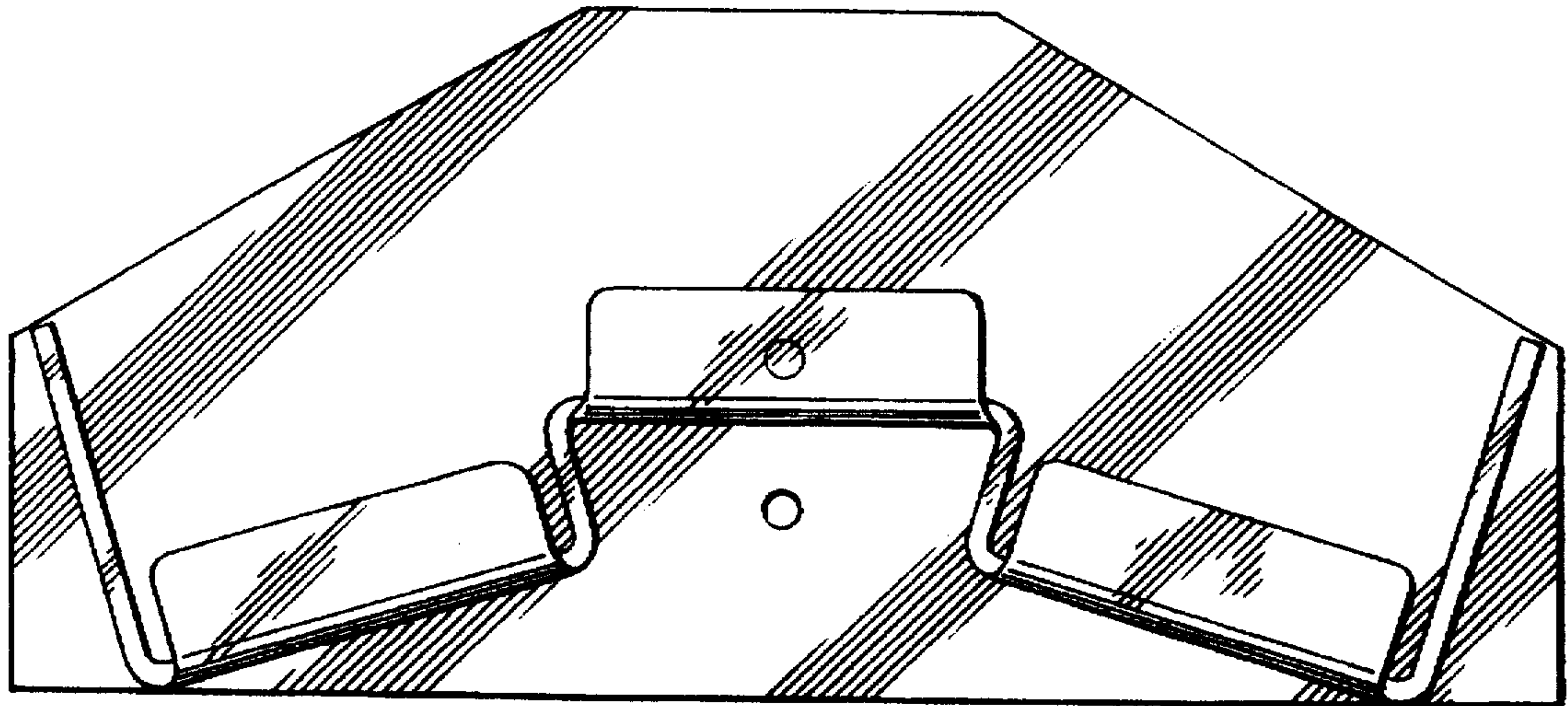


FIG. 2

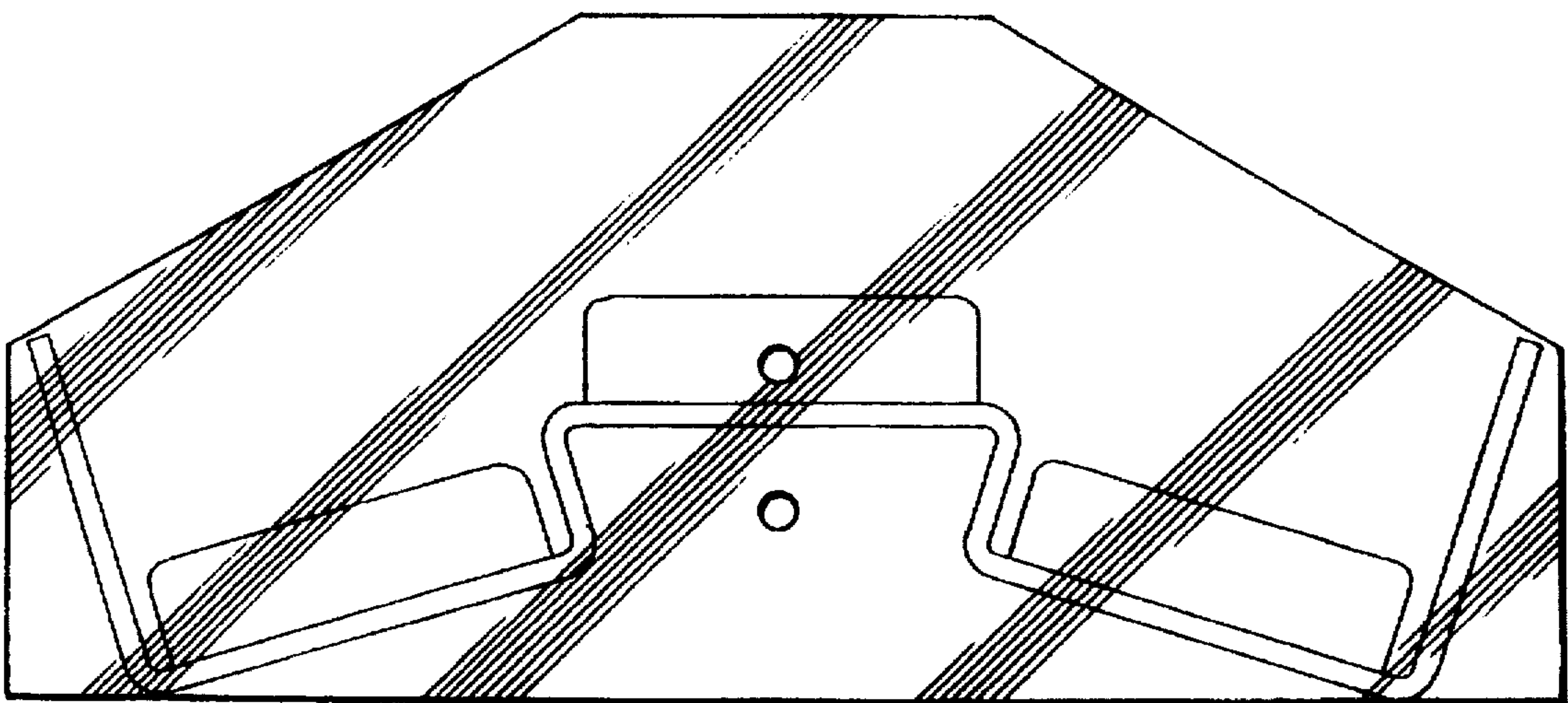


FIG. 3

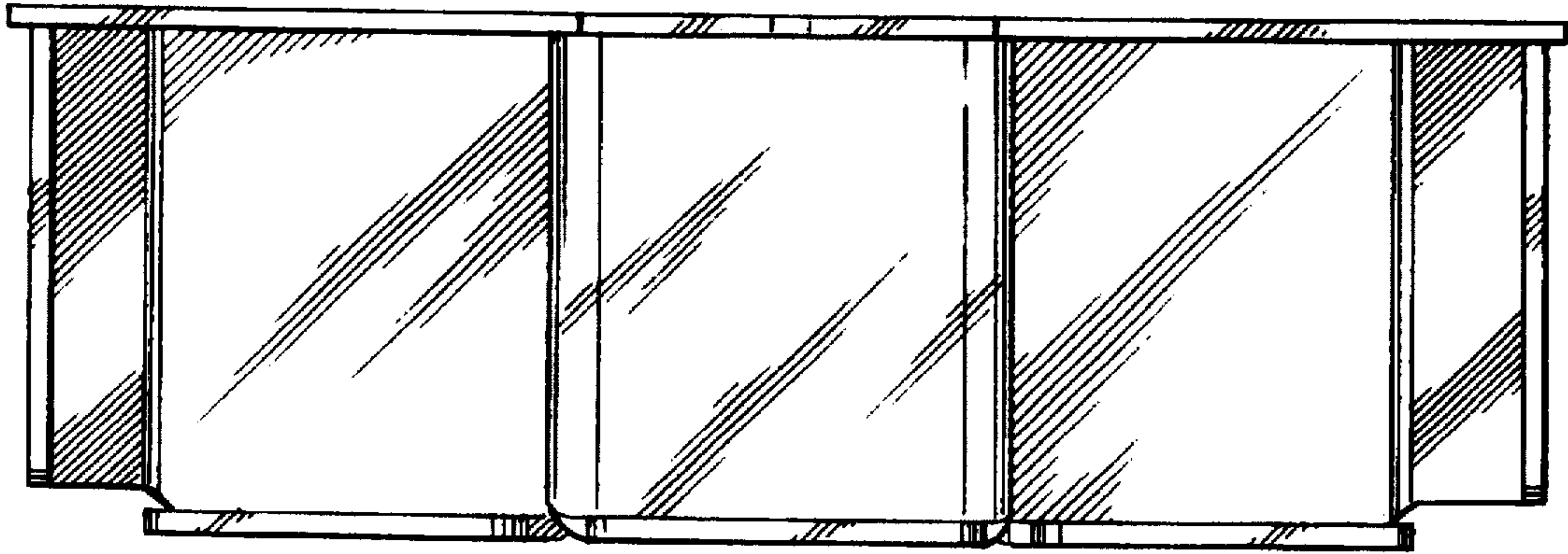


FIG. 4

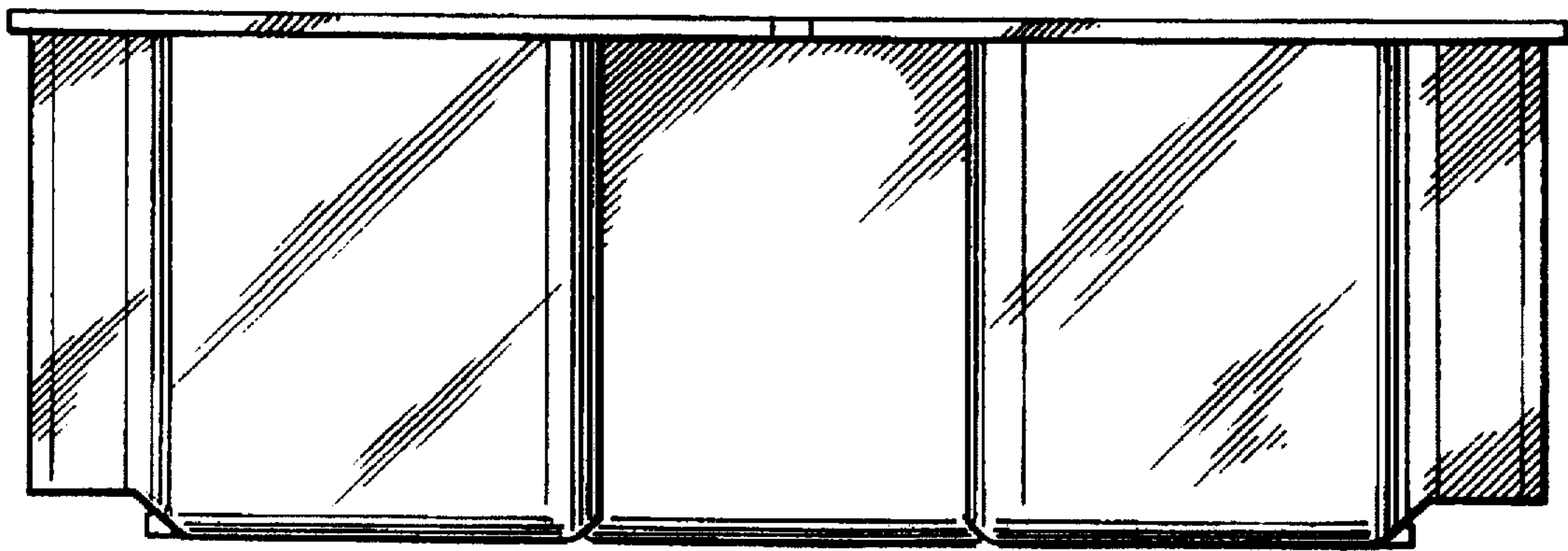


FIG. 5

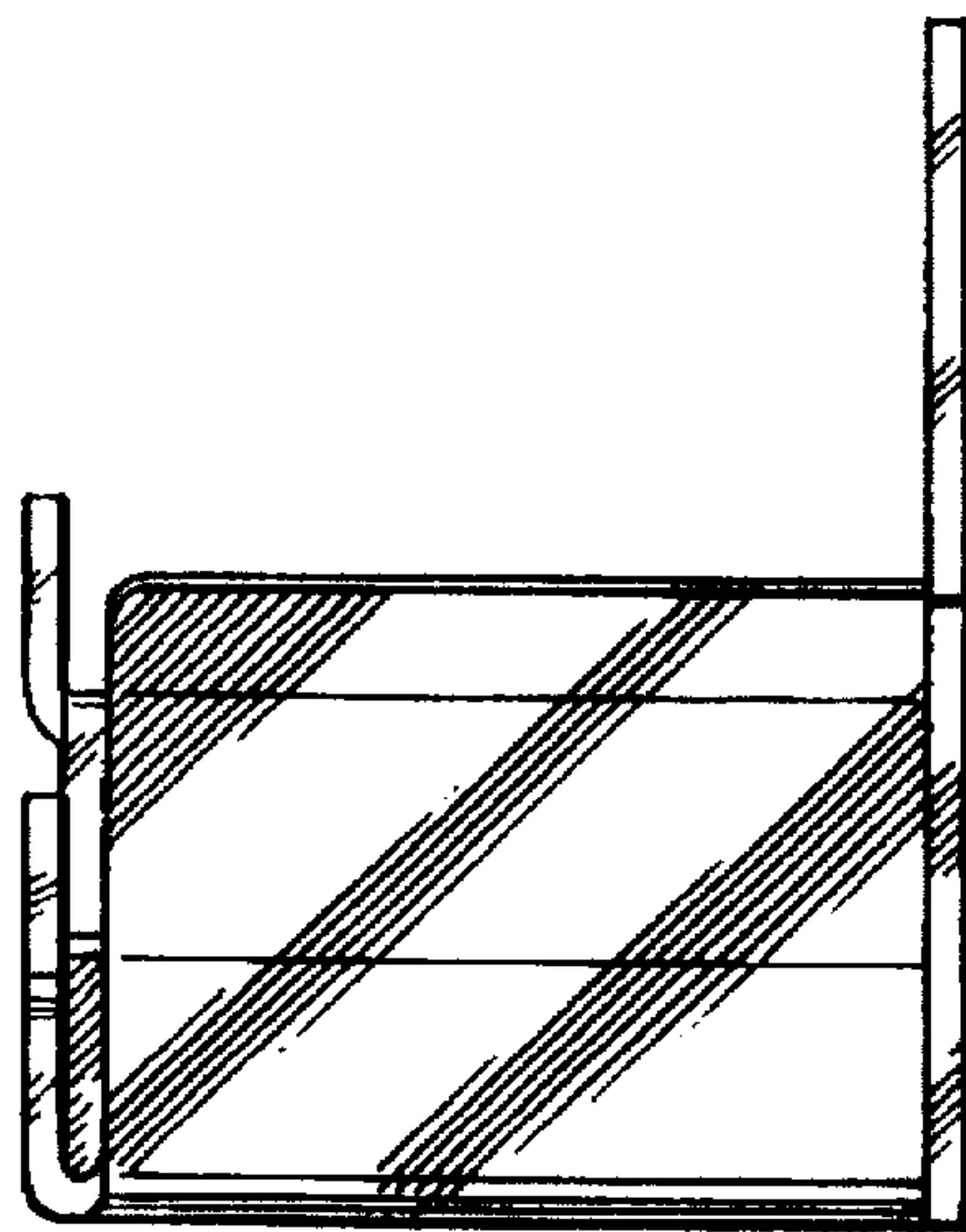


FIG. 6