



US00D393170S

United States Patent [19]
Palka

[11] **Patent Number:** **Des. 393,170**
[45] **Date of Patent:** ****Apr. 7, 1998**

[54] **MIRRORED MEDICINE CABINET WITH LIGHT BRIDGE**

[76] **Inventor:** **James J. Palka**, 22351 W. Thornridge Dr., Kildeer, Ill. 60047

[**] **Term:** **14 Years**

[21] **Appl. No.:** **71,783**

[22] **Filed:** **Jun. 6, 1997**

Related U.S. Application Data

[62] Division of Ser. No. 44,238, Sep. 21, 1995, Pat. No. Des. 386,346.

[51] **LOC (6) Cl.** **08-08**

[52] **U.S. Cl.** **D6/559**

[58] **Field of Search** D6/559-562; 312/34.1, 312/34.4, 114, 224, 227, 242, 245

[56] **References Cited**

U.S. PATENT DOCUMENTS

D. 300,793	4/1989	Sims	D6/559
D. 303,744	10/1989	Turner et al.	D6/559
D. 303,894	10/1989	Baus	D6/559
D. 346,715	5/1994	Palka	D6/561
D. 375,221	11/1996	Palka	D6/561
2,199,731	5/1940	Pryne	312/114 X

Primary Examiner—Brian N. Vinson
Attorney, Agent, or Firm—August E. Roehrig, Jr.

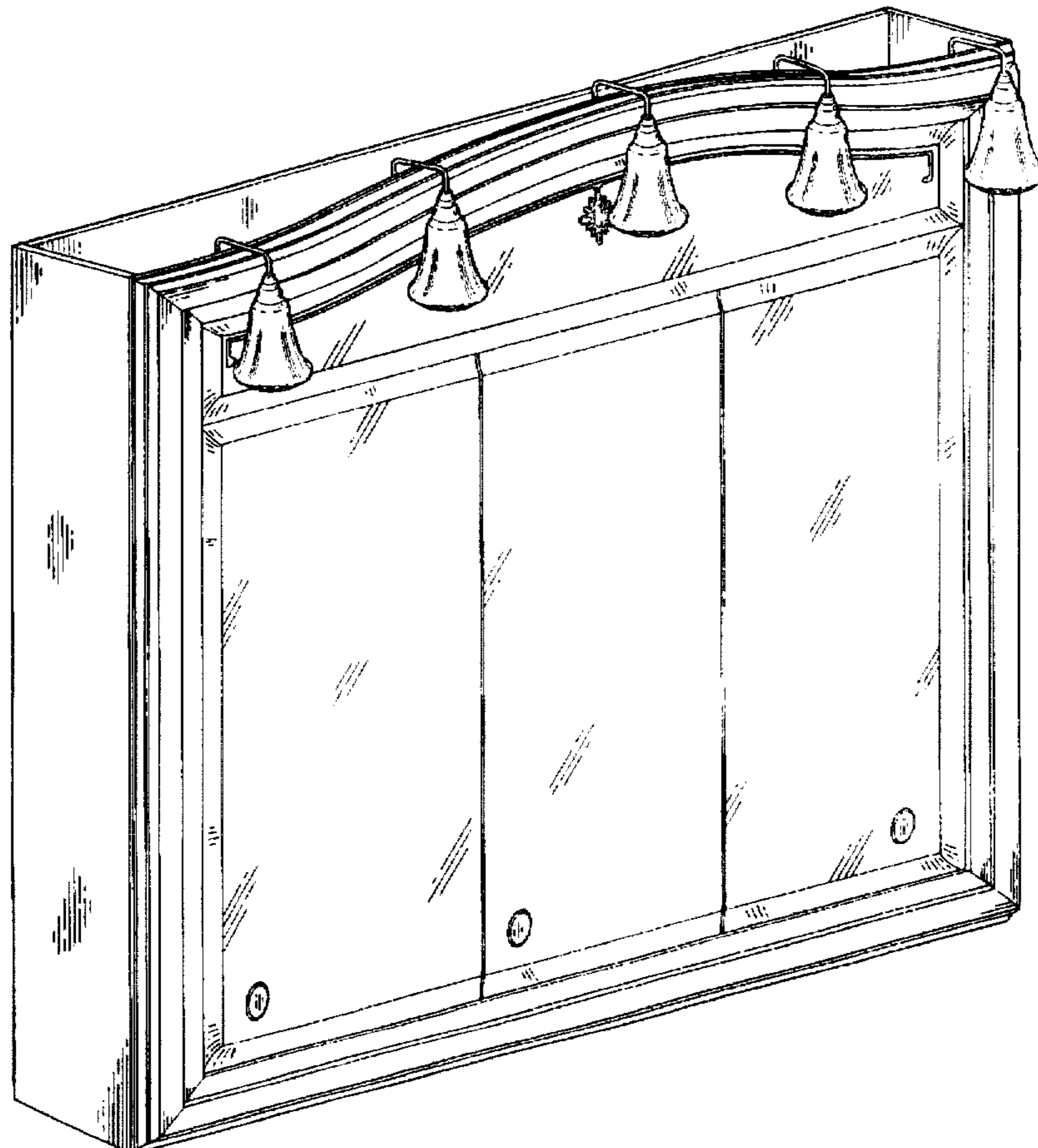
[57] **CLAIM**

The ornamental design for a mirrored medicine cabinet with light bridge, as shown and described.

DESCRIPTION

FIG. 1 is a top, front, and left side perspective view of a mirrored medicine cabinet with light bridge showing my new design;
 FIG. 2 is a front elevational view thereof;
 FIG. 3 is a right side elevational view thereof, the left side being a mirror image thereof;
 FIG. 4 is a top plan view thereof;
 FIG. 5 is a bottom plan view thereof;
 FIG. 6 is an enlarged, fragmentary, cross-sectional view thereof, taken along line 6—6 of FIG. 2;
 FIG. 7 is an enlarged, fragmentary, cross-sectional view thereof, taken along line 7—7 of FIG. 2;
 FIG. 8 is an enlarged, partial, front elevational view of the top portion thereof;
 FIG. 9 is a further enlarged, partial, front elevational view of the center detail of the top portion thereof; and,
 FIG. 10 is a further enlarged, fragmentary, cross-sectional view thereof, taken along line 10—10 of FIG. 9.
 The undisclosed rear surface is plain and unornamented.

1 Claim, 5 Drawing Sheets



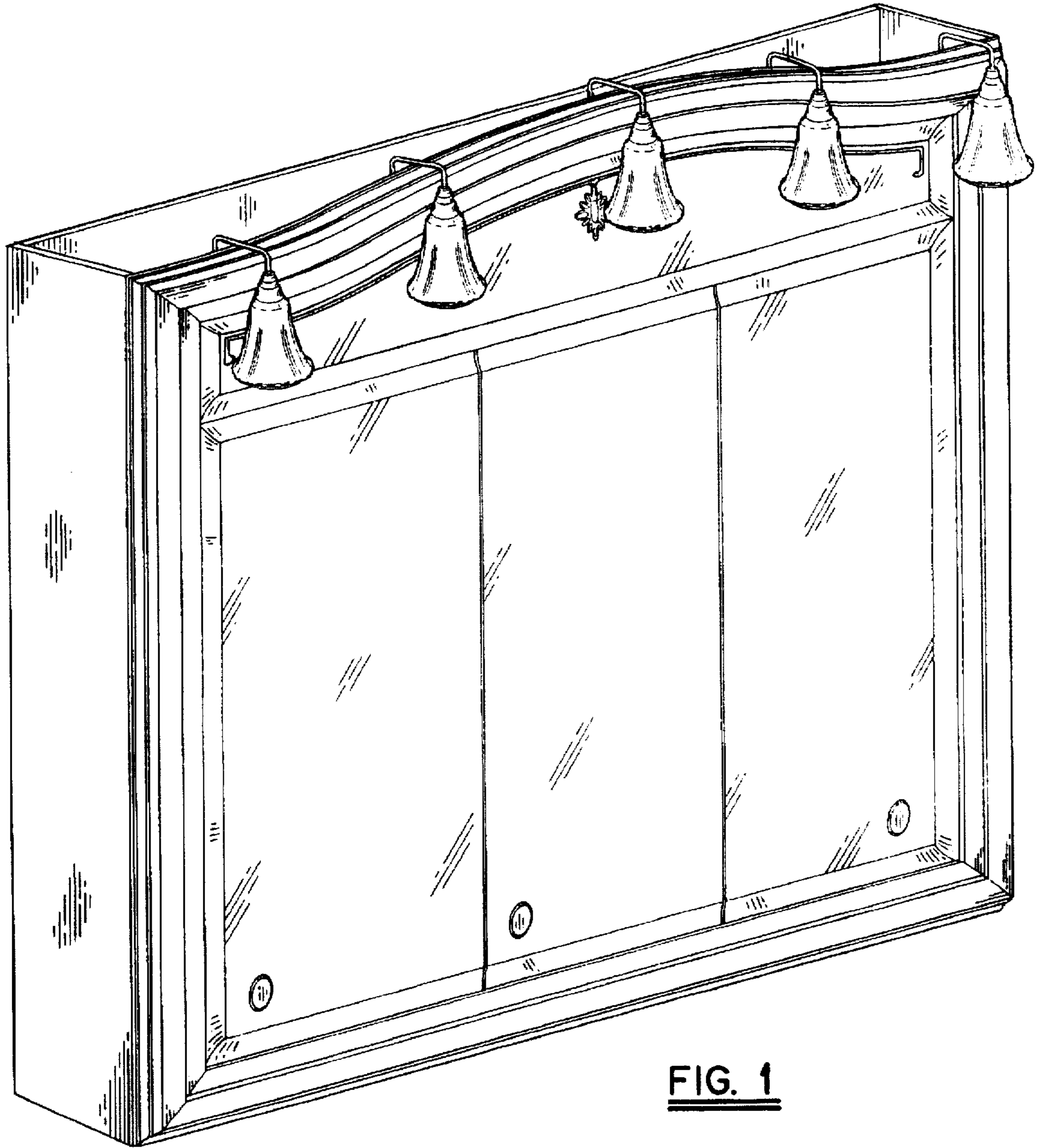


FIG. 1

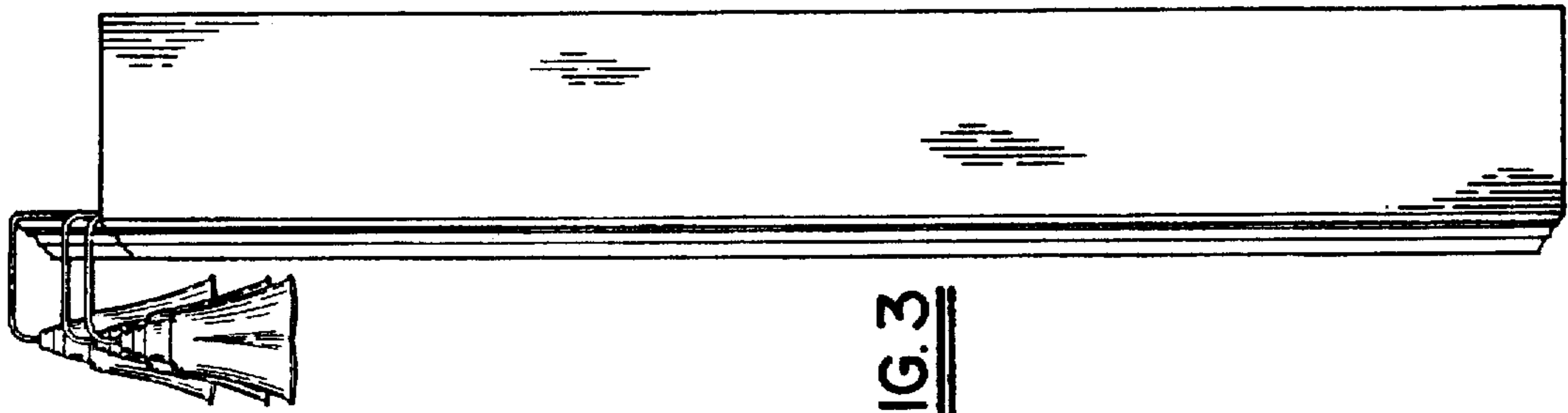


FIG. 3

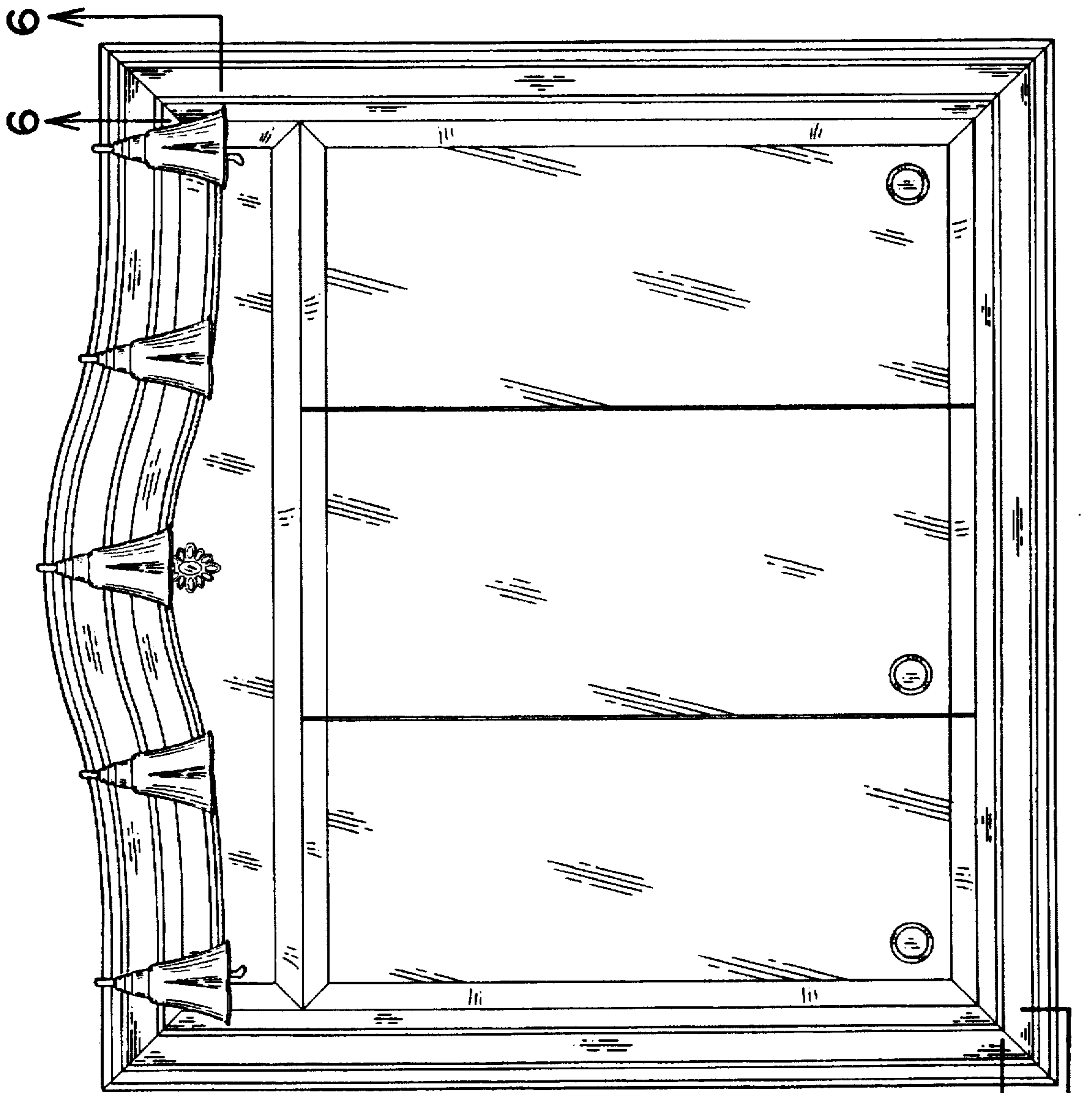


FIG. 2

7
7

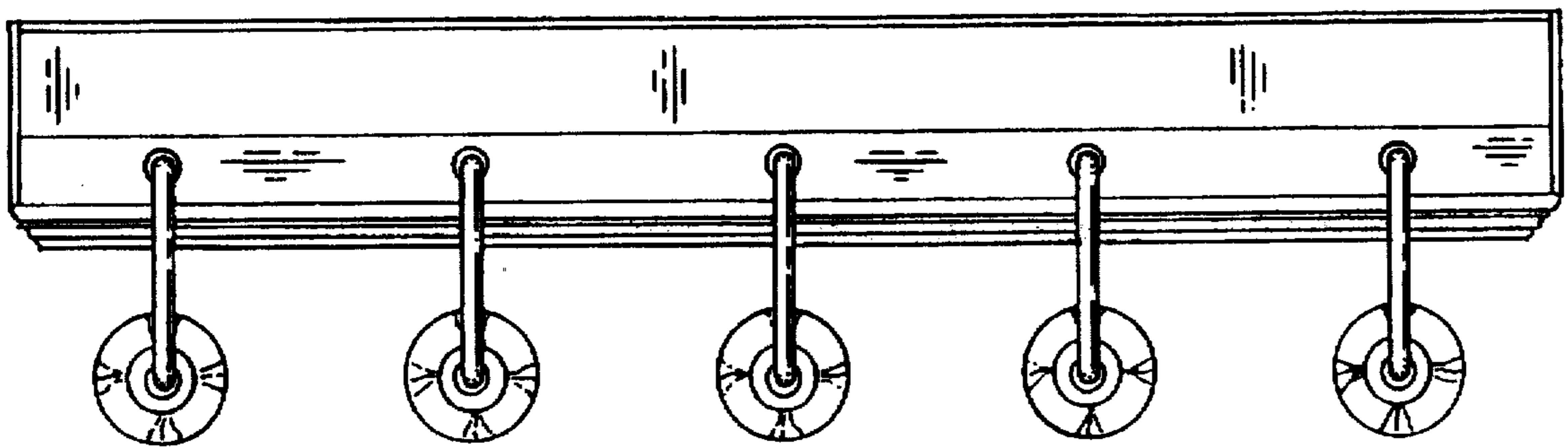


FIG. 4

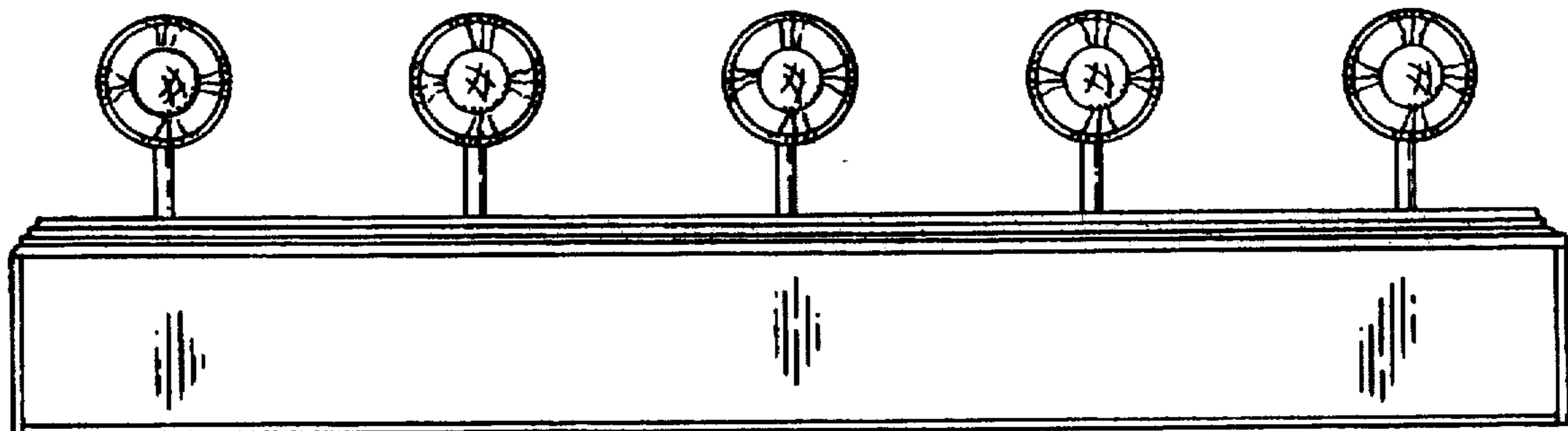


FIG. 5

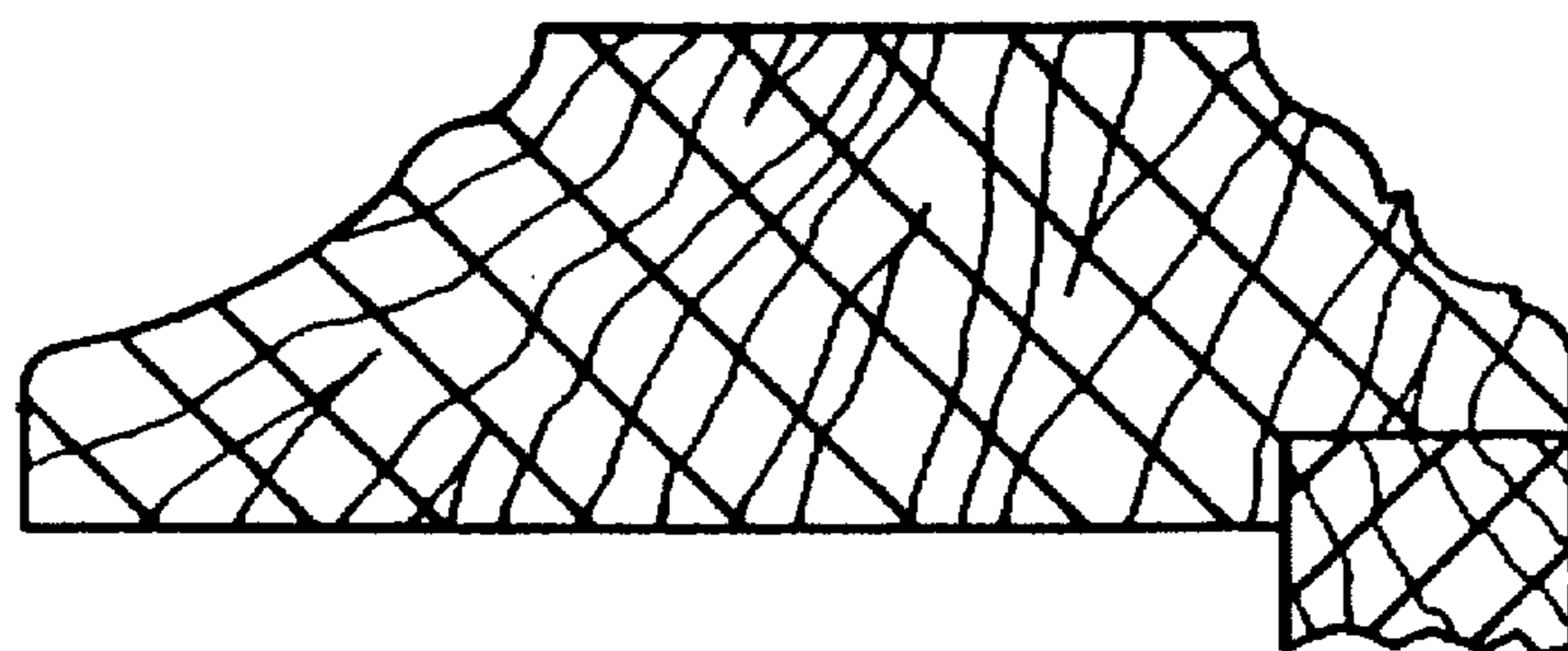


FIG. 6

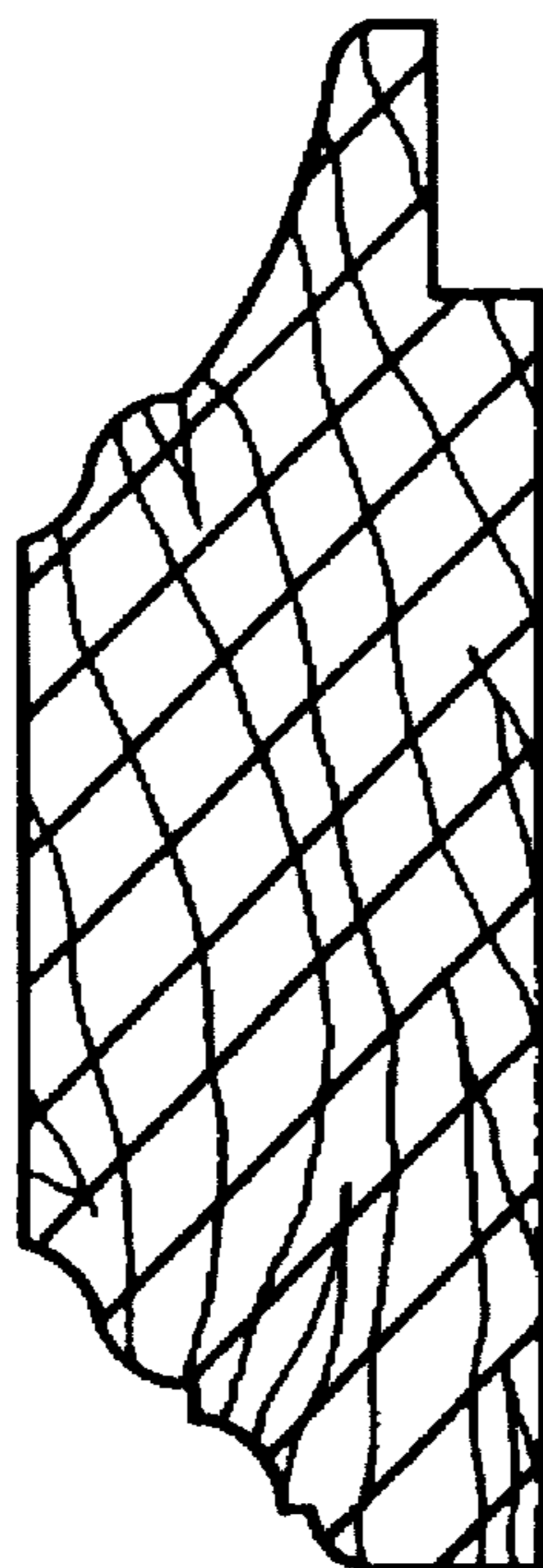


FIG. 7

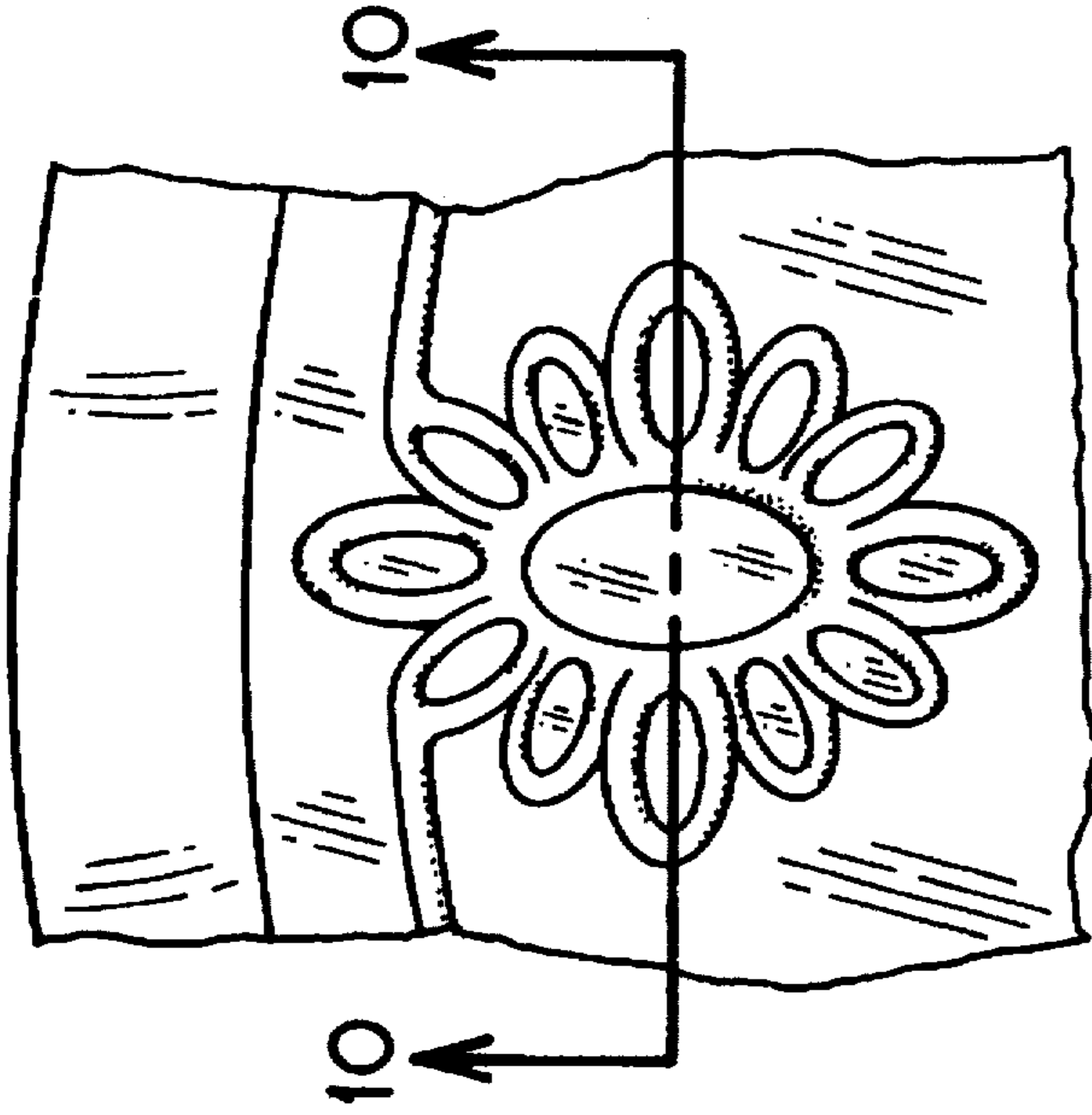


FIG. 10

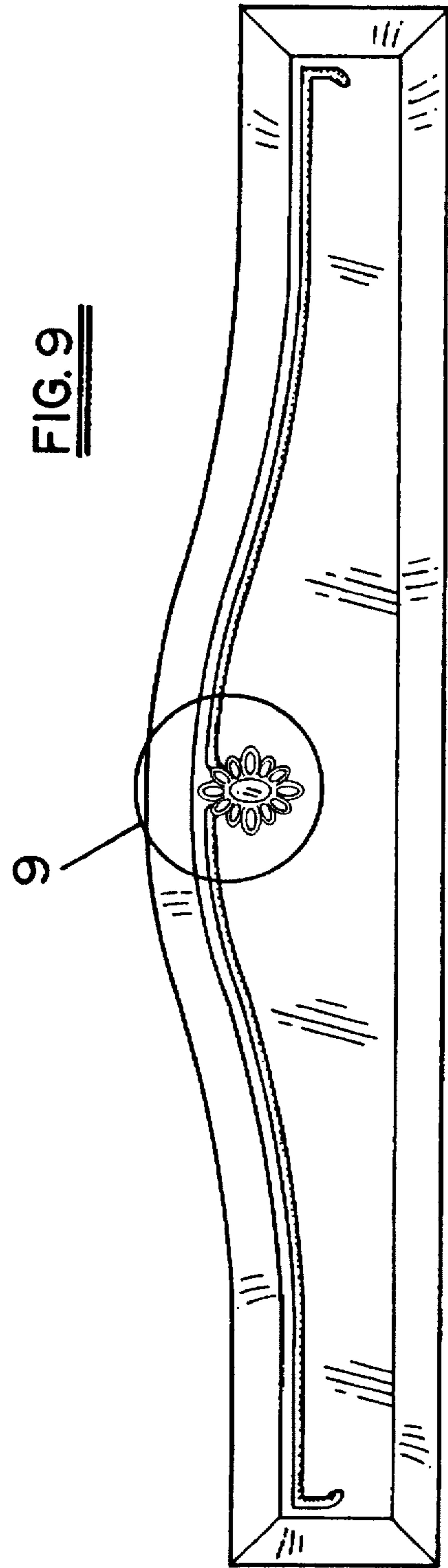


FIG. 9

FIG. 8