



US00D393165S

# United States Patent [19] Jensen

[11] Patent Number: **Des. 393,165**

[45] Date of Patent: **\*\*Apr. 7, 1998**

[54] **TOILET TISSUE HOLDER**

2,576,526 11/1951 Marchand ..... D6/523 X  
4,836,462 6/1989 Bruss ..... 242/598.2

[76] Inventor: **Finn Jensen**, 2906 East Ave., Q3,  
Palmdale, Calif. 93550

*Primary Examiner*—Brian N. Vinson

[\*\*] Term: **14 Years**

[57] **CLAIM**

[21] Appl. No.: **71,947**

The ornamental design for a toilet tissue holder, as shown and described.

[22] Filed: **Jun. 9, 1997**

### DESCRIPTION

[51] LOC (6) Cl. .... **07-07**

FIG. 1 is a front elevational view of the toilet tissue holder showing my new design;

[52] U.S. Cl. .... **D6/523**

FIG. 2 is a rear elevational view thereof;

[58] Field of Search ..... D6/518-523; 242/570,  
242/579, 590, 595, 597, 598, 598.2, 598.3;  
312/34.8

FIG. 3 is a right side view thereof;

FIG. 4 is a left side view thereof;

FIG. 5 is a top plan view thereof;

FIG. 6 is a bottom plan view thereof; and,

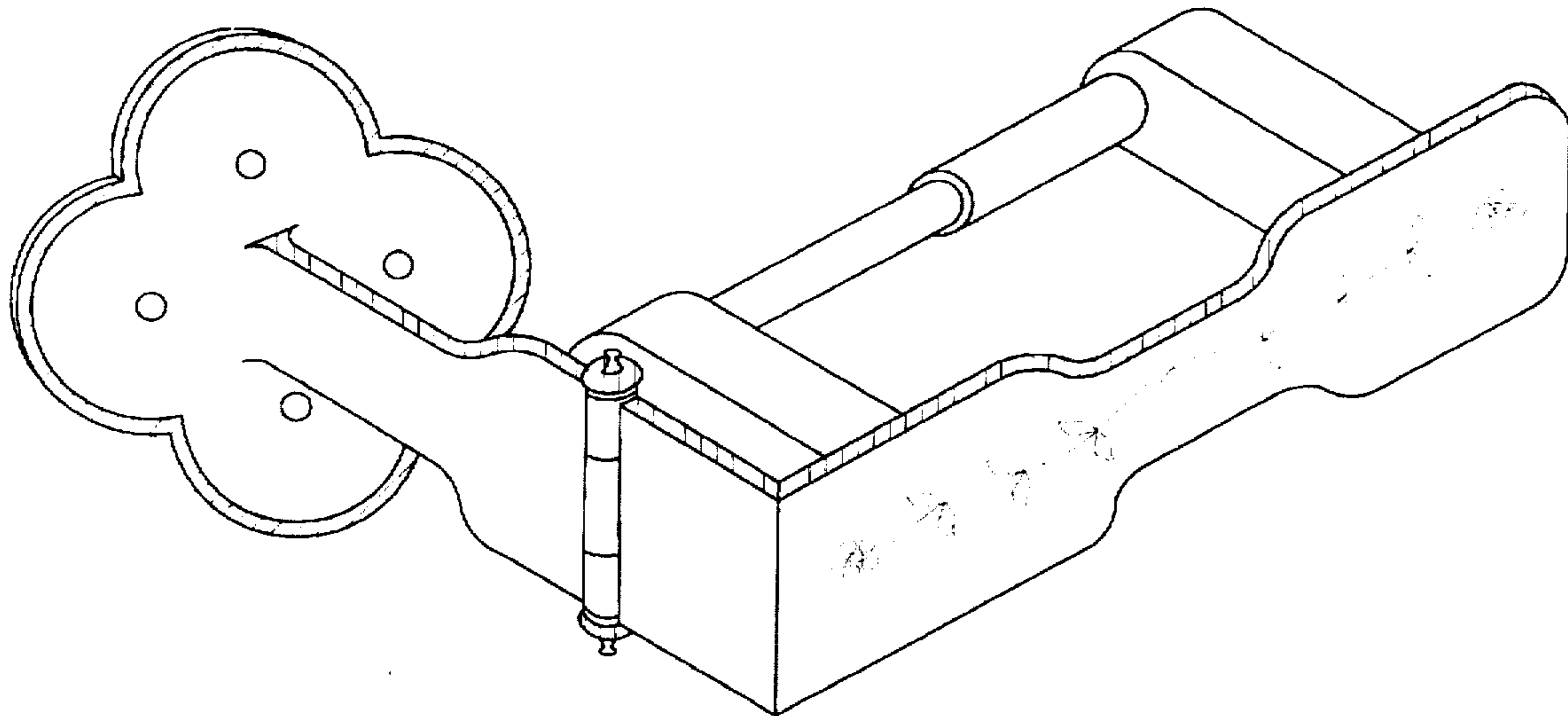
FIG. 7 is an isometric view thereof.

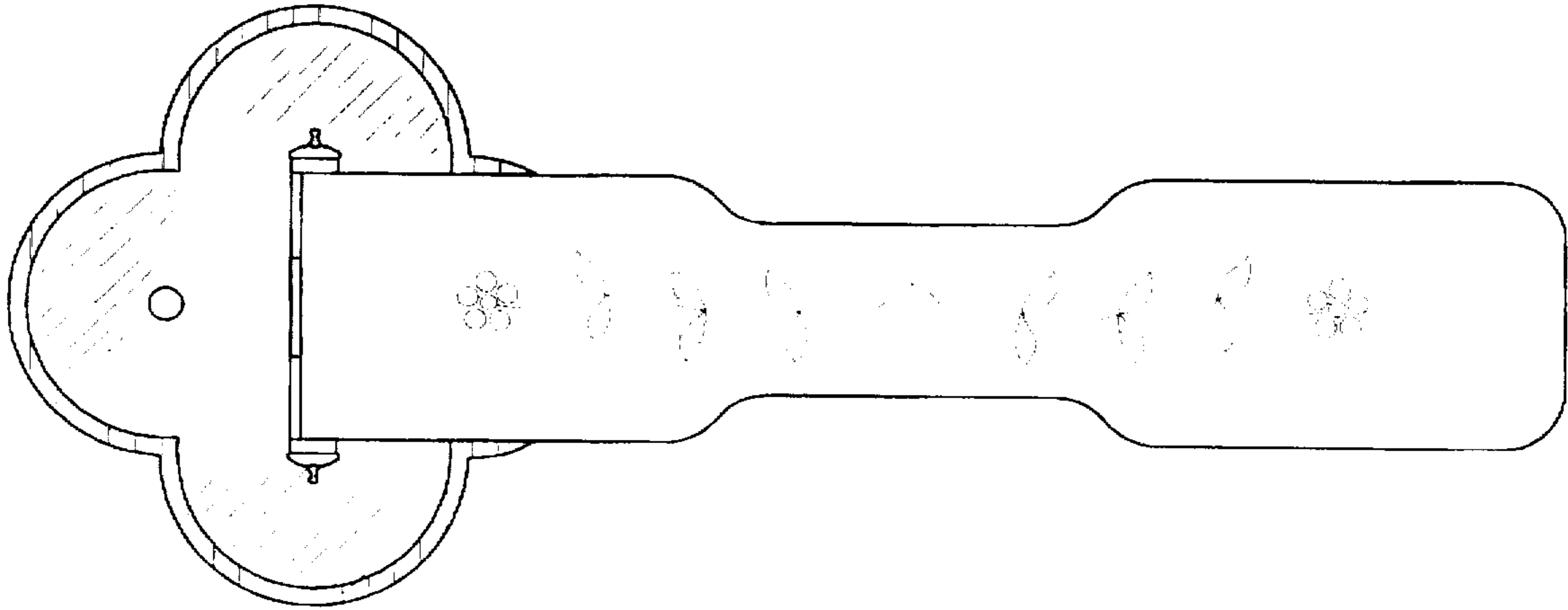
### [56] References Cited

#### U.S. PATENT DOCUMENTS

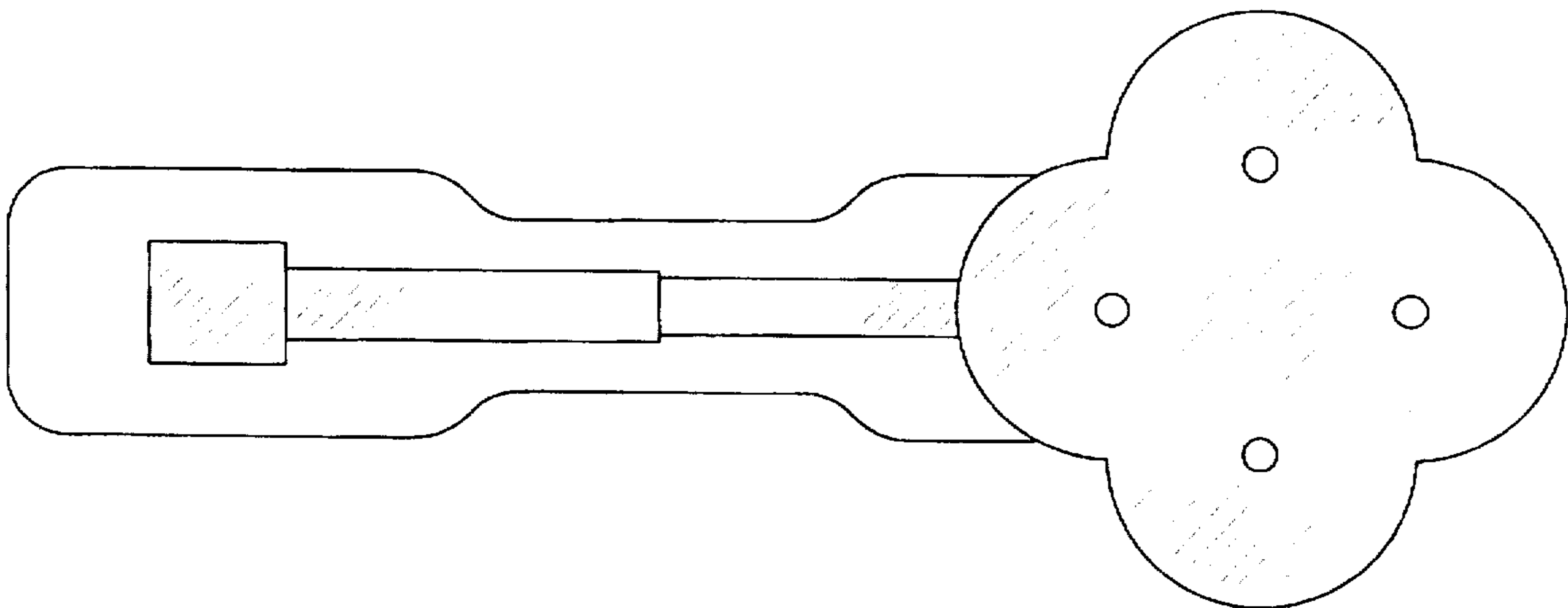
D. 374,585 10/1996 Moon ..... D6/523

**1 Claim, 4 Drawing Sheets**

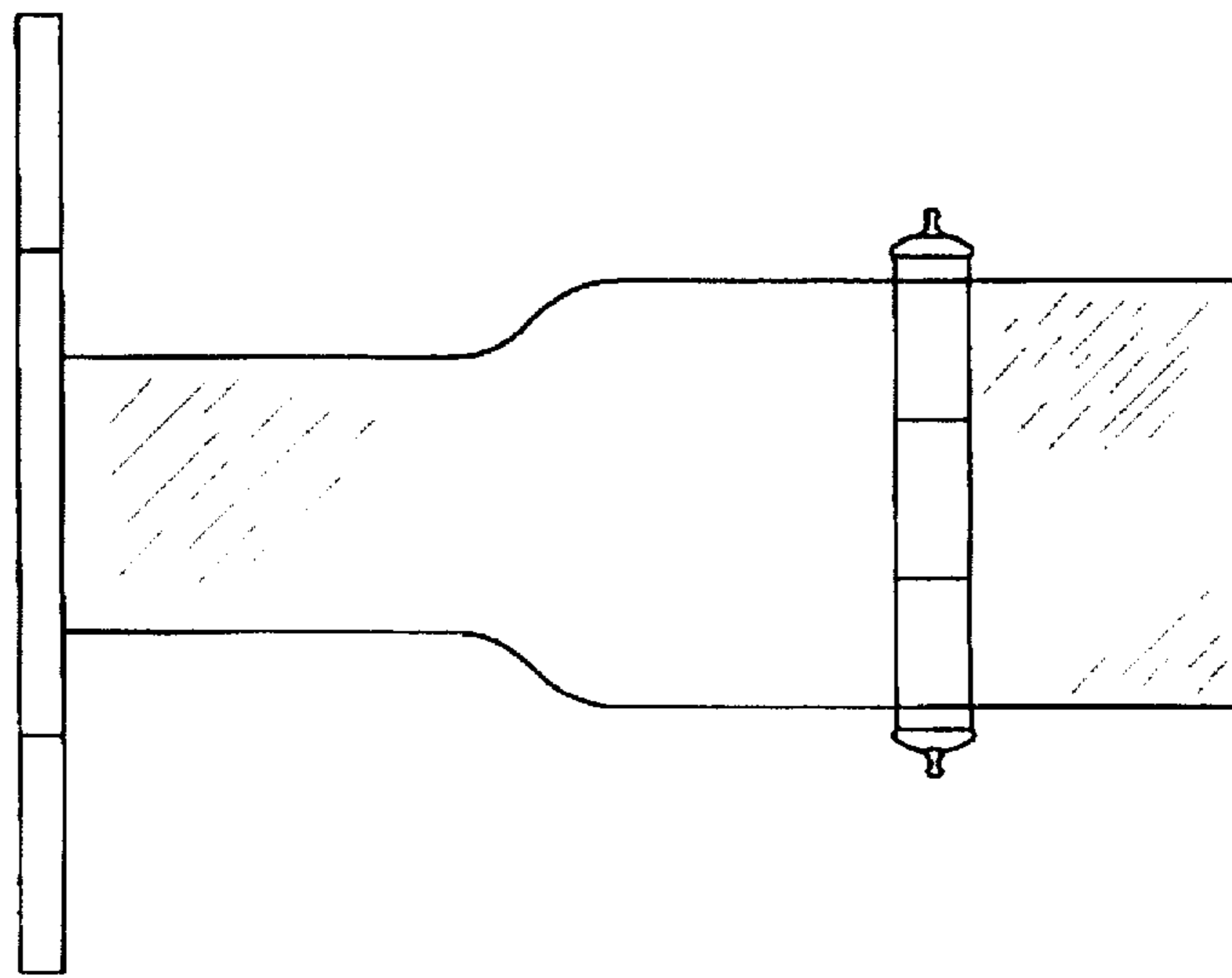




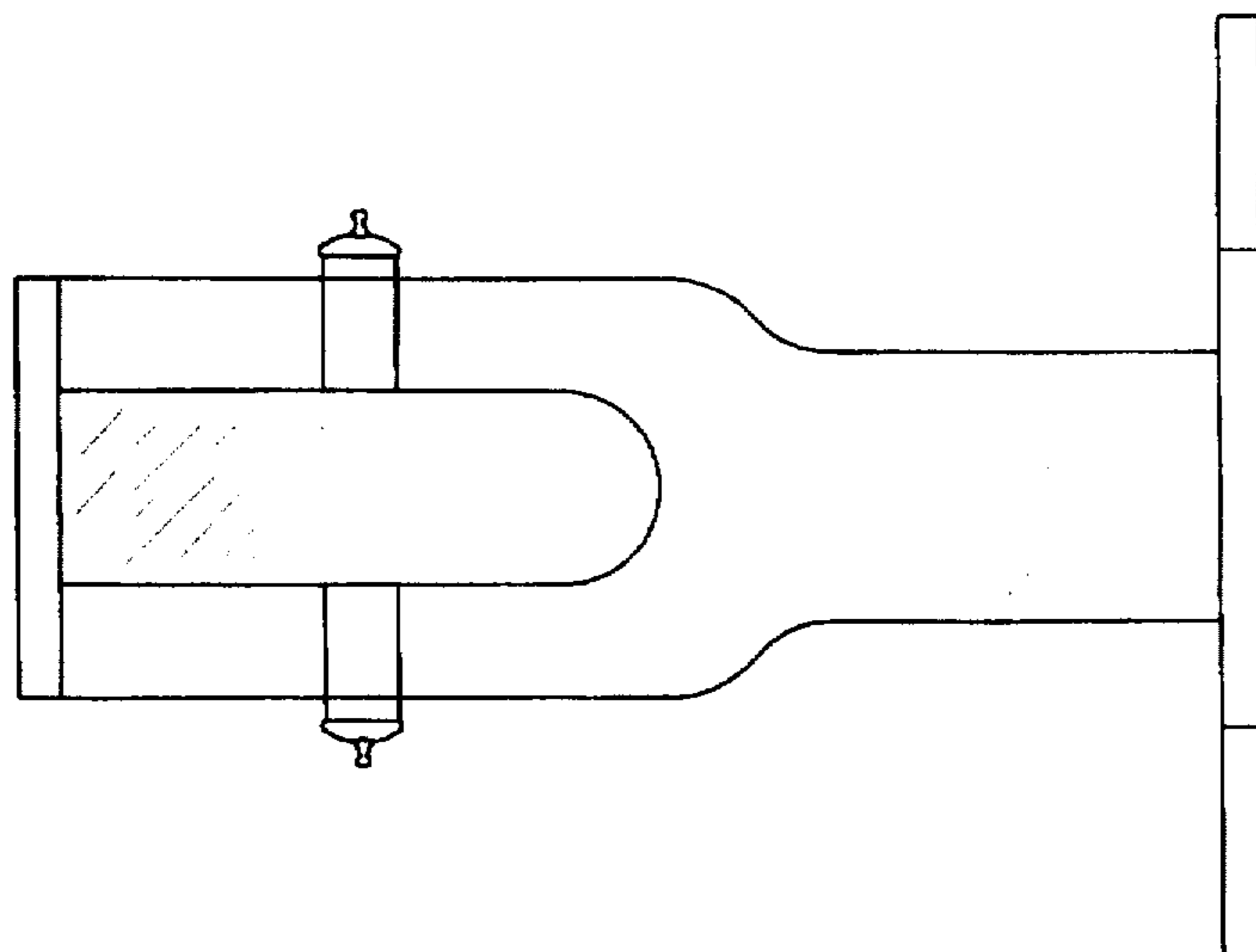
*Fig. 1*



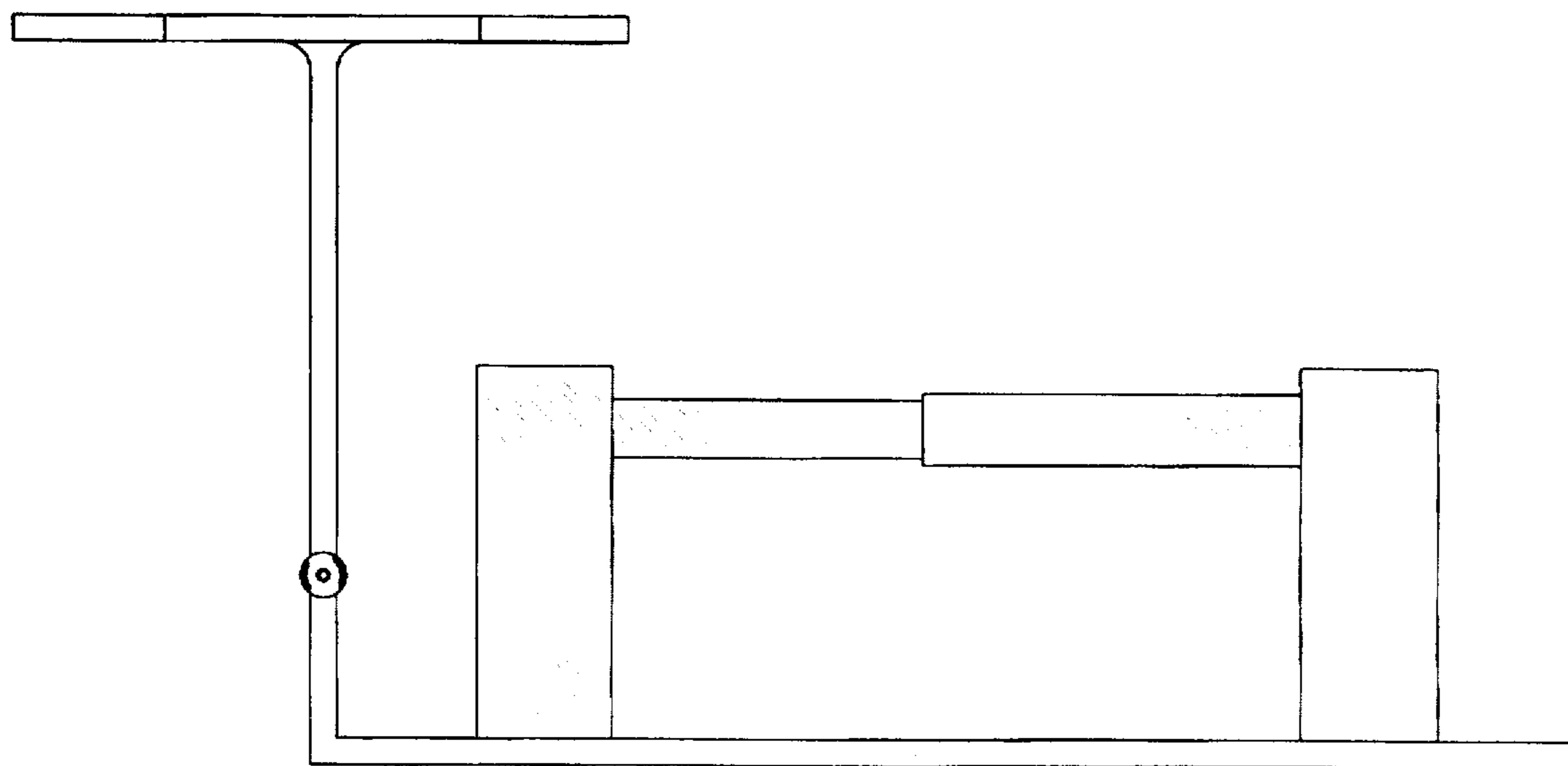
*Fig. 2*



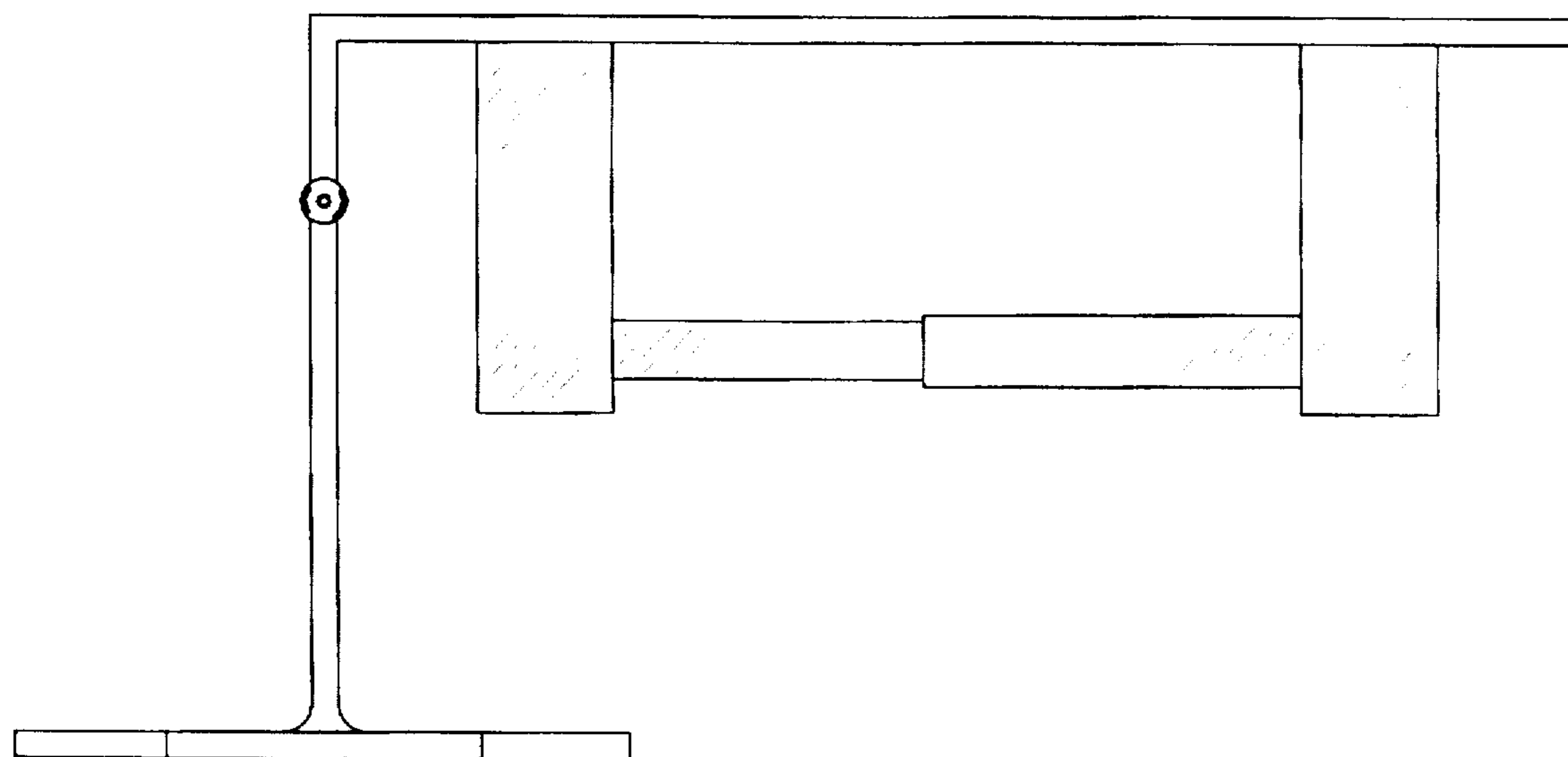
*Fig. 3*



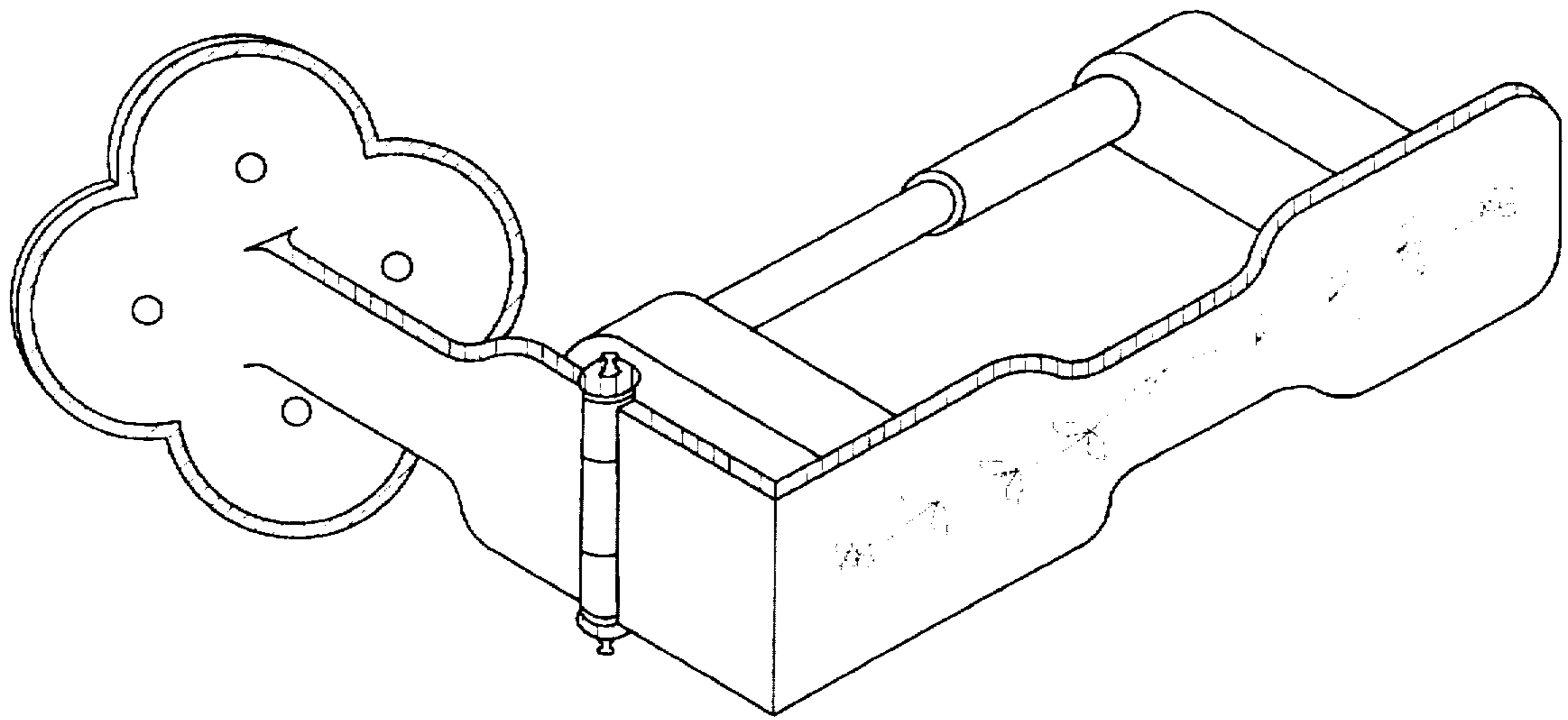
*Fig. 4*



*Fig. 5*



*Fig. 6*



*Fig. 7*